

US00D711529S

(12) **United States Design Patent**
Ozawa et al.

(10) **Patent No.:** **US D711,529 S**
(45) **Date of Patent:** **** Aug. 19, 2014**

(54) **DEVICE FOR ADMINISTERING DRUG SOLUTION**

(75) Inventors: **Hiroshi Ozawa**, Shizuoka (JP); **Akinori Inou**, Shizuoka (JP); **Nobuo Oikawa**, Shizuoka (JP); **Akihiko Ikeda**, Shizuoka (JP); **Masahiro Takigawa**, Shizuoka (JP)

(73) Assignee: **Nanbu Plastics Co., Ltd.**, Shizuoka (JP)

(**) Term: **14 Years**

(21) Appl. No.: **29/419,248**

(22) Filed: **Apr. 26, 2012**

(30) **Foreign Application Priority Data**

Nov. 2, 2011 (JP) 2011-25444

(51) **LOC (10) Cl.** **29-02**

(52) **U.S. Cl.**
CPC **A61M 15/00** (2013.01)
USPC **D24/110.4**

(58) **Field of Classification Search**
CPC A61M 15/00–15/0065; A61M 15/0091–15/0098
USPC D24/110–110.4; 128/203.29, 205.25
See application file for complete search history.

(56) **References Cited**

U.S. PATENT DOCUMENTS

D282,209 S * 1/1986 Newell et al. D24/110
4,822,344 A * 4/1989 O'Boyle 604/248
5,137,529 A * 8/1992 Watson et al. 604/891.1
5,165,391 A * 11/1992 Chiesi et al. 128/200.23
D343,701 S * 1/1994 Dahlstrand D24/110.1

D347,495 S * 5/1994 Baldwin D24/110.1
D358,880 S * 5/1995 Mulhauser et al. D24/110
5,540,223 A * 7/1996 Starr et al. 128/205.25
D388,873 S * 1/1998 Richards et al. D24/110.4
7,258,118 B2 * 8/2007 Goede et al. 128/203.19
D577,815 S * 9/2008 Gokhale et al. D24/110
D582,031 S * 12/2008 Sorensen et al. D24/110.4
D598,537 S * 8/2009 Nashed D24/110.1
D604,832 S * 11/2009 Smutney et al. D24/110
D613,849 S * 4/2010 Smutney et al. D24/110
D619,245 S * 7/2010 Moga et al. D24/113
D638,534 S * 5/2011 Moga et al. D24/113
D693,000 S * 11/2013 Shahaf D24/110.4

* cited by examiner

Primary Examiner — Richard E. Chilcot

(74) *Attorney, Agent, or Firm* — Renner, Otto, Boisselle & Sklar, LLP

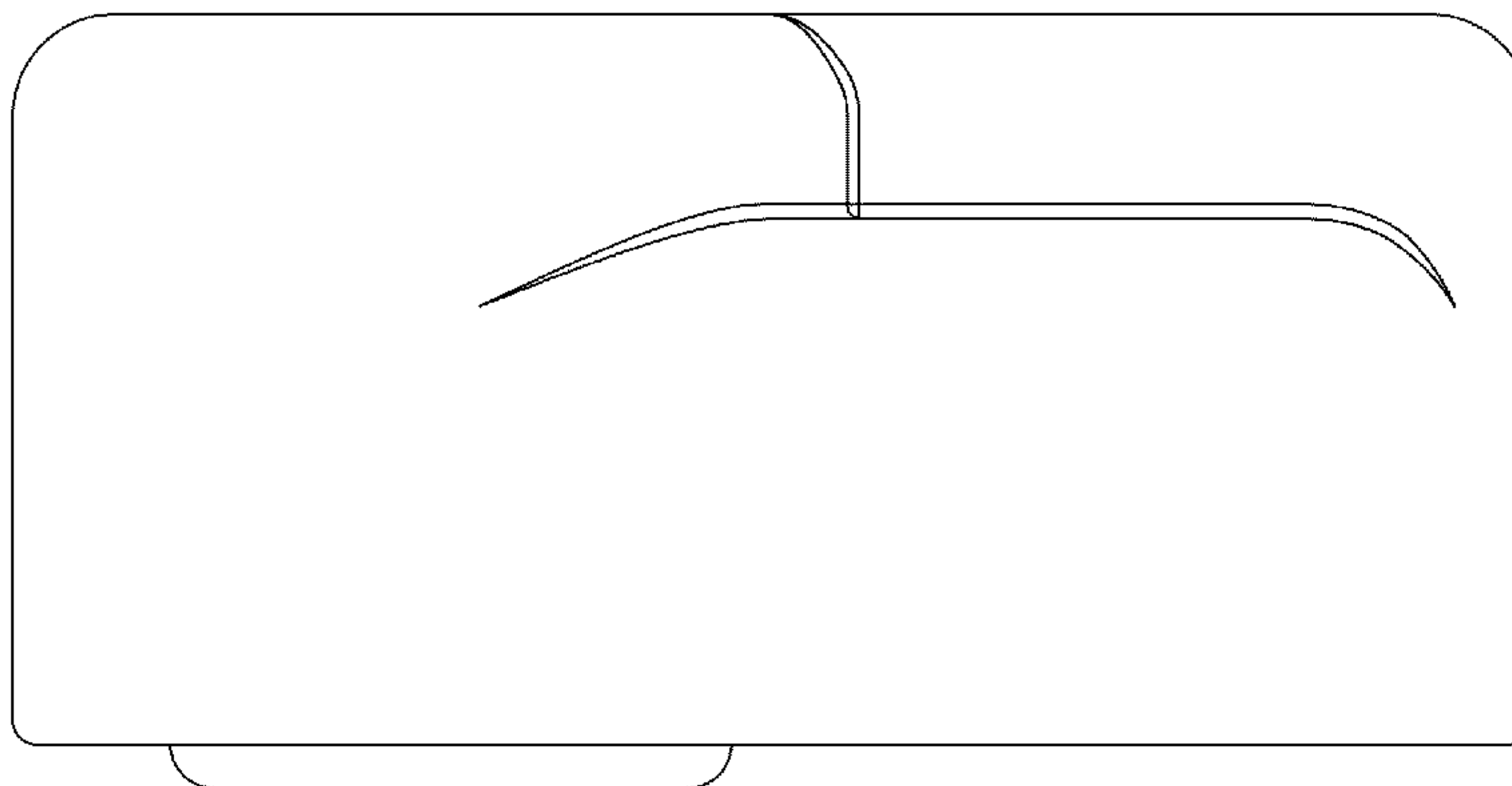
(57) **CLAIM**

The ornamental design for a device for administering drug solution, as shown and described.

DESCRIPTION

FIG. 1 is a front view of a device for administering drug solution showing our design, a rear view thereof being a mirror image thereof;
FIG. 2 is a top view thereof;
FIG. 3 is a bottom view thereof;
FIG. 4 is a right side view thereof;
FIG. 5 is a left side view thereof; and,
FIGS. 6 and 7 are cross-sections respectively taken along the lines A-A and B-B in FIG. 2, the views of FIGS. 6 and 7 being completely in broken line and for reference only.
The broken lines herein show environmental structure and form no part of the claimed design.

1 Claim, 4 Drawing Sheets



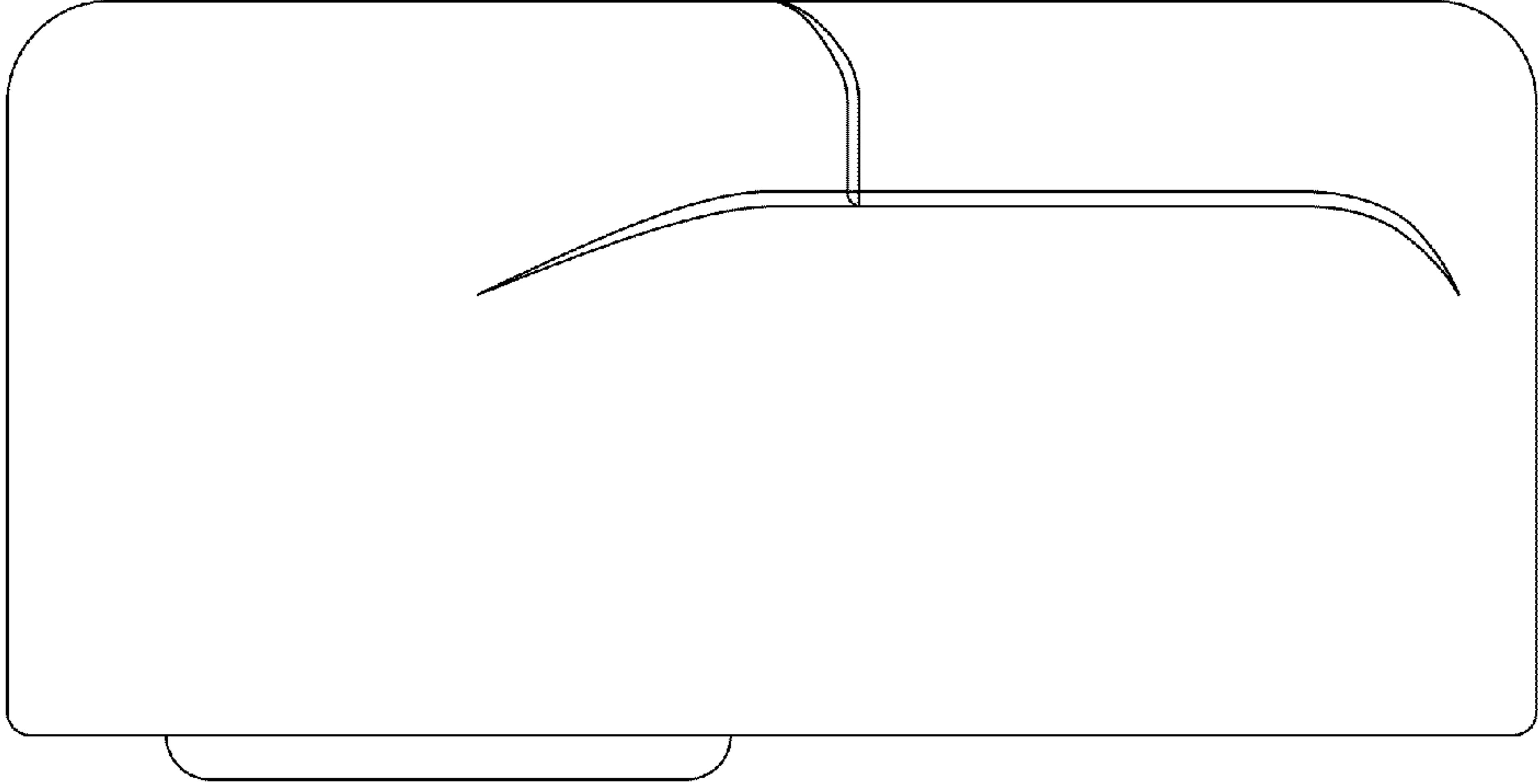


FIG. 1

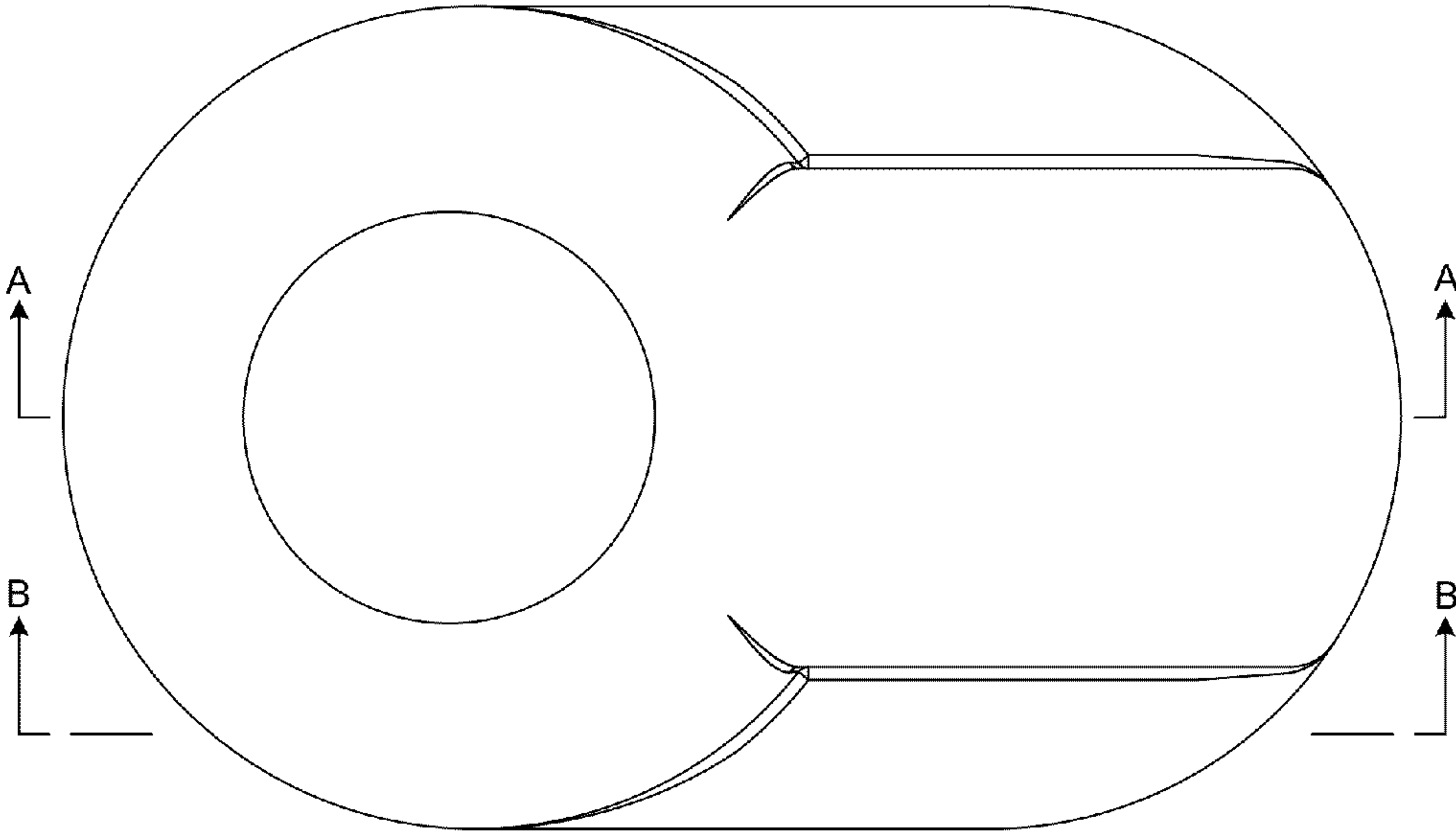


FIG. 2

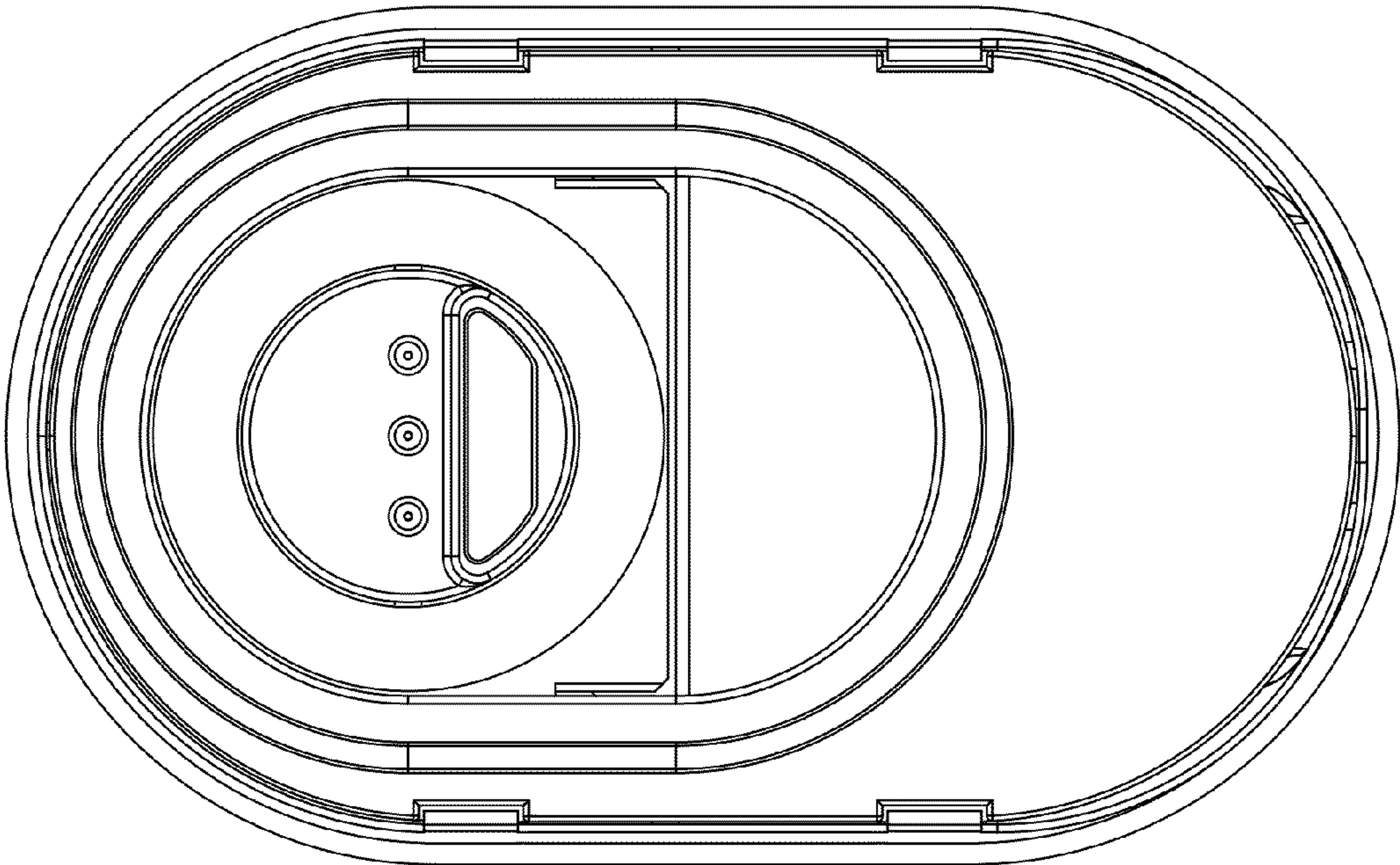


FIG. 3

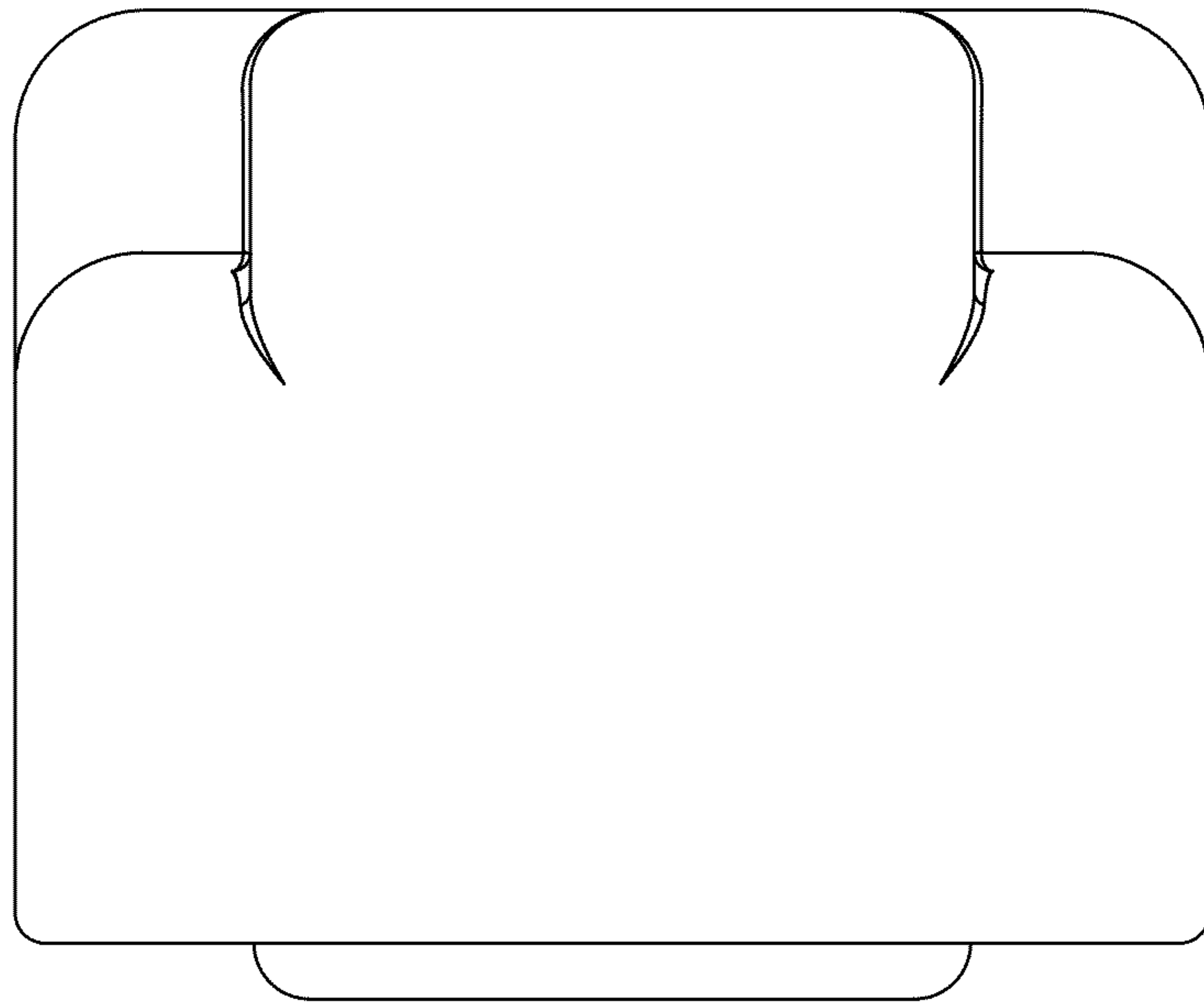


FIG. 4

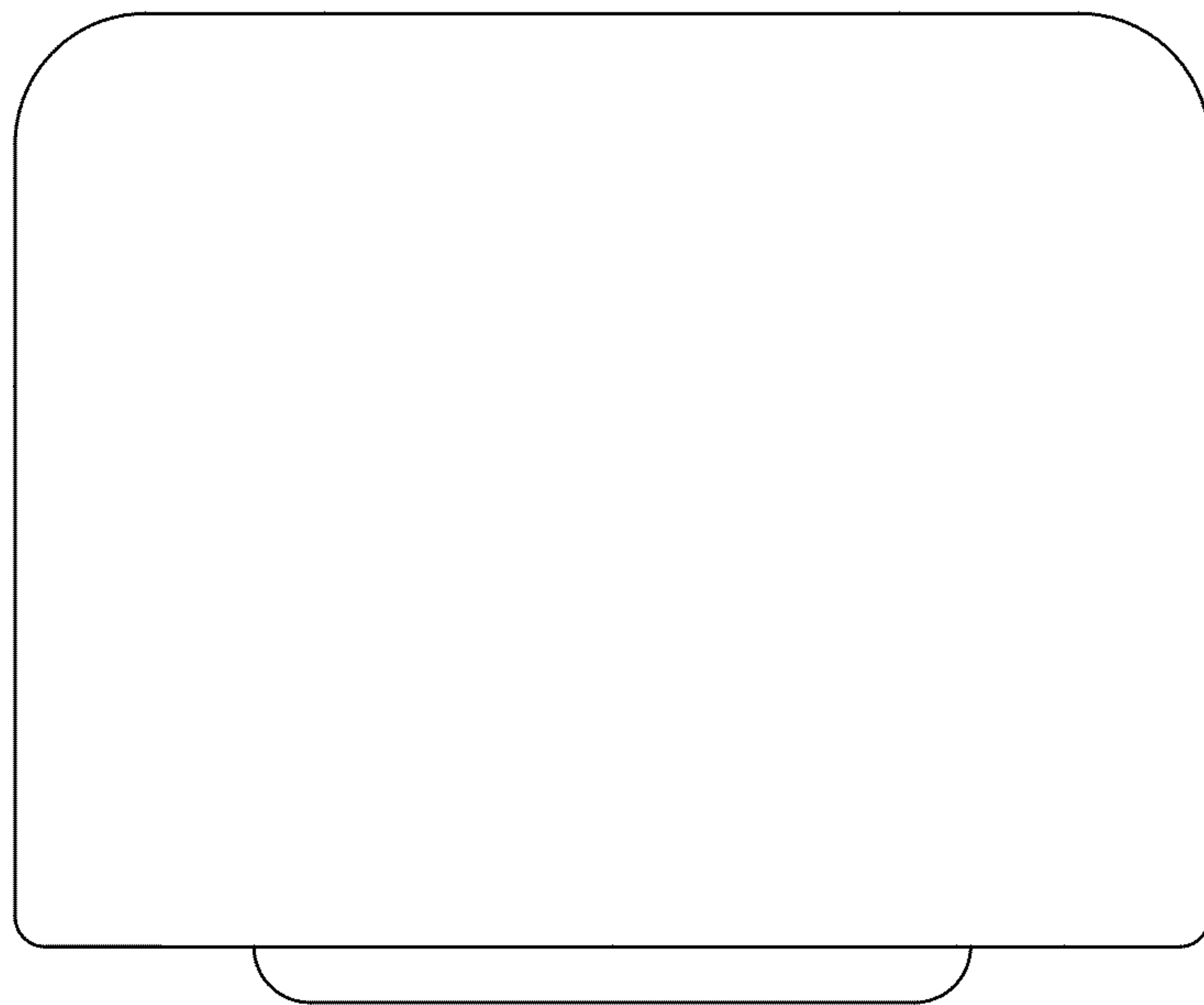


FIG. 5

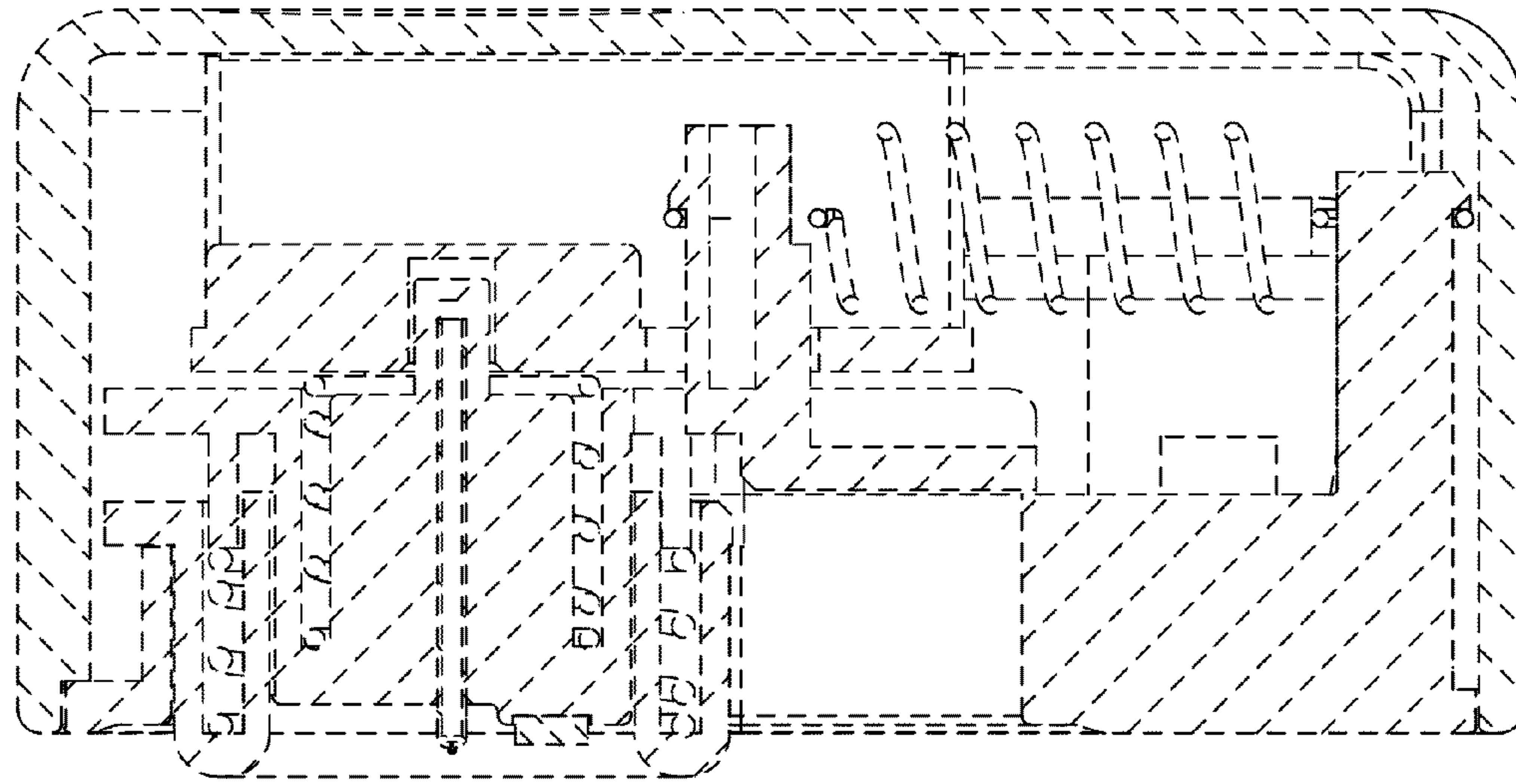


FIG. 6

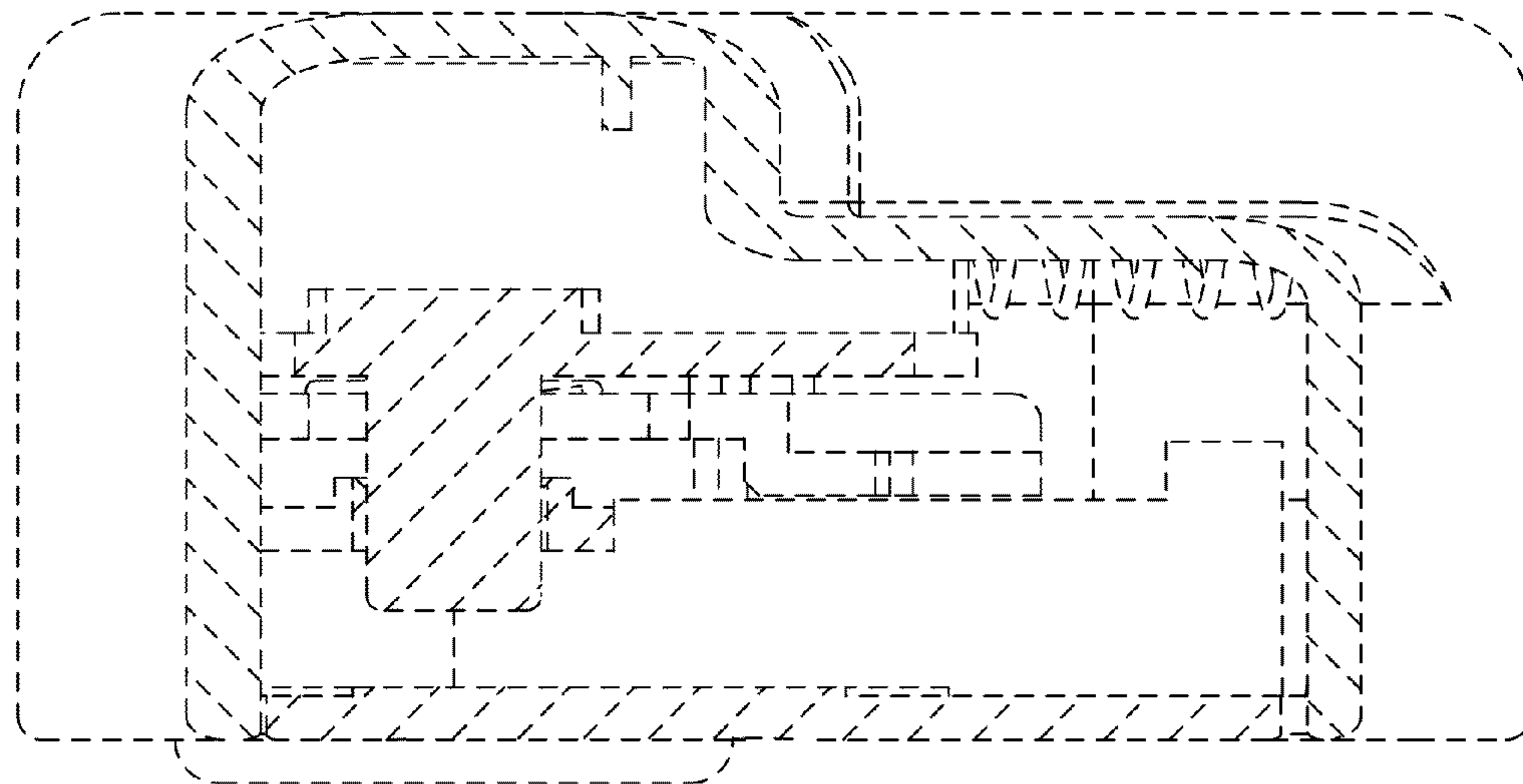


FIG. 7