



US00D711523S

(12) **United States Design Patent**
Hsiao

(10) **Patent No.:** **US D711,523 S**

(45) **Date of Patent:** **** Aug. 19, 2014**

(54) **ANGLE-ADJUSTABLE AROMA DIFFUSING APPARATUS**

(71) Applicant: **Serene House International Enterprise Ltd.**, Road Town (VG)

(72) Inventor: **Ming Jen Hsiao**, Miaoli (TW)

(73) Assignee: **Serene House International Enterprise Ltd.**, Road Town (VG)

(**) Term: **14 Years**

(21) Appl. No.: **29/478,015**

(22) Filed: **Dec. 30, 2013**

Related U.S. Application Data

(63) Continuation-in-part of application No. 13/870,829, filed on Apr. 25, 2013, and a continuation-in-part of application No. 13/669,411, filed on Nov. 5, 2012, and a continuation-in-part of application No. 13/669,402, filed on Nov. 5, 2012.

(51) **LOC (10) Cl.** **28-99**

(52) **U.S. Cl.**
USPC **D23/366**

(58) **Field of Classification Search**
USPC D23/355-369; D28/5, 6; 261/DIG. 17, 261/DIG. 42, DIG. 65, DIG. 88, DIG. 89; 392/386, 390, 394, 395; 239/34, 44, 239/53, 55, 56, 326; D26/14, 17, 98, 9, 22, D26/24; D11/131.1; D7/509, 522, 524, 537
See application file for complete search history.

(56) **References Cited**

U.S. PATENT DOCUMENTS

D306,644 S * 3/1990 Luthy D23/366
4,968,456 A * 11/1990 Muderlak et al. 422/122

D314,044 S * 1/1991 Montanari D23/366
D315,789 S * 3/1991 Muderlak D23/366
5,394,506 A * 2/1995 Stein et al. 392/395
D389,233 S * 1/1998 Smith et al. D23/367
D390,939 S * 2/1998 Colandro D23/366
D418,213 S * 12/1999 Colandro D23/366
D418,214 S * 12/1999 Cloutier D23/366
6,092,260 A * 7/2000 Kai 15/320
D432,638 S * 10/2000 Smith D23/367
D442,683 S * 5/2001 Wu D23/366
D482,768 S * 11/2003 Chen D23/366
D485,342 S * 1/2004 Collazo D23/366
D486,213 S * 2/2004 Novak D23/366
D532,892 S * 11/2006 Koon D23/366
D575,383 S * 8/2008 Dalal D23/366
D630,719 S * 1/2011 Wu D23/366
D646,370 S * 10/2011 Kuo D23/366
D692,548 S 10/2013 Wirz
D692,550 S 10/2013 Wirz

* cited by examiner

Primary Examiner — Sandra Snapp

(74) *Attorney, Agent, or Firm* — Ming Chow; Sinorica, LLC

(57) **CLAIM**

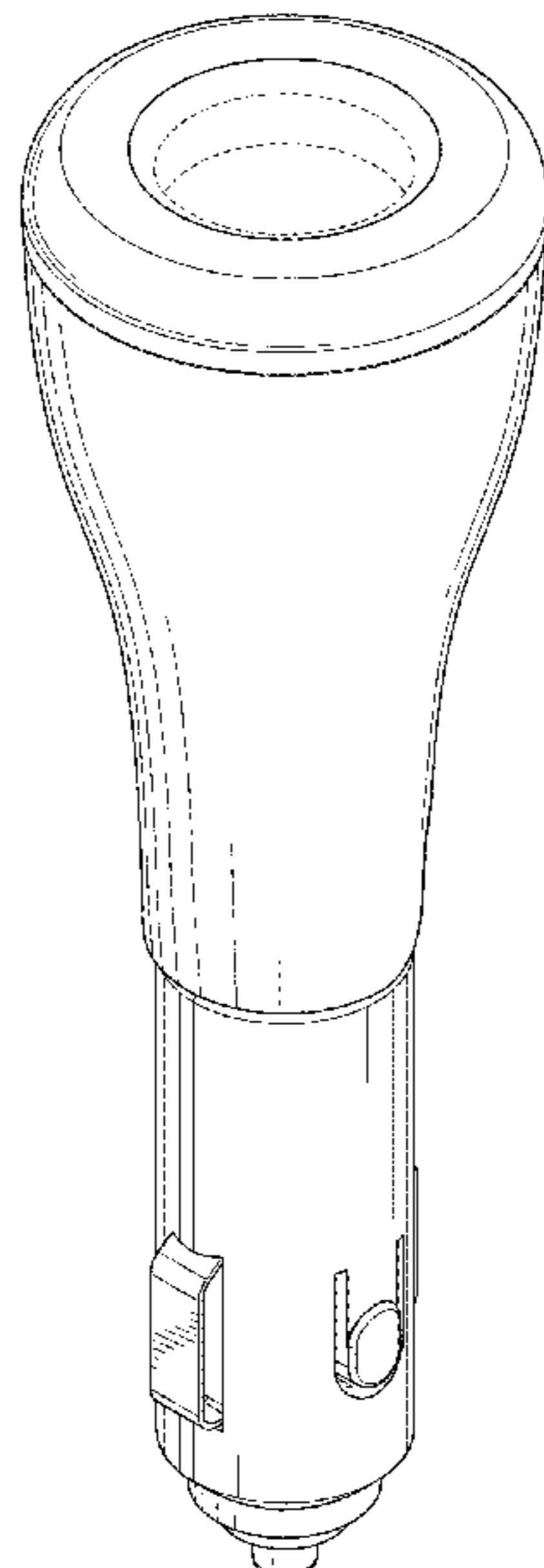
The ornamental design for an angle-adjustable aroma diffusing apparatus, as shown and described.

DESCRIPTION

FIG. 1 is a perspective view of an angle-adjustable aroma diffusing apparatus showing my new design;
FIG. 2 is a front view thereof;
FIG. 3 is a rear view thereof;
FIG. 4 is a left side view thereof;
FIG. 5 is a right side view thereof;
FIG. 6 is a top view thereof; and,
FIG. 7 is a bottom view thereof.

The broken lines in the drawings are for illustrative purposes only and from no part of the claimed design.

1 Claim, 6 Drawing Sheets



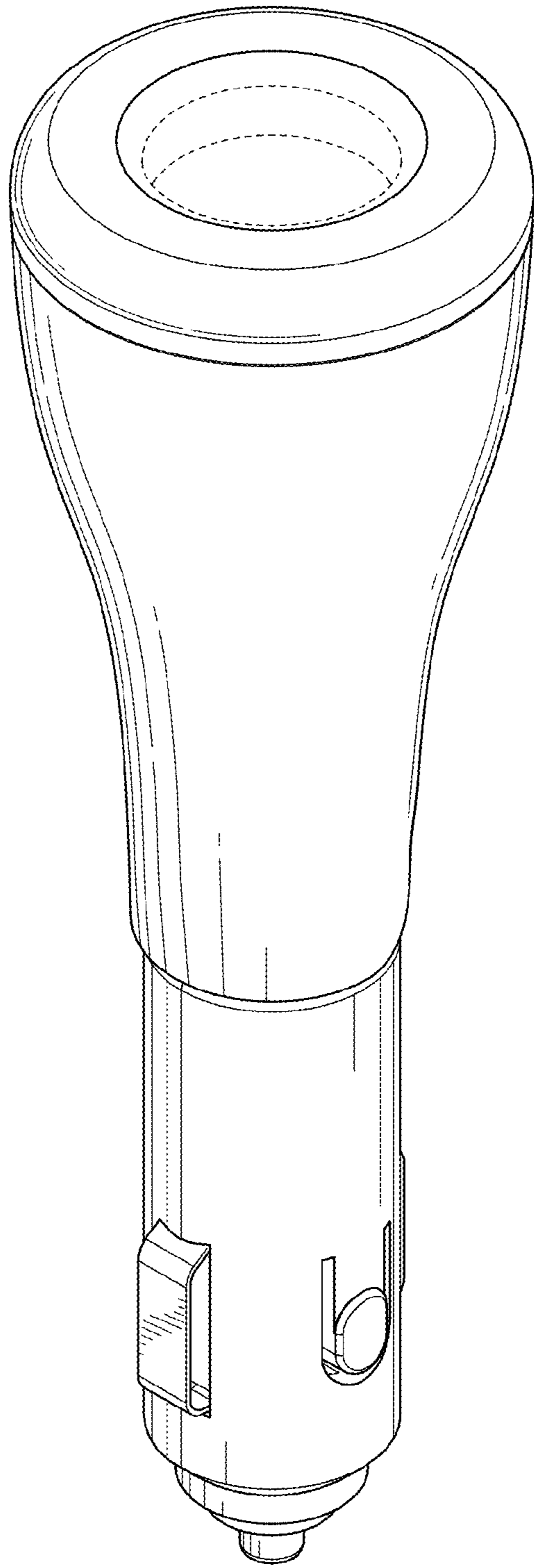


FIG. 1

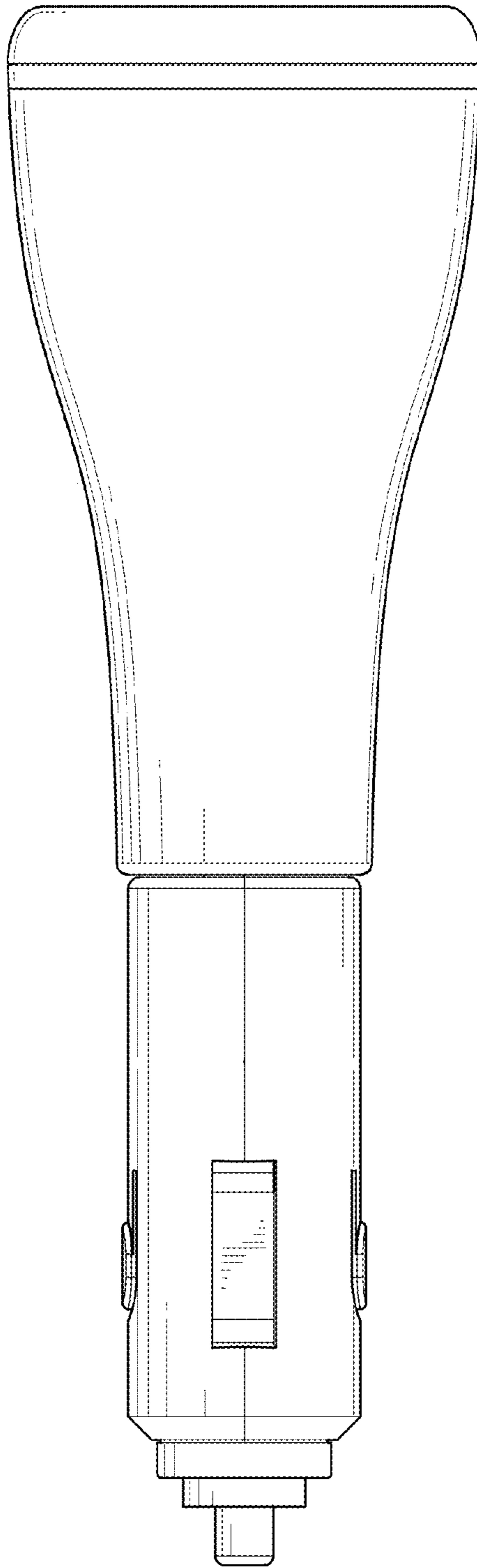


FIG. 2

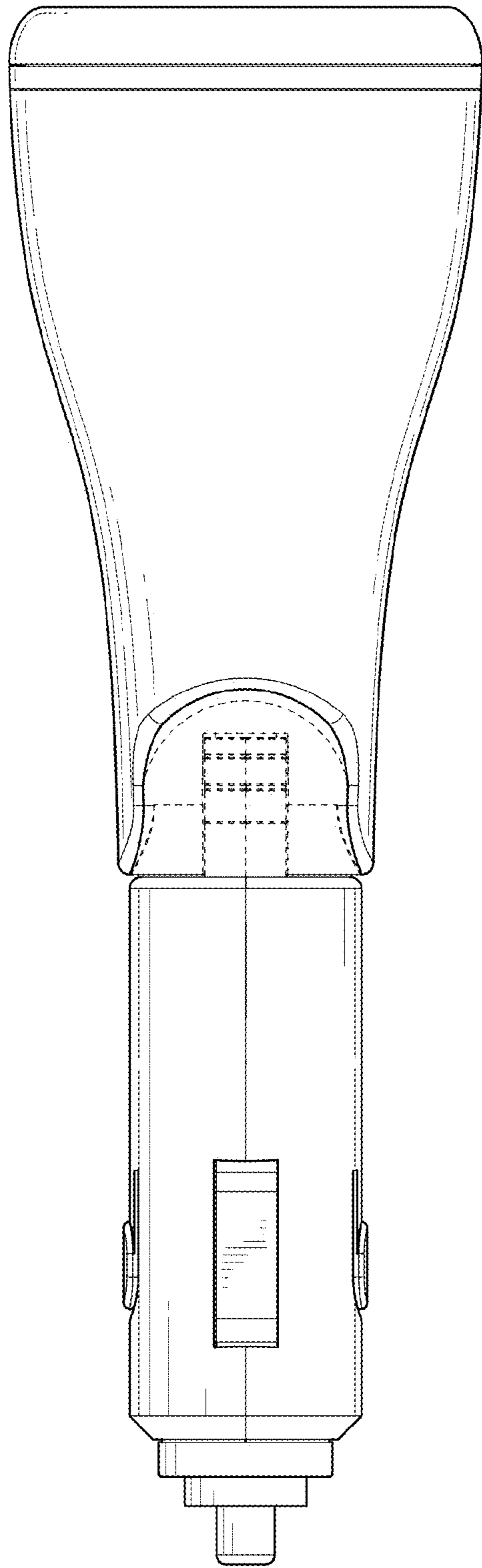


FIG. 3

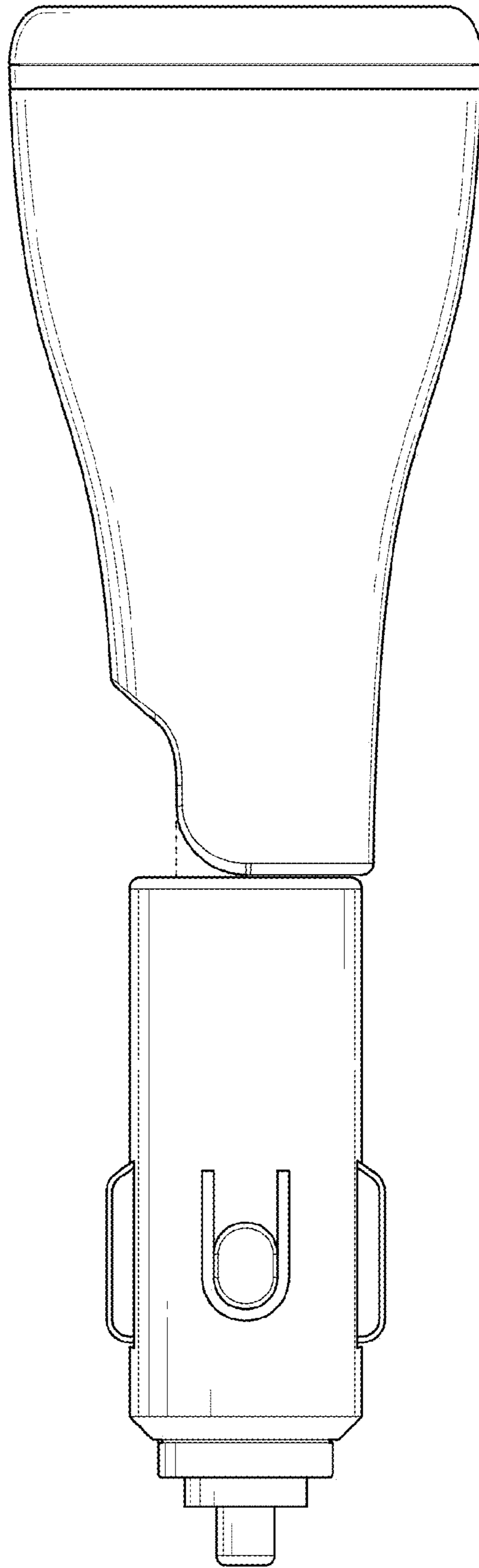


FIG. 4

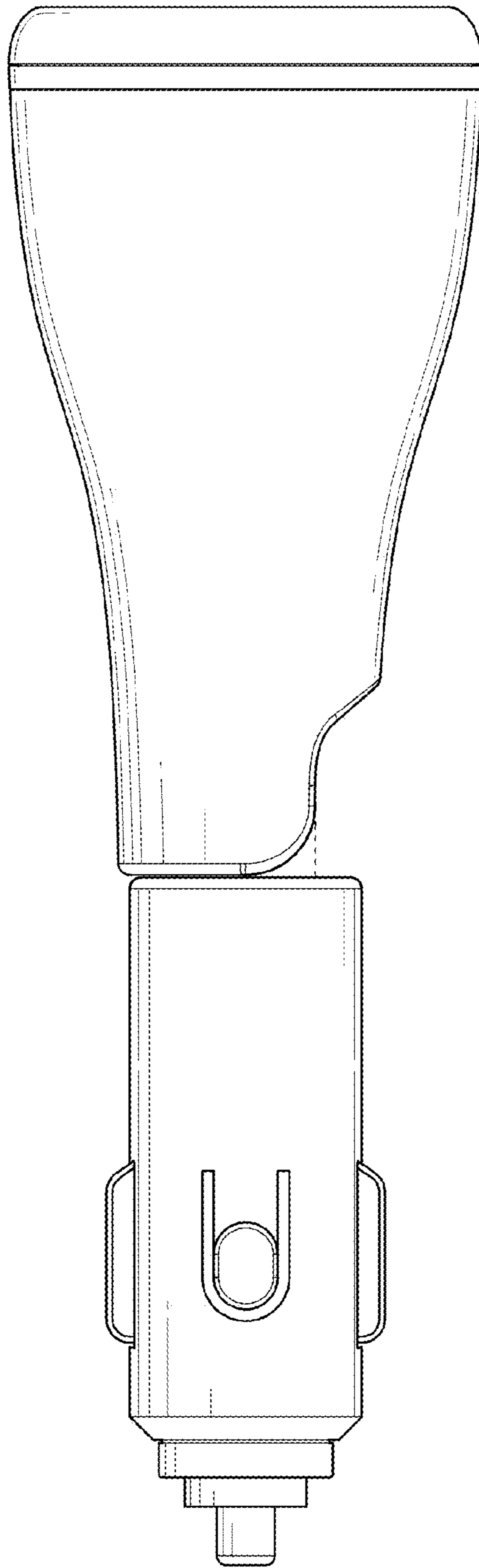


FIG. 5

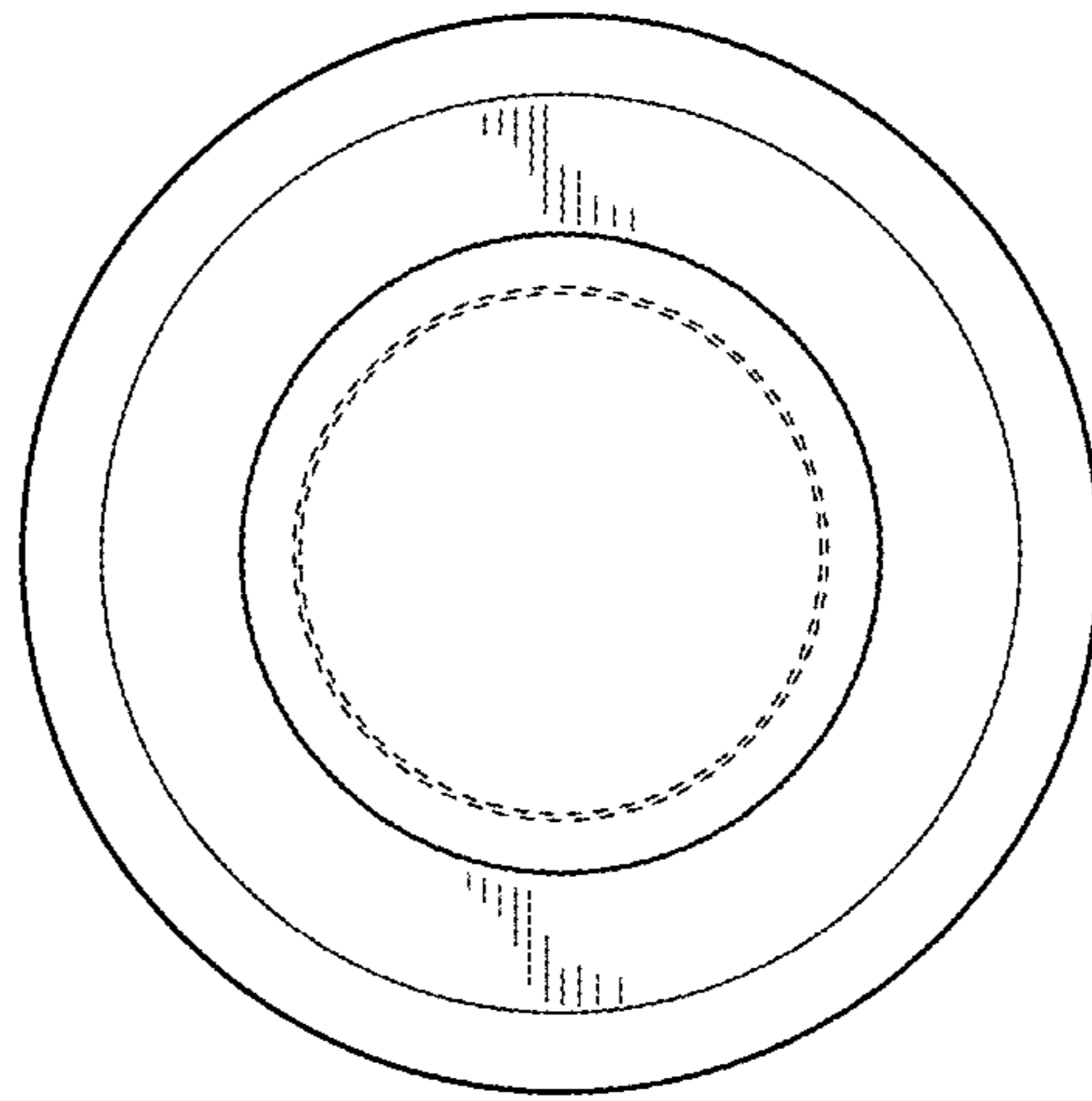


FIG. 6

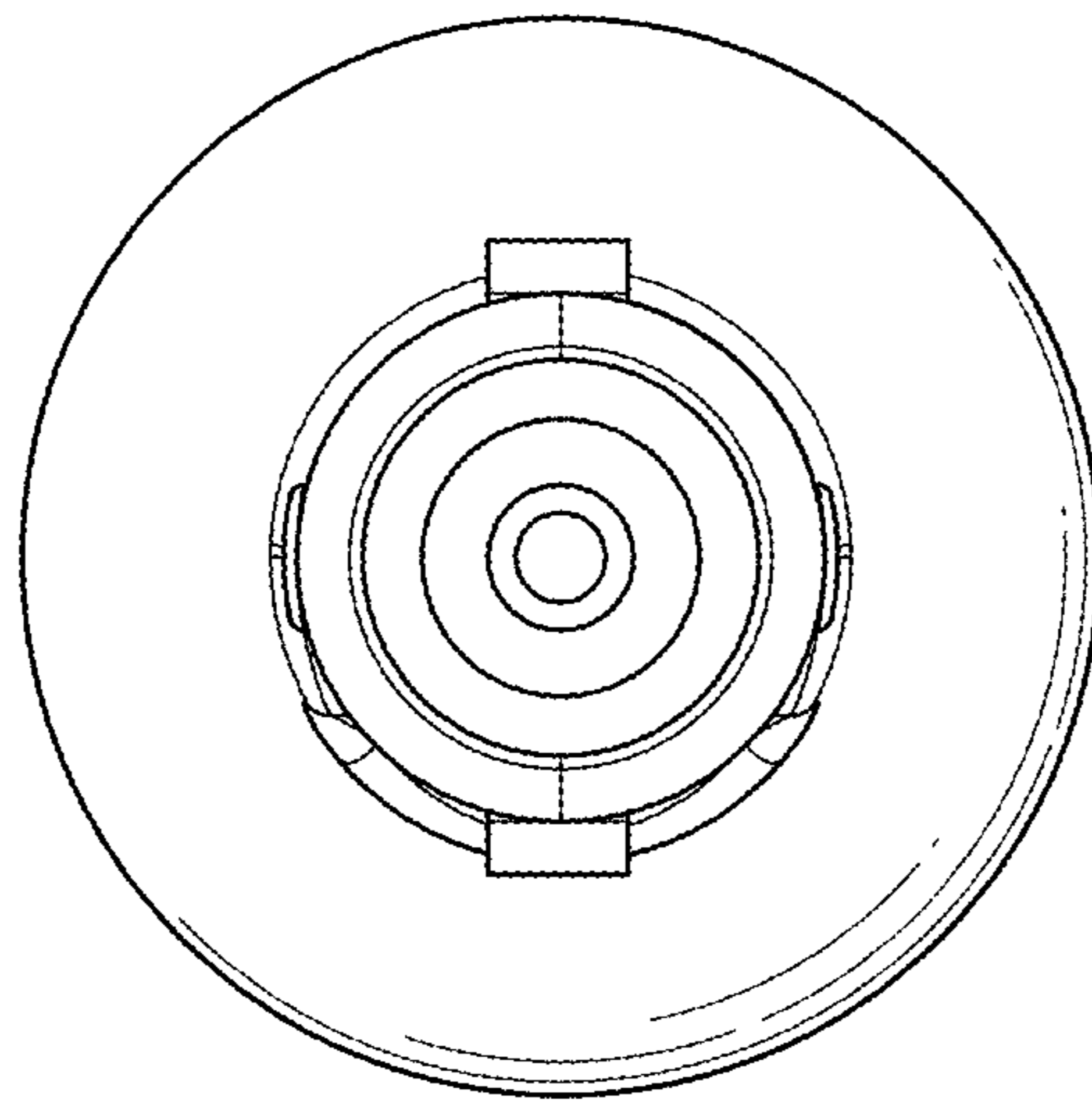


FIG. 7