



US00D711518S

(12) **United States Design Patent**
Nelson et al.

(10) **Patent No.:** **US D711,518 S**
(45) **Date of Patent:** **** Aug. 19, 2014**

(54) **TOILET ASSEMBLY**

(71) Applicant: **LiftSeat Corporation**, Lombard, IL
(US)
(72) Inventors: **Jeffrey Cogan Nelson**, Chicago, IL
(US); **Gregory Charles Kilgore**, Aurora,
IL (US)
(73) Assignee: **LiftSeat Corporation**, Lombard, IL
(US)
(**) Term: **14 Years**

(21) Appl. No.: **29/464,498**
(22) Filed: **Aug. 16, 2013**
(51) **LOC (10) Cl.** **23-02**
(52) **U.S. Cl.**
USPC **D23/299**
(58) **Field of Classification Search**
USPC D23/299, 296, 303, 309, 311;
4/234–241, 902, 312, 466, 449, 471,
4/460, 667, 480, 448; D6/663–664
See application file for complete search history.

(56) **References Cited**

U.S. PATENT DOCUMENTS

6,507,961	B1 *	1/2003	Ming-Hwa	4/667
6,976,278	B2 *	12/2005	Oetting et al.	4/480
8,556,347	B2 *	10/2013	Lin et al.	4/667
8,677,520	B2 *	3/2014	Storm	4/448

* cited by examiner

Primary Examiner — Robert Delehanty
(74) *Attorney, Agent, or Firm* — Moazzam & Associates,
LLC

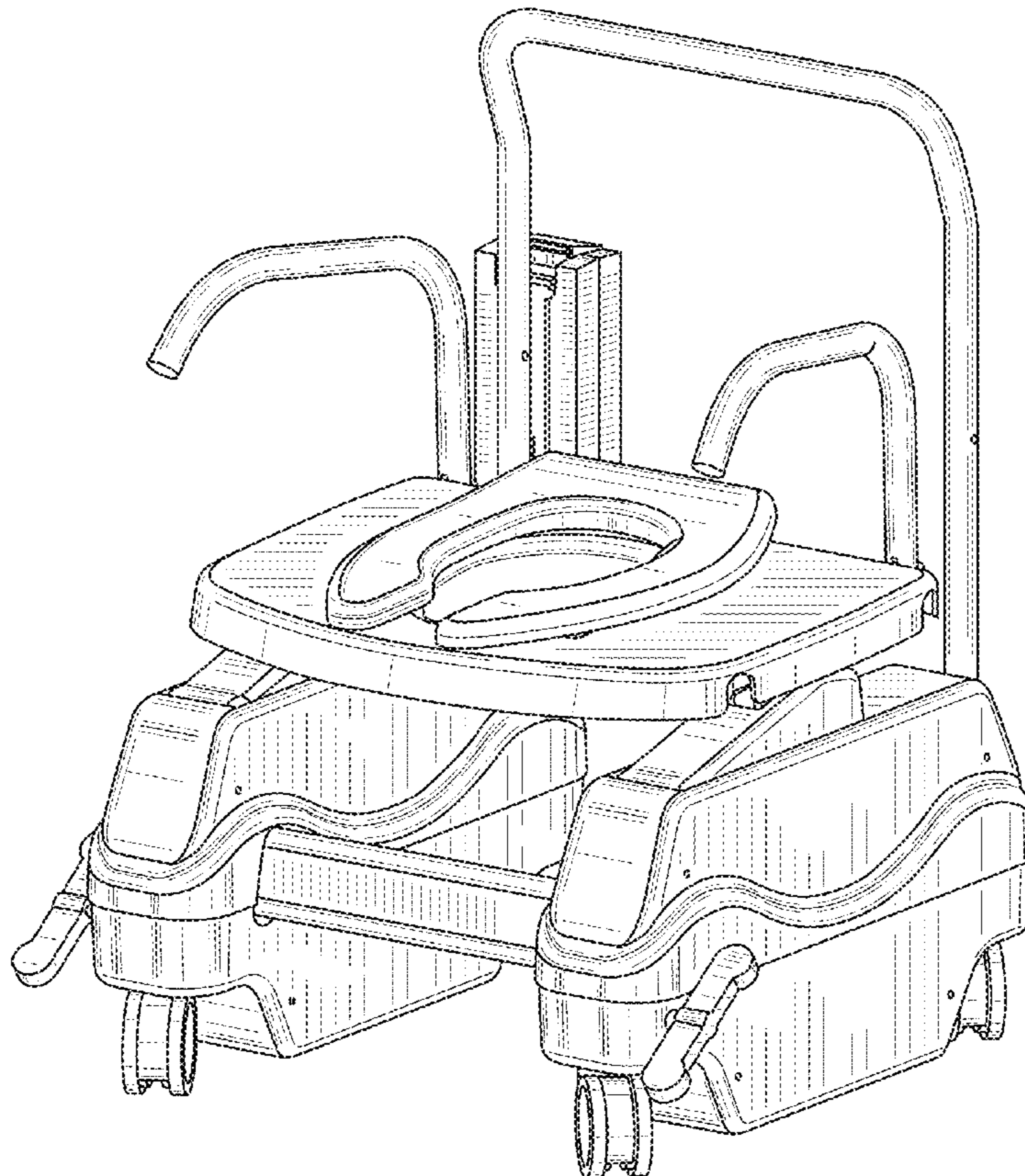
(57) **CLAIM**

The ornamental design for a toilet assembly, as shown and described.

DESCRIPTION

FIG. 1 is a front perspective view of a toilet assembly showing our new design; FIG. 2 is a front elevational view thereof; and FIG. 3 is a back elevational view thereof; and FIG. 4 is a left side elevational view thereof; FIG. 5 is a right side elevational view thereof; and, FIG. 6 is a top plan view thereof.

1 Claim, 6 Drawing Sheets



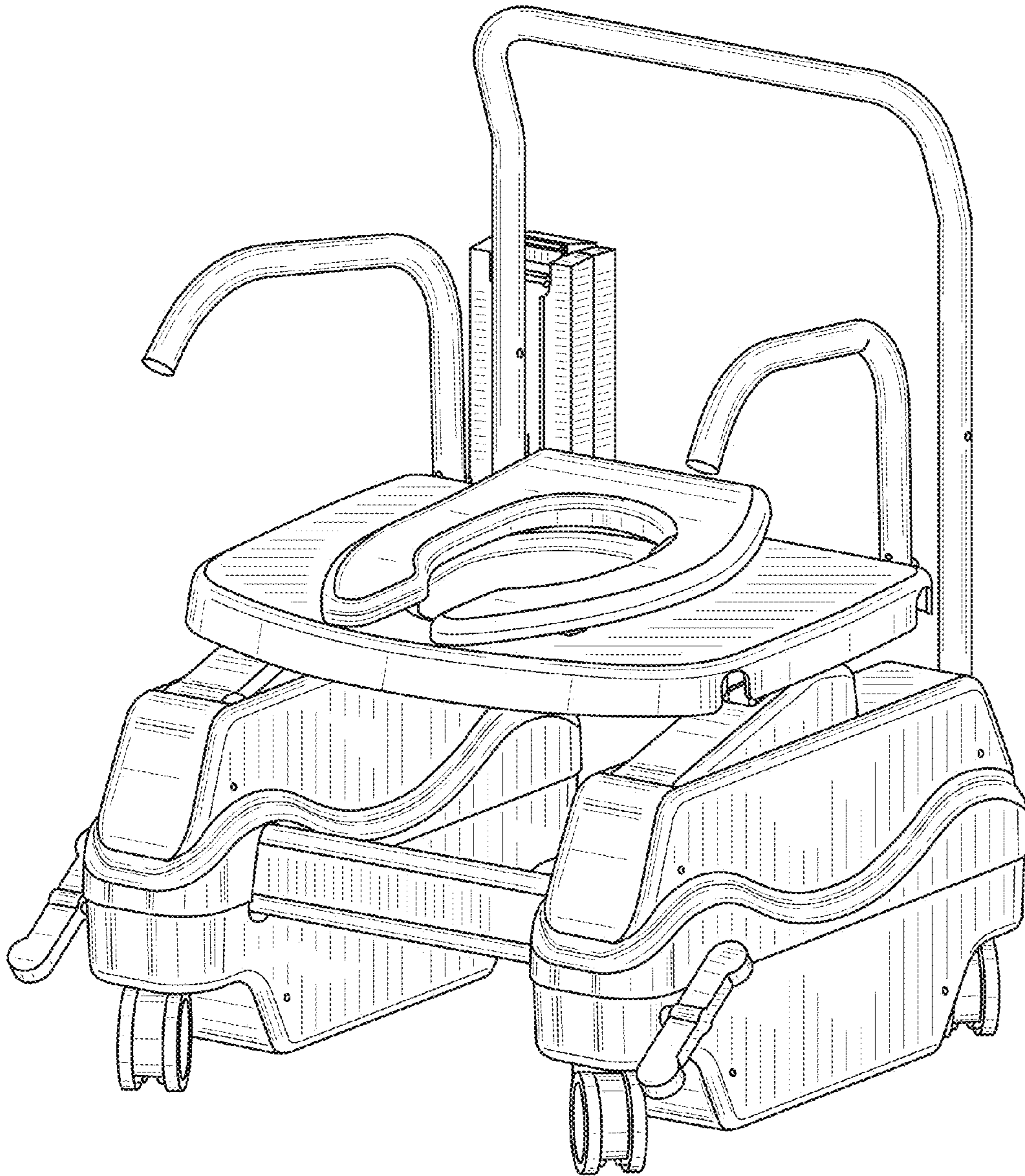


FIG. 1

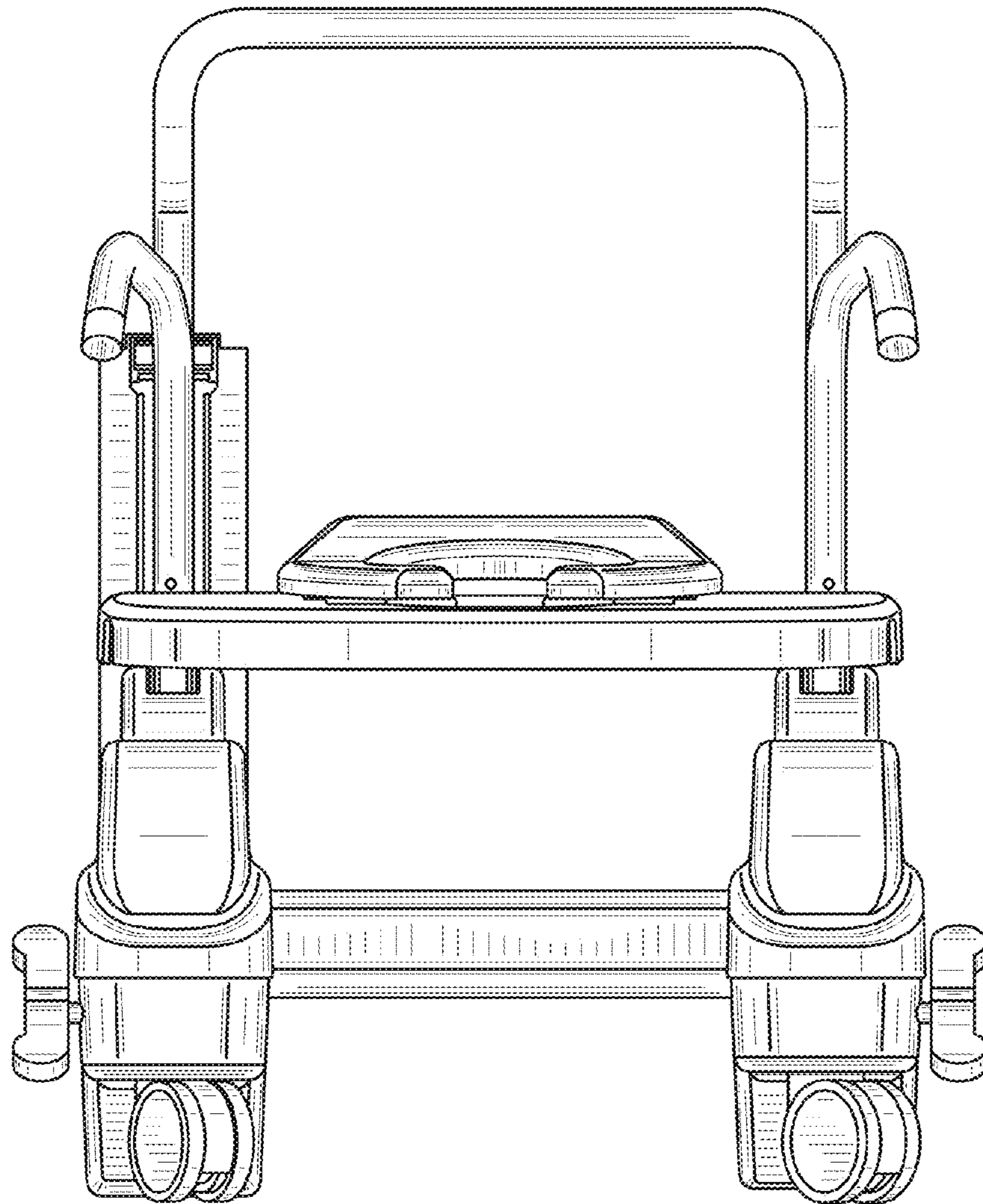


FIG. 2

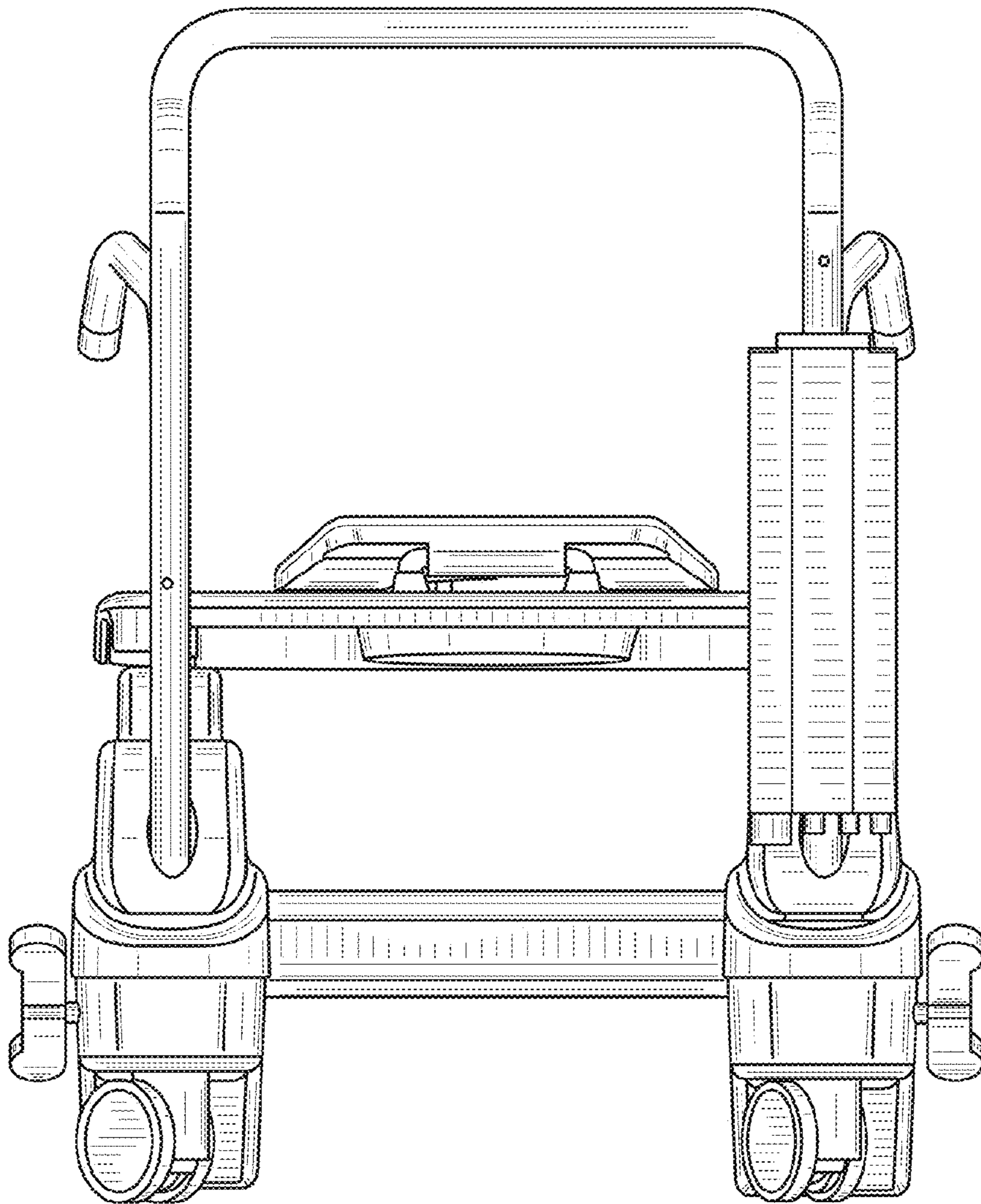


FIG. 3

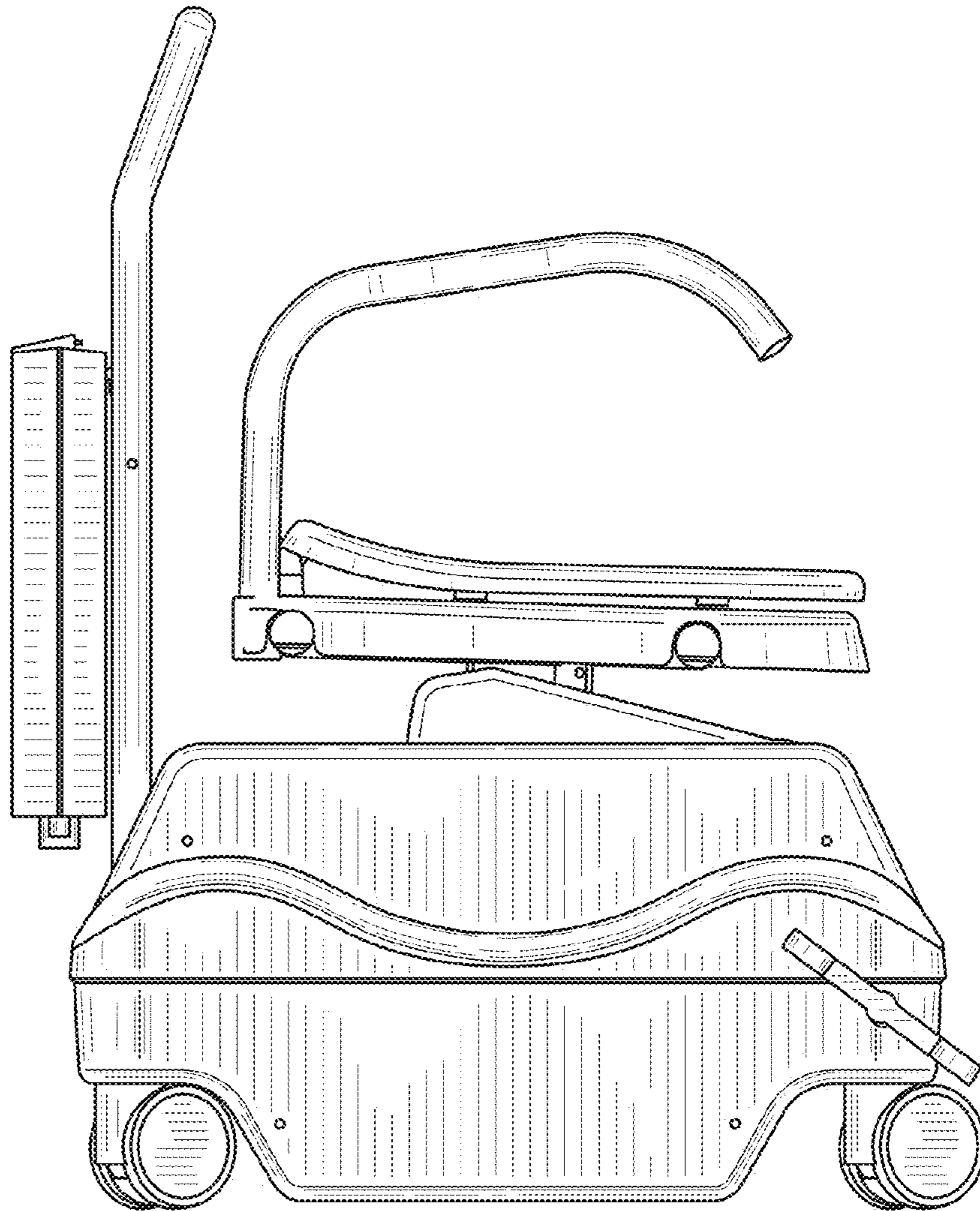


FIG. 4

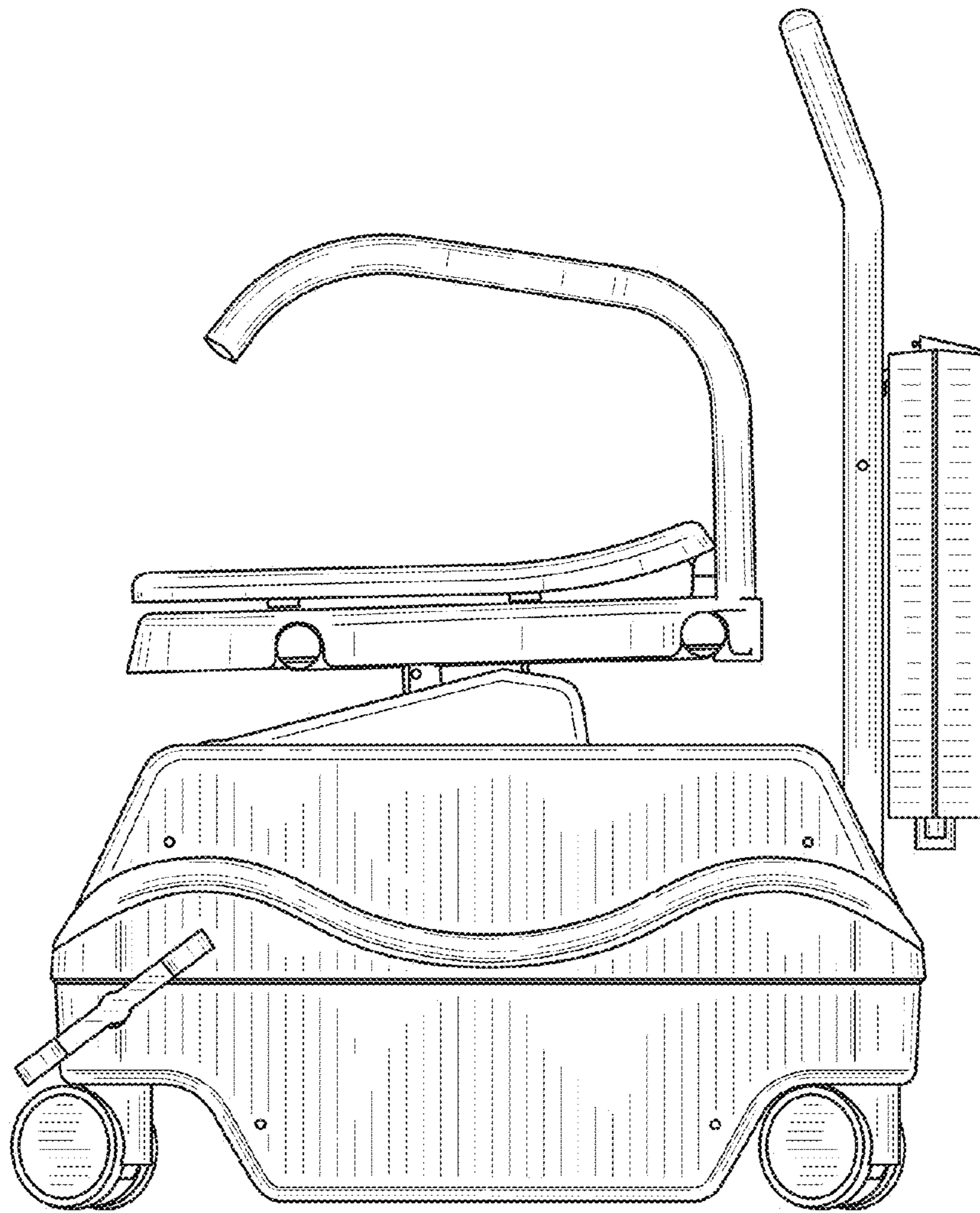


FIG. 5

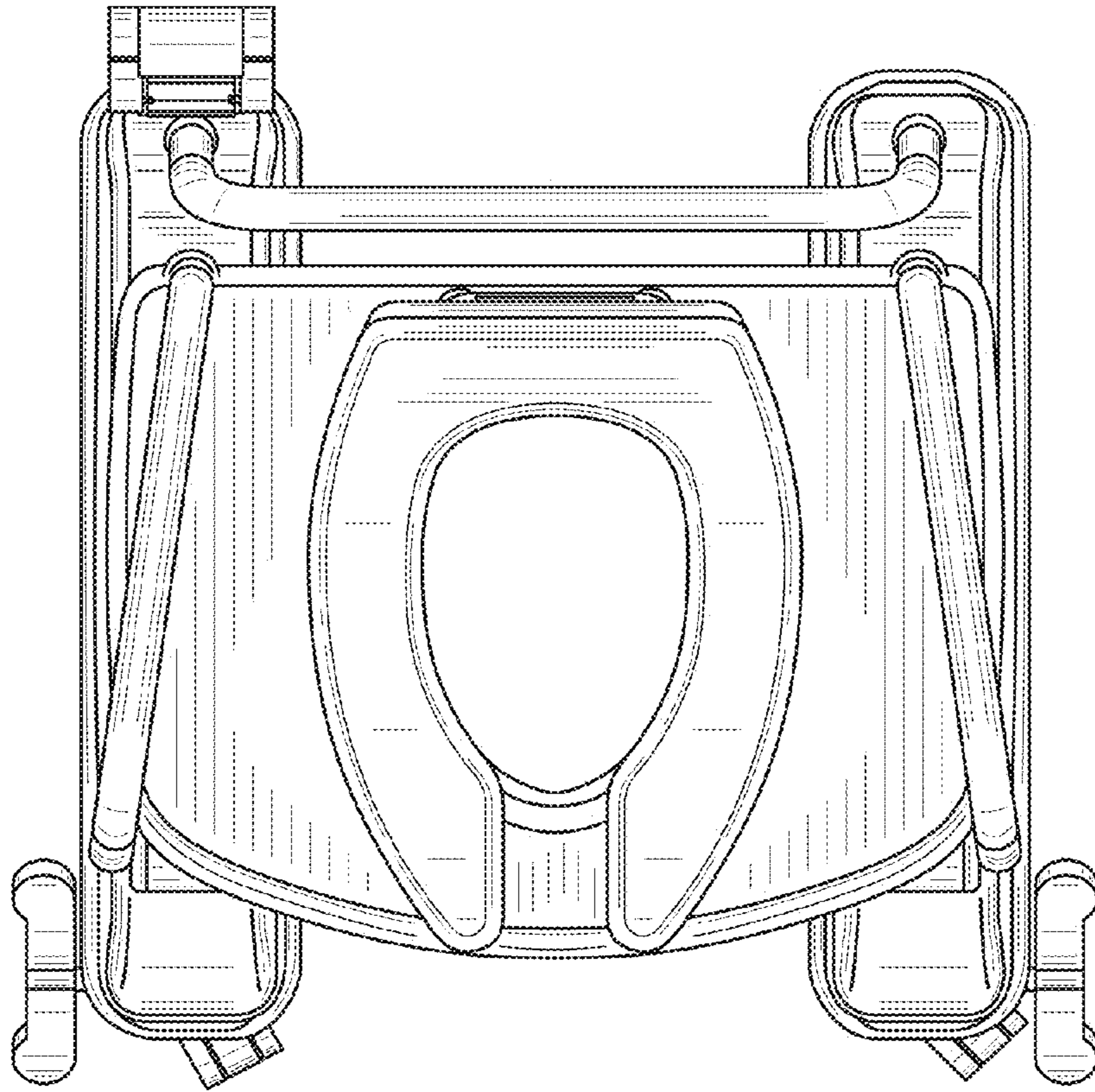


FIG. 6