



US00D711515S

(12) **United States Design Patent**
Flowers et al.

(10) **Patent No.:** **US D711,515 S**

(45) **Date of Patent:** **** Aug. 19, 2014**

(54) **HANDLE**

(71) Applicant: **Grohe AG**, Hemer (DE)

(72) Inventors: **Paul Flowers**, Duesseldorf (DE);
Antoine Besseyre Des Horts,
Meerbusch (DE)

(73) Assignee: **Grohe AG**, Hemer (DE)

(**) Term: **14 Years**

(21) Appl. No.: **29/489,353**

(22) Filed: **Apr. 29, 2014**

Related U.S. Application Data

(62) Division of application No. 29/432,875, filed on Sep. 21, 2012, now Pat. No. Des. 707,333.

(30) **Foreign Application Priority Data**

Mar. 22, 2012 (EM) 002013425-0012

(51) **LOC (10) Cl.** **23-01**

(52) **U.S. Cl.**
USPC **D23/252**

(58) **Field of Classification Search**
USPC D23/238-243, 250, 252; 4/675-678;
138/801

See application file for complete search history.

(56) **References Cited**

U.S. PATENT DOCUMENTS

D522,624 S * 6/2006 Koury et al. D23/252
D563,525 S * 3/2008 Zhu D23/242

* cited by examiner

Primary Examiner — Robert Delehanty

(74) *Attorney, Agent, or Firm* — Muncy, Geissler, Olds & Lowe, P.C.

(57) **CLAIM**

The ornamental design for a handle, as shown and described.

DESCRIPTION

FIG. 1 is a left side elevational view of a handle according to the present invention;

FIG. 2 is a right side elevational view of the handle of FIG. 1;

FIG. 3 is a front elevational view of the handle of FIG. 1;

FIG. 4 is a rear elevational view of the handle of FIG. 1;

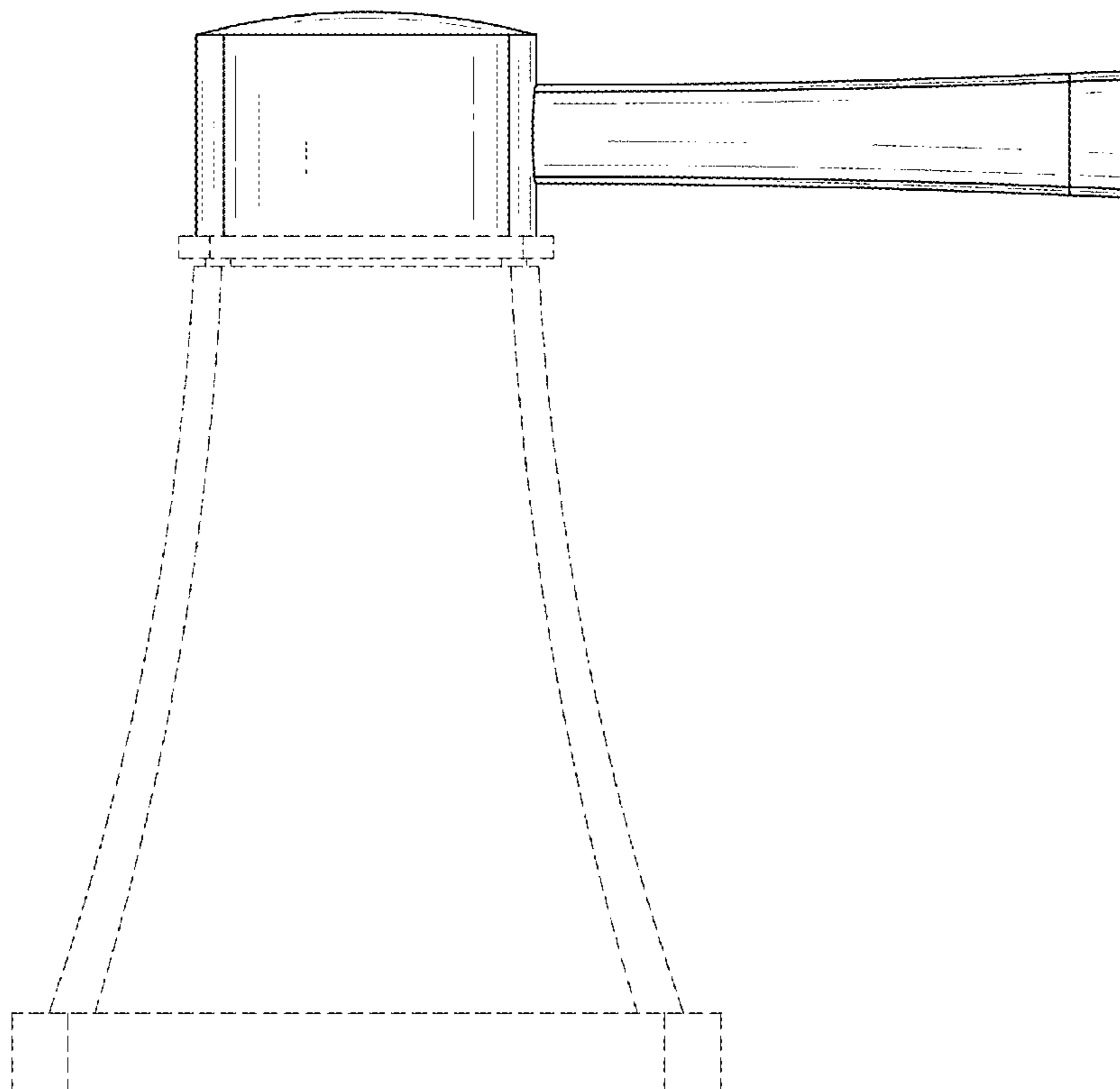
FIG. 5 is a top plan view of the handle of FIG. 1;

FIG. 6 is a bottom plan view of the handle of FIG. 1; and,

FIG. 7 is a perspective view of the handle of FIG. 1.

The dashed lines illustrate environment that does not form a part of the present invention, and no claim is made to the material illustrated with dashed lines.

1 Claim, 7 Drawing Sheets



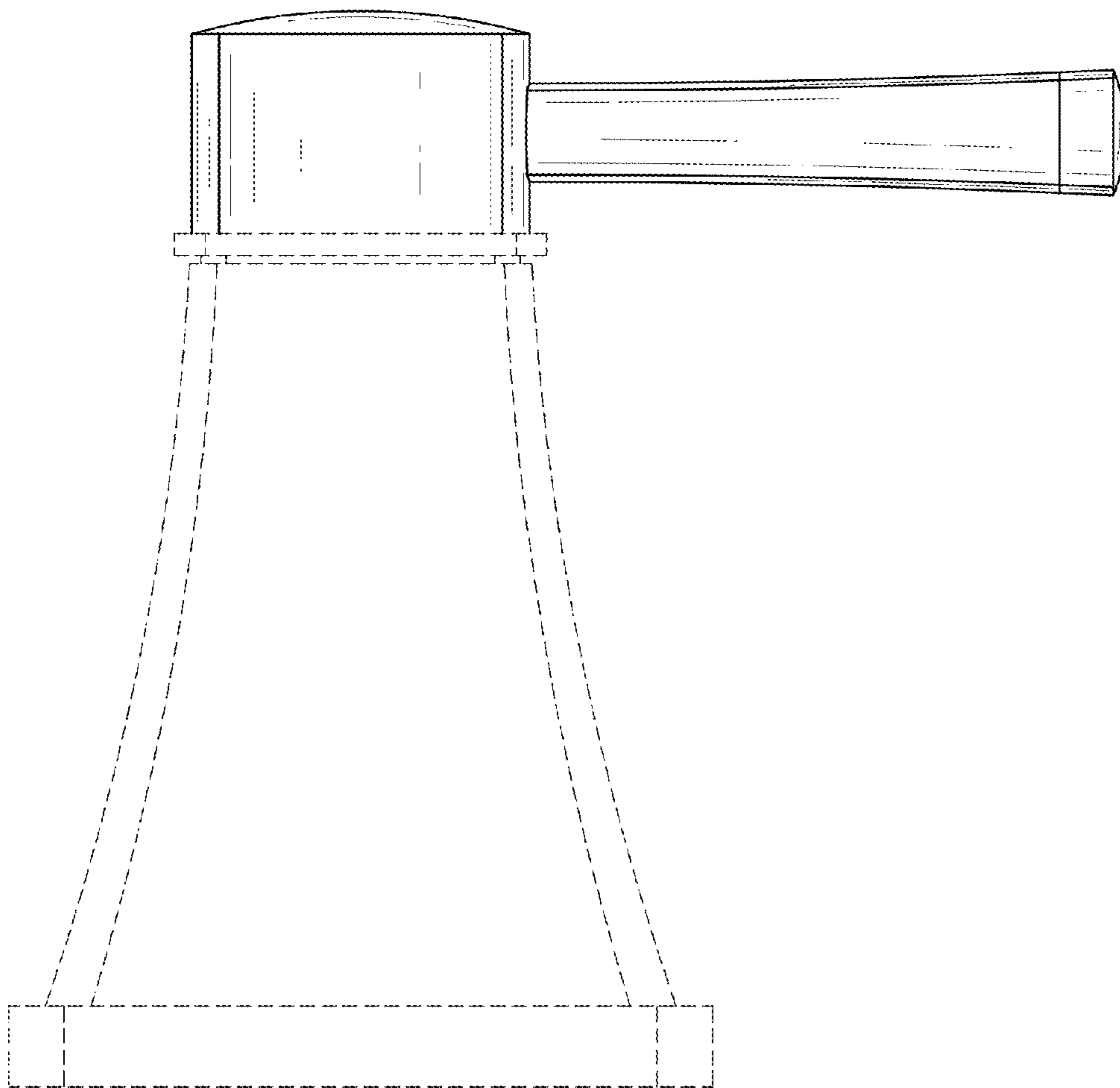


FIG.1

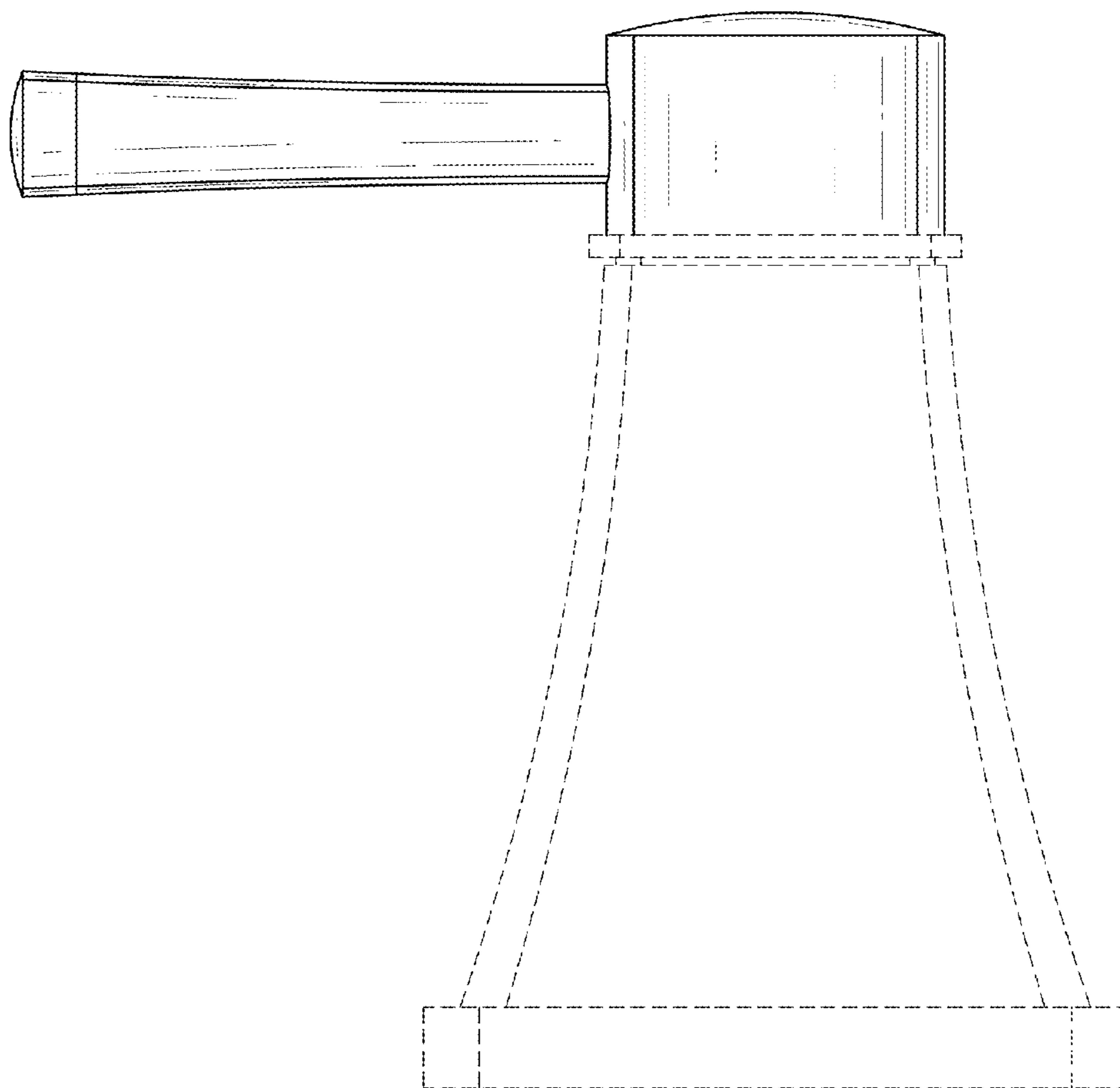


FIG.2

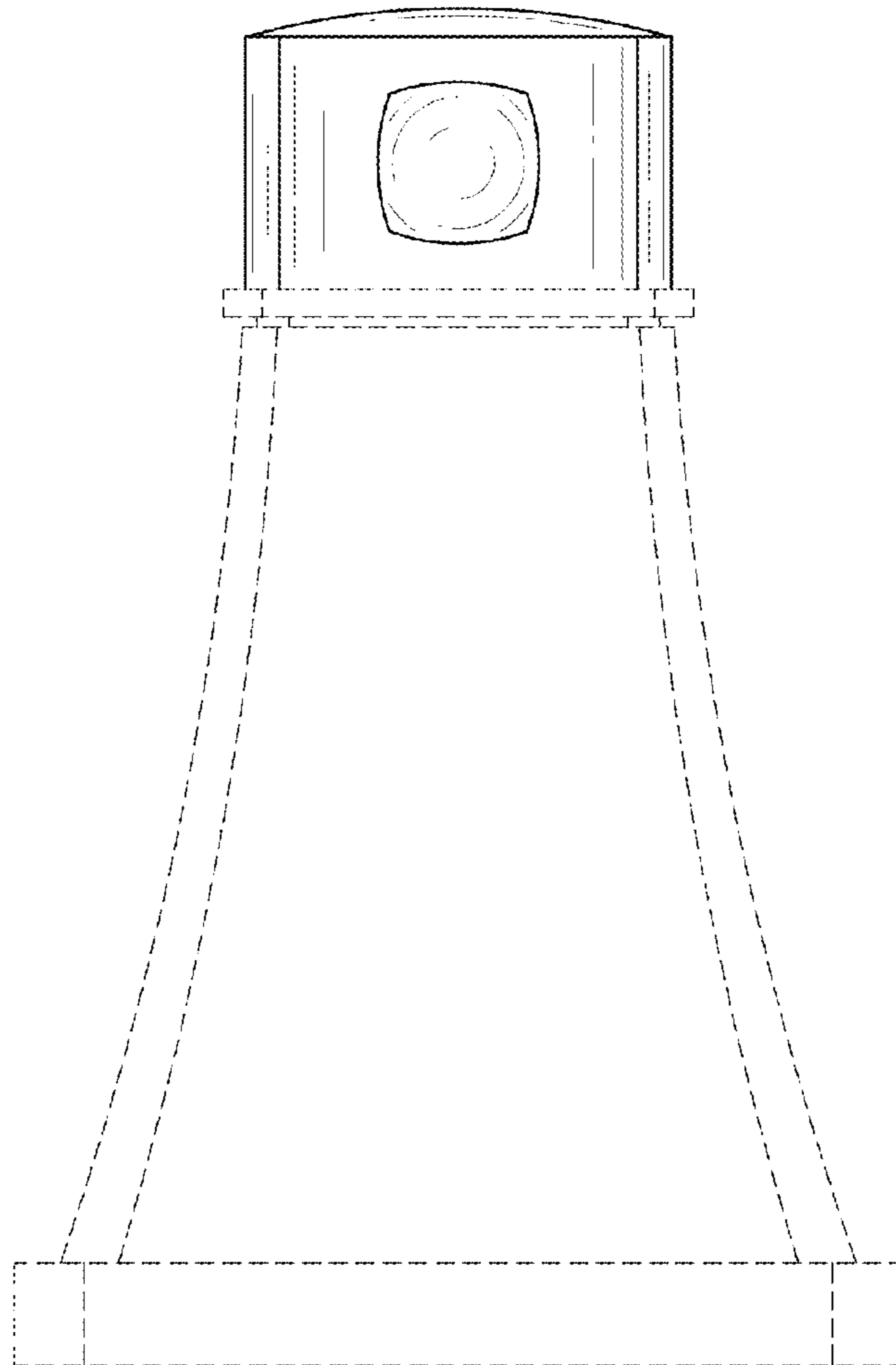


FIG.3

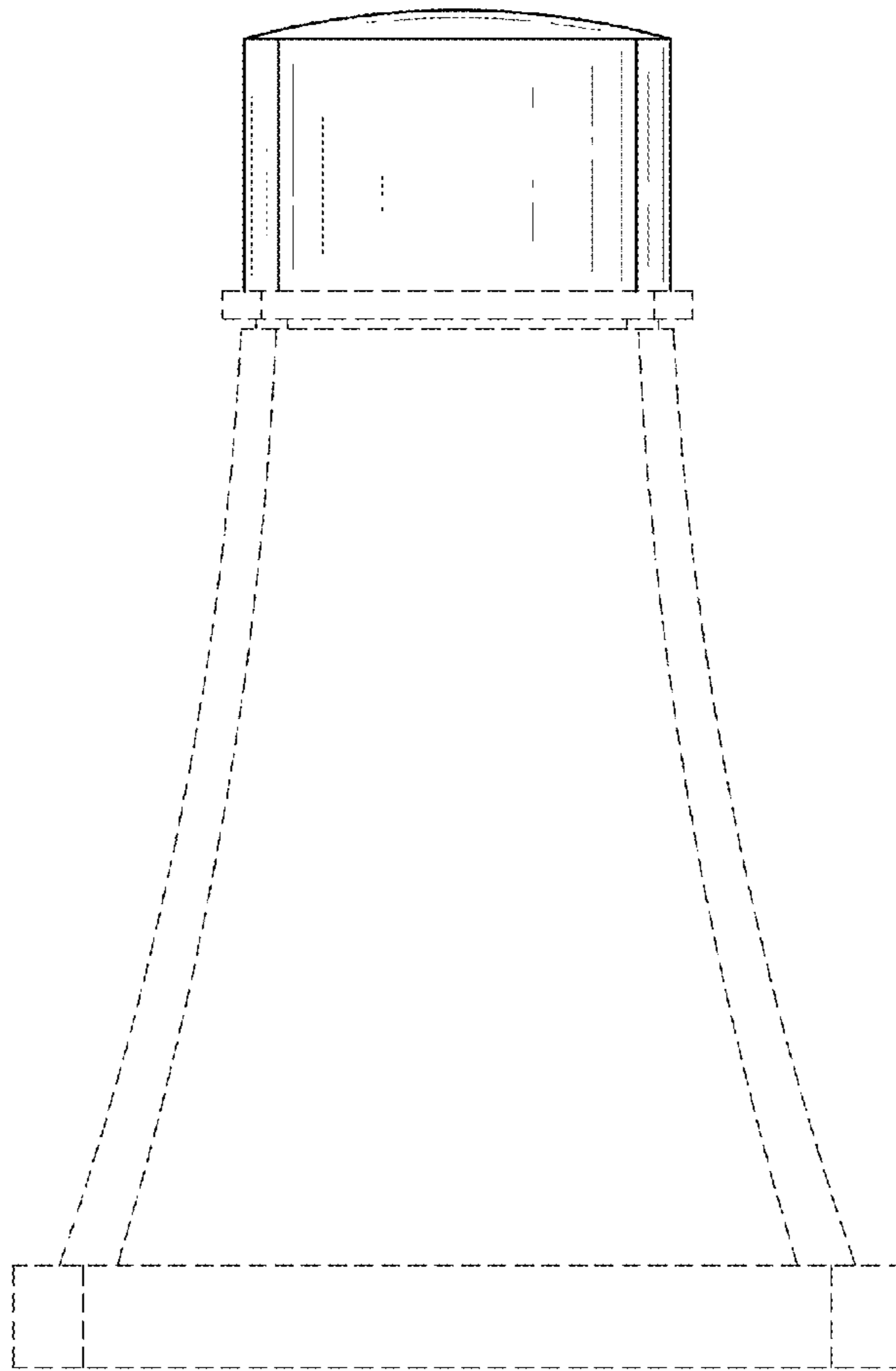


FIG.4

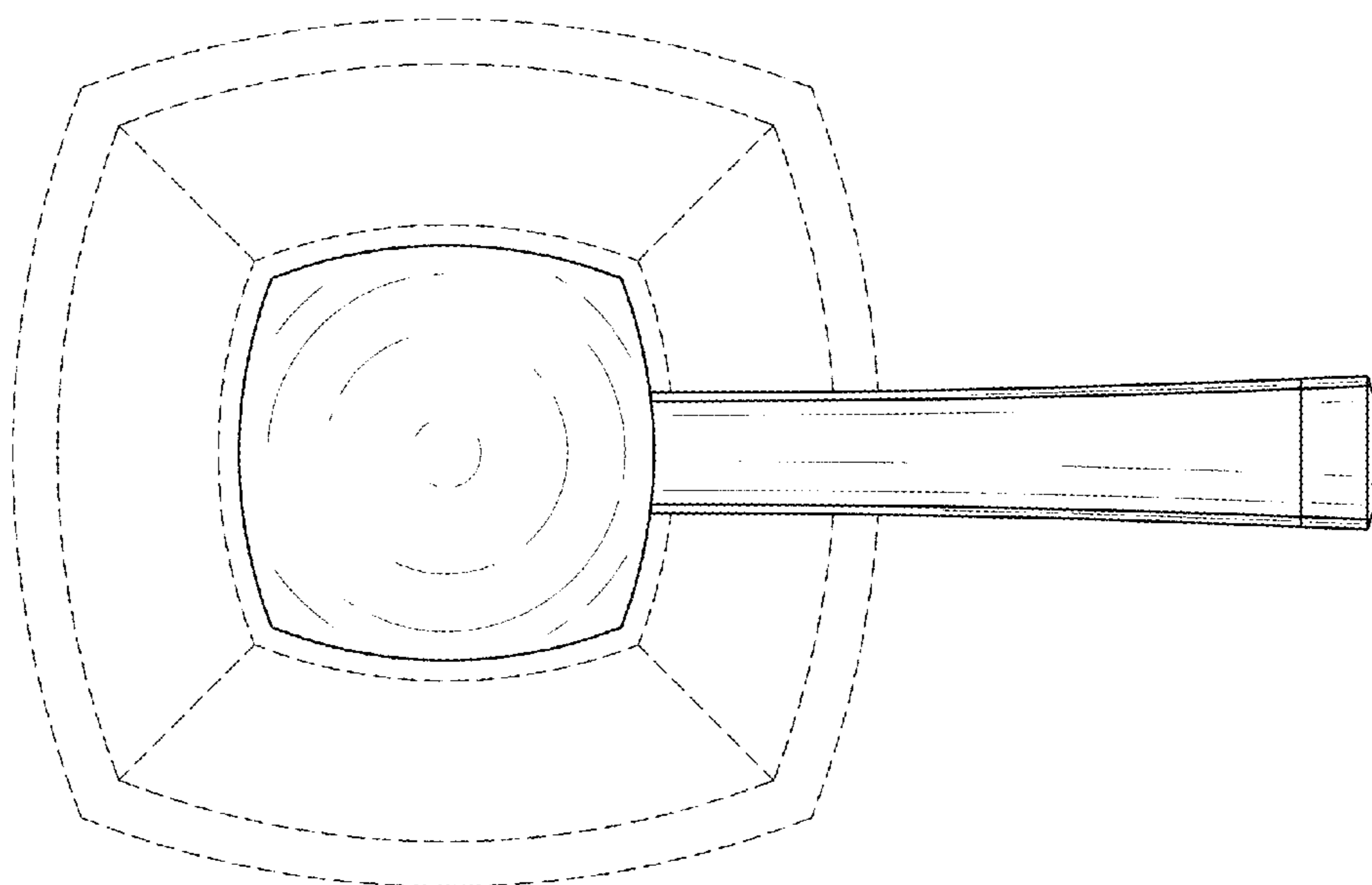


FIG.5

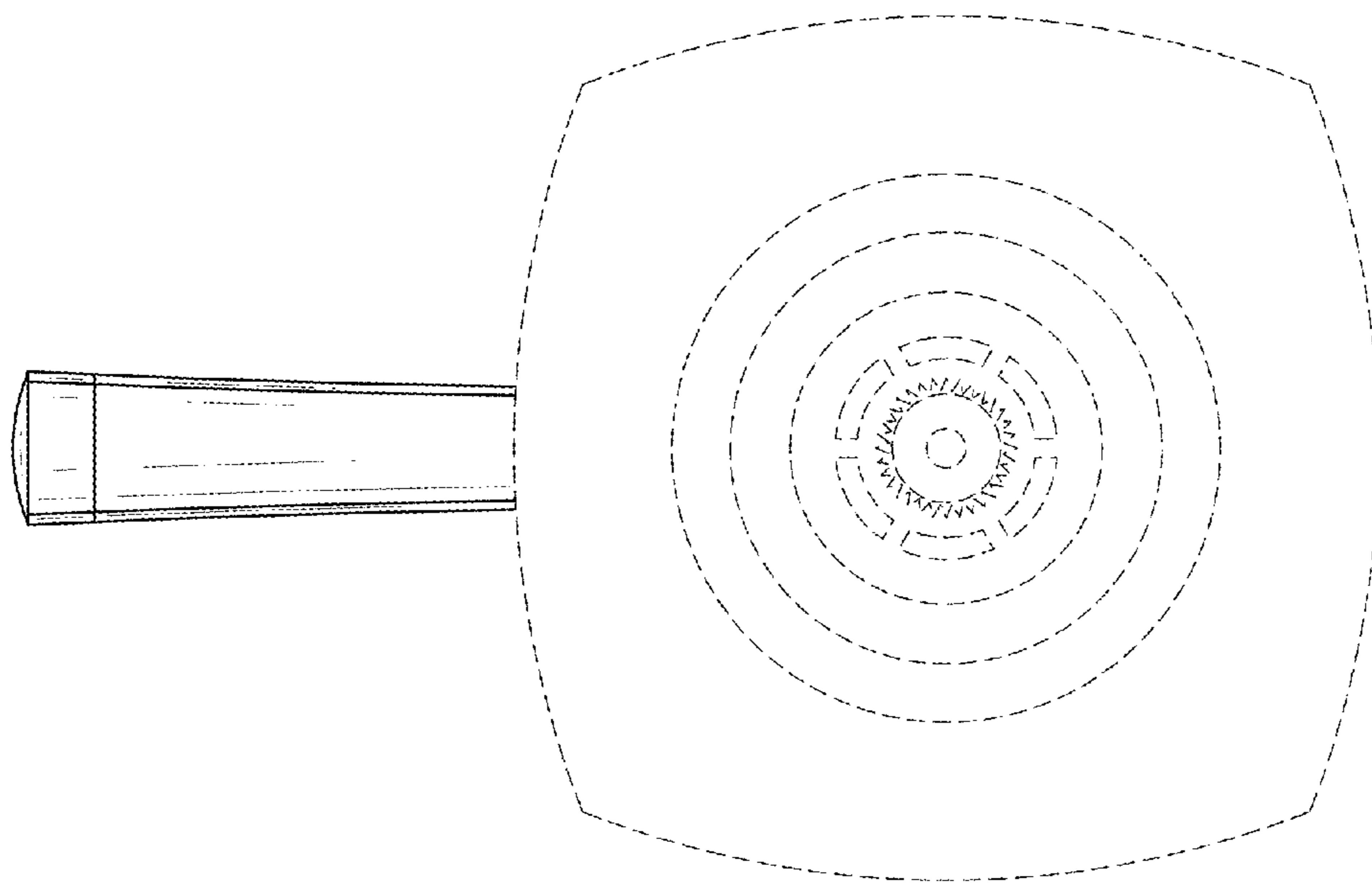


FIG.6

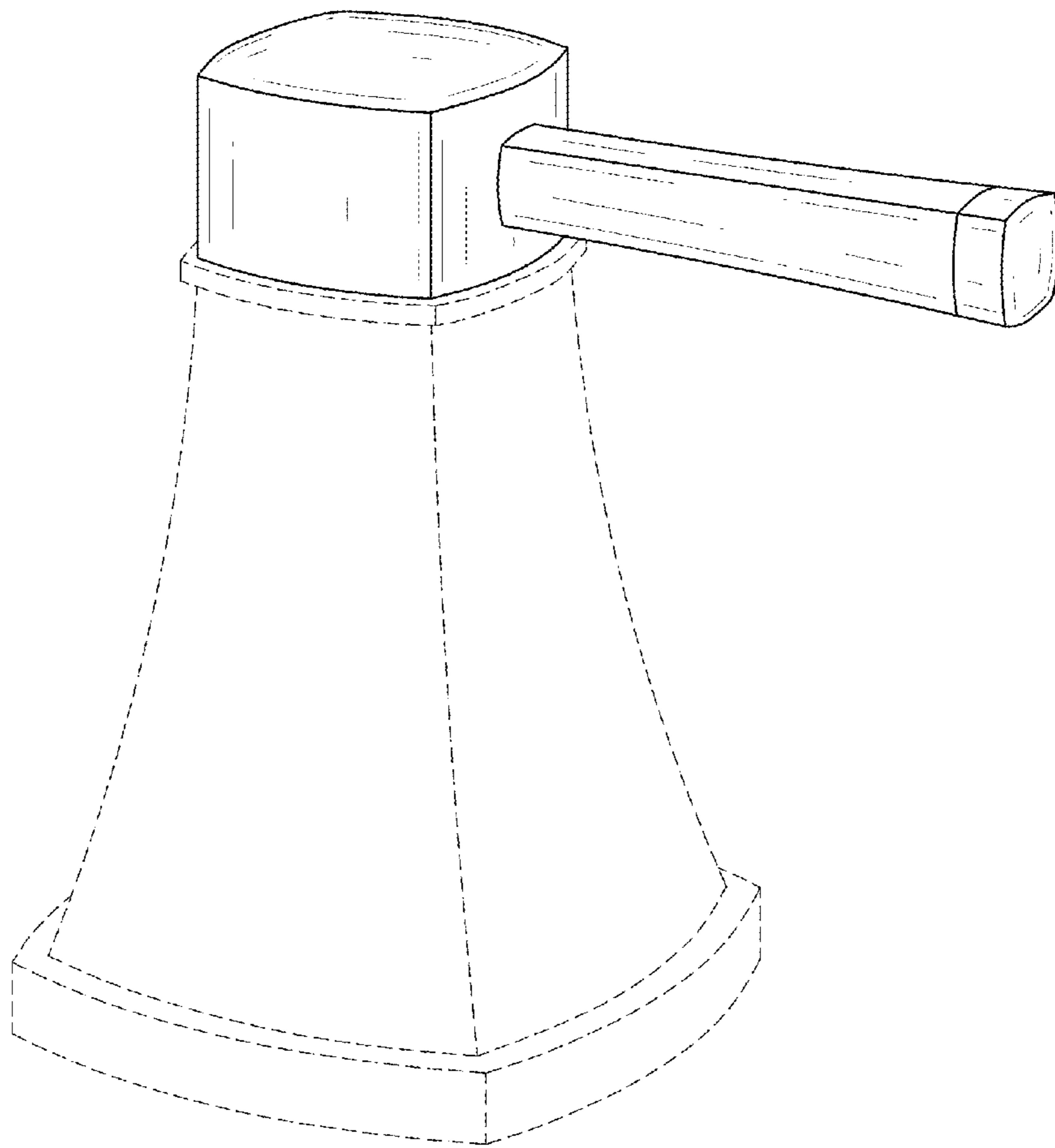


FIG. 7