



US00D711513S

(12) **United States Design Patent**  
**Garrels et al.**

(10) **Patent No.:** **US D711,513 S**

(45) **Date of Patent:** **\*\* Aug. 19, 2014**

(54) **DUAL FLUSH HANDLE**

(71) Applicant: **Kohler Co.**, Kohler, WI (US)

(72) Inventors: **Clayton C. Garrels**, Sheboygan, WI (US); **Benjamin B. Fullerton, Jr.**, Oconomowoc, WI (US); **Gary N. Clarke**, Sheboygan, WI (US)

(73) Assignee: **Kohler Co.**, Kohler, WI (US)

(\*\*) Term: **14 Years**

(21) Appl. No.: **29/484,499**

(22) Filed: **Mar. 10, 2014**

**Related U.S. Application Data**

(62) Division of application No. 29/433,633, filed on Oct. 2, 2012.

(51) **LOC (10) Cl.** ..... **23-01**

(52) **U.S. Cl.**  
USPC ..... **D23/252**

(58) **Field of Classification Search**  
USPC ..... D23/238-243, 250, 252; 4/675-678;  
137/801; D8/308

See application file for complete search history.

(56) **References Cited**

**U.S. PATENT DOCUMENTS**

D105,160 S \* 6/1937 Zinkil ..... D23/252  
D108,067 S \* 1/1938 Clemmons ..... D23/252

(Continued)

**OTHER PUBLICATIONS**

First Office Action in related Russian Design Application No. 2013502747 issued by the Russian Patent Office.

(Continued)

*Primary Examiner* — Robert Delehanty

(74) *Attorney, Agent, or Firm* — Foley & Lardner LLP

(57) **CLAIM**

We claim the ornamental design for a dual flush handle, as shown and described.

**DESCRIPTION**

FIG. 1 is a perspective view of an embodiment of the claimed design;

FIG. 2 is a front view of the design of FIG. 1;

FIG. 3 is a rear view of the design of FIG. 1;

FIG. 4 is a left-side view of the design of FIG. 1;

FIG. 5 is a right-side view of the design of FIG. 1;

FIG. 6 is a top view of the design of FIG. 1;

FIG. 7 is a bottom view of the design of FIG. 1;

FIG. 8 is a perspective view of another embodiment of the claimed design;

FIG. 9 is a front view of the design of FIG. 8;

FIG. 10 is a rear view of the design of FIG. 8;

FIG. 11 is a left-side view of the design of FIG. 8;

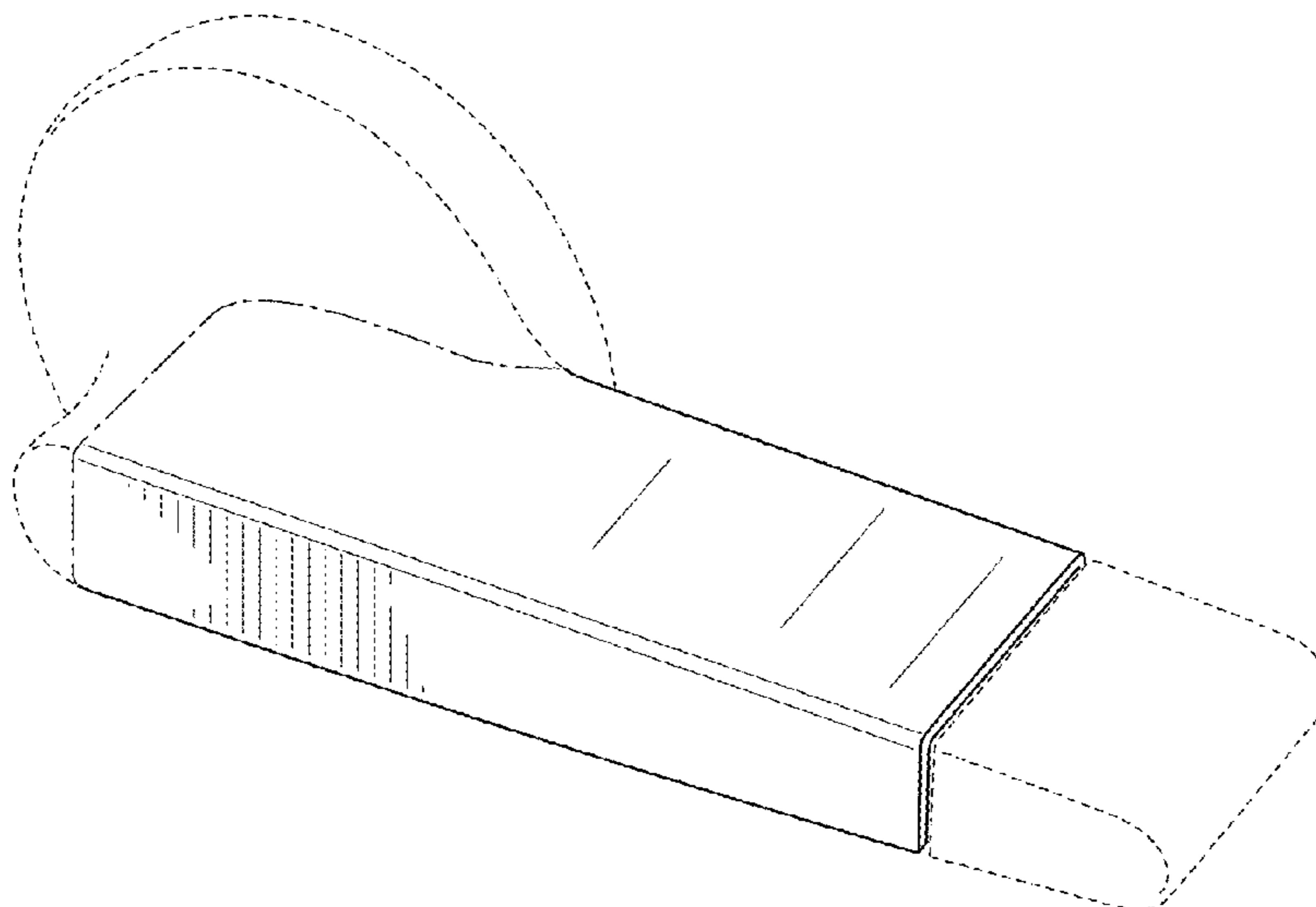
FIG. 12 is a right-side view of the design of FIG. 8;

FIG. 13 is a top view of the design of FIG. 8; and,

FIG. 14 is a bottom view of the design of FIG. 8.

The ornamental design which is claimed is shown in solid lines in the drawings. The broken lines in the drawings are for illustrative purposes only and form no part of the claimed design. Broken lines formed by equal length dashes show unclaimed portions of the design. Broken lines formed of unequal length dashes (i.e., dash-dot) show boundaries between claimed and unclaimed portions of the design.

**1 Claim, 4 Drawing Sheets**



(56)

**References Cited**

U.S. PATENT DOCUMENTS

D263,990 S 4/1982 Fleischmann  
 D265,117 S 6/1982 Fleischmann  
 4,411,029 A \* 10/1983 Huang ..... 4/324  
 D284,500 S 7/1986 Bolgert  
 D289,543 S 4/1987 Davis  
 D294,731 S 3/1988 Reid  
 D296,578 S 7/1988 Reid  
 D297,356 S 8/1988 Reid  
 D299,739 S 2/1989 Kohler, Jr.  
 D302,849 S 8/1989 Kohler, Jr.  
 D316,747 S 5/1991 Fleischmann  
 D318,905 S 8/1991 Reid  
 D323,022 S 1/1992 Ragonot  
 D324,412 S 3/1992 Bonnell  
 D326,139 S 5/1992 Ragonot  
 D338,518 S 8/1993 Reid  
 D339,190 S 9/1993 Pieramico  
 D346,105 S \* 4/1994 Shaanan ..... D8/308  
 D349,328 S 8/1994 Bollenbacher  
 D356,145 S \* 3/1995 Bollenbacher ..... D23/252  
 D367,519 S 2/1996 Bengtson

D379,847 S 6/1997 Kohler, Jr.  
 D407,144 S 3/1999 Formgren  
 D476,065 S 6/2003 Smith  
 D495,401 S 8/2004 Smith  
 D495,780 S 9/2004 Aubry  
 D521,607 S 5/2006 Blomstrom  
 D523,937 S \* 6/2006 Schaffeld et al. .... D23/252  
 D530,399 S 10/2006 Blomstrom  
 D532,486 S 11/2006 Barry  
 D545,402 S 6/2007 Kohler, Jr.  
 D579,523 S 10/2008 Montgomery  
 D592,281 S 5/2009 Eilmus  
 D605,258 S 12/2009 Rubin  
 D627,442 S 11/2010 Sedwick  
 D644,303 S 8/2011 Slothower  
 D644,304 S 8/2011 Slothower  
 D661,783 S \* 6/2012 Georgeson et al. .... D23/252

OTHER PUBLICATIONS

First Office Action in related Russian Design Application No. 2013502748 issued by the Russian Patent Office.  
 U.S. Appl. No. 61/604,355, filed Feb. 28, 2012, Lambert et al.

\* cited by examiner

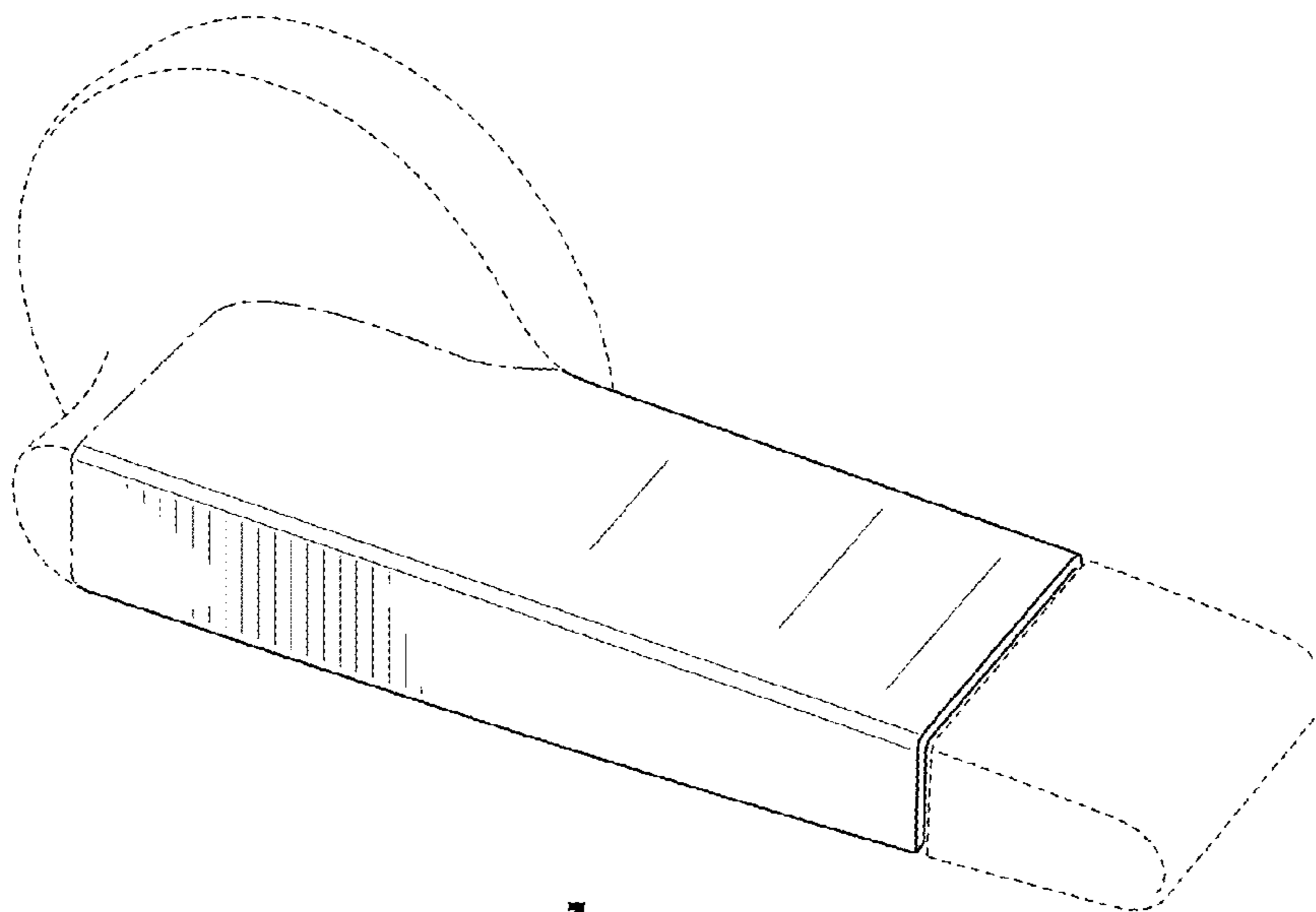


FIG. 1

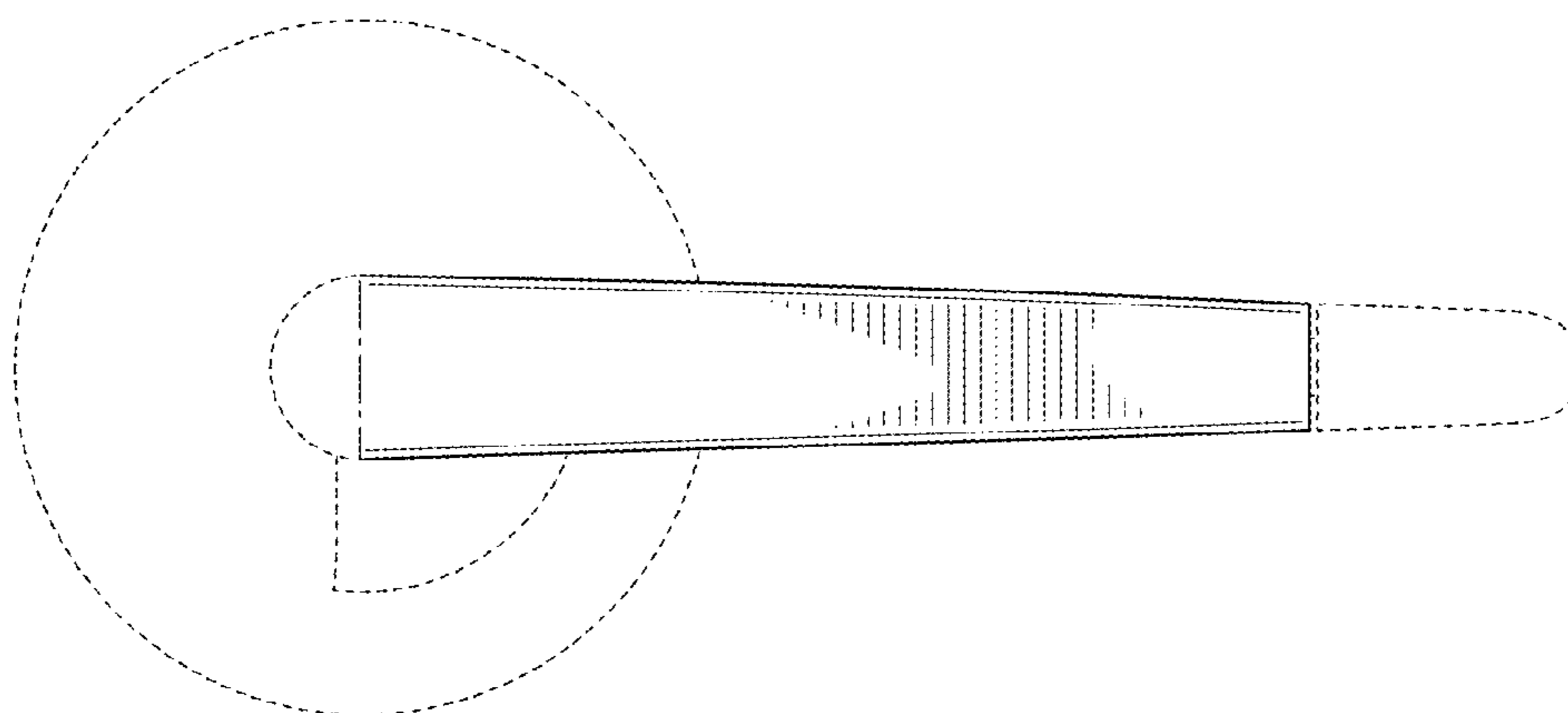


FIG. 2

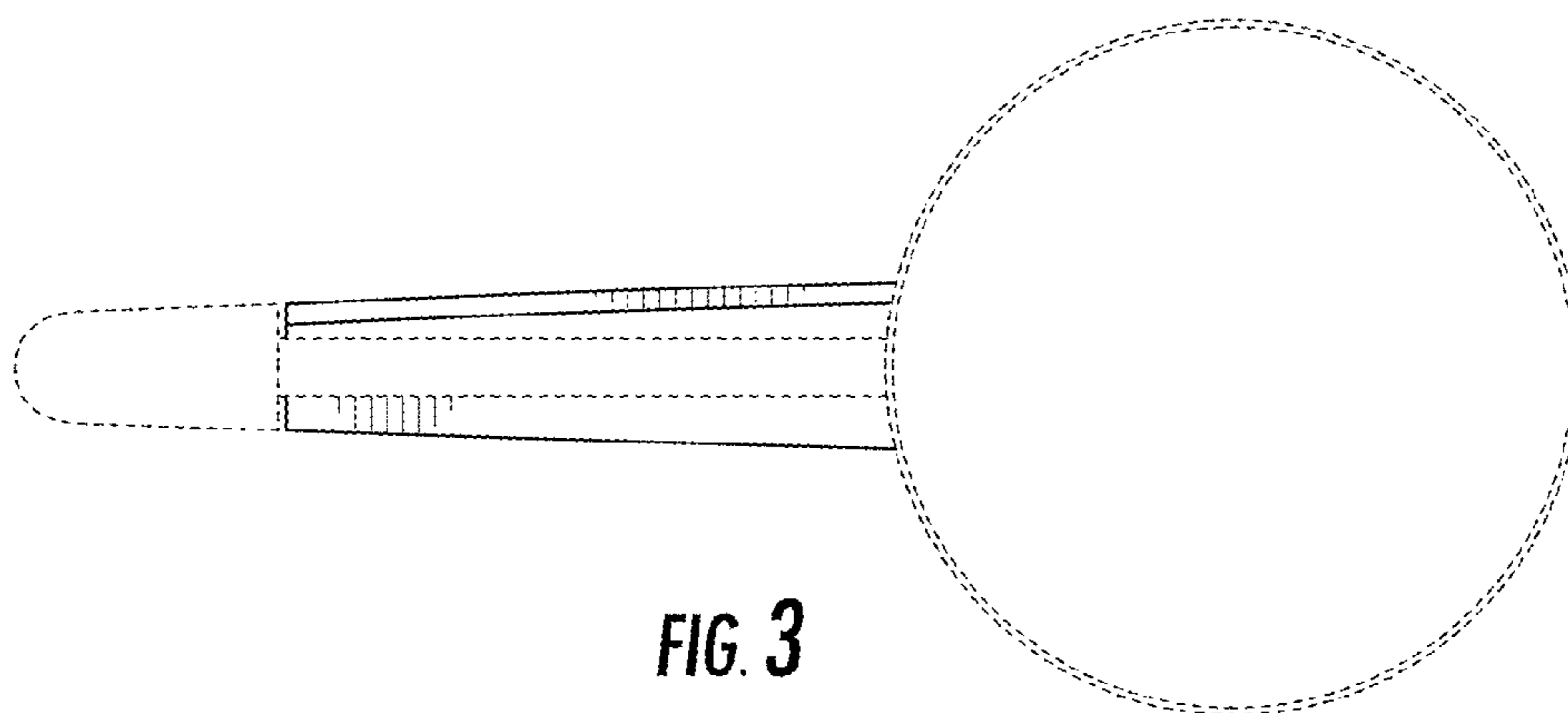
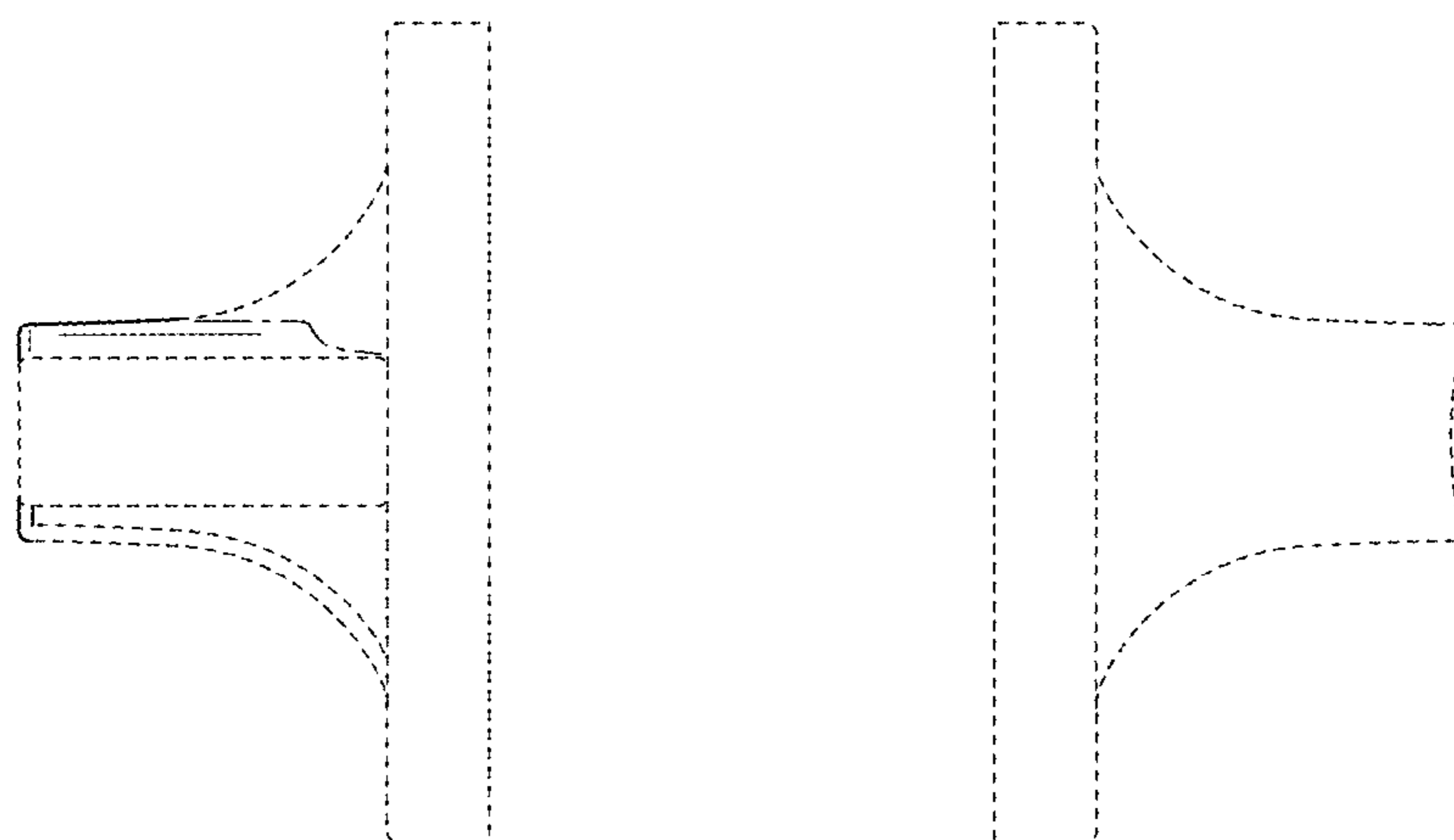
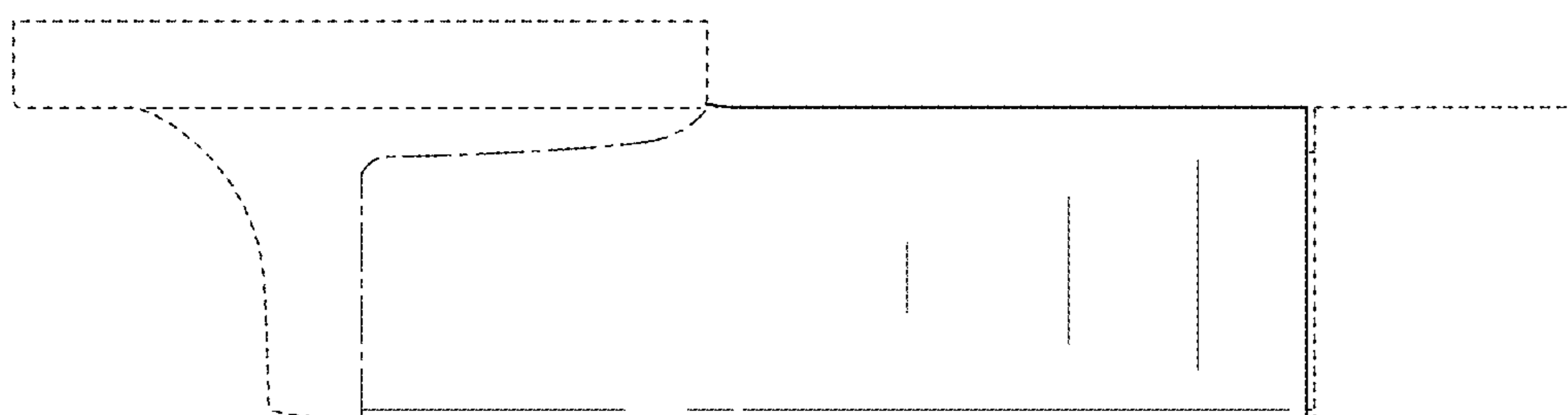


FIG. 3

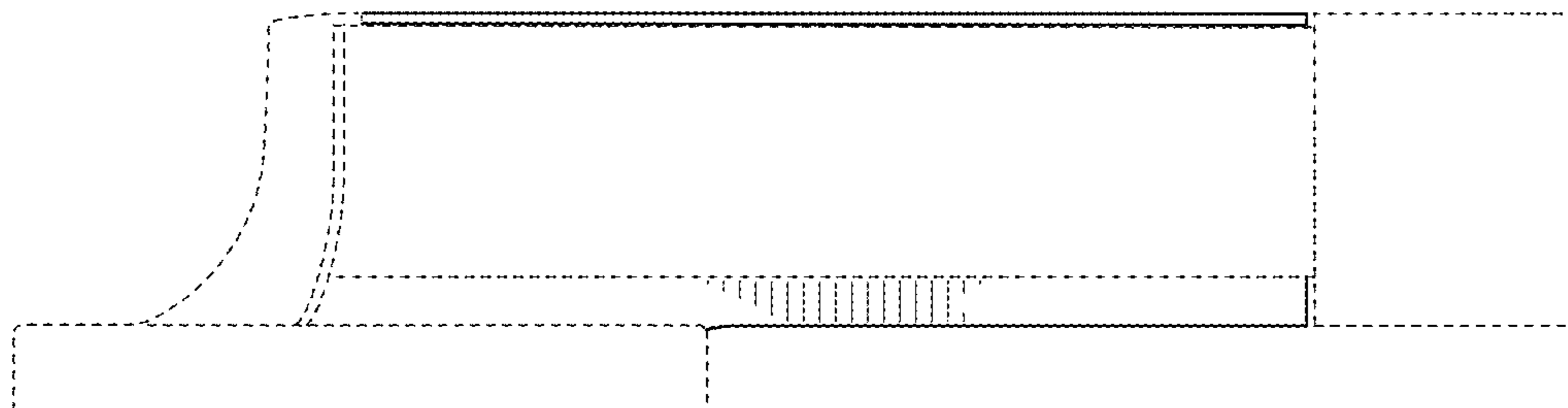


**FIG. 4**

**FIG. 5**



**FIG. 6**



**FIG. 7**

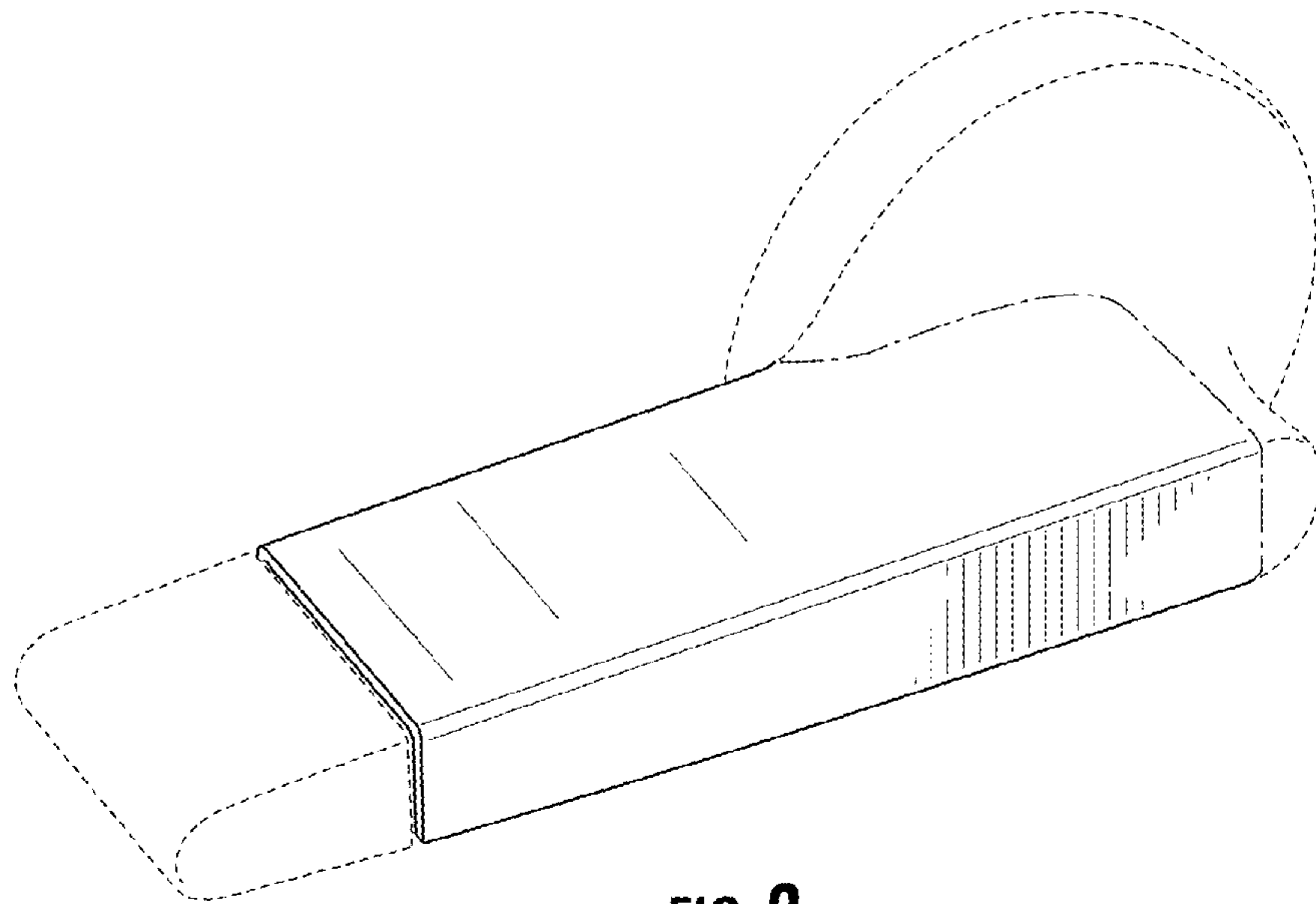


FIG. 8

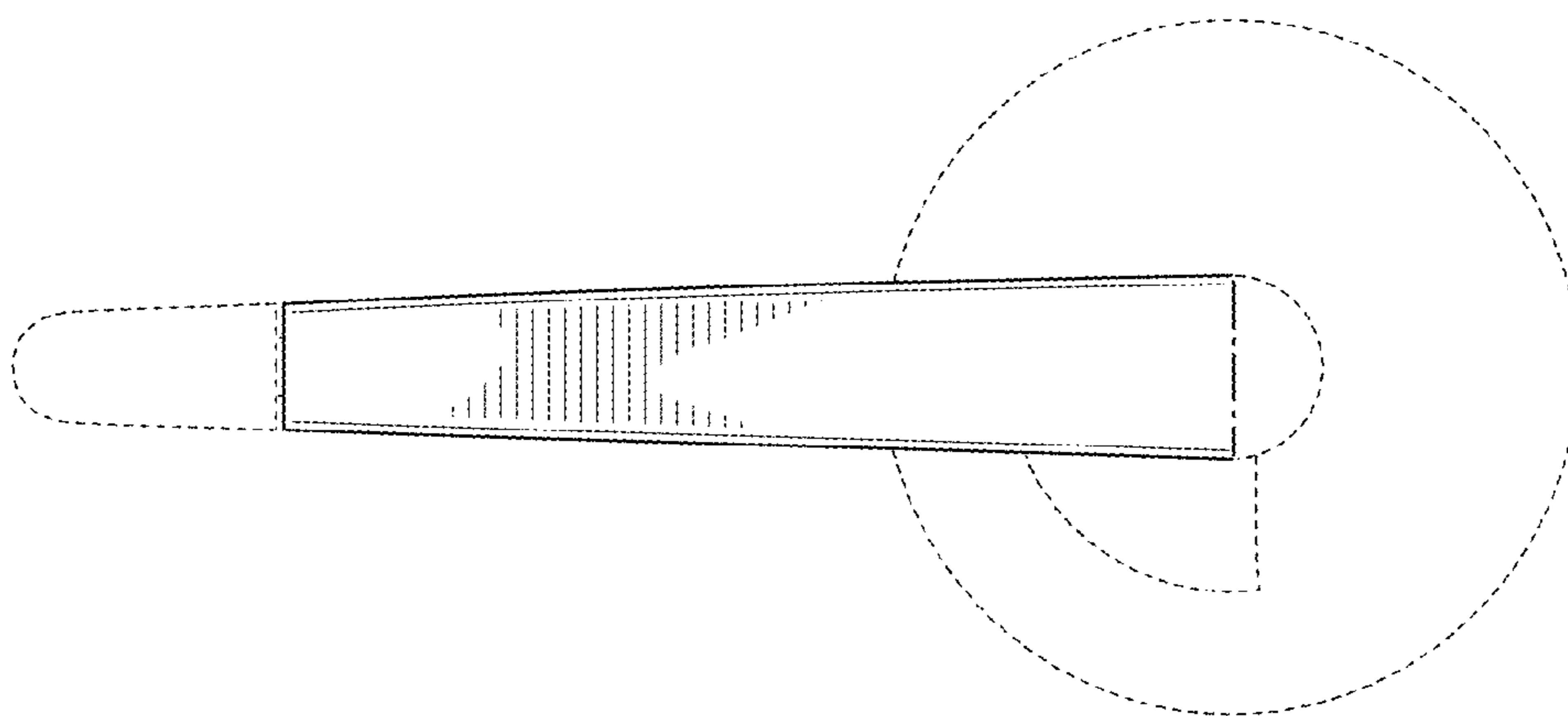


FIG. 9

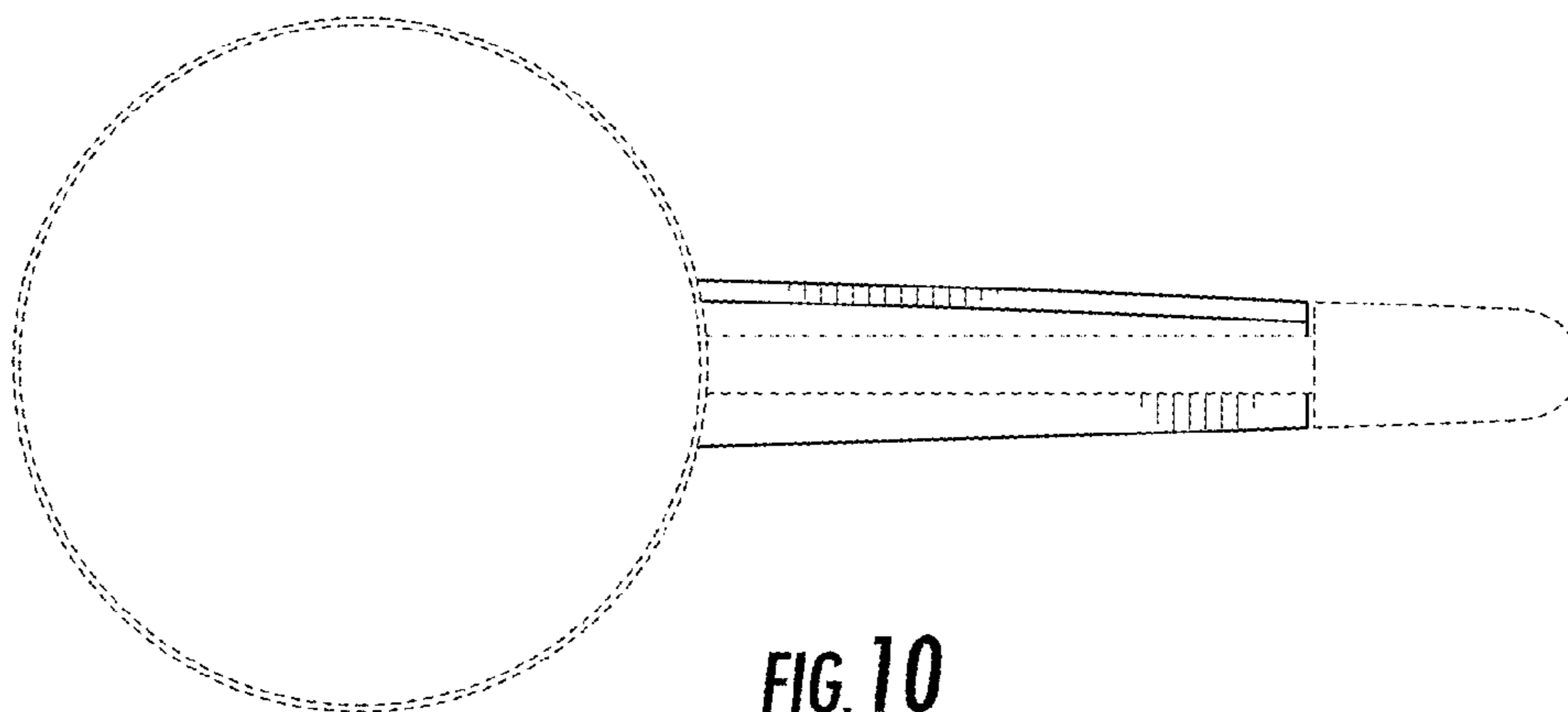
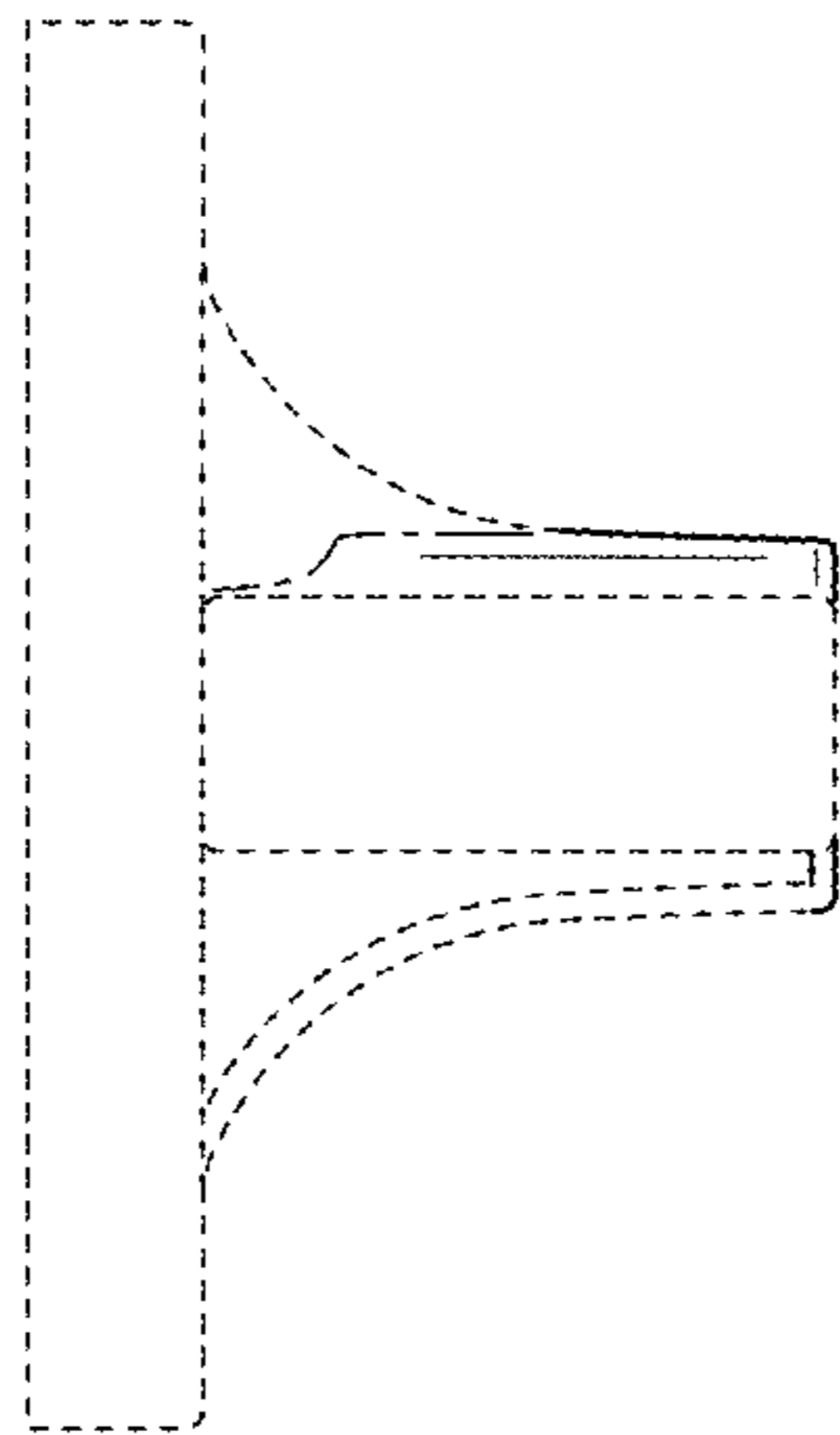
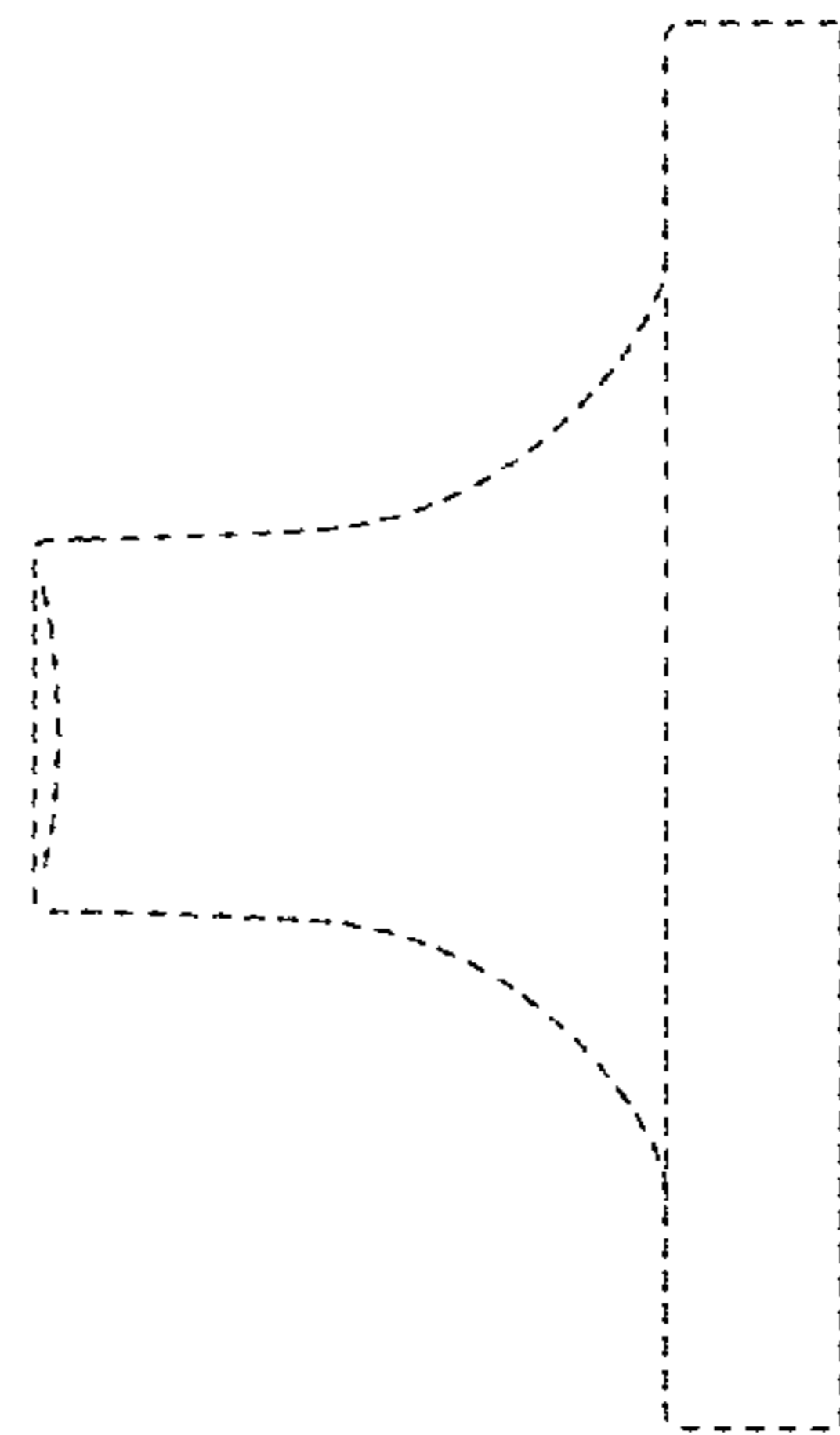


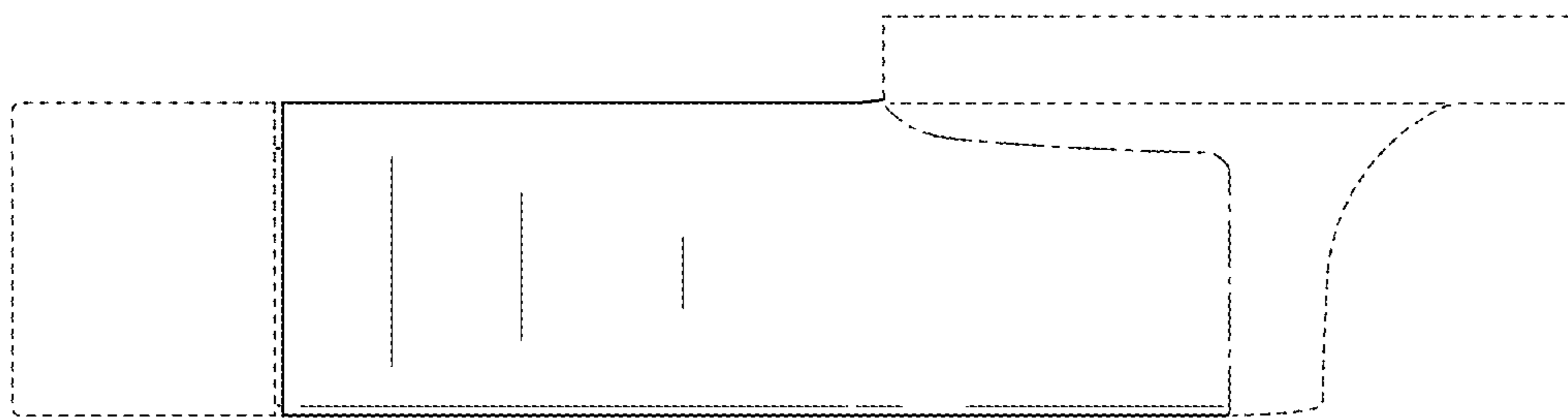
FIG. 10



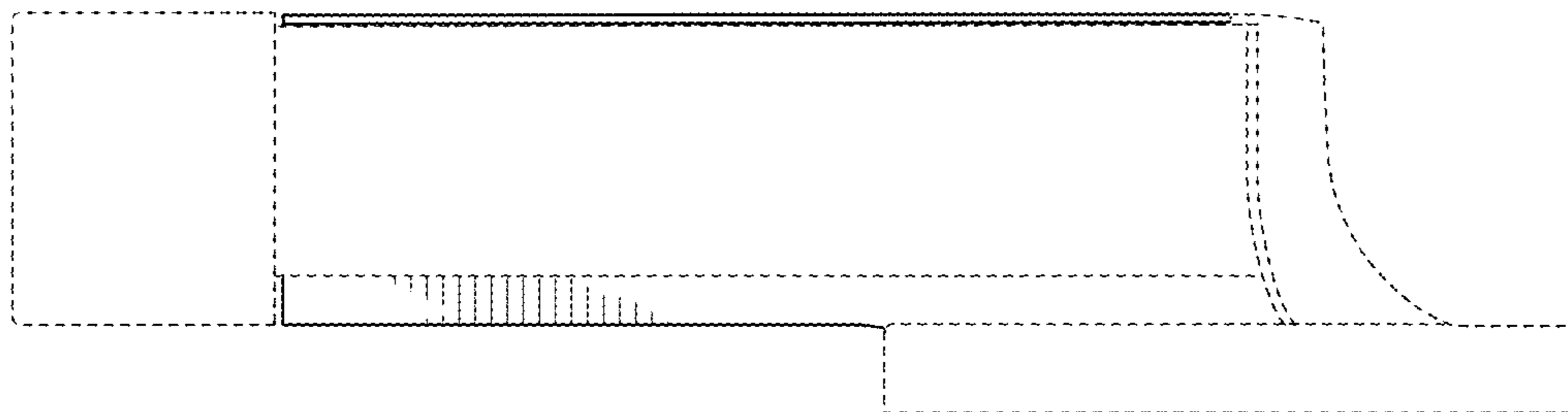
**FIG. 11**



**FIG. 12**



**FIG. 13**



**FIG. 14**