



US00D711512S

(12) **United States Design Patent**  
**Lai**

(10) **Patent No.:** **US D711,512 S**

(45) **Date of Patent:** **\*\* Aug. 19, 2014**

(54) **VALVE HANDLE**

(71) Applicant: **Hung-Lin Lai**, Changhua (TW)

(72) Inventor: **Hung-Lin Lai**, Changhua (TW)

(73) Assignee: **Wen Sheng Fu Co. Ltd.**, Changhua (TW)

(\*\*) Term: **14 Years**

(21) Appl. No.: **29/470,990**

(22) Filed: **Oct. 27, 2013**

(51) **LOC (10) Cl.** ..... **23-01**

(52) **U.S. Cl.**  
USPC ..... **D23/252**

(58) **Field of Classification Search**  
USPC ..... D23/238, 241-243, 249-250, 252, 245;  
4/675-678; 137/801; D7/398  
See application file for complete search history.

(56) **References Cited**

U.S. PATENT DOCUMENTS

D321,243 S	*	10/1991	Comstock, Jr.	.....	D23/245
D450,533 S	*	11/2001	Bellon et al.	.....	D7/398
D460,532 S	*	7/2002	Marcichow et al.	.....	D23/252
D605,259 S	*	12/2009	Scharf	.....	D23/255

\* cited by examiner

*Primary Examiner* — Robert Delehanty

(74) *Attorney, Agent, or Firm* — Che-Yang Chen; Law Office of Michael Chen

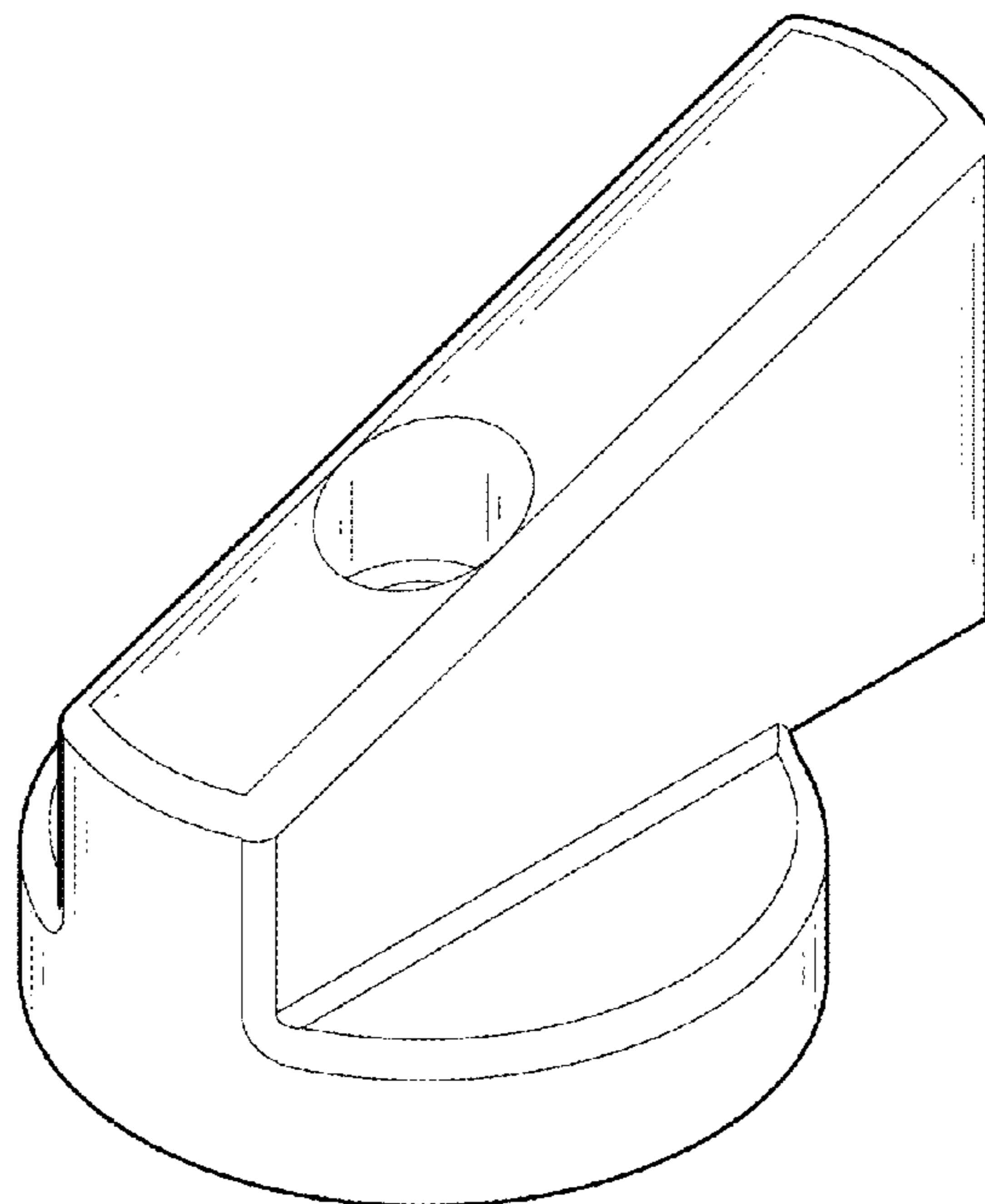
(57) **CLAIM**

The ornamental design for a valve handle, as shown and described.

**DESCRIPTION**

FIG. 1 is a perspective view of a valve handle showing my new design;  
 FIG. 2 is a rear elevational view thereof;  
 FIG. 3 is a front elevational view thereof;  
 FIG. 4 is a right side elevational view thereof;  
 FIG. 5 is a left side elevational view thereof;  
 FIG. 6 is a top plan view thereof;  
 FIG. 7 is a bottom plan view thereof;  
 FIG. 8 is a schematic view of the valve handle attached to a first object when in use;  
 FIG. 9 is a schematic view of the valve handle attached to a second object when in use;  
 FIG. 10 is a schematic view of the valve handle attached to a third object when in use; and,  
 FIG. 11 is a schematic view of the valve handle attached to a fourth object when in use.  
 The broken lines in FIGS. 7 to 11 are for illustrative purposes only and form no part of the claimed design.

**1 Claim, 8 Drawing Sheets**



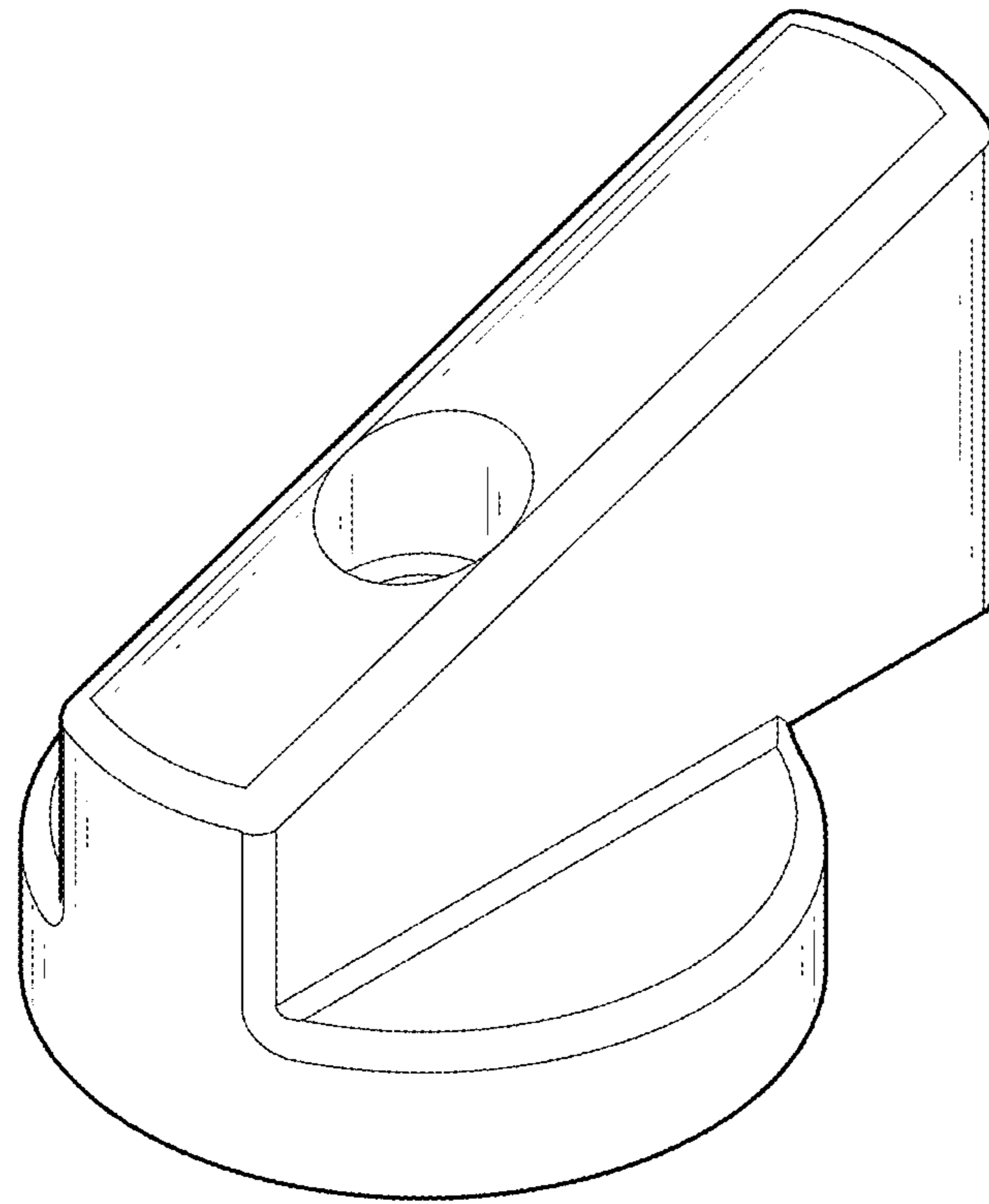


FIG.1

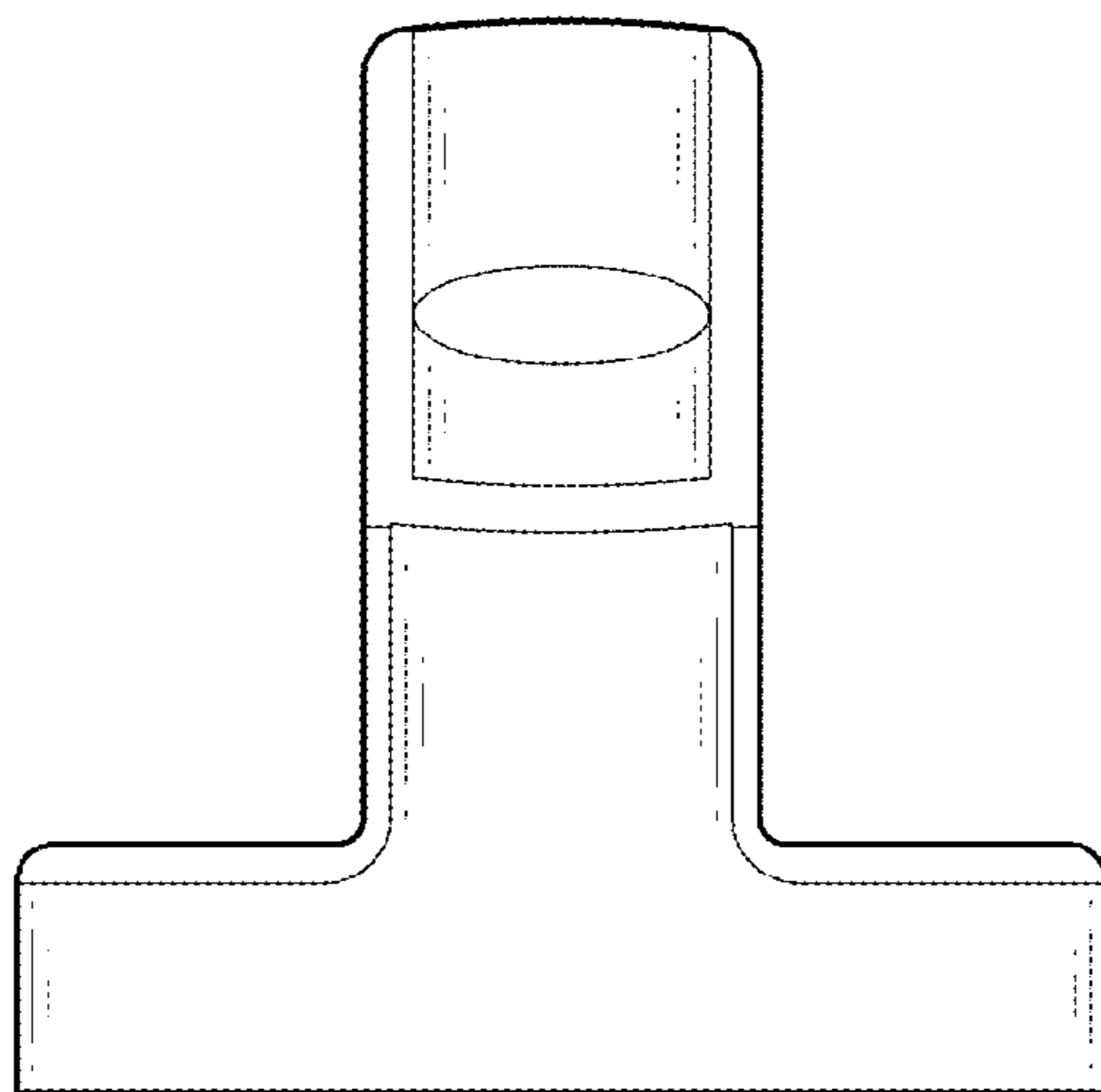


FIG. 2

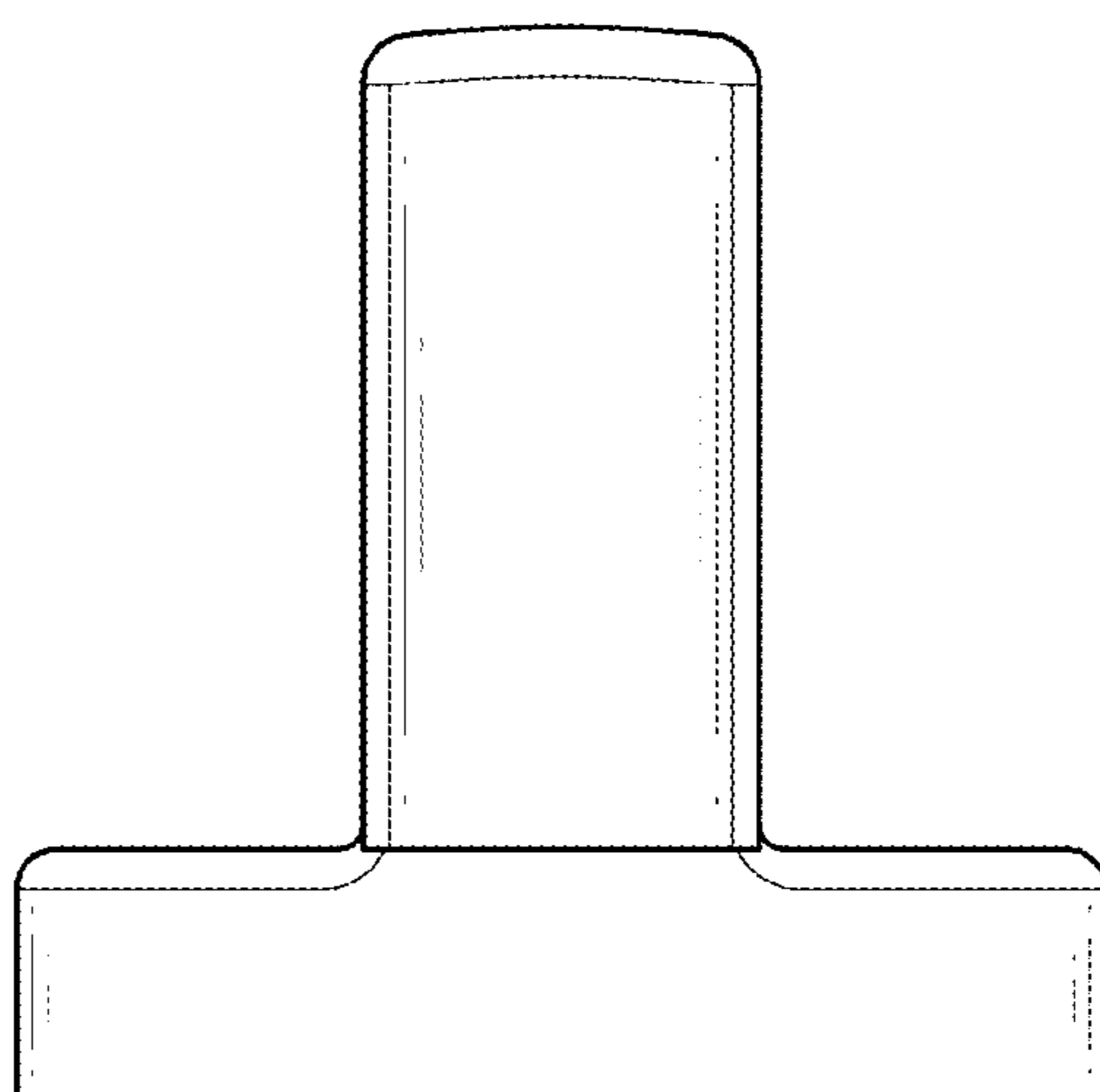


FIG. 3

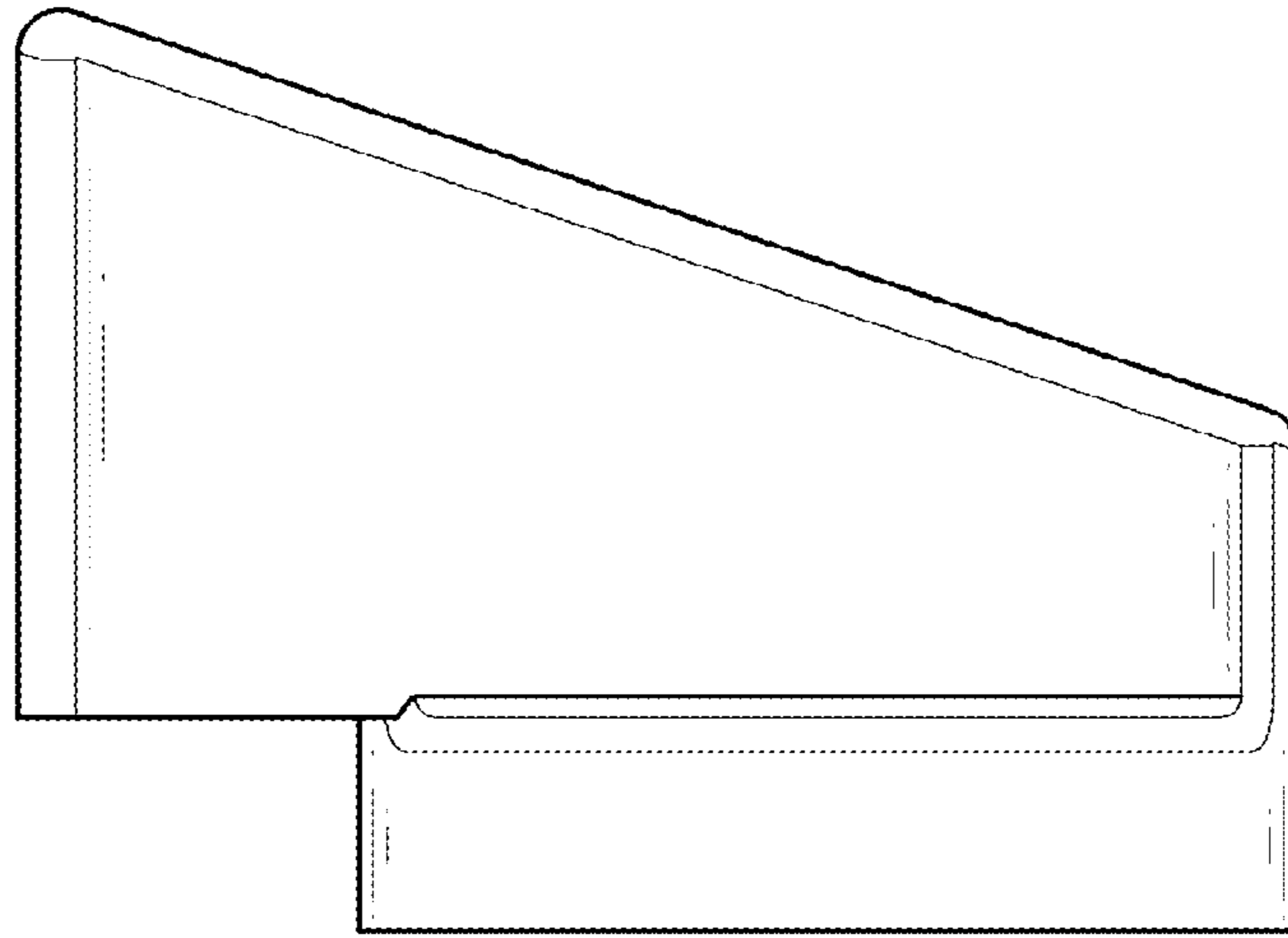


FIG. 4

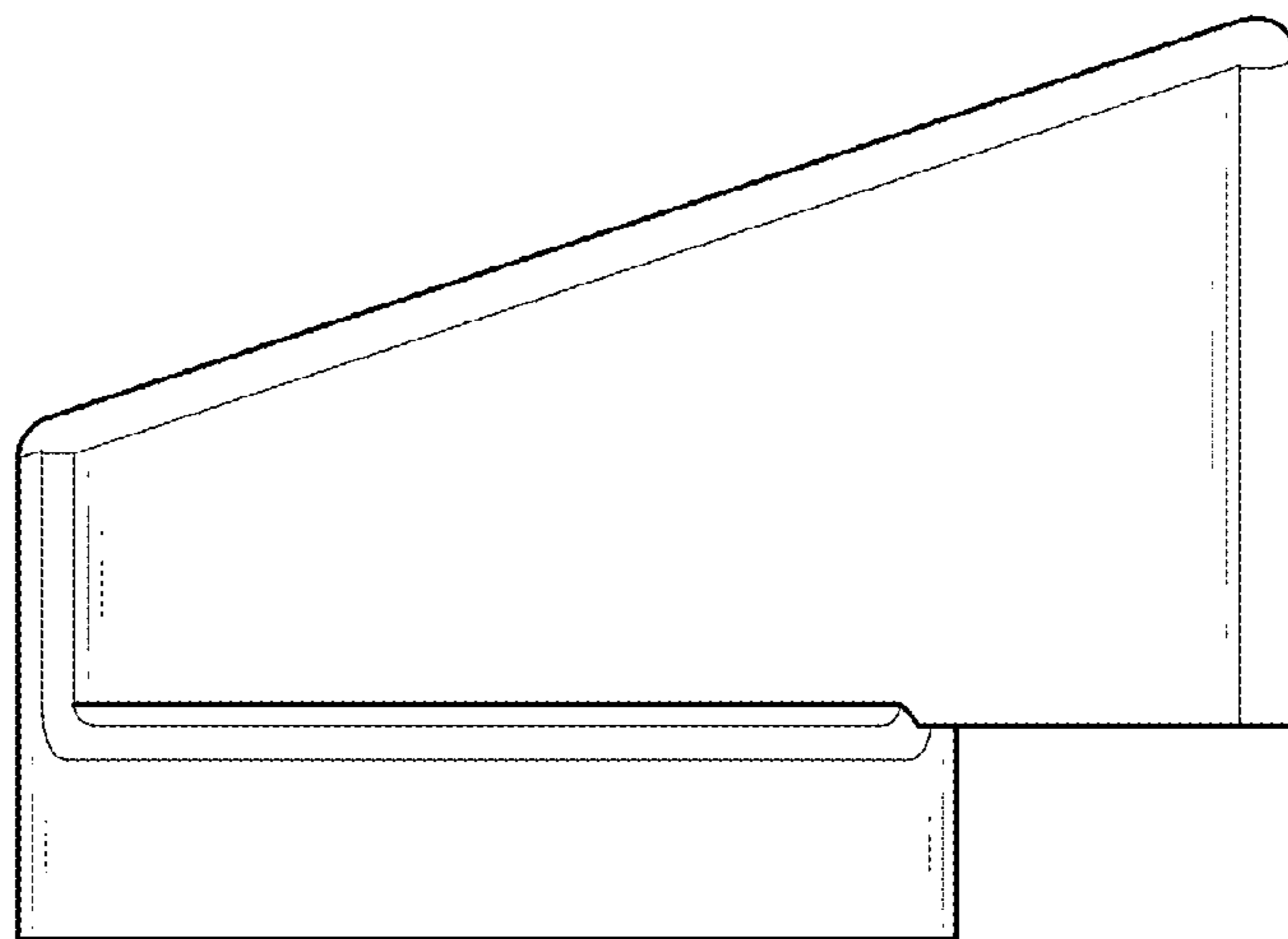


FIG. 5

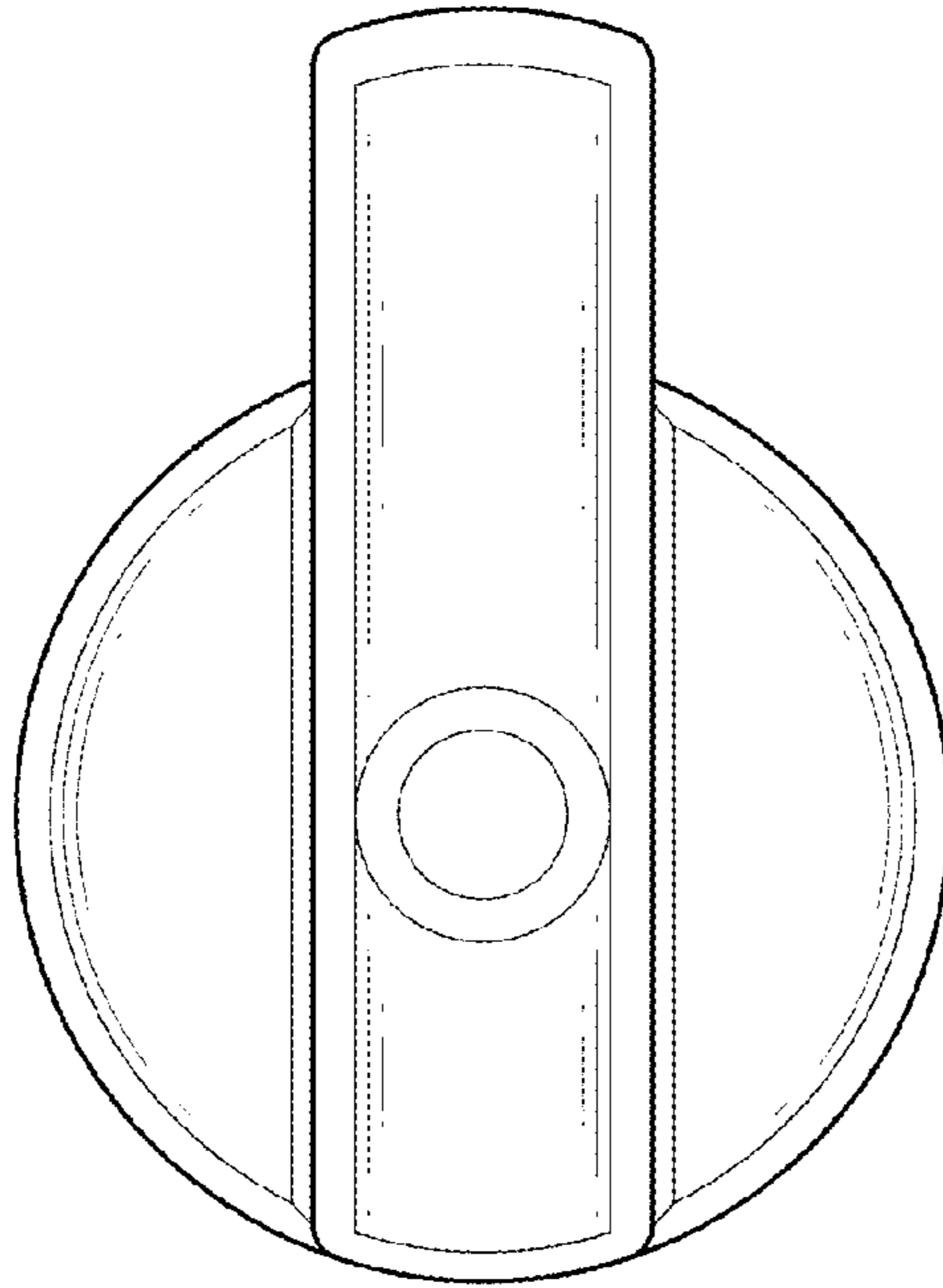


FIG.6

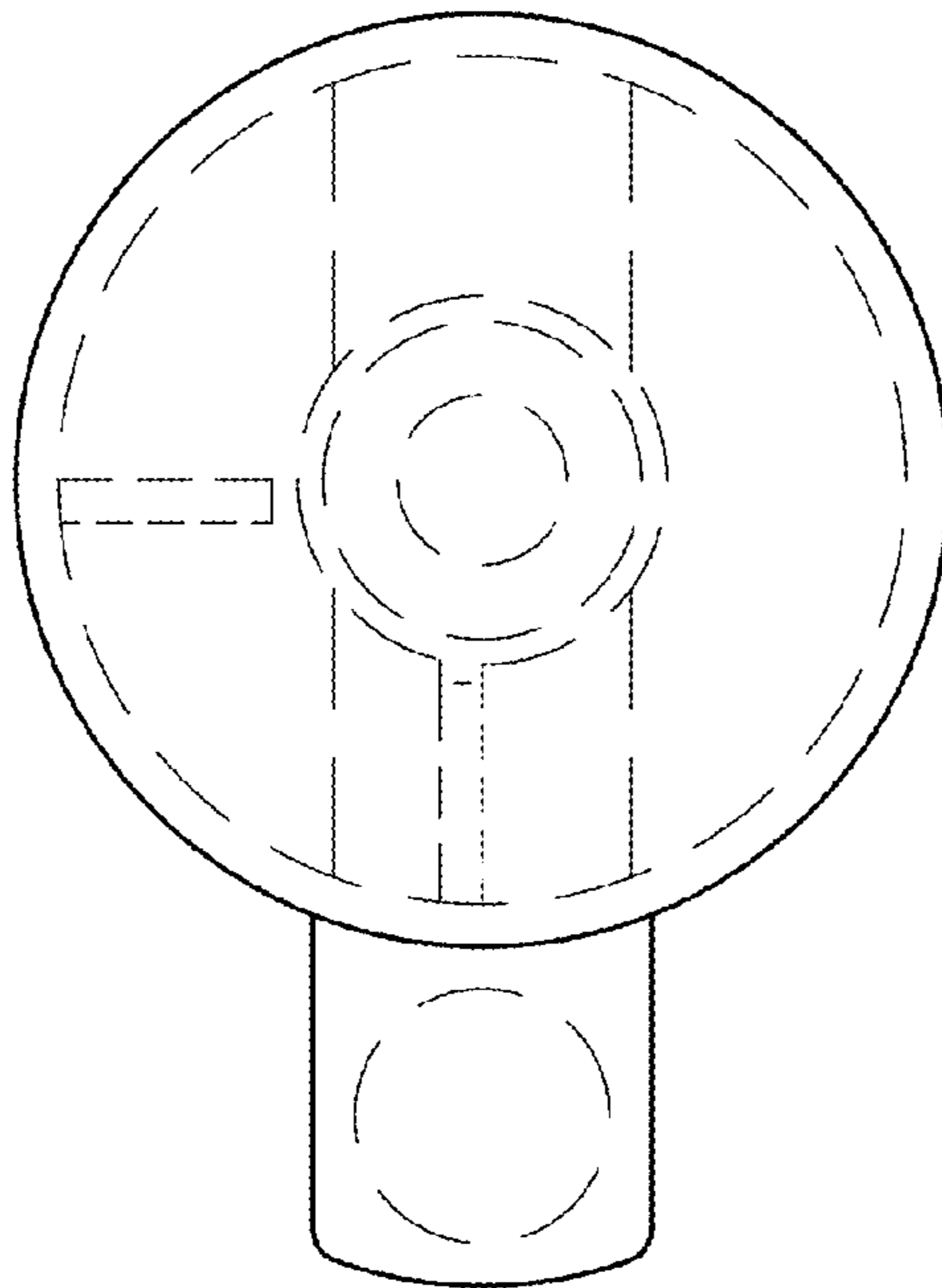


FIG.7

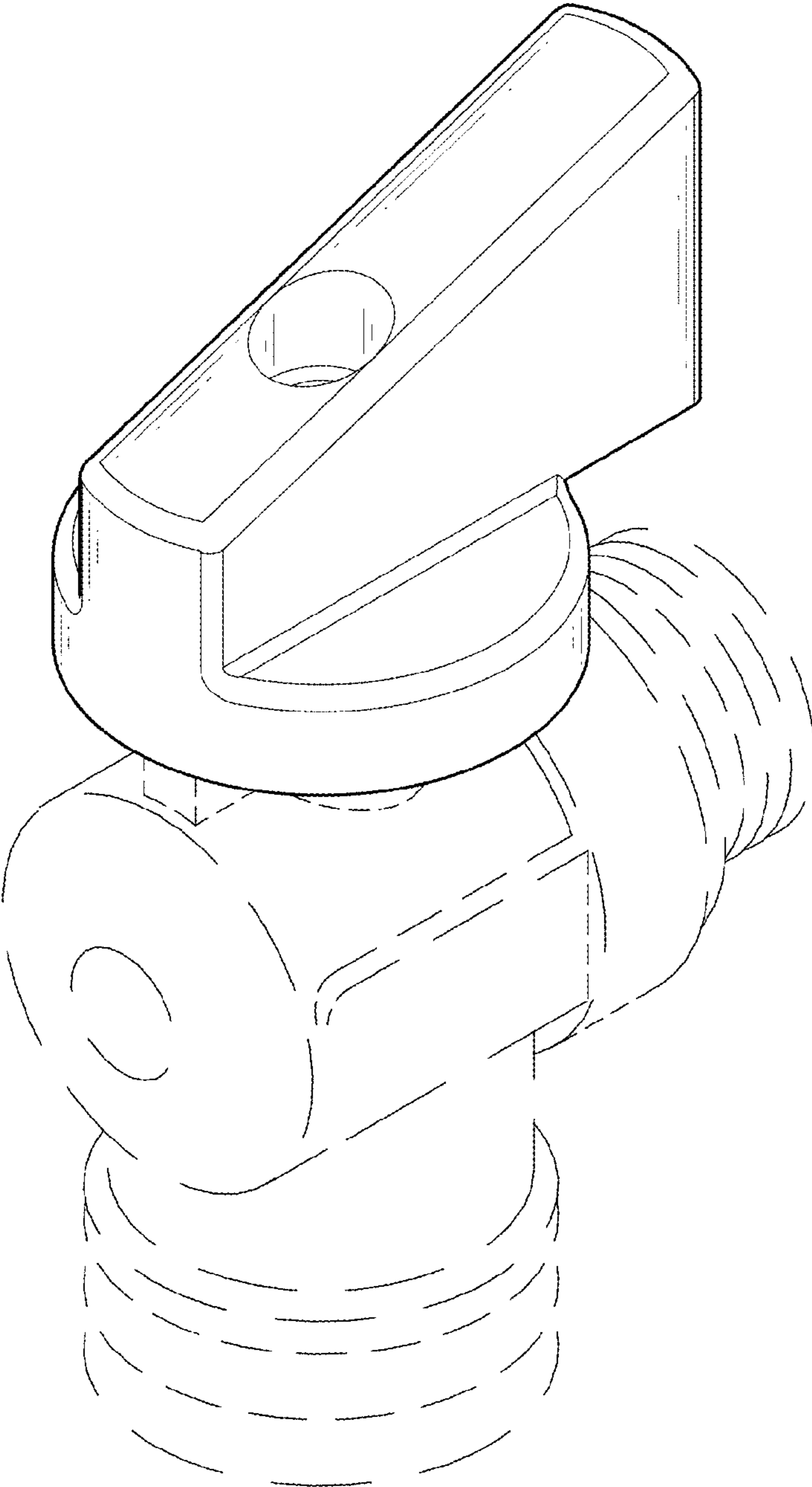


FIG.8

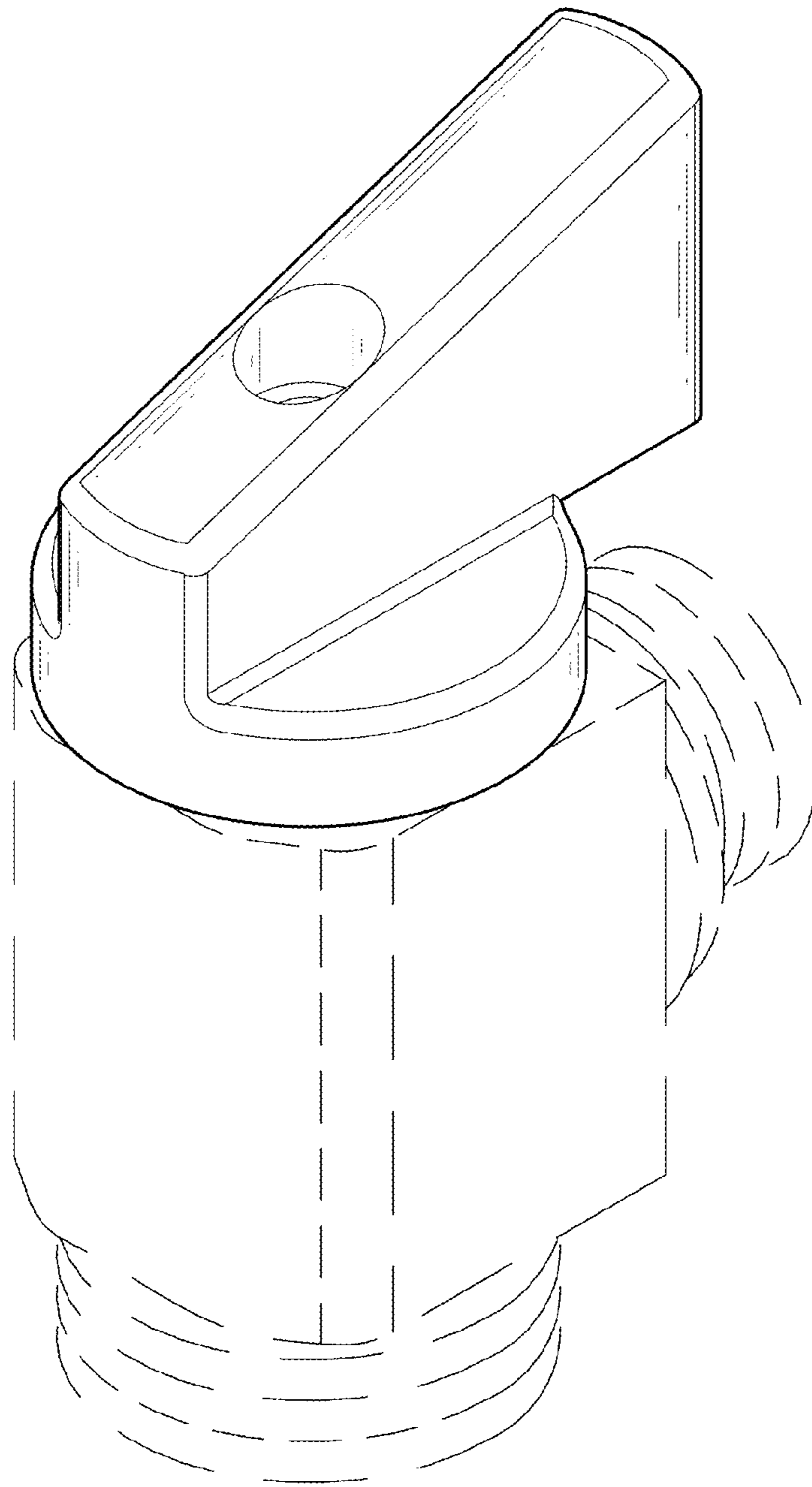


FIG.9

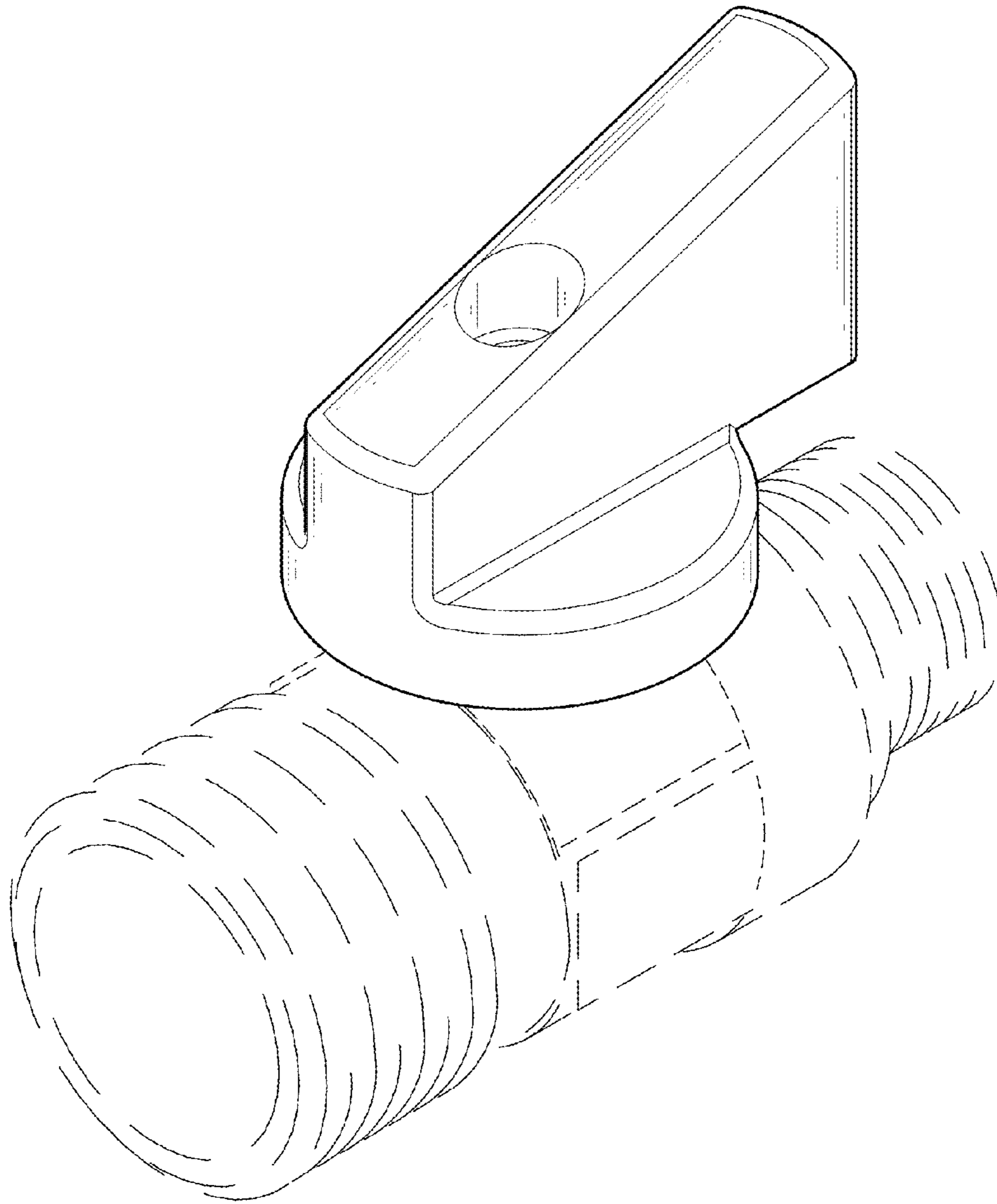


FIG.10



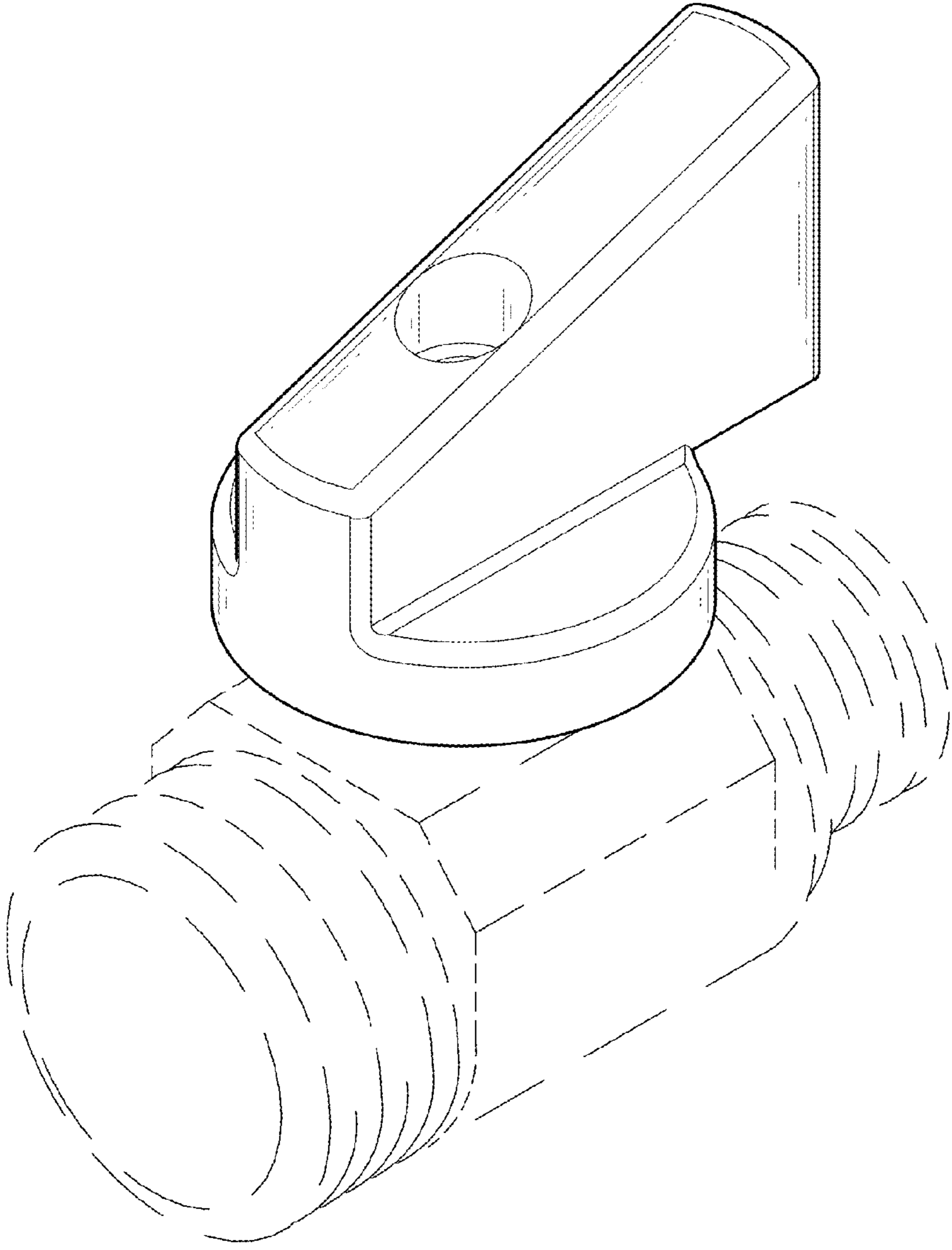


FIG.11