



US00D711509S

(12) **United States Design Patent**
Sisk

(10) **Patent No.:** **US D711,509 S**

(45) **Date of Patent:** **** Aug. 19, 2014**

- (54) **AERATION BUTTERFLY VALVE**
- (71) Applicant: **David E. Sisk**, Bonne Terre, MO (US)
- (72) Inventor: **David E. Sisk**, Bonne Terre, MO (US)
- (73) Assignee: **Bulk Tank Inc.**, Park Hills, MO (US)
- (**) Term: **14 Years**
- (21) Appl. No.: **29/442,171**

5,052,655	A *	10/1991	Ackroyd	251/95
5,058,622	A *	10/1991	Chitty et al.	137/385
D321,928	S *	11/1991	Milo	D23/245
5,188,335	A *	2/1993	Pettinaroli	251/95
D359,343	S *	6/1995	Dawson	D23/262
5,598,724	A *	2/1997	Primeau	70/177
D400,970	S *	11/1998	Voo	D23/245
D468,806	S *	1/2003	Ripkey	D23/233
6,959,909	B2 *	11/2005	Bancroft et al.	251/109
D588,232	S *	3/2009	Giacomini	D23/233
D624,628	S *	9/2010	Haynes	D23/233
D686,298	S *	7/2013	Ching et al.	D23/233

* cited by examiner

- (22) Filed: **Dec. 26, 2012**
- (51) **LOC (10) Cl.** **23-01**
- (52) **U.S. Cl.**
USPC **D23/233**
- (58) **Field of Classification Search**
USPC D23/233-237, 244-249; 251/95, 99,
251/104, 324, 318; 137/541, 542, 516.29
See application file for complete search history.

Primary Examiner — Cynthia Ramirez
(74) *Attorney, Agent, or Firm* — Paul M. Denk

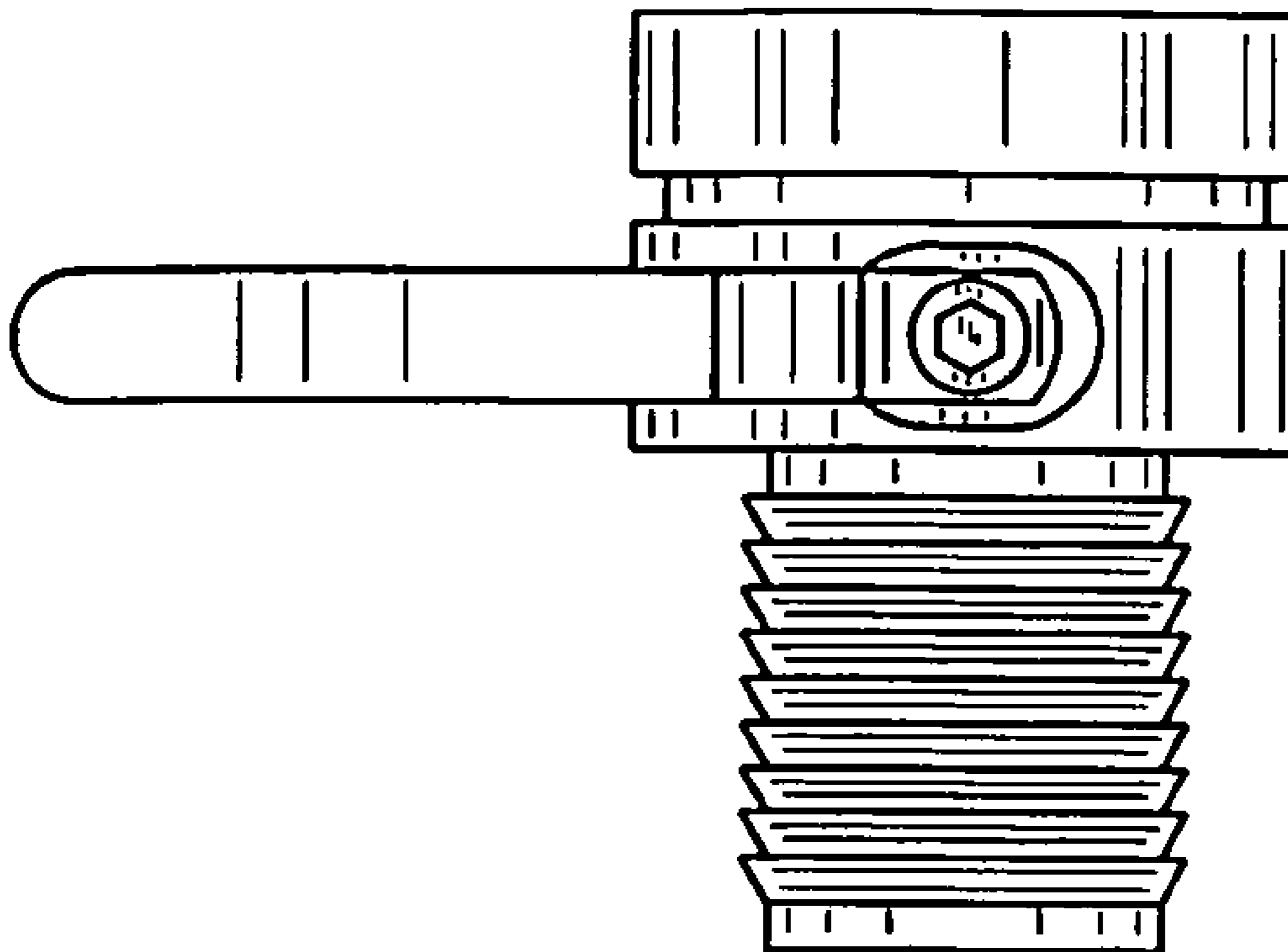
(57) **CLAIM**
The ornamental design for the aeration butterfly valve, as shown and described.

DESCRIPTION

FIG. 1 is a top view of the aeration butterfly valve of this invention;
FIG. 2 is a bottom view;
FIG. 3 is a left side view;
FIG. 4 is a right side view;
FIG. 5 is a front view; and,
FIG. 6 is a back view.

- (56) **References Cited**
U.S. PATENT DOCUMENTS
D158,338 S * 4/1950 Szitar D23/245
D191,425 S * 9/1961 Popp D23/245
D297,354 S * 8/1988 Wirth D23/245
4,770,388 A * 9/1988 Carman 251/95

1 Claim, 1 Drawing Sheet



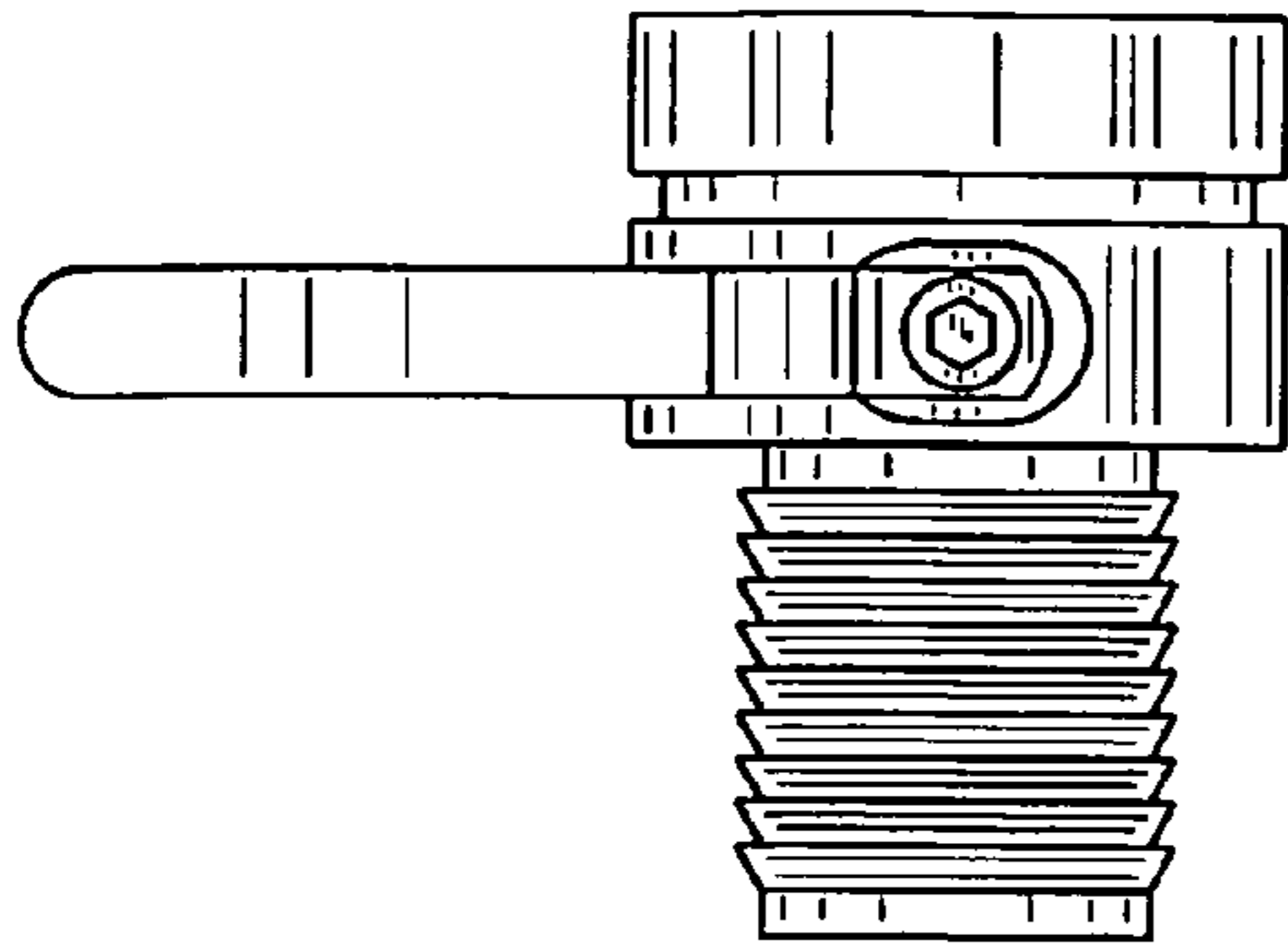


FIG. 1

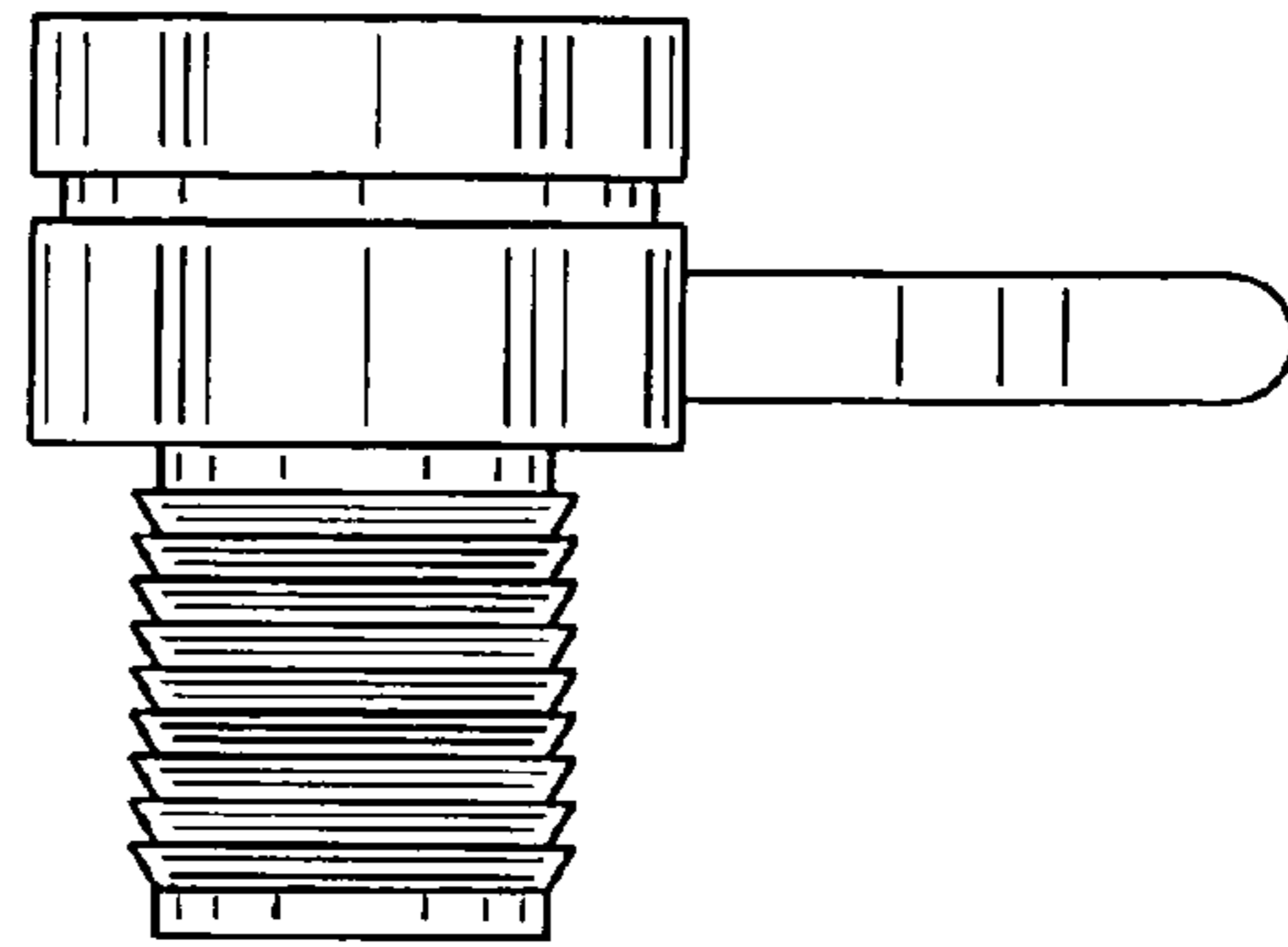


FIG. 2

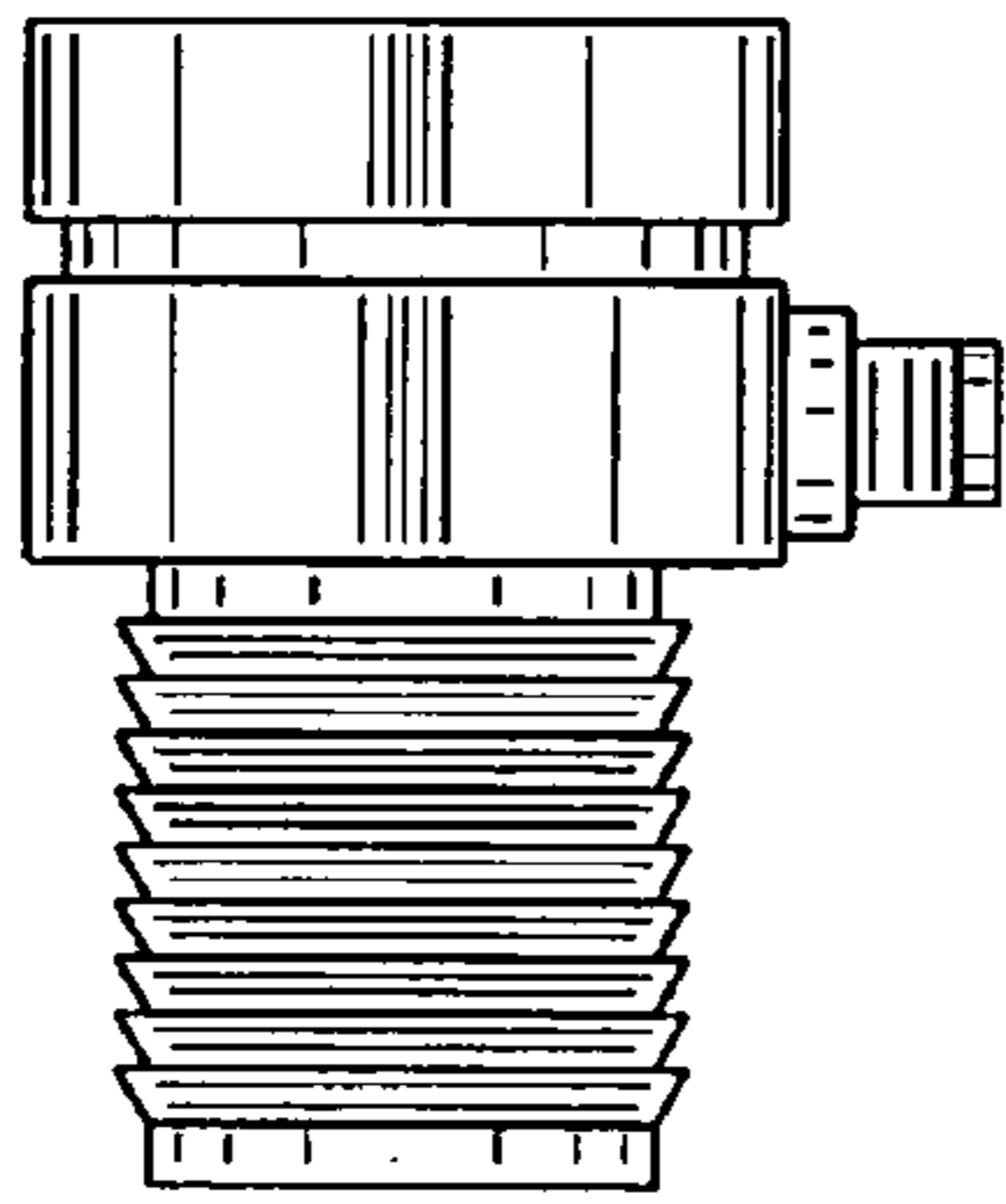


FIG. 3

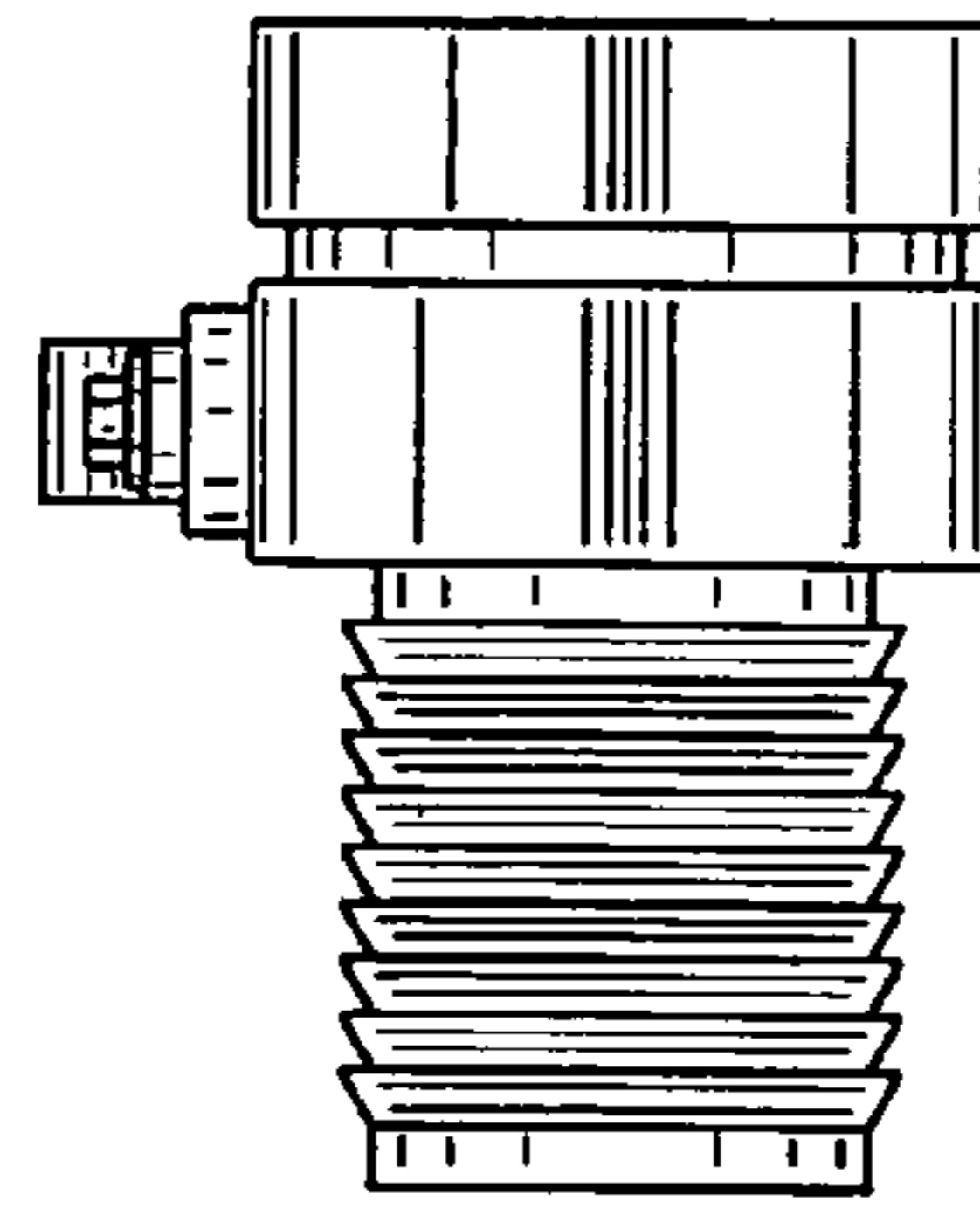


FIG. 4

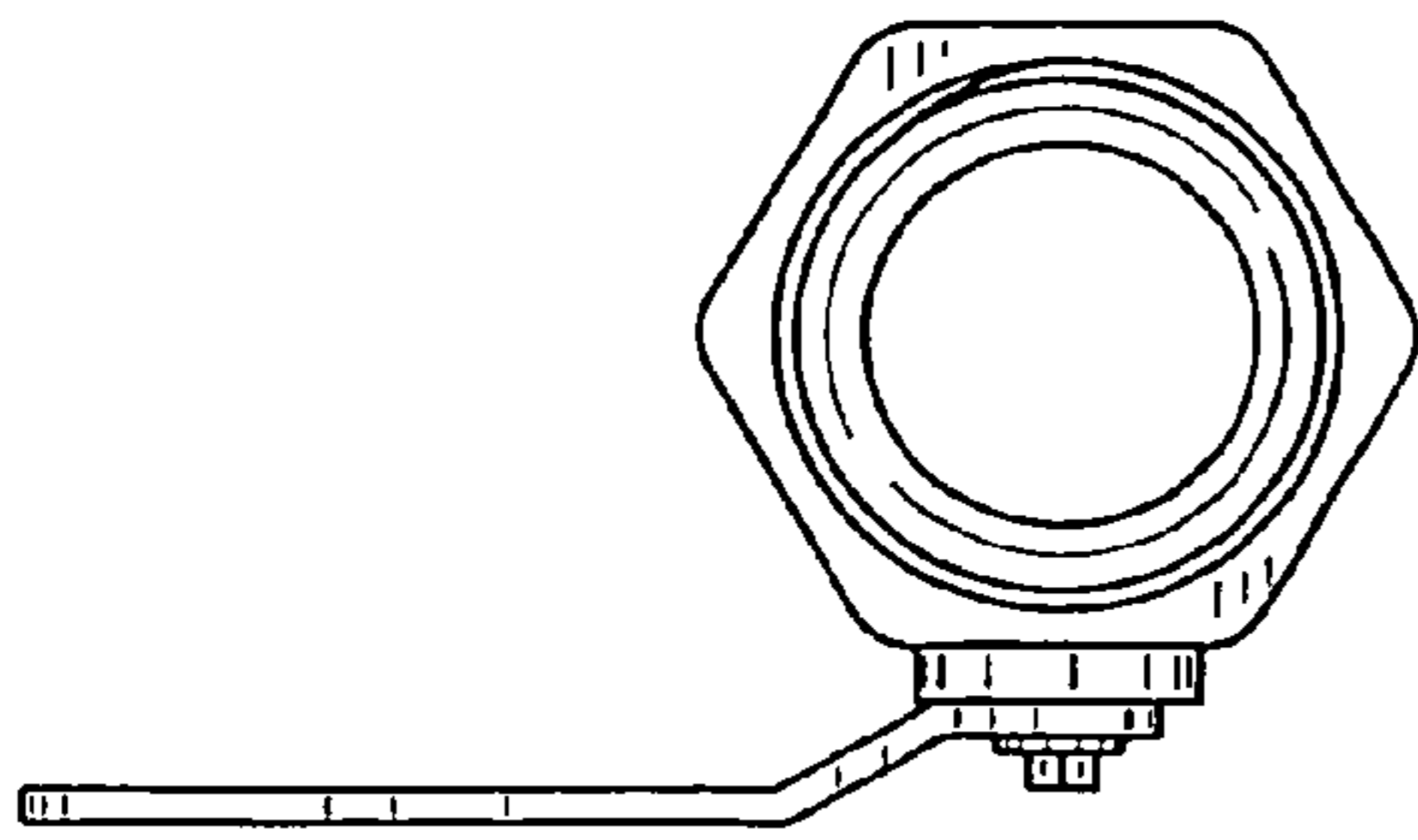


FIG. 5

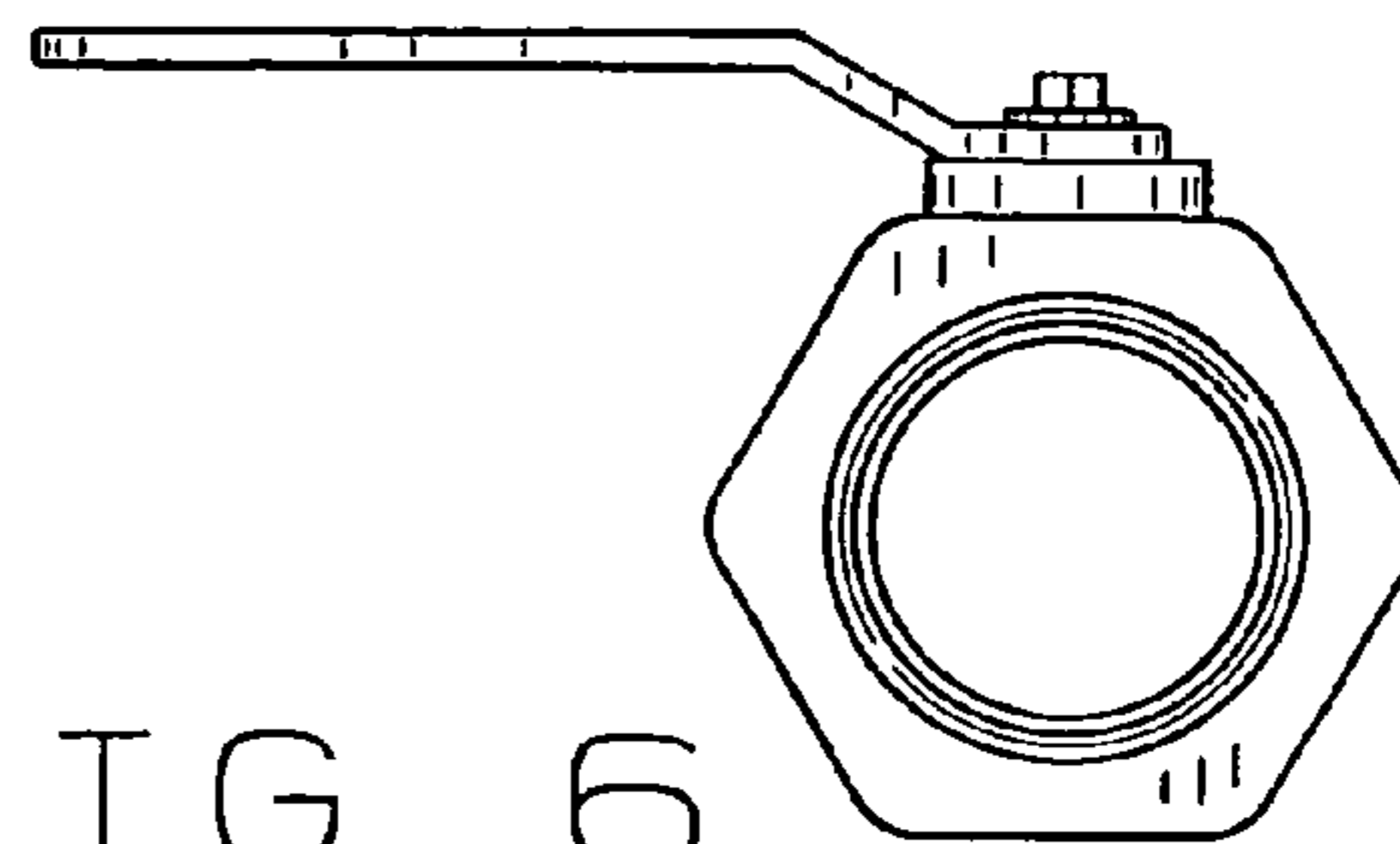


FIG. 6