



US00D711508S

(12) **United States Design Patent**
Yumoto

(10) **Patent No.:** **US D711,508 S**

(45) **Date of Patent:** **** Aug. 19, 2014**

(54) **LIQUID PRESSURE-FEEDING MACHINE**

(71) Applicant: **TLV Co., Ltd.**, Kakogawa (JP)

(72) Inventor: **Hideaki Yumoto**, Kakogawa (JP)

(73) Assignee: **TLV Co., Ltd.**, Hyogo (JP)

(**) Term: **14 Years**

(21) Appl. No.: **29/435,649**

(22) Filed: **Oct. 26, 2012**

(30) **Foreign Application Priority Data**

Apr. 27, 2012 (JP) 2012-010044

(51) **LOC (10) Cl.** **23-01**

(52) **U.S. Cl.**
USPC **D23/233**

(58) **Field of Classification Search**
USPC D23/233-237, 244-249; 137/505,
137/505.42, 116.3; 251/1-9, 288, 337
See application file for complete search history.

(56) **References Cited**

U.S. PATENT DOCUMENTS

D215,438 S	*	10/1969	Holm	D23/233
D228,234 S	*	8/1973	Willets	D23/245
D236,980 S	*	9/1975	Callhan et al.	D23/233
D370,054 S	*	5/1996	Nakadaira et al.	D23/245
D386,985 S	*	12/1997	Cameron	D10/40
D403,049 S	*	12/1998	Ohtani et al.	D23/233

D460,526 S	*	7/2002	Weingarten	D23/244
D496,091 S	*	9/2004	Katzman et al.	D23/235
D504,715 S	*	5/2005	Hagihara	D23/235
D620,555 S	*	7/2010	Chuang et al.	D23/233
D622,350 S	*	8/2010	Gramegna et al.	D23/233
D629,493 S	*	12/2010	Dane et al.	D23/233
D637,270 S	*	5/2011	Nicolia et al.	D23/235
D676,110 S	*	2/2013	Oike et al.	D23/233
D681,172 S	*	4/2013	Fujita	D23/248
D687,124 S	*	7/2013	Weingarten	D23/233
D691,703 S	*	10/2013	Iransi et al.	D23/233
D692,100 S	*	10/2013	Freeth	D23/233
D700,954 S	*	3/2014	Weingarten	D23/233

* cited by examiner

Primary Examiner — Cynthia Ramirez

(74) *Attorney, Agent, or Firm* — The Webb Law Firm

(57) **CLAIM**

The ornamental design for a liquid pressure-feeding machine, as shown and described.

DESCRIPTION

FIG. 1 is an upper right front perspective view of a liquid pressure-feeding machine in accordance with the design; FIG. 2 is a front view thereof; FIG. 3 is a left side view thereof; FIG. 4 is a right side view thereof; FIG. 5 is a rear view thereof; FIG. 6 is a top view thereof; and, FIG. 7 is a bottom view thereof.

1 Claim, 7 Drawing Sheets

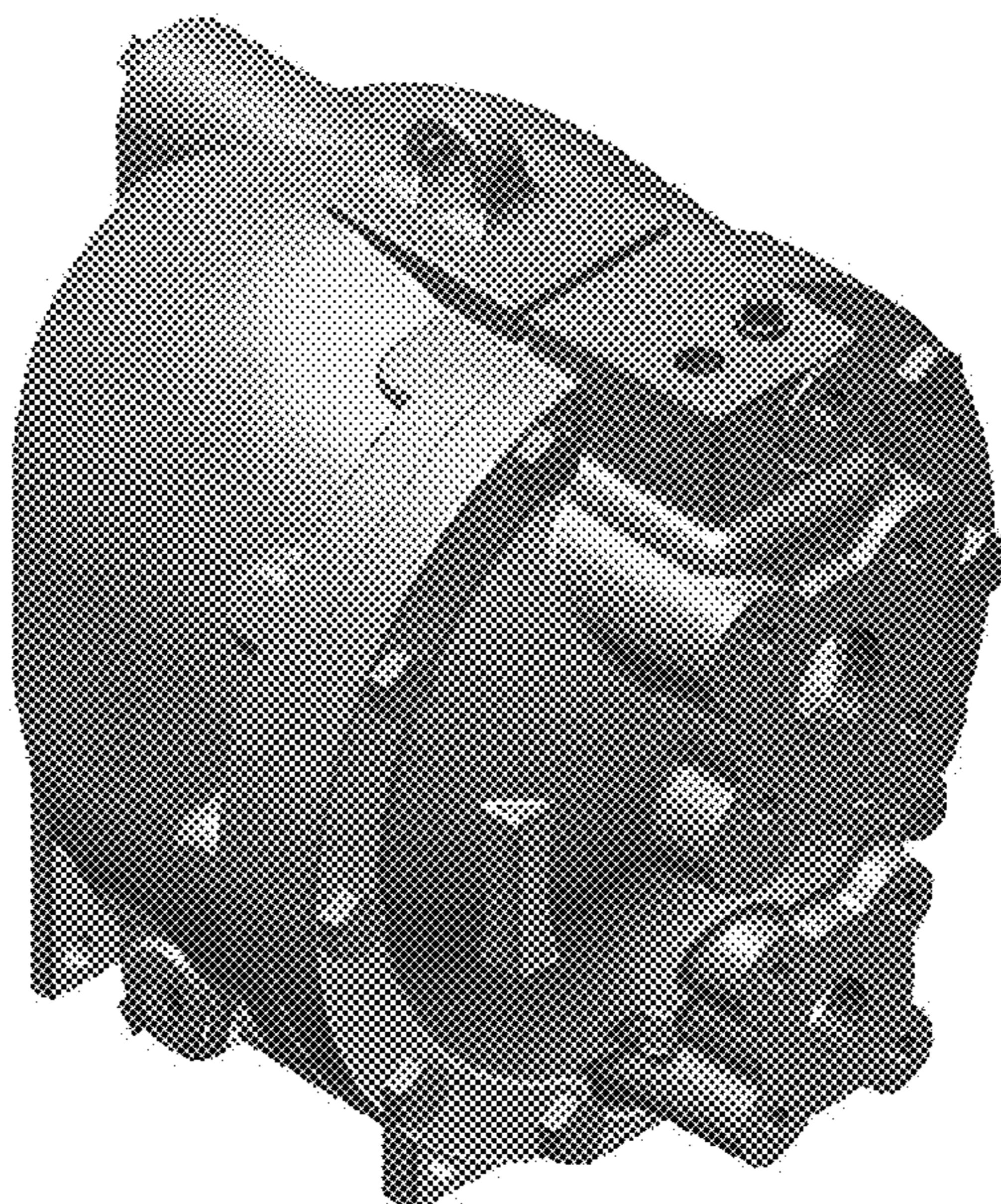


Fig. 1

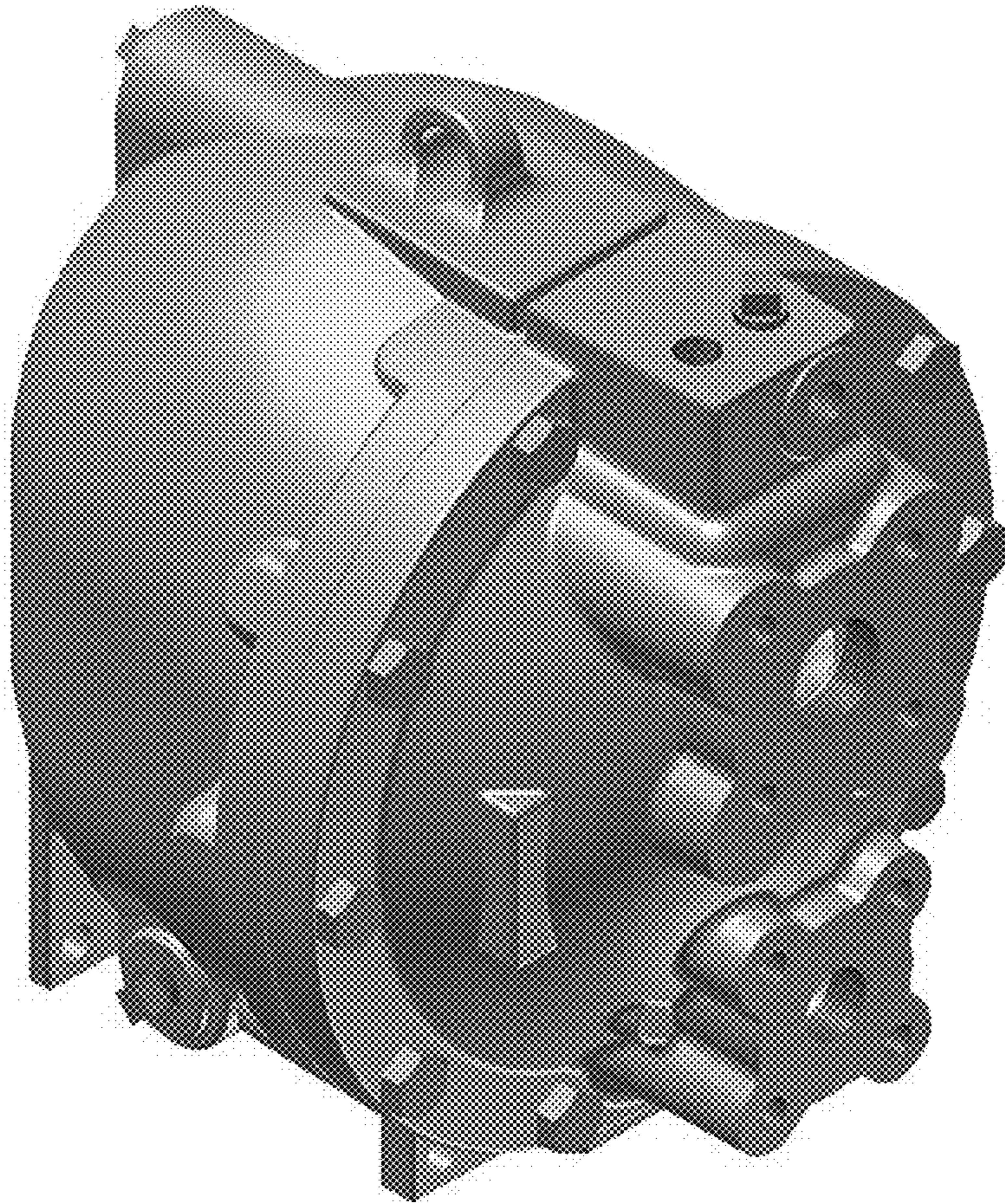


Fig. 2

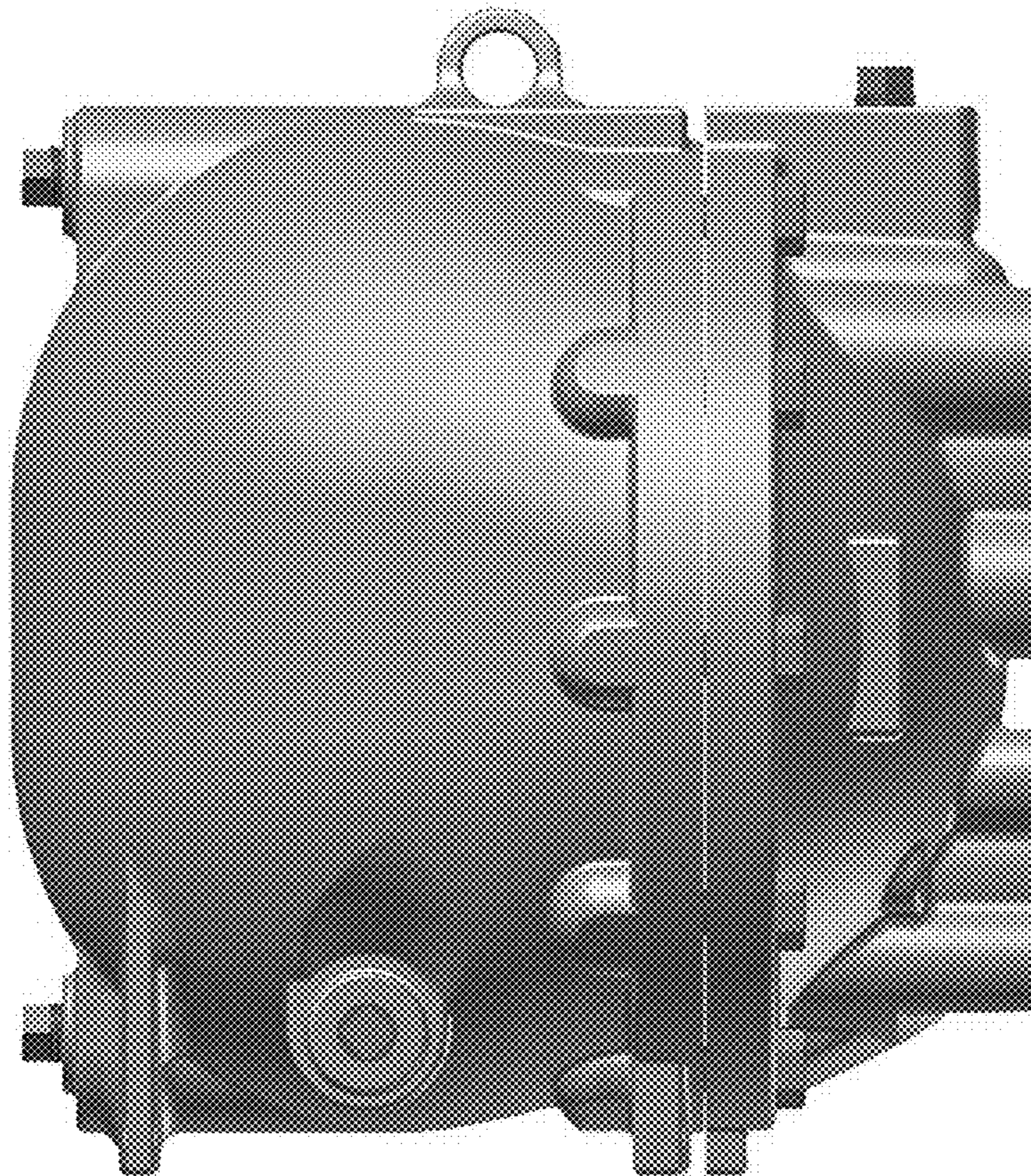


Fig. 3

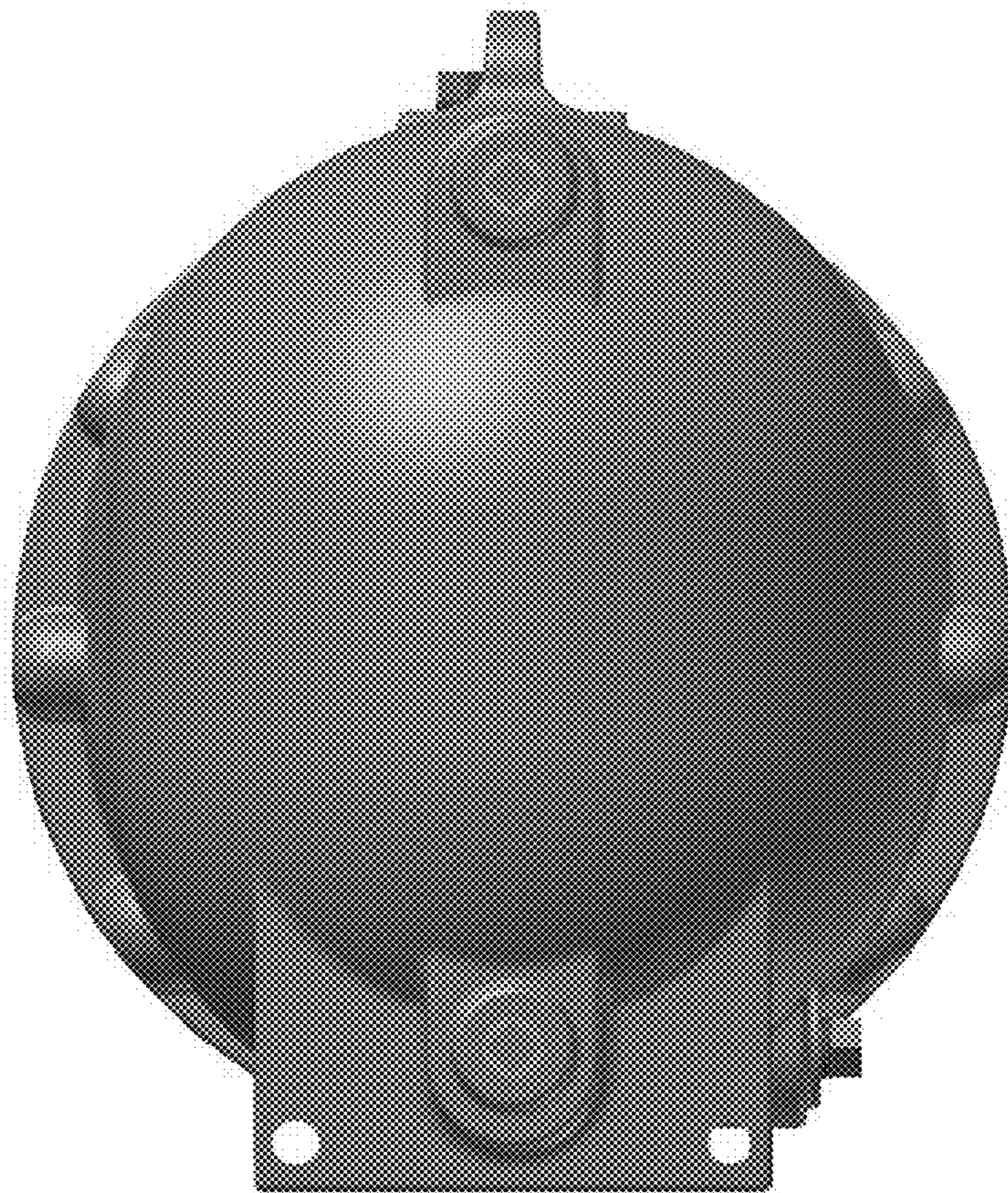


Fig. 4

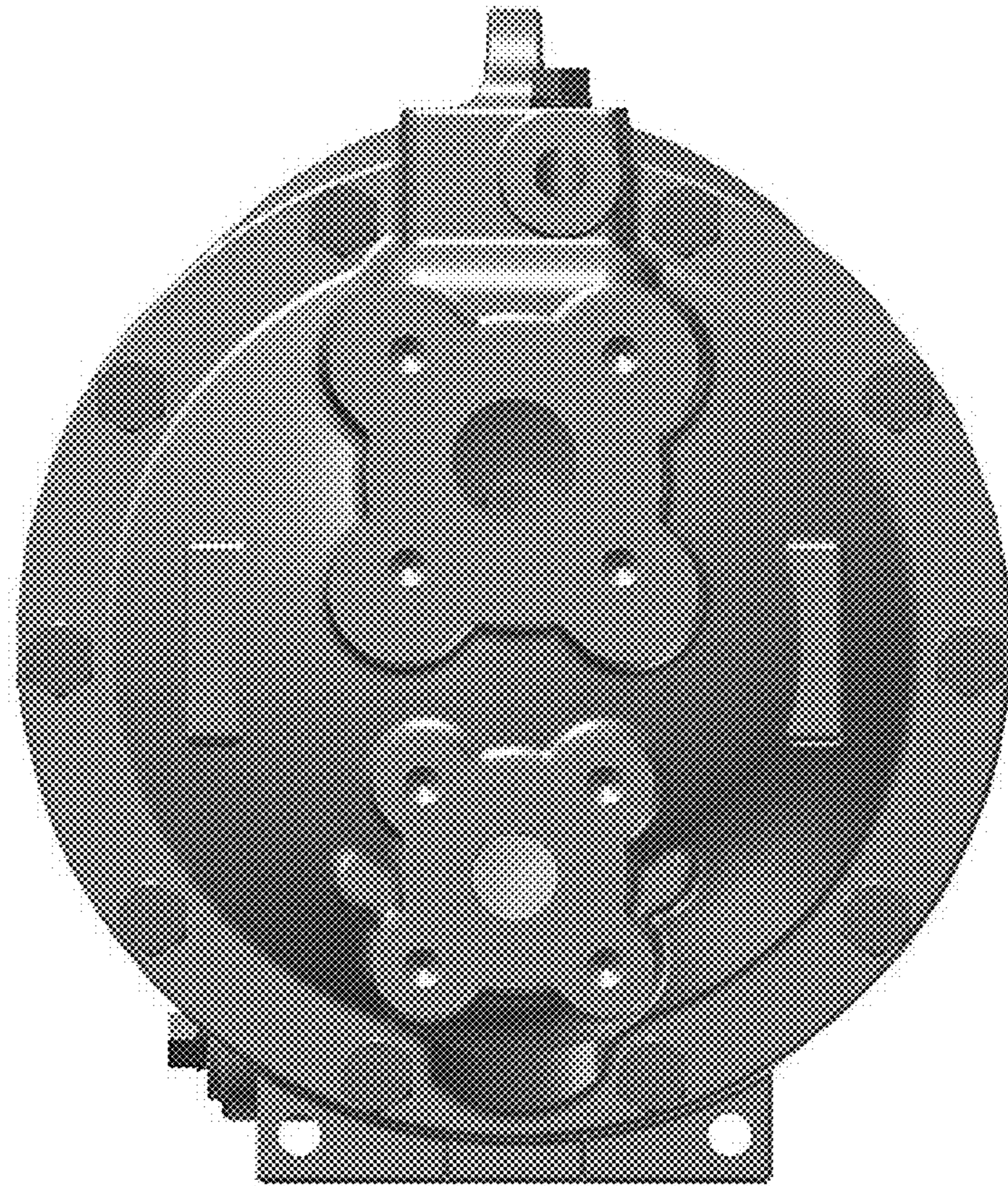
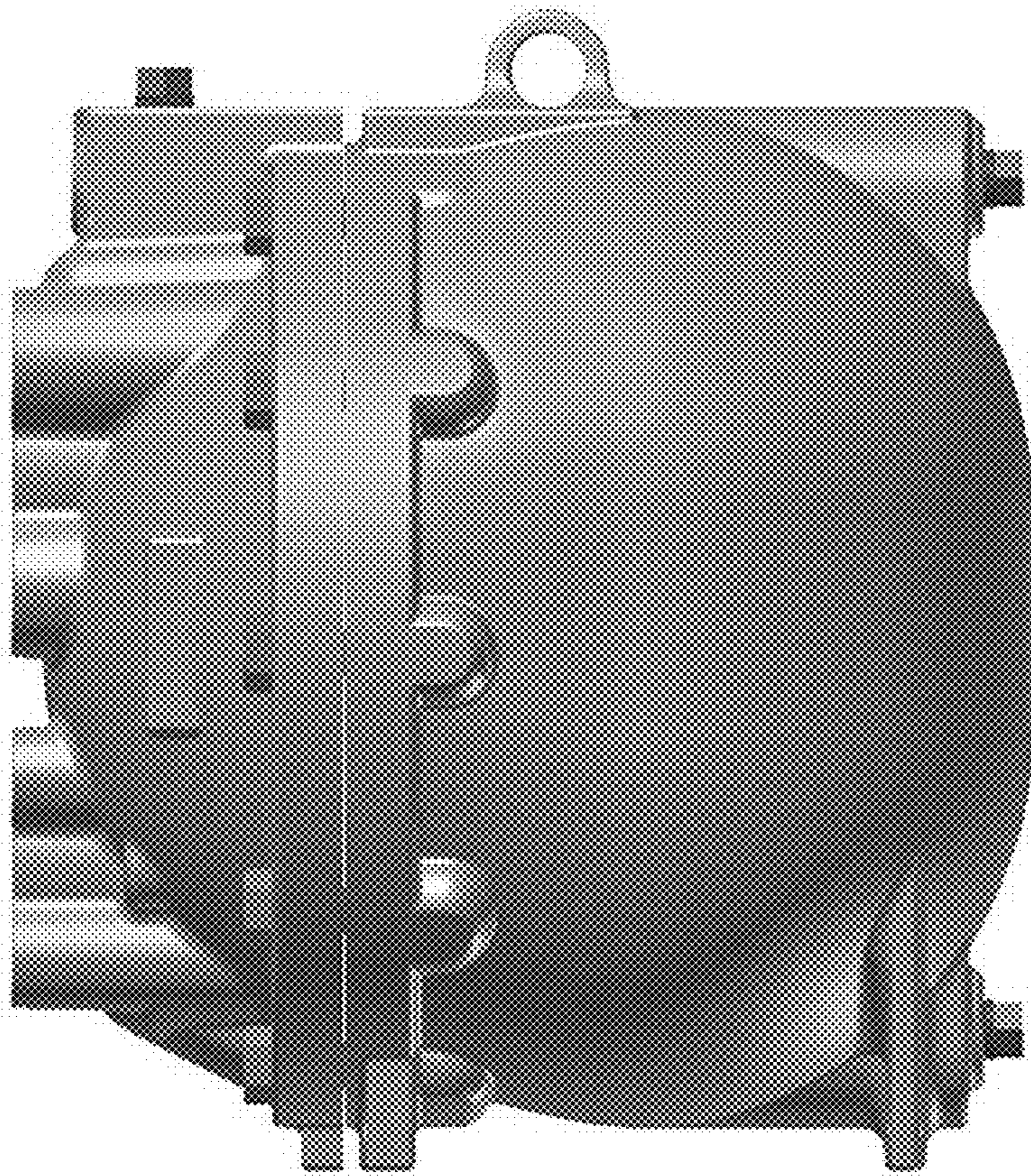


Fig. 5



F i g . 6

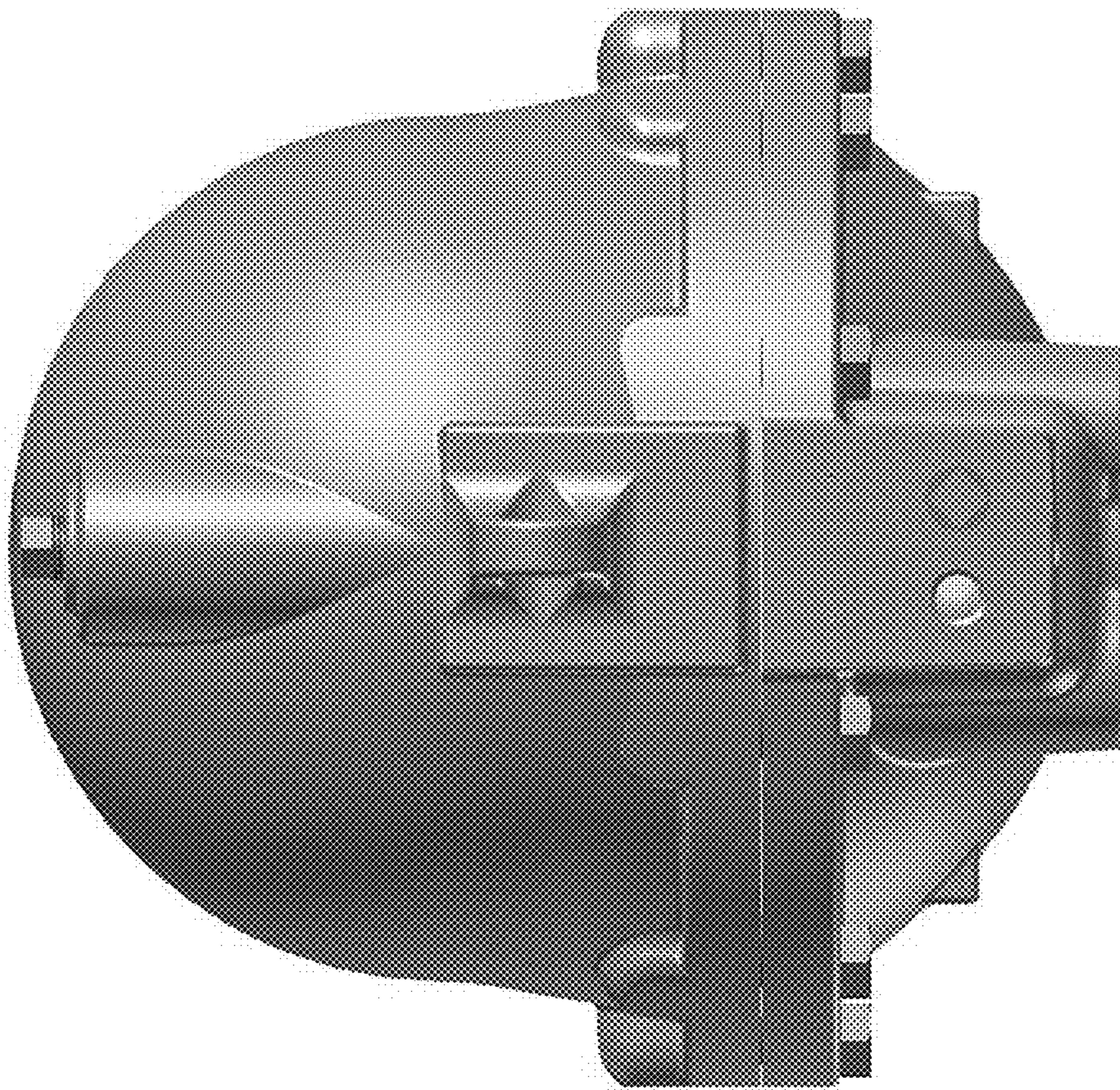


Fig. 7

