



US00D711506S

(12) **United States Design Patent**
Wolff et al.

(10) **Patent No.:** **US D711,506 S**
(45) **Date of Patent:** **** Aug. 19, 2014**

(54) **SHOWERHEAD WITH ARM**

FOREIGN PATENT DOCUMENTS

(71) Applicant: **Water Pik, Inc.**, Fort Collins, CO (US)

AU 687527 11/1996
CA 659510 3/1963

(72) Inventors: **Kevin Wolff**, Arvada, CO (US); **Doug Golenz**, Littleton, CO (US); **Philip Rowe**, Denver, CO (US); **Michael J. Quinn**, Windsor, CO (US)

(Continued)

(73) Assignee: **Water Pik, Inc.**, Fort Collins, CO (US)

OTHER PUBLICATIONS

(**) Term: **14 Years**

“Showermaster 2” advertisement, Showermaster, P.O. Box 5311, Coeur d’Alene, ID 83814, as early as Jan. 1997.

(21) Appl. No.: **29/455,418**

Primary Examiner — Robin V Webster

(22) Filed: **May 20, 2013**

(74) *Attorney, Agent, or Firm* — Dorsey & Whitney LLP

(51) **LOC (10) Cl.** **23-01**

(57) **CLAIM**

We claim the ornamental design for a shower head with arm, as shown and described.

(52) **U.S. Cl.**

DESCRIPTION

USPC **D23/213**

(58) **Field of Classification Search**

USPC D23/213, 223, 228, 303, 304; 4/567, 4/601, 605, 615, 612, 661; 239/444, 282, 239/283, 587.1, 587.5, 588

See application file for complete search history.

FIG. 1 is a front isometric view of a shower head with arm; FIG. 2 is a rear isometric view of the shower head with arm of FIG. 1; FIG. 3 is a front elevation view of the shower head with arm of FIG. 1; FIG. 4 is a rear elevation view of the shower head with arm of FIG. 1; FIG. 5 is a top plan view of the shower head with arm of FIG. 1; FIG. 6 is a bottom plan view of the shower head with arm of FIG. 1; FIG. 7 is a right side elevation view of the shower head with arm of FIG. 1; and, FIG. 8 is a left side elevation view of the shower head with arm of FIG. 1.

The broken lines shown in the drawings are only for purposes both of illustrating use and environment and to define the bounds of the claimed design and form no part of the claimed design.

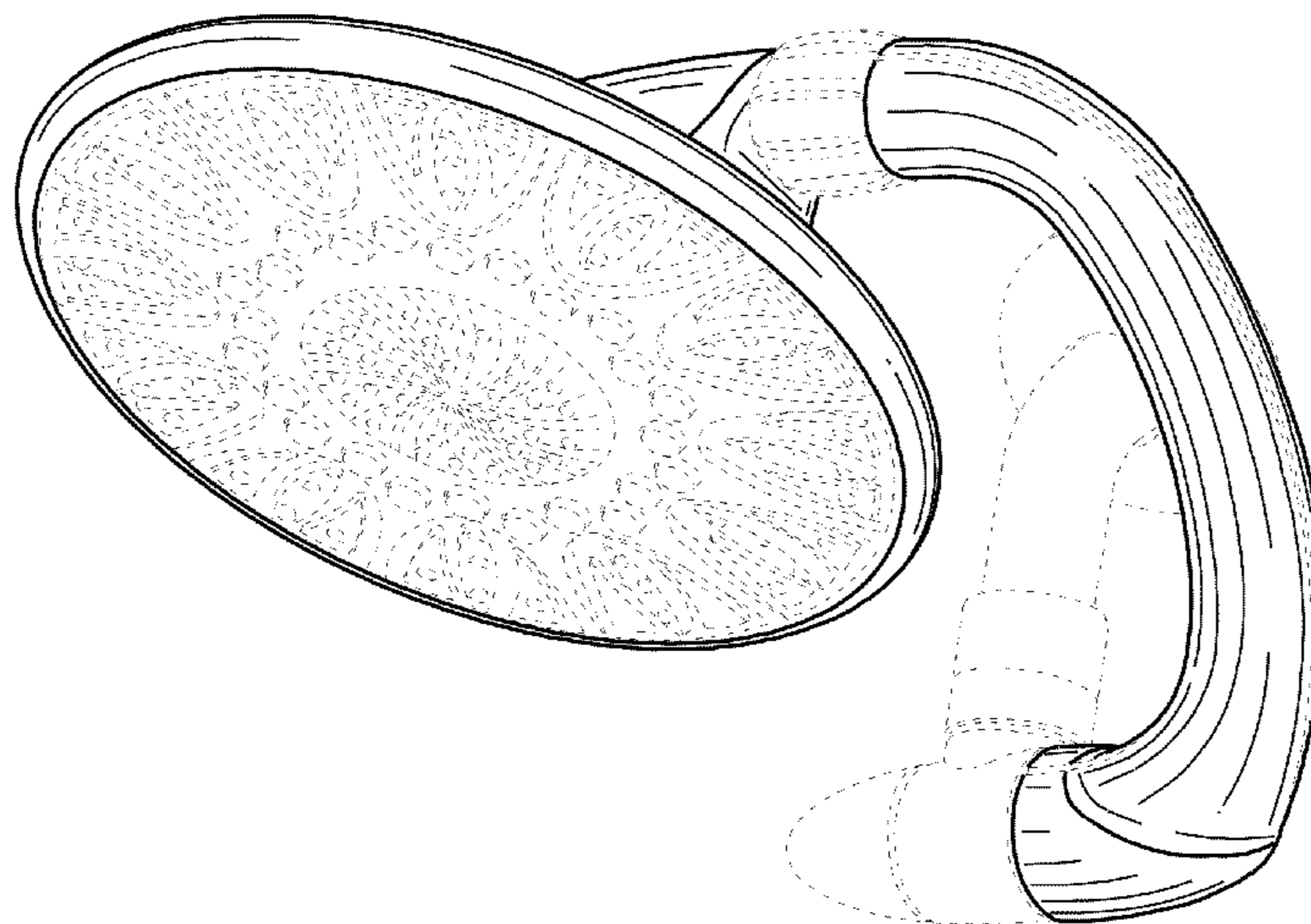
(56) **References Cited**

U.S. PATENT DOCUMENTS

203,094 A	4/1878	Wakeman
428,023 A	5/1890	Schoff
445,250 A	1/1891	Lawless
486,986 A	11/1892	Schinke
566,410 A	8/1896	Schinke
570,405 A	10/1896	Jerguson et al.
800,802 A	10/1905	Franquist
832,523 A	10/1906	Andersson
854,094 A	5/1907	Klein
926,929 A	7/1909	Dusseau
1,001,842 A	8/1911	Greenfield
1,003,037 A	9/1911	Crowe

(Continued)

1 Claim, 8 Drawing Sheets



(56)

References Cited

U.S. PATENT DOCUMENTS

1,018,143 A	2/1912	Vissering	3,663,044 A	5/1972	Contreras et al.
1,193,302 A	8/1916	Seltner	3,669,362 A	6/1972	Meyerhofer et al.
1,207,380 A	12/1916	Duffy	3,669,470 A	6/1972	Deurloo
1,217,254 A	2/1917	Winslow	3,685,745 A	8/1972	Peschcke-Koedt
1,218,895 A	3/1917	Porter	3,731,084 A	5/1973	Trevorrow
1,255,577 A	2/1918	Berry	3,754,779 A	8/1973	Peress
1,260,181 A	3/1918	Garnero	3,778,610 A	12/1973	Wolf
1,276,117 A	8/1918	Riebe	3,860,271 A	1/1975	Rodgers
1,284,099 A	11/1918	Harris	3,861,719 A	1/1975	Hand
1,327,428 A	1/1920	Gregory	3,869,151 A	3/1975	Fletcher et al.
1,451,800 A	4/1923	Agner	3,910,277 A	10/1975	Zimmer
1,469,528 A	10/1923	Owens	D237,708 S	11/1975	Grohe
1,500,921 A	7/1924	Bramson et al.	3,929,164 A	12/1975	Richter
1,560,789 A	11/1925	Johnson et al.	3,931,992 A	1/1976	Coel
1,597,477 A	8/1926	Panhorst	D240,178 S	6/1976	Johansen
1,692,394 A	11/1928	Sundh	D240,322 S	6/1976	Staub
1,695,263 A	12/1928	Jacques	3,971,074 A	7/1976	Yxfeldt
1,724,147 A	8/1929	Russell	3,979,096 A	9/1976	Zieger
1,736,160 A	11/1929	Jonsson	4,005,880 A	2/1977	Anderson et al.
1,754,127 A	4/1930	Srulowitz	4,006,920 A	2/1977	Sadler et al.
1,758,115 A	5/1930	Kelly	4,023,782 A	5/1977	Eifer
1,778,658 A	10/1930	Baker	4,043,337 A	8/1977	Baugher
1,821,274 A	9/1931	Plummer	4,045,054 A	8/1977	Arnold
1,906,575 A	5/1933	Goeriz	D249,356 S	9/1978	Nagy
2,011,446 A	8/1935	Judell	4,162,801 A	7/1979	Kresky et al.
2,024,930 A	8/1935	Judell	4,174,822 A	11/1979	Larsson
2,044,445 A	6/1936	Price et al.	4,243,253 A	1/1981	Rogers, Jr.
2,117,152 A	5/1938	Crosti	4,258,414 A	3/1981	Sokol
2,196,783 A	4/1940	Shook	D259,054 S *	4/1981	Petersons D23/230
2,197,667 A	4/1940	Shook	4,274,400 A	6/1981	Baus
2,268,263 A	5/1941	Newell et al.	4,282,612 A	8/1981	King
2,342,757 A	2/1944	Roser	D262,353 S	12/1981	Kitson
D147,258 S	8/1947	Becker	4,358,056 A	11/1982	Greenhut et al.
D152,584 S	2/1949	Becker	D268,442 S	3/1983	Darmon
2,467,954 A	4/1949	Becker	D268,609 S *	4/1983	Thompson D23/230
2,472,030 A	5/1949	Thulin	4,383,554 A	5/1983	Merriman
2,546,348 A	3/1951	Schuman	4,396,797 A	8/1983	Sakuragi et al.
2,581,129 A	1/1952	Muldoon	4,425,965 A	1/1984	Bayh, III et al.
D166,073 S	3/1952	Dunkelberger	4,465,308 A	8/1984	Martini
2,648,762 A	8/1953	Dunkelberger	4,479,610 A	10/1984	Etheridge et al.
2,664,271 A	12/1953	Arutunoff	4,495,550 A	1/1985	Visciano
2,676,806 A	4/1954	Bachman	4,540,202 A	9/1985	Amphoux et al.
2,679,575 A	5/1954	Haberstump	4,545,081 A	10/1985	Nestor et al.
2,680,358 A	6/1954	Zublin	4,545,535 A	10/1985	Knapp
2,721,089 A	10/1955	Shames	4,553,775 A	11/1985	Halling
2,759,765 A	8/1956	Pawley	D281,820 S	12/1985	Oba et al.
2,776,168 A	1/1957	Schweda	4,568,216 A	2/1986	Mizusawa et al.
2,825,135 A	3/1958	Tilden	4,571,003 A	2/1986	Roling et al.
2,873,999 A	2/1959	Webb	D283,645 S	4/1986	Tanaka
2,931,672 A	4/1960	Merritt et al.	4,643,463 A	2/1987	Halling et al.
2,966,311 A	12/1960	Davis	4,645,244 A	2/1987	Curtis
D190,295 S	5/1961	Becker	4,651,770 A	3/1987	Denham et al.
D192,935 S	5/1962	Becker	4,652,025 A	3/1987	Conroy, Sr.
3,032,357 A	5/1962	Shames et al.	4,669,757 A	6/1987	Bartholomew
3,034,809 A	5/1962	Greenberg	4,683,917 A	8/1987	Bartholomew
3,064,998 A	11/1962	Syverson	4,707,770 A	11/1987	Van Duyn
3,103,723 A	9/1963	Becker	4,717,180 A	1/1988	Roman
3,111,277 A	11/1963	Grimsley	4,722,029 A	1/1988	Ahle et al.
3,121,235 A	2/1964	Gellmann	4,733,337 A	3/1988	Bieberstein
3,143,857 A	8/1964	Eaton	4,739,801 A	4/1988	Kimura et al.
3,196,463 A	7/1965	Farneth	4,752,975 A	6/1988	Tiernan
3,231,200 A	1/1966	Heald	4,790,294 A	12/1988	Allred, III et al.
3,266,059 A	8/1966	Stelle	4,809,369 A	3/1989	Bowden
3,306,634 A	2/1967	Groves et al.	4,839,599 A	6/1989	Fischer
3,329,967 A	7/1967	Martinez et al.	4,842,059 A	6/1989	Tomek
3,389,925 A	6/1968	Gottschald	D302,325 S	7/1989	Charet et al.
3,393,311 A	7/1968	Dahl	4,850,616 A	7/1989	Pava
3,393,312 A	7/1968	Dahl	4,856,822 A	8/1989	Parker
3,402,893 A	9/1968	Hindman	4,863,328 A	9/1989	Malek
3,492,029 A	1/1970	French et al.	4,865,362 A	9/1989	Holden
3,546,961 A	12/1970	Marton	4,871,196 A	10/1989	Kingsford
3,565,116 A	2/1971	Gabin	D306,351 S	2/1990	Charet et al.
3,584,822 A	6/1971	Oram	4,901,765 A	2/1990	Poe
3,612,577 A	10/1971	Pope	4,901,927 A	2/1990	Valdivia
3,641,333 A	2/1972	Gendron	4,903,178 A	2/1990	Englot et al.
			4,907,137 A	3/1990	Schladitz et al.
			4,946,202 A	8/1990	Perricone
			4,951,329 A	8/1990	Shaw
			4,959,758 A	9/1990	Filosa et al.

(56)

References Cited

U.S. PATENT DOCUMENTS

4,964,573	A	10/1990	Lipski	D370,277	S	5/1996	Kaiser
4,972,048	A	11/1990	Martin	D370,278	S	5/1996	Nolan
4,975,123	A	12/1990	Gray	D370,279	S	5/1996	deBlois
D314,246	S	1/1991	Bache	D370,280	S	5/1996	Kaiser
5,004,158	A	4/1991	Halem et al.	D370,281	S	5/1996	Johnstone et al.
5,022,103	A	6/1991	Faist	5,517,392	A	5/1996	Rouso et al.
5,032,015	A	7/1991	Christianson	5,521,803	A	5/1996	Eckert et al.
5,033,528	A	7/1991	Volcani	D370,542	S	6/1996	Santarsiero
5,046,764	A	9/1991	Kimura et al.	D370,735	S	6/1996	DeBlois
D321,062	S	10/1991	Bonbright	D370,987	S	6/1996	Santarsiero
D322,681	S	12/1991	Yuen	D370,988	S	6/1996	Santarsiero
5,071,070	A	12/1991	Hardy	D371,448	S	7/1996	Santarsiero
5,086,878	A	2/1992	Swift	D371,618	S	7/1996	Nolan
D325,769	S	4/1992	Haug et al.	D371,619	S	7/1996	Szymanski
5,103,384	A	4/1992	Drohan	D371,856	S	7/1996	Carbone
5,107,406	A	4/1992	Sekido et al.	D372,318	S	7/1996	Szymanski
5,134,251	A	7/1992	Martin	D372,319	S	7/1996	Carbone
5,135,173	A	8/1992	Cho	5,531,625	A	7/1996	Zhong
D329,504	S	9/1992	Yuen	D372,548	S	8/1996	Carbone
5,143,123	A	9/1992	Richards et al.	D372,998	S	8/1996	Carbone
5,148,556	A	9/1992	Bottoms, Jr. et al.	D373,210	S	8/1996	Santarsiero
5,153,976	A	10/1992	Benchaar et al.	D373,434	S	9/1996	Nolan
5,154,483	A	10/1992	Zeller	D373,435	S	9/1996	Nolan
5,163,752	A	11/1992	Copeland et al.	D373,645	S	9/1996	Johnstone et al.
5,197,767	A	3/1993	Kimura et al.	D373,646	S	9/1996	Szymanski et al.
5,215,338	A	6/1993	Kimura et al.	D373,647	S	9/1996	Kaiser
5,218,956	A	6/1993	Handler et al.	D373,648	S	9/1996	Kaiser
5,220,697	A	6/1993	Birchfield	D373,649	S	9/1996	Carbone
D337,839	S	7/1993	Zeller	D373,651	S	9/1996	Szymanski
D338,542	S	8/1993	Yuen	D373,652	S	9/1996	Kaiser
5,254,809	A	10/1993	Martin	D374,297	S	10/1996	Kaiser
D341,191	S	11/1993	Klose	D374,298	S	10/1996	Swyst
D341,220	S	11/1993	Eagan	D374,299	S	10/1996	Carbone
5,263,646	A	11/1993	McCauley	D374,493	S	10/1996	Szymanski
5,265,833	A	11/1993	Heimann et al.	D374,494	S	10/1996	Santarsiero
5,268,826	A	12/1993	Greene	D374,494	S	10/1996	Santarsiero
5,276,596	A	1/1994	Krenzel	D374,732	S	10/1996	Kaiser
5,286,071	A	2/1994	Storage	D374,733	S	10/1996	Santarsiero
5,288,110	A	2/1994	Allread	5,567,115	A	10/1996	Carbone
D345,811	S	4/1994	Van Deursen et al.	D376,217	S	12/1996	Kaiser
5,333,787	A	8/1994	Smith et al.	D376,860	S	12/1996	Santarsiero
5,333,789	A	8/1994	Garneys	D376,861	S	12/1996	Johnstone et al.
5,340,165	A	8/1994	Sheppard	D376,862	S	12/1996	Carbone
5,349,987	A	9/1994	Shieh	5,624,074	A	4/1997	Parisi
5,356,076	A	10/1994	Bishop	D379,404	S	5/1997	Spelts
5,368,235	A	11/1994	Drozdoiff et al.	D381,405	S	7/1997	Waidele et al.
5,369,556	A	11/1994	Zeller	5,660,079	A	8/1997	Friedrich
5,370,427	A	12/1994	Hoelle et al.	5,667,146	A	9/1997	Pimentel et al.
5,385,500	A	1/1995	Schmidt	5,692,252	A	12/1997	Zwezdaryk
D356,626	S	3/1995	Wang	5,749,602	A	5/1998	Delaney et al.
5,398,977	A	3/1995	Berger et al.	5,778,939	A	7/1998	Hok-Yin
D361,399	S	8/1995	Carbone et al.	D398,370	S	9/1998	Purdy
5,449,206	A	9/1995	Lockwood	D401,680	S	11/1998	Tiernan
D363,360	S	10/1995	Santarsiero	5,865,378	A	2/1999	Hollinshead et al.
5,468,057	A	11/1995	Megerle et al.	D406,636	S	3/1999	Male et al.
D364,935	S	12/1995	deBlois	D412,563	S	8/1999	Milrud
D365,625	S	12/1995	Bova	D413,157	S	8/1999	Ratzlaff
D365,646	S	12/1995	deBlois	5,997,047	A	12/1999	Pimentel et al.
D366,707	S	1/1996	Kaiser	6,042,155	A	3/2000	Lockwood
D366,708	S	1/1996	Santarsiero	6,095,801	A	8/2000	Spiewak
D366,709	S	1/1996	Szymanski	6,164,569	A	12/2000	Hollinshead et al.
D366,710	S	1/1996	Szymanski	6,164,570	A	12/2000	Smeltzer
5,481,765	A	1/1996	Wang	6,199,729	B1	3/2001	Drzymkowski
D366,948	S	2/1996	Carbone	D440,641	S	4/2001	Hollinshead et al.
D367,333	S	2/1996	Swyst	6,227,456	B1	5/2001	Colman
D367,934	S	3/1996	Carbone	6,336,764	B1	1/2002	Liu
D368,146	S	3/1996	Carbone	D457,227	S	5/2002	Gottwald
D368,317	S	3/1996	Swyst	6,382,531	B1	5/2002	Tracy
D368,539	S	4/1996	Carbone et al.	6,425,149	B1	7/2002	Wang
D368,540	S	4/1996	Santarsiero	6,450,425	B1	9/2002	Chen
D368,541	S	4/1996	Kaiser et al.	D465,553	S	11/2002	Singtoroj
D368,542	S	4/1996	deBlois et al.	6,474,621	B1	11/2002	Vogel
D369,873	S	5/1996	deBlois et al.	6,511,001	B1	1/2003	Huang
D369,874	S	5/1996	Santarsiero	D470,219	S	2/2003	Schweitzer
D369,875	S	5/1996	Carbone	6,537,455	B2	3/2003	Farley
				6,626,210	B2	9/2003	Luetzgen et al.
				6,629,651	B1	10/2003	Male et al.
				6,643,862	B2	11/2003	Aitken
				6,659,117	B2	12/2003	Gilmore
				6,671,896	B2	1/2004	Tse

(56)

References Cited

FOREIGN PATENT DOCUMENTS

U.S. PATENT DOCUMENTS

6,701,953	B2	3/2004	Agosta	
D496,446	S	9/2004	Zwezdaryk	
6,799,335	B1	10/2004	Zadro	
D502,761	S	3/2005	Zieger et al.	
6,863,227	B2	3/2005	Wollenberg et al.	
6,926,212	B1	8/2005	Glass	
D517,669	S	3/2006	Zieger et al.	
D520,105	S *	5/2006	Kosasih	D23/213
7,066,411	B2	6/2006	Male et al.	
D529,151	S	9/2006	Macan et al.	
D531,259	S	10/2006	Hseih	
7,124,452	B1	10/2006	Bauza	
7,147,172	B2	12/2006	Darling, III et al.	
7,201,331	B2	4/2007	Bertrand	
D544,094	S	6/2007	Kustasz	
7,299,510	B2	11/2007	Tsai	
D557,770	S *	12/2007	Hoernig	D23/229
D559,953	S *	1/2008	Bickler et al.	D23/229
7,533,906	B2	5/2009	Luetzgen et al.	
D618,766	S	6/2010	Whitaker et al.	
7,814,585	B1	10/2010	Reich	
D627,866	S	11/2010	Hanna	
7,905,429	B2	3/2011	Somerfield et al.	
7,966,677	B2	6/2011	Miller et al.	
8,024,822	B2	9/2011	Macan et al.	
8,070,076	B2	12/2011	Erickson et al.	
D668,320	S *	10/2012	Weihreter	D23/223
2002/0033424	A1	3/2002	Rivera et al.	
2002/0070292	A1	6/2002	Hazenfield	
2004/0163169	A1	8/2004	Kollmann et al.	
2005/0283904	A1	12/2005	Macan et al.	
2006/0151632	A1	7/2006	Larsen	
2006/0208111	A1	9/2006	Tracy et al.	
2006/0231648	A1	10/2006	Male et al.	
2007/0251590	A1	11/2007	Weinstein	
2007/0272312	A1	11/2007	Chang	
2008/0083844	A1	4/2008	Leber et al.	
2008/0271240	A1	11/2008	Leber et al.	
2011/0139900	A1	6/2011	Somerfield et al.	

CA	2150317	11/1995
DE	352813	5/1922
DE	854100	10/1952
DE	2360534	6/1974
DE	2806093	8/1979
DE	3246327	12/1982
DE	4034695	5/1991
DE	4142198	4/1993
DE	19608085	3/1998
EP	0167063	6/1985
EP	0683354	11/1995
EP	0687851	12/1995
EP	0695907	2/1996
EP	0721082	7/1996
FR	538538	6/1922
FR	1098836	8/1955
FR	2596492	10/1987
FR	2695452	3/1994
GB	3314	0/1914
GB	10086	0/1893
GB	129812	7/1919
GB	204600	10/1923
GB	634483	3/1950
GB	971866	10/1964
GB	2156932	10/1985
GB	2298595	9/1996
IT	327400	7/1936
IT	350359	7/1937
JP	S63-181459	11/1988
JP	H2-78660	6/1990
NL	8902957	6/1991
WO	WO93/12894	7/1993
WO	WO93/25839	12/1993
WO	WO96/23999	8/1996
WO	WO98/30336	7/1998

OTHER PUBLICATIONS

U.S. Appl. No. 29/455,416, filed May 20, 2013, Water Pik, Inc.
 U.S. Appl. No. 29/455,417, filed May 20, 2013, Water Pik, Inc.

* cited by examiner

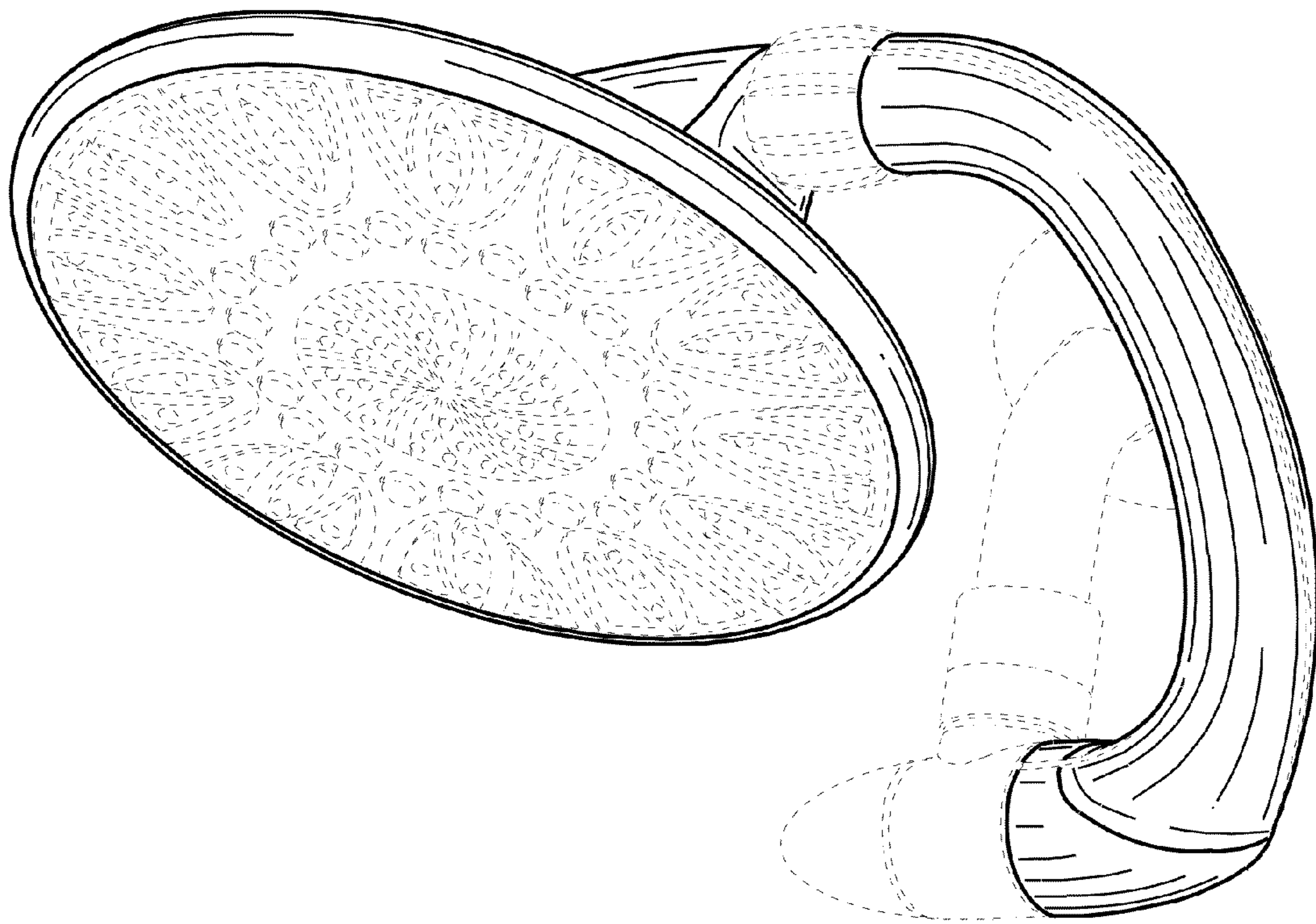


FIG. 1

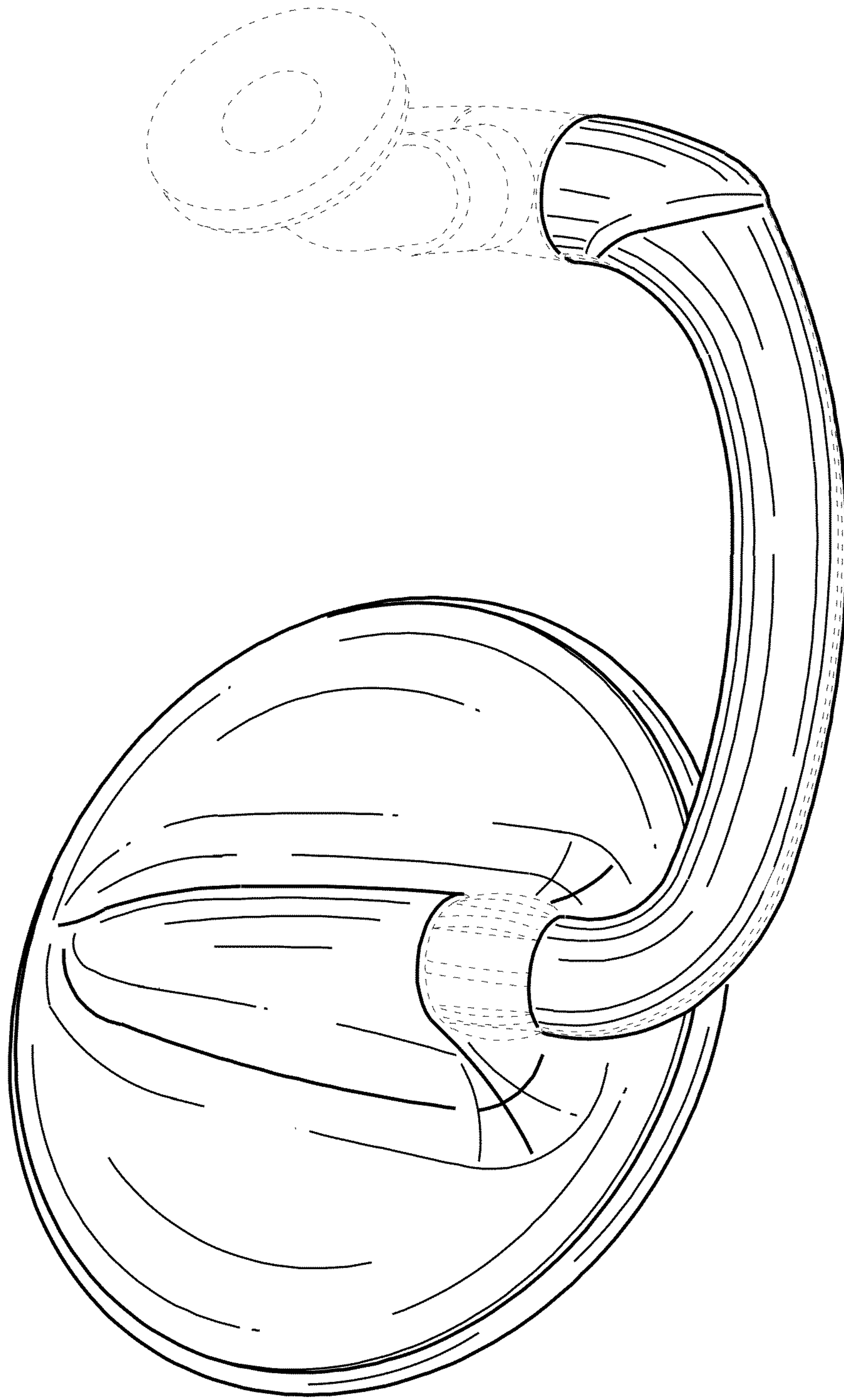


FIG. 2

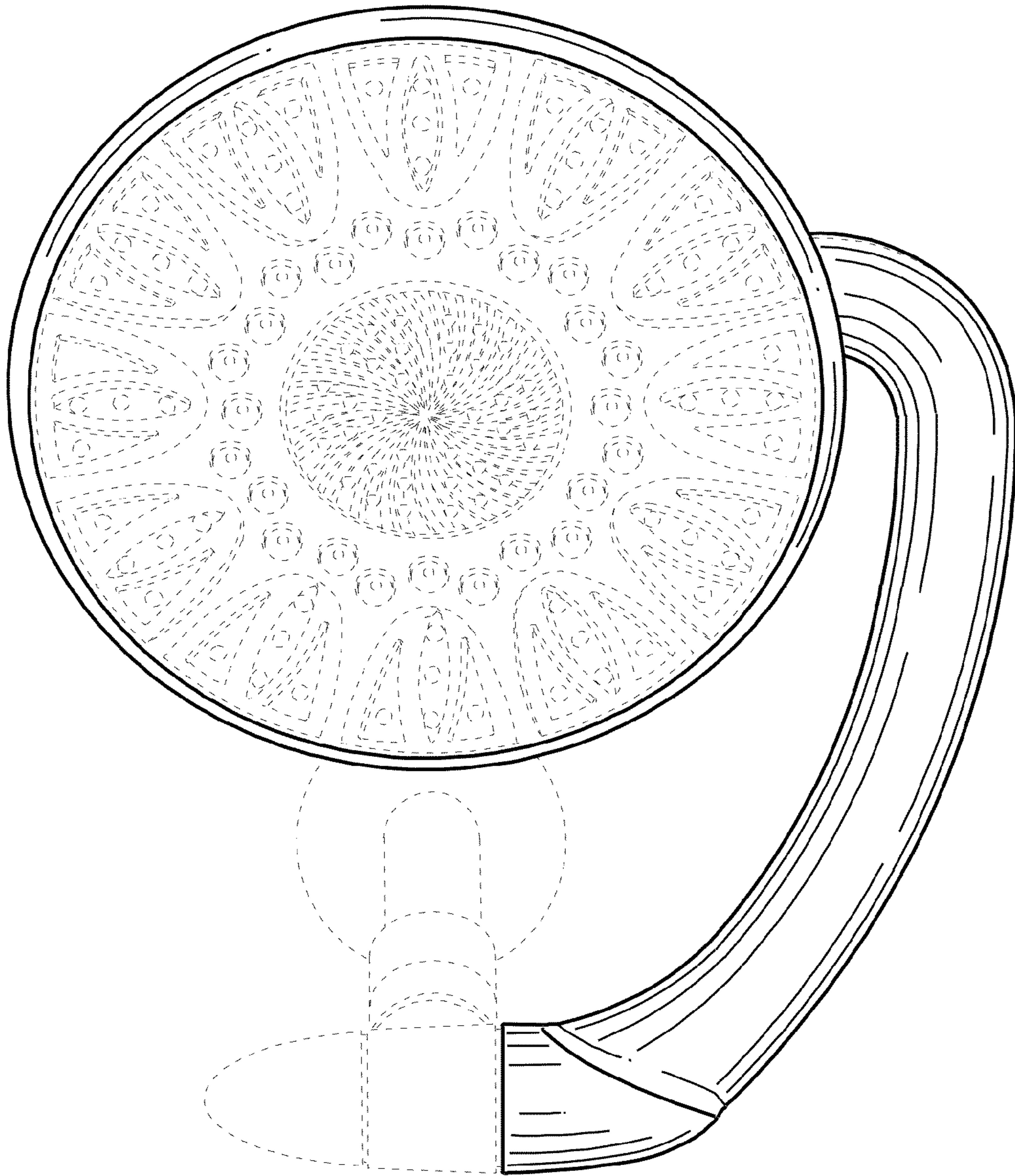


FIG. 3

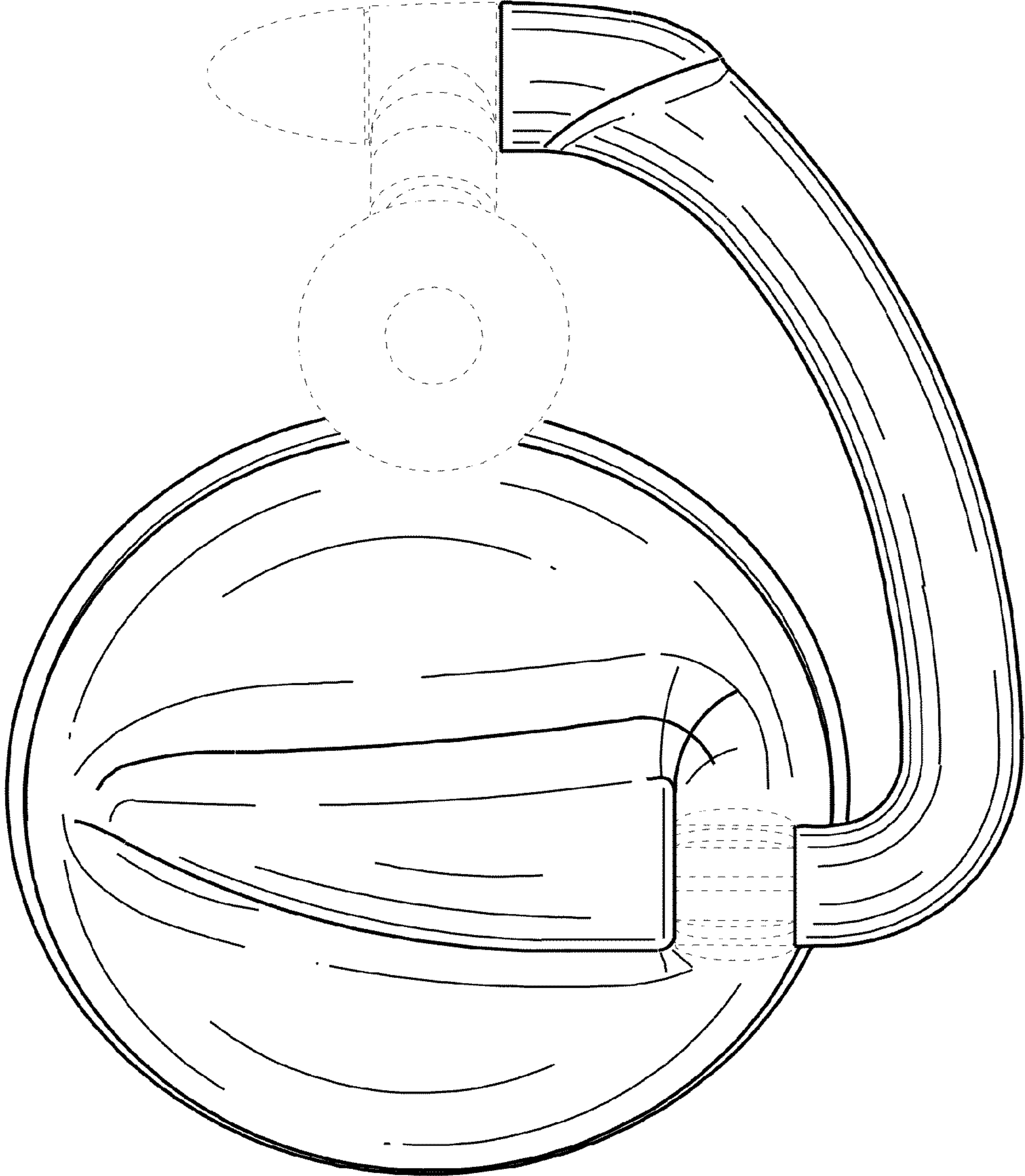


FIG. 4

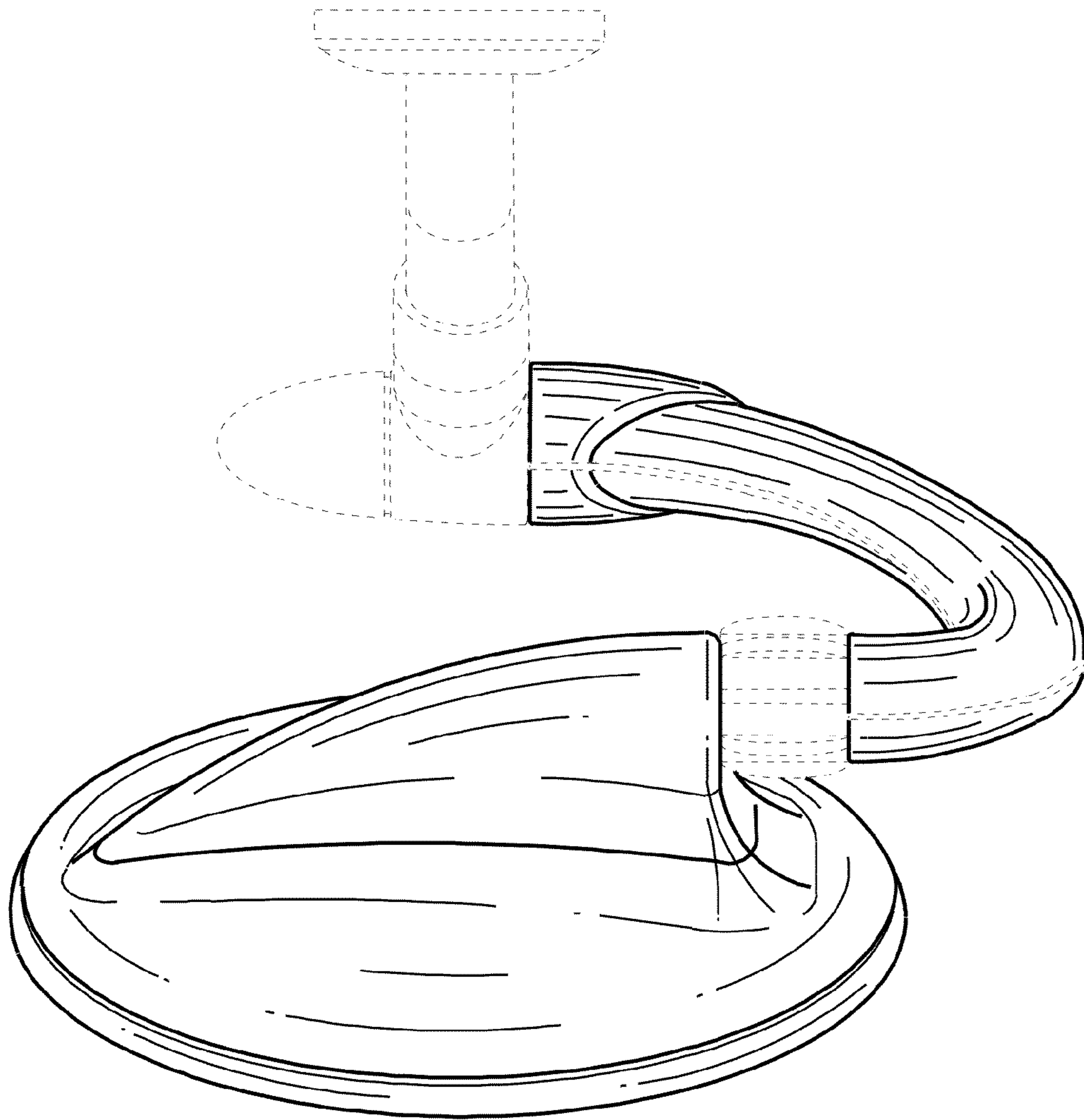


FIG. 5

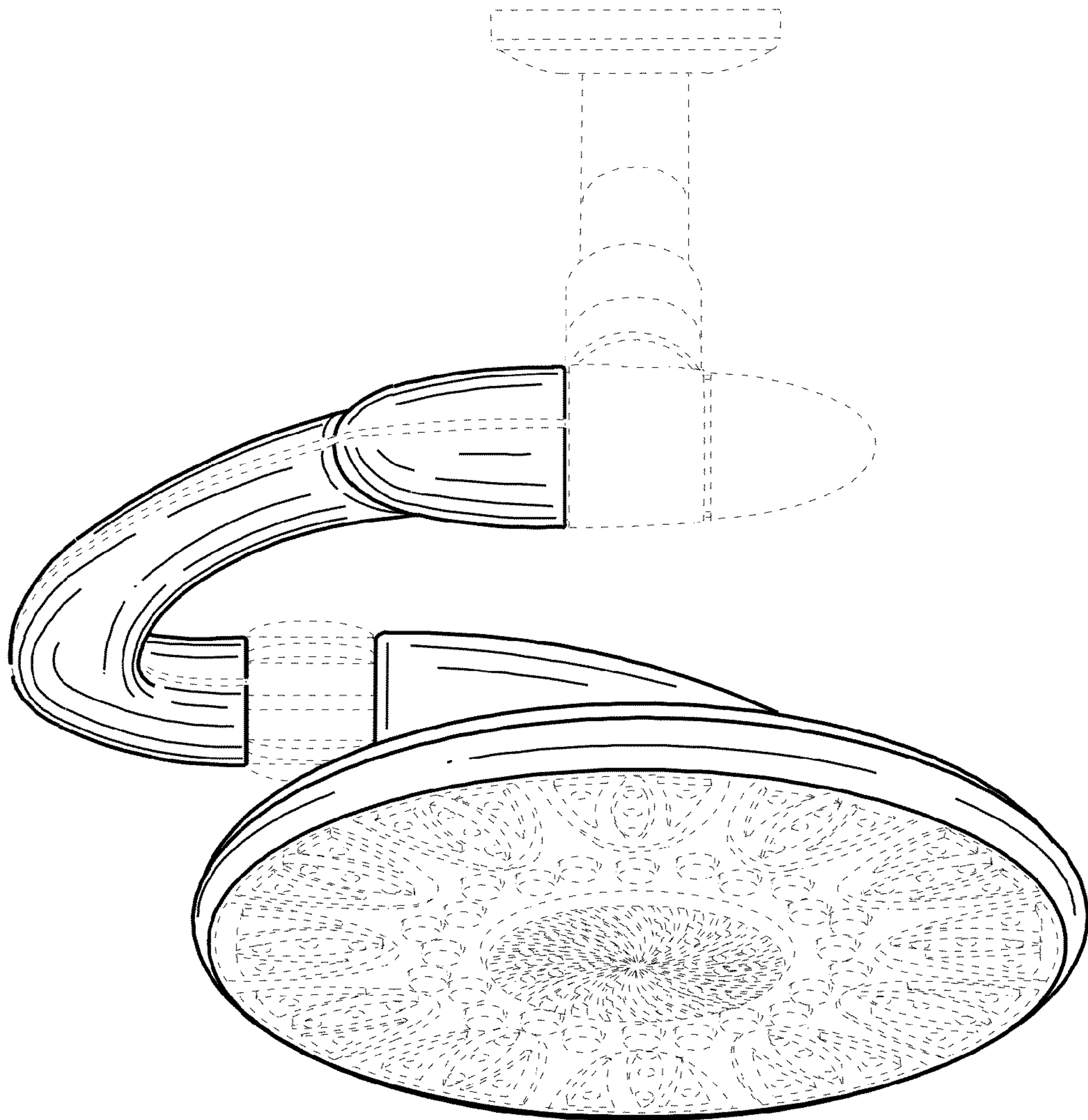


FIG. 6

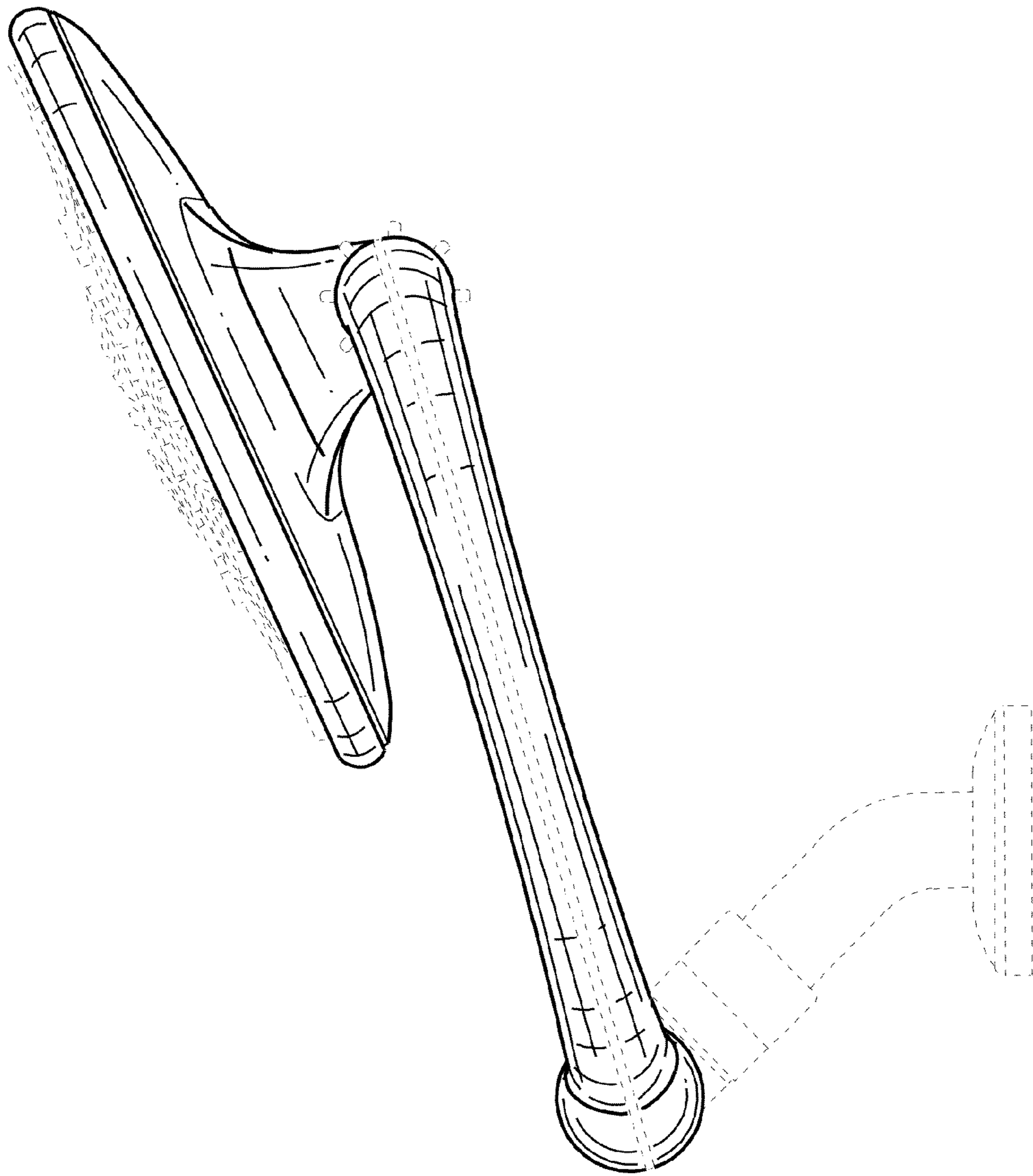


FIG. 7

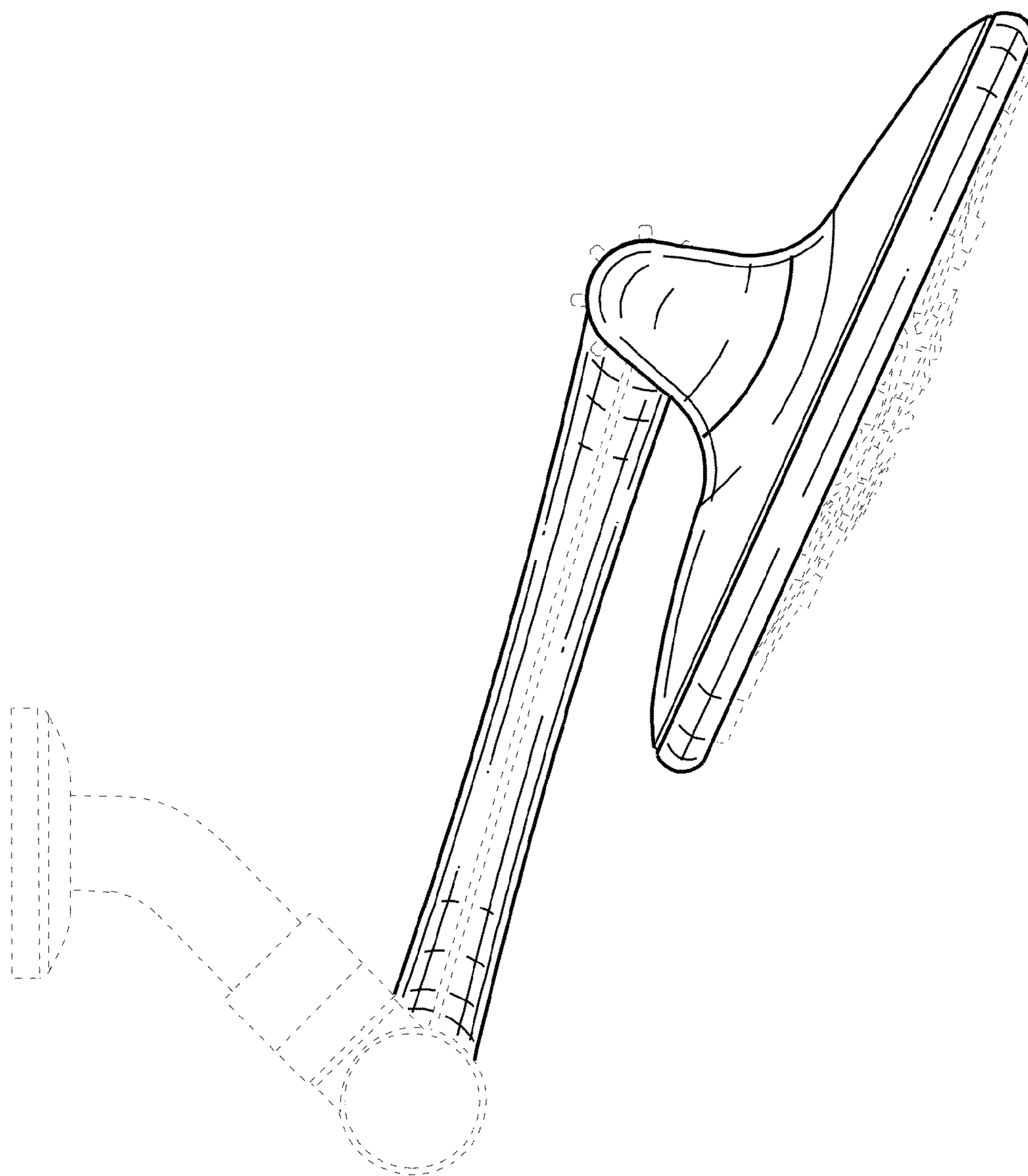


FIG. 8