



US00D711505S

(12) **United States Design Patent**
Wolff et al.

(10) **Patent No.:** **US D711,505 S**
(45) **Date of Patent:** **** Aug. 19, 2014**

(54) **SHOWER ARM**

FOREIGN PATENT DOCUMENTS

(71) Applicant: **Water Pik, Inc.**, Fort Collins, CO (US)

AU 687527 11/1996
CA 659510 3/1963

(72) Inventors: **Kevin Wolff**, Arvada, CO (US); **Doug Golenz**, Littleton, CO (US); **Philip Rowe**, Denver, CO (US); **Michael J. Quinn**, Windsor, CO (US)

(Continued)

OTHER PUBLICATIONS

(73) Assignee: **Water Pik, Inc.**, Fort Collins, CO (US)

“Showermaster 2” advertisement, Showermaster, P.O. Box 5311, Coeur d’Alene, ID 83814, as early as Jan. 1997.

(**) Term: **14 Years**

(Continued)

Primary Examiner — Robin V Webster

(21) Appl. No.: **29/455,417**

(74) *Attorney, Agent, or Firm* — Dorsey & Whitney LLP

(22) Filed: **May 20, 2013**

(51) **LOC (10) Cl.** **23-01**

(57) **CLAIM**

(52) **U.S. Cl.**

We claim the ornamental design for a shower arm, as shown and described.

USPC **D23/213**

(58) **Field of Classification Search**

USPC D23/213, 223, 228, 303, 304; 4/567, 4/601, 605, 615, 612, 661; 239/444, 282, 239/283, 587.1, 587.5, 588; D6/549

DESCRIPTION

See application file for complete search history.

FIG. 1 is a front isometric view of a shower arm;
FIG. 2 is a rear isometric view of the shower arm of FIG. 1;
FIG. 3 is a front elevation view of the shower arm of FIG. 1;
FIG. 4 is a rear elevation view of the shower arm of FIG. 1;
and
FIG. 5 is a top plan view of the shower arm of FIG. 1;
FIG. 6 is a bottom plan view of the shower arm of FIG. 1;
FIG. 7 is a right side elevation view of the shower arm of FIG. 1; and,
FIG. 8 is a left side elevation view of the shower arm of FIG. 1.

(56) **References Cited**

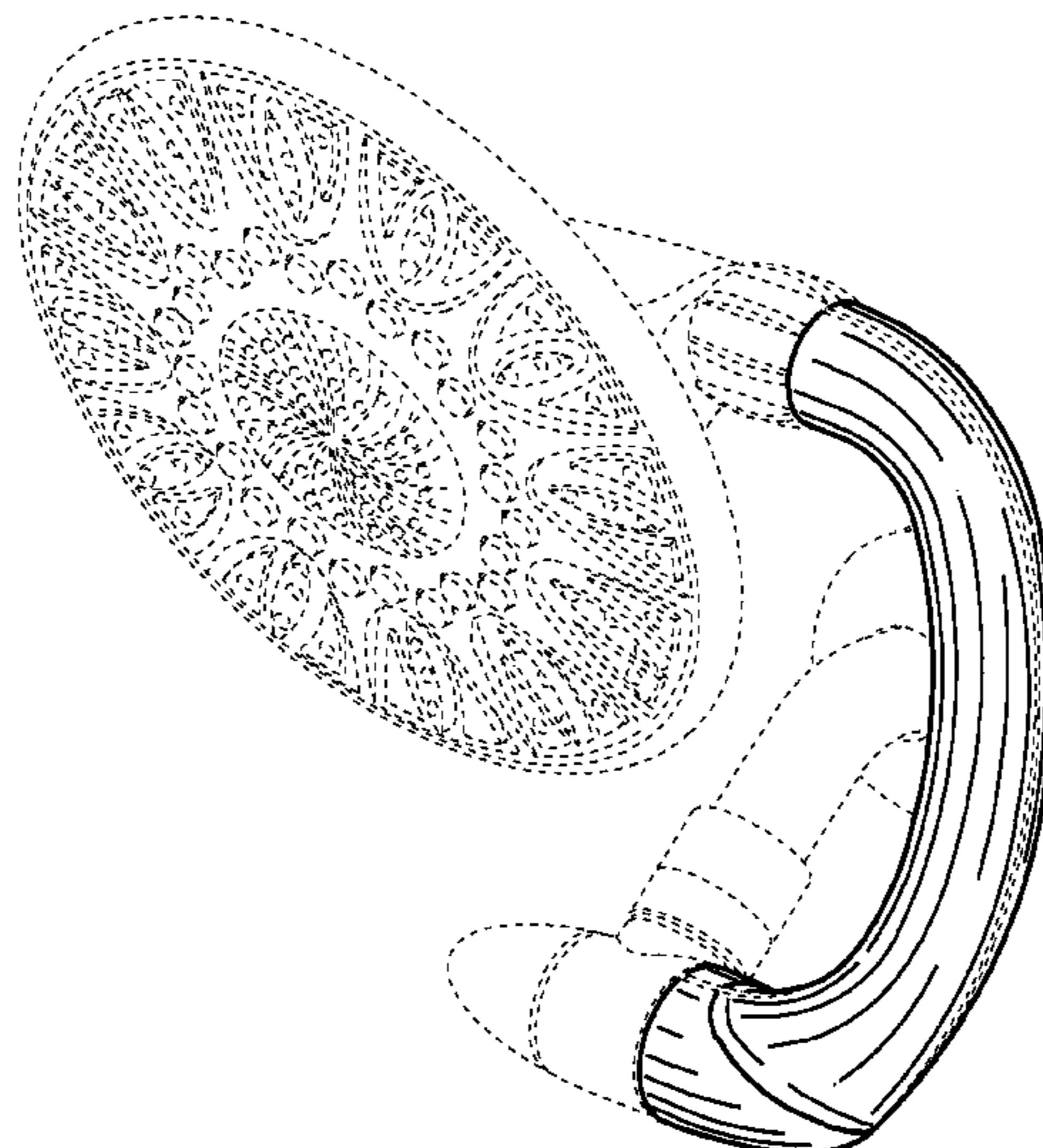
U.S. PATENT DOCUMENTS

203,094 A	4/1878	Wakeman
428,023 A	5/1890	Schoff
445,250 A	1/1891	Lawless
486,986 A	11/1892	Schinke
566,410 A	8/1896	Schinke
570,405 A	10/1896	Jerguson et al.
800,802 A	10/1905	Franquist
832,523 A	10/1906	Andersson
854,094 A	5/1907	Klein
926,929 A	7/1909	Dusseau
1,001,842 A	8/1911	Greenfield
1,003,037 A	9/1911	Crowe

The broken lines shown in the drawings are only for purposes both of illustrating use and environment and to define the bounds of the claimed design and form no part of the claimed design.

(Continued)

1 Claim, 8 Drawing Sheets



(56)

References Cited

U.S. PATENT DOCUMENTS

1,018,143 A	2/1912	Vissering	3,663,044 A	5/1972	Contreras et al.
1,193,302 A	8/1916	Seltner	3,669,362 A	6/1972	Meyerhofer et al.
1,207,380 A	12/1916	Duffy	3,669,470 A	6/1972	Deurloo
1,217,254 A	2/1917	Winslow	3,685,745 A	8/1972	Peschcke-Koedt
1,218,895 A	3/1917	Porter	3,731,084 A	5/1973	Trevorrow
1,255,577 A	2/1918	Berry	3,754,779 A	8/1973	Peress
1,260,181 A	3/1918	Garnero	3,778,610 A	12/1973	Wolf
1,276,117 A	8/1918	Riebe	3,860,271 A	1/1975	Rodgers
1,284,099 A	11/1918	Harris	3,861,719 A	1/1975	Hand
1,327,428 A	1/1920	Gregory	3,869,151 A	3/1975	Fletcher et al.
1,451,800 A	4/1923	Agner	3,910,277 A	10/1975	Zimmer
1,469,528 A	10/1923	Owens	D237,708 S	11/1975	Grohe
1,500,921 A	7/1924	Bramson et al.	3,929,164 A	12/1975	Richter
1,560,789 A	11/1925	Johnson et al.	3,931,992 A	1/1976	Coel
1,597,477 A	8/1926	Panhorst	D240,178 S	6/1976	Johansen
1,692,394 A	11/1928	Sundh	D240,322 S	6/1976	Staub
1,695,263 A	12/1928	Jacques	3,971,074 A	7/1976	Yxfeldt
1,724,147 A	8/1929	Russell	3,979,096 A	9/1976	Zieger
1,736,160 A	11/1929	Jonsson	4,005,880 A	2/1977	Anderson et al.
1,754,127 A	4/1930	Srulowitz	4,006,920 A	2/1977	Sadler et al.
1,758,115 A	5/1930	Kelly	4,023,782 A	5/1977	Eifer
1,778,658 A	10/1930	Baker	4,043,337 A	8/1977	Baugher
1,821,274 A	9/1931	Plummer	4,045,054 A	8/1977	Arnold
1,906,575 A	5/1933	Goeriz	D249,356 S	9/1978	Nagy
2,011,446 A	8/1935	Judell	4,162,801 A	7/1979	Kresky et al.
2,024,930 A	8/1935	Judell	4,174,822 A	11/1979	Larsson
2,044,445 A	6/1936	Price et al.	4,243,253 A	1/1981	Rogers, Jr.
2,117,152 A	5/1938	Crosti	4,258,414 A	3/1981	Sokol
2,196,783 A	4/1940	Shook	4,274,400 A	6/1981	Baus
2,197,667 A	4/1940	Shook	4,282,612 A	8/1981	King
2,268,263 A	5/1941	Newell et al.	D262,353 S	12/1981	Kitson
2,342,757 A	2/1944	Roser	4,358,056 A	11/1982	Greenhut et al.
D147,258 S	8/1947	Becker	D268,442 S	3/1983	Darmon
D152,584 S	2/1949	Becker	4,383,554 A	5/1983	Merriman
2,467,954 A	4/1949	Becker	4,396,797 A	8/1983	Sakuragi et al.
2,472,030 A	5/1949	Thulin	4,425,965 A	1/1984	Bayh, III et al.
2,546,348 A	3/1951	Schuman	4,465,308 A	8/1984	Martini
2,581,129 A	1/1952	Muldoon	4,479,610 A	10/1984	Etheridge et al.
D166,073 S	3/1952	Dunkelberger	4,495,550 A	1/1985	Visciano
2,648,762 A	8/1953	Dunkelberger	4,540,202 A	9/1985	Amphoux et al.
2,664,271 A	12/1953	Arutunoff	4,545,081 A	10/1985	Nestor et al.
2,676,806 A	4/1954	Bachman	4,545,535 A	10/1985	Knapp
2,679,575 A	5/1954	Haberstump	4,553,775 A	11/1985	Halling
2,680,358 A	6/1954	Zublin	D281,820 S	12/1985	Oba et al.
2,721,089 A	10/1955	Shames	4,568,216 A	2/1986	Mizusawa et al.
2,759,765 A	8/1956	Pawley	4,571,003 A	2/1986	Roling et al.
2,776,168 A	1/1957	Schweda	D283,645 S	4/1986	Tanaka
2,825,135 A	3/1958	Tilden	4,643,463 A	2/1987	Halling et al.
2,873,999 A	2/1959	Webb	4,645,244 A	2/1987	Curtis
2,931,672 A	4/1960	Merritt et al.	4,651,770 A	3/1987	Denham et al.
2,966,311 A	12/1960	Davis	4,652,025 A	3/1987	Conroy, Sr.
D190,295 S	5/1961	Becker	4,669,757 A	6/1987	Bartholomew
D192,935 S	5/1962	Becker	4,683,917 A	8/1987	Bartholomew
3,032,357 A	5/1962	Shames et al.	4,707,770 A	11/1987	Van Duyn
3,034,809 A	5/1962	Greenberg	4,717,180 A	1/1988	Roman
3,064,998 A	11/1962	Syverson	4,722,029 A	1/1988	Ahle et al.
3,103,723 A	9/1963	Becker	4,733,337 A	3/1988	Bieberstein
3,111,277 A	11/1963	Grimsley	4,739,801 A	4/1988	Kimura et al.
3,121,235 A	2/1964	Gellmann	4,752,975 A	6/1988	Yates
3,143,857 A	8/1964	Eaton	4,790,294 A	12/1988	Allred, III et al.
3,196,463 A	7/1965	Farneth	4,809,369 A	3/1989	Bowden
3,231,200 A	1/1966	Heald	4,839,599 A	6/1989	Fischer
3,266,059 A	8/1966	Stelle	4,842,059 A	6/1989	Tomek
3,306,634 A	2/1967	Groves et al.	D302,325 S	7/1989	Charet et al.
3,329,967 A	7/1967	Martinez et al.	4,850,616 A	7/1989	Pava
3,389,925 A	6/1968	Gottschald	4,856,822 A	8/1989	Parker
3,393,311 A	7/1968	Dahl	4,863,328 A	9/1989	Malek
3,393,312 A	7/1968	Dahl	4,865,362 A	9/1989	Holden
3,402,893 A	9/1968	Hindman	4,871,196 A	10/1989	Kingsford
3,492,029 A	1/1970	French et al.	D306,351 S	2/1990	Charet et al.
3,546,961 A	12/1970	Marton	4,901,765 A	2/1990	Poe
3,565,116 A	2/1971	Gabin	4,901,927 A	2/1990	Valdivia
3,584,822 A	6/1971	Oram	4,903,178 A	2/1990	Englot et al.
3,612,577 A	10/1971	Pope	4,907,137 A	3/1990	Schladitz et al.
3,641,333 A	2/1972	Gendron	4,946,202 A	8/1990	Perricone
			4,951,329 A	8/1990	Shaw
			4,959,758 A	9/1990	Filosa et al.
			4,964,573 A	10/1990	Lipski
			4,972,048 A	11/1990	Martin

(56)

References Cited

U.S. PATENT DOCUMENTS

4,975,123	A	12/1990	Gray	D370,279	S	5/1996	deBlois
D314,246	S	1/1991	Bache	D370,280	S	5/1996	Kaiser
5,004,158	A	4/1991	Halem et al.	D370,281	S	5/1996	Johnstone et al.
5,022,103	A	6/1991	Faist	5,517,392	A	5/1996	Rouso et al.
5,032,015	A	7/1991	Christianson	5,521,803	A	5/1996	Eckert et al.
5,033,528	A	7/1991	Volcani	D370,542	S	6/1996	Santarsiero
5,046,764	A	9/1991	Kimura et al.	D370,735	S	6/1996	DeBlois
D321,062	S	10/1991	Bonbright	D370,987	S	6/1996	Santarsiero
D322,681	S	12/1991	Yuen	D370,988	S	6/1996	Santarsiero
5,071,070	A	12/1991	Hardy	D371,448	S	7/1996	Santarsiero
5,086,878	A	2/1992	Swift	D371,618	S	7/1996	Nolan
D325,769	S	4/1992	Haug et al.	D371,619	S	7/1996	Szymanski
5,103,384	A	4/1992	Drohan	D371,856	S	7/1996	Carbone
5,107,406	A	4/1992	Sekido et al.	D372,318	S	7/1996	Szymanski
5,134,251	A	7/1992	Martin	D372,319	S	7/1996	Carbone
5,135,173	A	8/1992	Cho	5,531,625	A	7/1996	Zhong
D329,504	S	9/1992	Yuen	D372,548	S	8/1996	Carbone
5,143,123	A	9/1992	Richards et al.	D372,998	S	8/1996	Carbone
5,148,556	A	9/1992	Bottoms, Jr. et al.	D373,210	S	8/1996	Santarsiero
5,153,976	A	10/1992	Benchaar et al.	D373,434	S	9/1996	Nolan
5,154,483	A	10/1992	Zeller	D373,435	S	9/1996	Nolan
5,163,752	A	11/1992	Copeland et al.	D373,645	S	9/1996	Johnstone et al.
5,197,767	A	3/1993	Kimura et al.	D373,646	S	9/1996	Szymanski et al.
5,215,338	A	6/1993	Kimura et al.	D373,647	S	9/1996	Kaiser
5,218,956	A	6/1993	Handler et al.	D373,648	S	9/1996	Kaiser
5,220,697	A	6/1993	Birchfield	D373,649	S	9/1996	Carbone
D337,839	S	7/1993	Zeller	D373,651	S	9/1996	Szymanski
D338,542	S	8/1993	Yuen	D373,652	S	9/1996	Kaiser
5,254,809	A	10/1993	Martin	D374,297	S	10/1996	Kaiser
D341,191	S	11/1993	Klose	D374,298	S	10/1996	Swyst
D341,220	S	11/1993	Eagan	D374,299	S	10/1996	Carbone
5,263,646	A	11/1993	McCauley	D374,493	S	10/1996	Szymanski
5,265,833	A	11/1993	Heimann et al.	D374,494	S	10/1996	Santarsiero
5,268,826	A	12/1993	Greene	D374,732	S	10/1996	Kaiser
5,276,596	A	1/1994	Krenzel	D374,733	S	10/1996	Santarsiero
5,286,071	A	2/1994	Storage	5,567,115	A	10/1996	Carbone
5,288,110	A	2/1994	Allread	D376,217	S	12/1996	Kaiser
D345,811	S	4/1994	Van Deursen et al.	D376,860	S	12/1996	Santarsiero
5,333,787	A	8/1994	Smith et al.	D376,861	S	12/1996	Johnstone et al.
5,333,789	A	8/1994	Garneys	D376,862	S	12/1996	Carbone
5,340,165	A	8/1994	Sheppard	5,624,074	A	4/1997	Parisi
5,349,987	A	9/1994	Shieh	D379,404	S	5/1997	Spelts
5,356,076	A	10/1994	Bishop	D381,405	S	7/1997	Waidele et al.
5,368,235	A	11/1994	Drozdoiff et al.	5,660,079	A	8/1997	Friedrich
5,369,556	A	11/1994	Zeller	5,667,146	A	9/1997	Pimentel et al.
5,370,427	A	12/1994	Hoelle et al.	5,692,252	A	12/1997	Zwezdaryk
5,385,500	A	1/1995	Schmidt	5,749,602	A	5/1998	Delaney et al.
D356,626	S	3/1995	Wang	5,778,939	A	7/1998	Hok-Yin
5,398,977	A	3/1995	Berger et al.	D398,370	S	9/1998	Purdy
D361,399	S	8/1995	Carbone et al.	D401,680	S	11/1998	Tiernan
5,449,206	A	9/1995	Lockwood	5,865,378	A	2/1999	Hollinshead et al.
D363,360	S	10/1995	Santarsiero	D406,636	S	3/1999	Male et al.
5,468,057	A	11/1995	Megerle et al.	D412,563	S	8/1999	Milrud
D364,935	S	12/1995	deBlois	D413,157	S	8/1999	Ratzlaff
D365,625	S	12/1995	Bova	5,997,047	A	12/1999	Pimentel et al.
D365,646	S	12/1995	deBlois	6,042,155	A	3/2000	Lockwood
D366,707	S	1/1996	Kaiser	6,095,801	A	8/2000	Spiewak
D366,708	S	1/1996	Santarsiero	D431,072	S *	9/2000	Milrud et al. D23/255
D366,709	S	1/1996	Szymanski	6,164,569	A	12/2000	Hollinshead et al.
D366,710	S	1/1996	Szymanski	6,164,570	A	12/2000	Smeltzer
5,481,765	A	1/1996	Wang	6,199,729	B1	3/2001	Drzymkowski
D366,948	S	2/1996	Carbone	D440,641	S	4/2001	Hollinshead et al.
D367,333	S	2/1996	Swyst	6,227,456	B1	5/2001	Colman
D367,934	S	3/1996	Carbone	6,276,004	B1 *	8/2001	Bertrand et al. 4/615
D368,146	S	3/1996	Carbone	6,336,764	B1	1/2002	Liu
D368,317	S	3/1996	Swyst	D457,227	S	5/2002	Gottwald
D368,539	S	4/1996	Carbone et al.	6,382,531	B1	5/2002	Tracy
D368,540	S	4/1996	Santarsiero	6,425,149	B1	7/2002	Wang
D368,541	S	4/1996	Kaiser et al.	6,450,425	B1	9/2002	Chen
D368,542	S	4/1996	deBlois et al.	6,464,265	B1 *	10/2002	Mikol 285/333
D369,873	S	5/1996	deBlois et al.	D465,553	S	11/2002	Singtoroj
D369,874	S	5/1996	Santarsiero	6,474,621	B1	11/2002	Vogel
D369,875	S	5/1996	Carbone	6,511,001	B1	1/2003	Huang
D370,277	S	5/1996	Kaiser	D470,219	S	2/2003	Schweitzer
D370,278	S	5/1996	Nolan	6,537,455	B2	3/2003	Farley
				6,626,210	B2	9/2003	Luetngen et al.
				6,629,651	B1	10/2003	Male et al.
				6,643,862	B2	11/2003	Aitken
				6,659,117	B2	12/2003	Gilmore

(56)

References Cited

FOREIGN PATENT DOCUMENTS

U.S. PATENT DOCUMENTS

6,671,896 B2 1/2004 Tse
 6,701,953 B2 3/2004 Agosta
 D496,446 S 9/2004 Zvezdaryk
 6,799,335 B1 10/2004 Zadro
 D502,761 S 3/2005 Zieger et al.
 6,863,227 B2 3/2005 Wollenberg et al.
 6,926,212 B1 8/2005 Glass
 D517,669 S 3/2006 Zieger et al.
 7,066,411 B2 6/2006 Male et al.
 7,097,122 B1 * 8/2006 Farley 239/553
 D529,151 S 9/2006 Macan et al.
 D531,259 S 10/2006 Hsieh
 7,124,452 B1 10/2006 Bauza
 7,147,172 B2 12/2006 Darling, III et al.
 7,201,331 B2 4/2007 Bertrand
 D544,094 S 6/2007 Kustasz
 7,299,510 B2 11/2007 Tsai
 7,533,906 B2 5/2009 Luettgen et al.
 D618,766 S * 6/2010 Whitaker et al. D23/255
 7,814,585 B1 10/2010 Reich
 D627,866 S * 11/2010 Hanna D23/303
 7,905,429 B2 3/2011 Somerfield et al.
 7,966,677 B2 6/2011 Miller et al.
 8,024,822 B2 9/2011 Macan et al.
 D647,603 S * 10/2011 Andrew D23/255
 8,070,076 B2 12/2011 Erickson et al.
 2002/0033424 A1 3/2002 Rivera et al.
 2002/0070292 A1 6/2002 Hazenfield
 2004/0163169 A1 8/2004 Kollmann et al.
 2005/0283904 A1 12/2005 Macan et al.
 2006/0151632 A1 7/2006 Larsen
 2006/0208111 A1 9/2006 Tracy et al.
 2006/0231648 A1 10/2006 Male et al.
 2007/0251590 A1 11/2007 Weinstein
 2007/0272312 A1 11/2007 Chang
 2008/0083844 A1 4/2008 Leber et al.
 2008/0271240 A1 11/2008 Leber et al.
 2011/0139900 A1 6/2011 Somerfield et al.

CA 2150317 11/1995
 DE 352813 5/1922
 DE 854100 10/1952
 DE 2360534 6/1974
 DE 2806093 8/1979
 DE 3246327 12/1982
 DE 4034695 5/1991
 DE 4142198 4/1993
 DE 19608085 3/1998
 EP 0167063 6/1985
 EP 0683354 11/1995
 EP 0687851 12/1995
 EP 0695907 2/1996
 EP 0721082 7/1996
 FR 538538 6/1922
 FR 1098836 8/1955
 FR 2596492 10/1987
 FR 2695452 3/1994
 GB 3314 0/1914
 GB 10086 0/1893
 GB 129812 7/1919
 GB 204600 10/1923
 GB 634483 3/1950
 GB 971866 10/1964
 GB 2156932 10/1985
 GB 2298595 9/1996
 IT 327400 7/1936
 IT 350359 7/1937
 JP S63-181459 11/1988
 JP H2-78660 6/1990
 NL 8902957 6/1991
 WO WO93/12894 7/1993
 WO WO93/25839 12/1993
 WO WO96/23999 8/1996
 WO WO98/30336 7/1998

OTHER PUBLICATIONS

U.S. Appl. No. 29/455,416, filed May 20, 2013, Water Pik, Inc.
 U.S. Appl. No. 29/455,418, filed May 20, 2013, Water Pik, Inc.

* cited by examiner

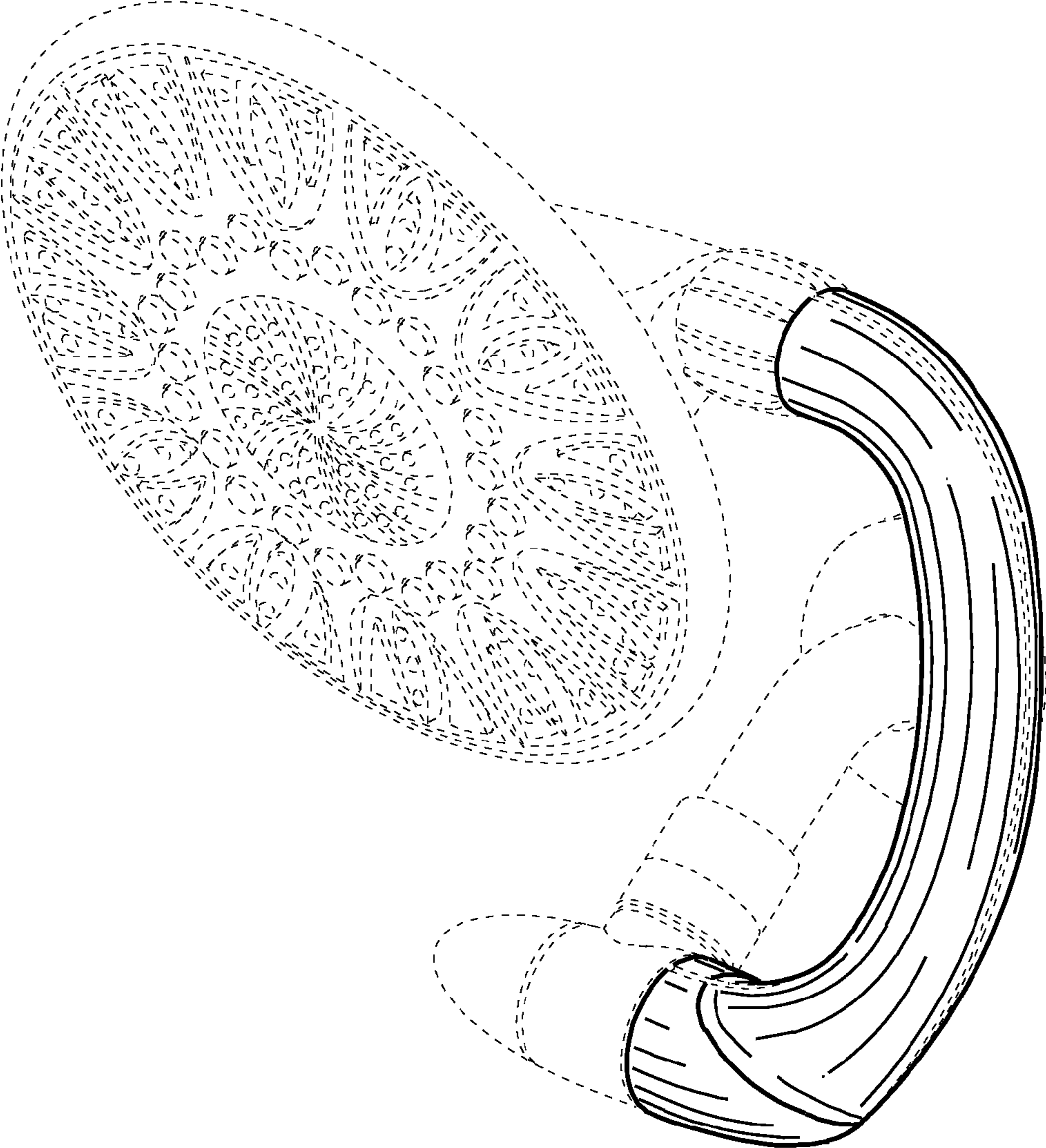


FIG. 1

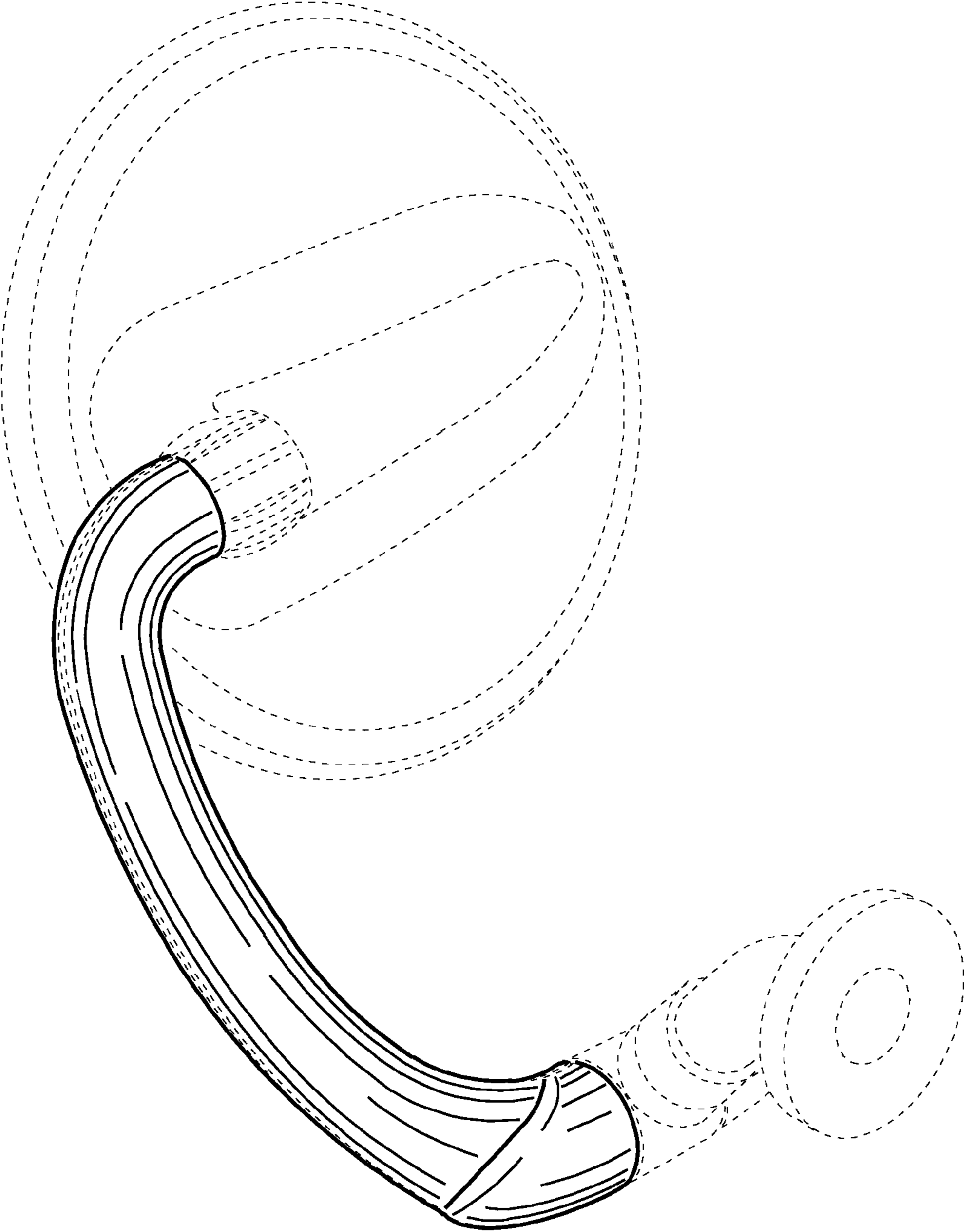


FIG. 2

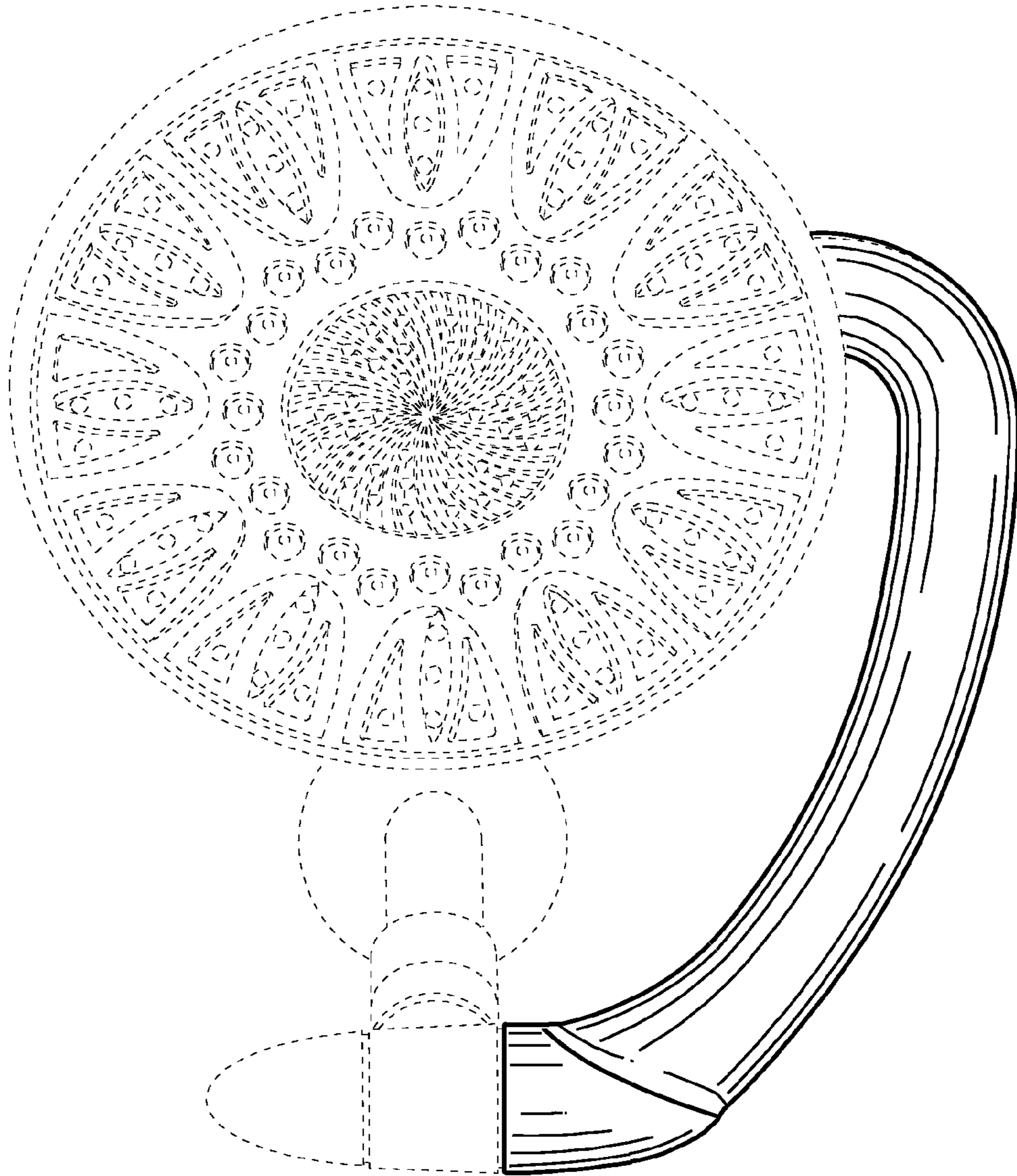


FIG. 3

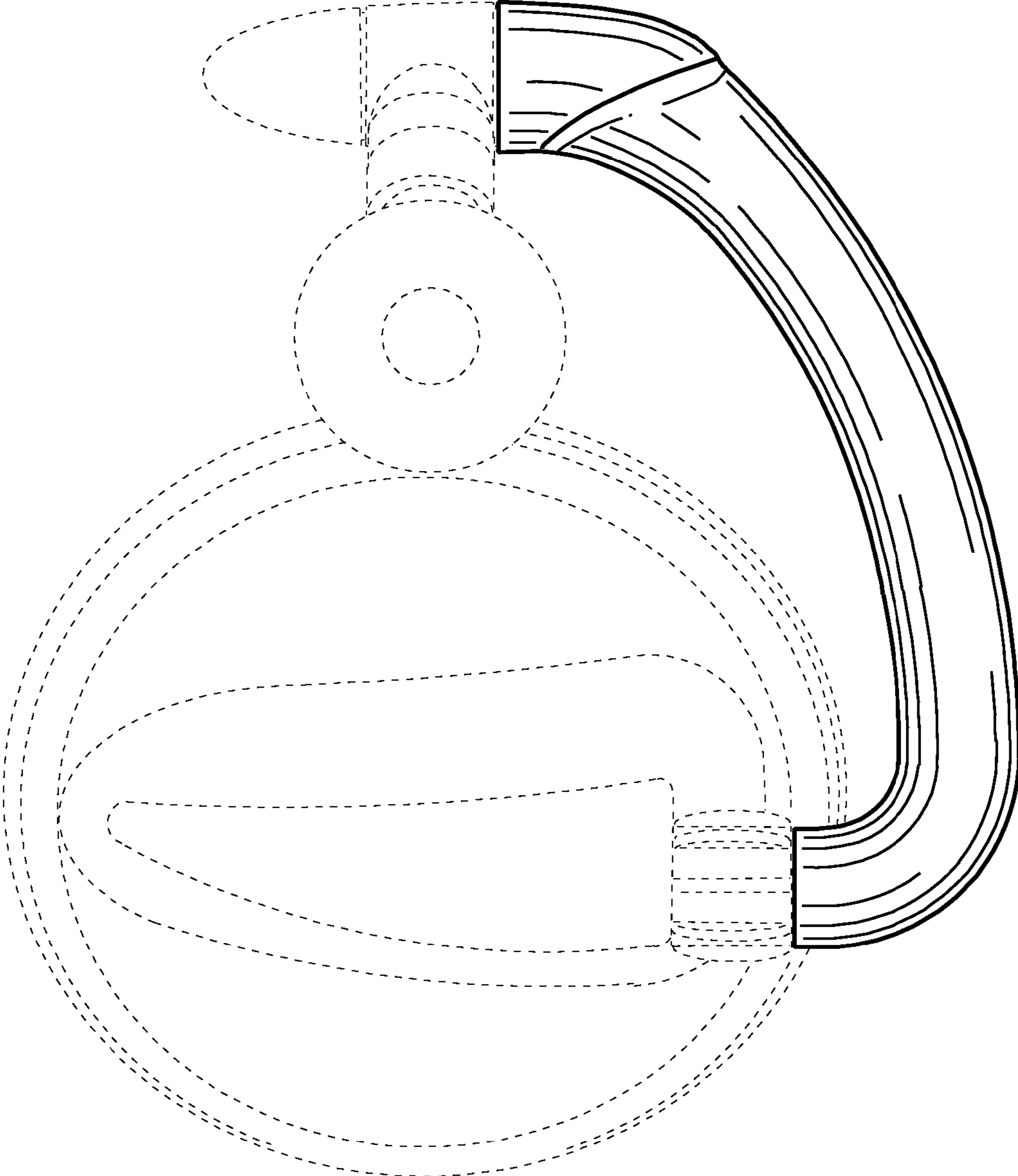


FIG. 4

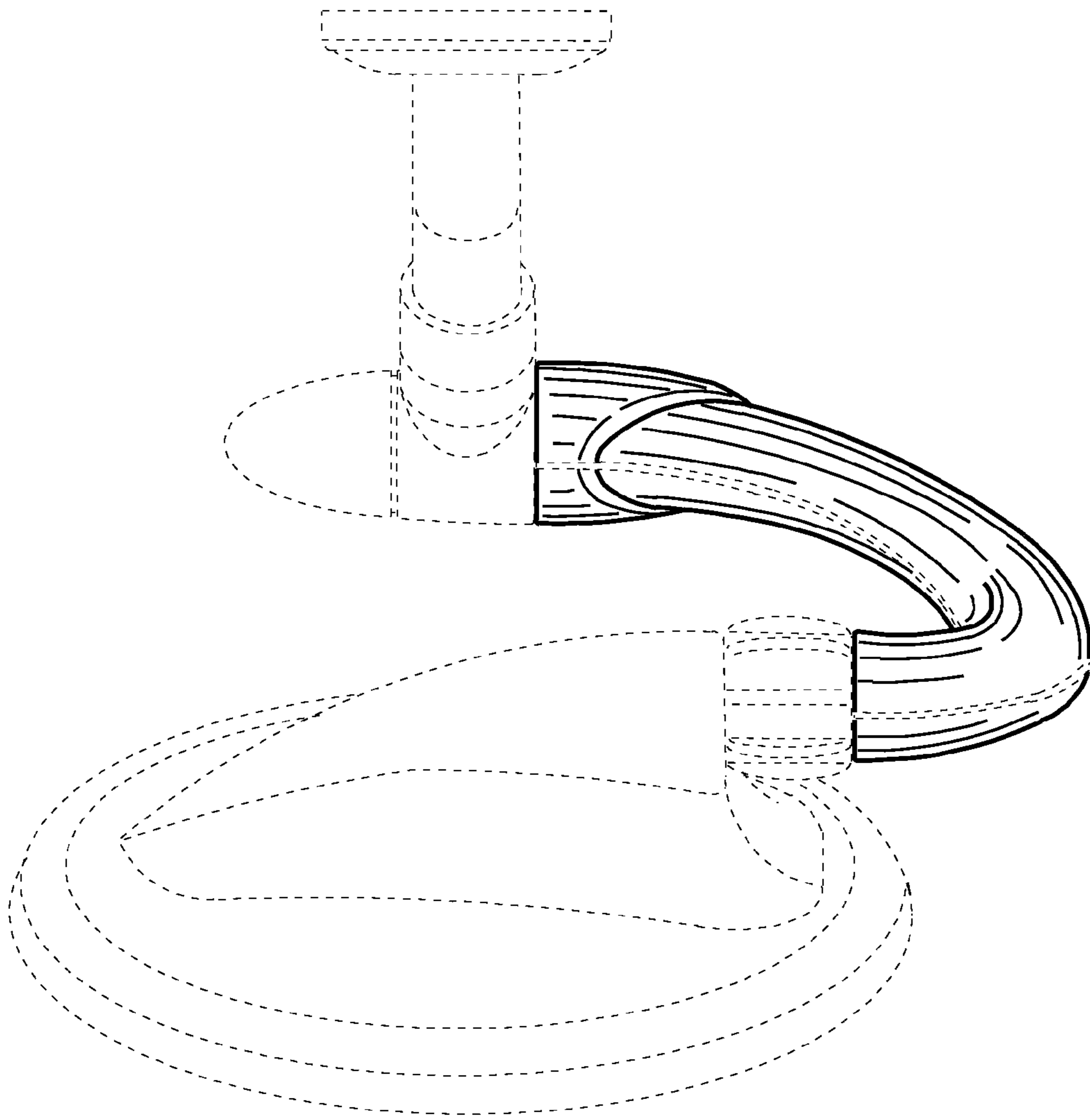


FIG. 5

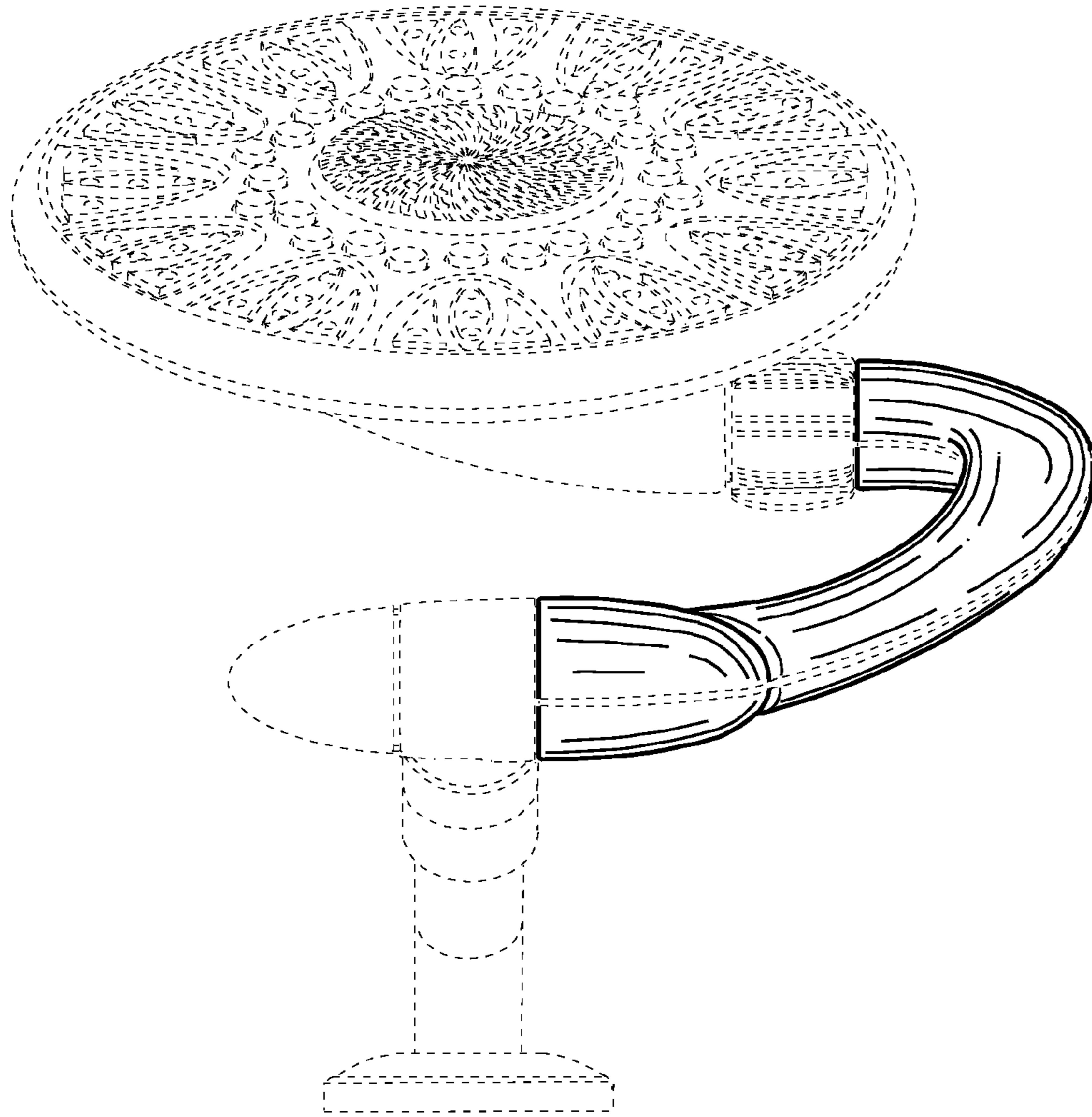


FIG. 6

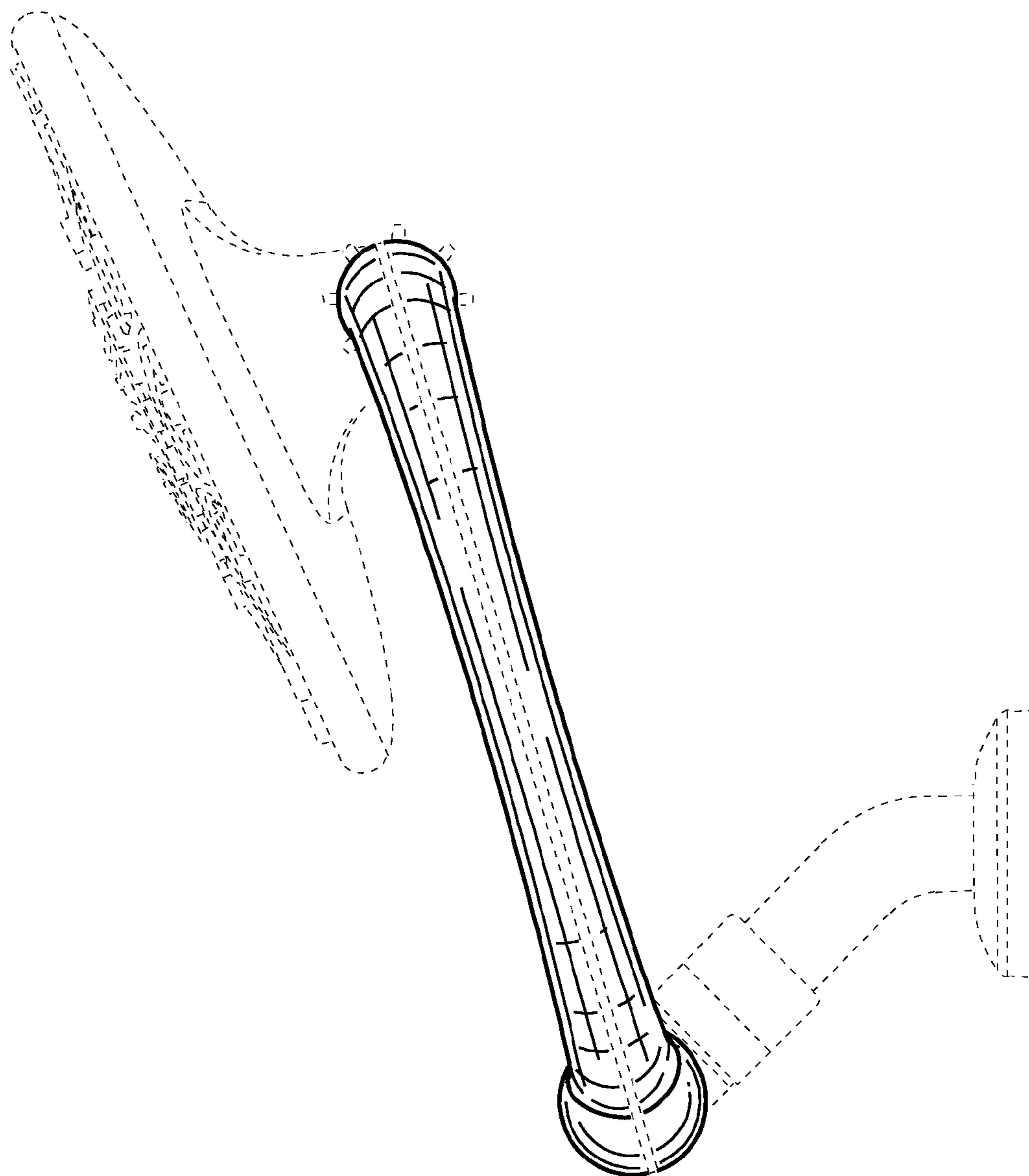


FIG. 7

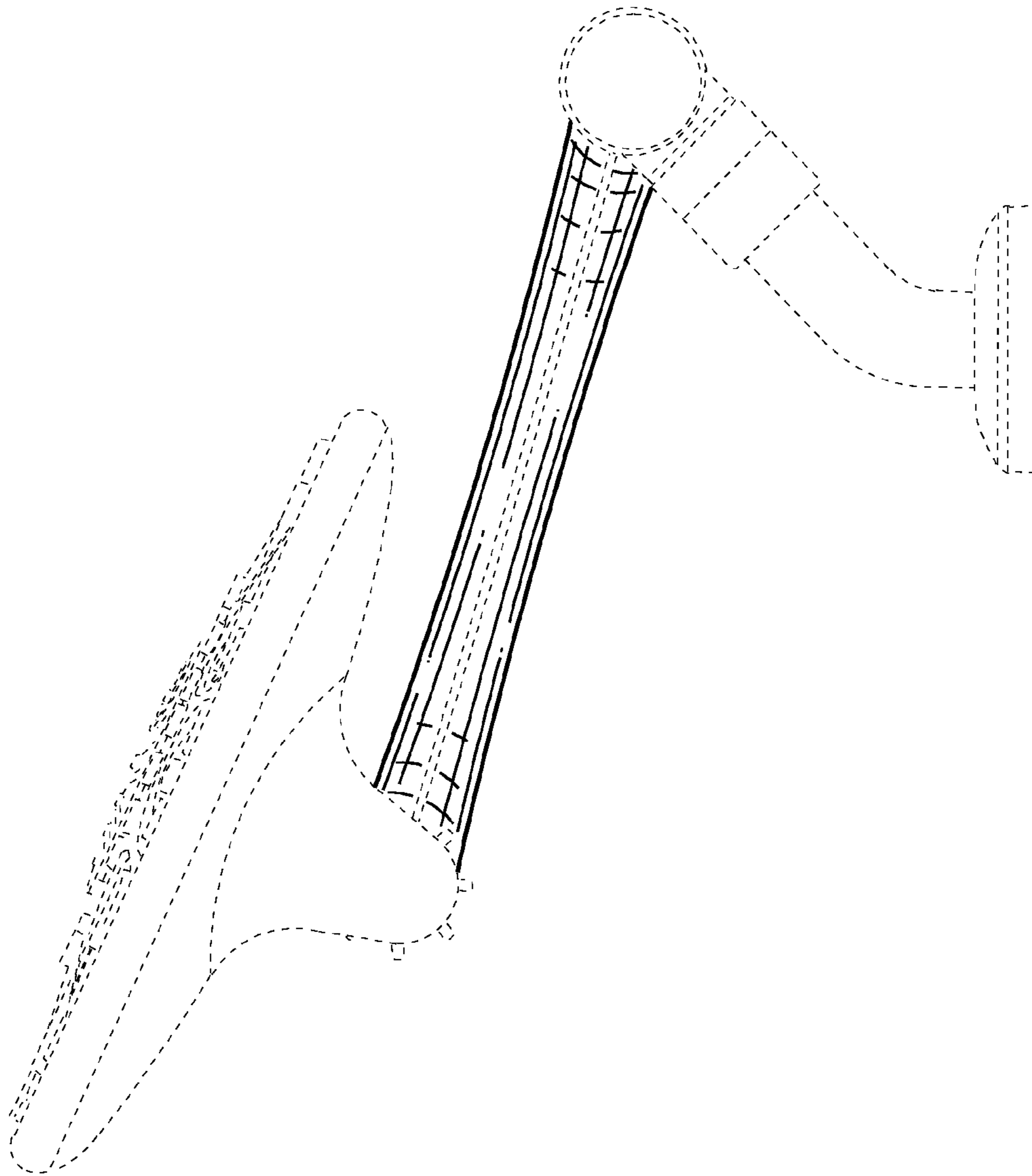


FIG. 8