



US00D711500S

(12) **United States Design Patent**
Marchetti

(10) **Patent No.:** **US D711,500 S**

(45) **Date of Patent:** **** Aug. 19, 2014**

(54) **FILTER FOR A MACHINE FOR PREPARING DRINKS**

(71) Applicant: **Roberto Marchetti**, Modena (IT)

(72) Inventor: **Roberto Marchetti**, Modena (IT)

(**) Term: **14 Years**

(21) Appl. No.: **29/444,421**

(22) Filed: **Jan. 30, 2013**

(30) **Foreign Application Priority Data**

Jul. 31, 2012 (EM) 002081943-0002

(51) **LOC (10) Cl.** **23-01**

(52) **U.S. Cl.**
USPC **D23/209; D7/397**

(58) **Field of Classification Search**
USPC D7/553.4, 553.5, 400, 397; 210/237,
210/238, 181, 87, 137; D23/207, 209;
D32/31; 220/574, 575
See application file for complete search history.

(56) **References Cited**

U.S. PATENT DOCUMENTS

D256,719 S * 9/1980 Rose D23/207
D278,650 S * 4/1985 Slovak et al. D23/209

4,880,535 A * 11/1989 Burrows 210/181
D311,767 S * 10/1990 Beall D23/207
D397,764 S * 9/1998 Strand D23/209
D412,552 S * 8/1999 Burrows D23/209
D521,594 S * 5/2006 Nickels et al. D23/209
D575,844 S * 8/2008 Park et al. D23/207
D611,298 S * 3/2010 Freeman et al. D7/397
D618,963 S * 7/2010 Freeman et al. D7/397
D643,507 S * 8/2011 Lee D23/207
D690,990 S * 10/2013 Boggs et al. D7/397
D690,991 S * 10/2013 Boggs et al. D7/397

* cited by examiner

Primary Examiner — Marianne Pandozzi

(74) *Attorney, Agent, or Firm* — Young & Thompson

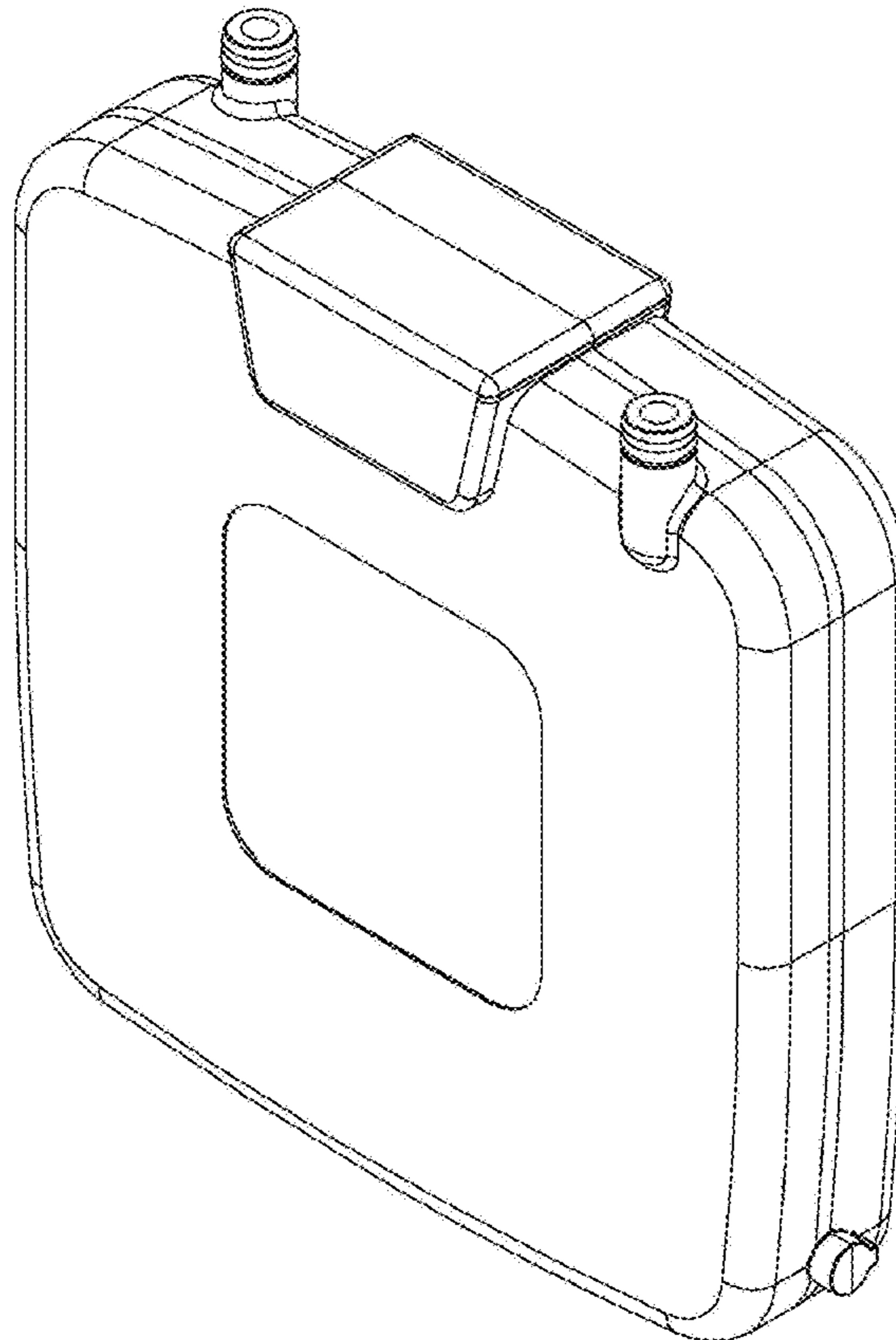
(57) **CLAIM**

The ornamental design for a filter for a machine for preparing drinks, as shown and described.

DESCRIPTION

FIG. 1 is a front, left side and top perspective view of a filter for a machine for preparing drinks showing the new design; FIG. 2 is a front elevation view thereof; FIG. 3 is a left side elevation view thereof; FIG. 4 is a rear elevation view thereof; FIG. 5 is a right side elevation view thereof; FIG. 6 is a top plan view thereof; and, FIG. 7 is a bottom plan view thereof.

1 Claim, 7 Drawing Sheets



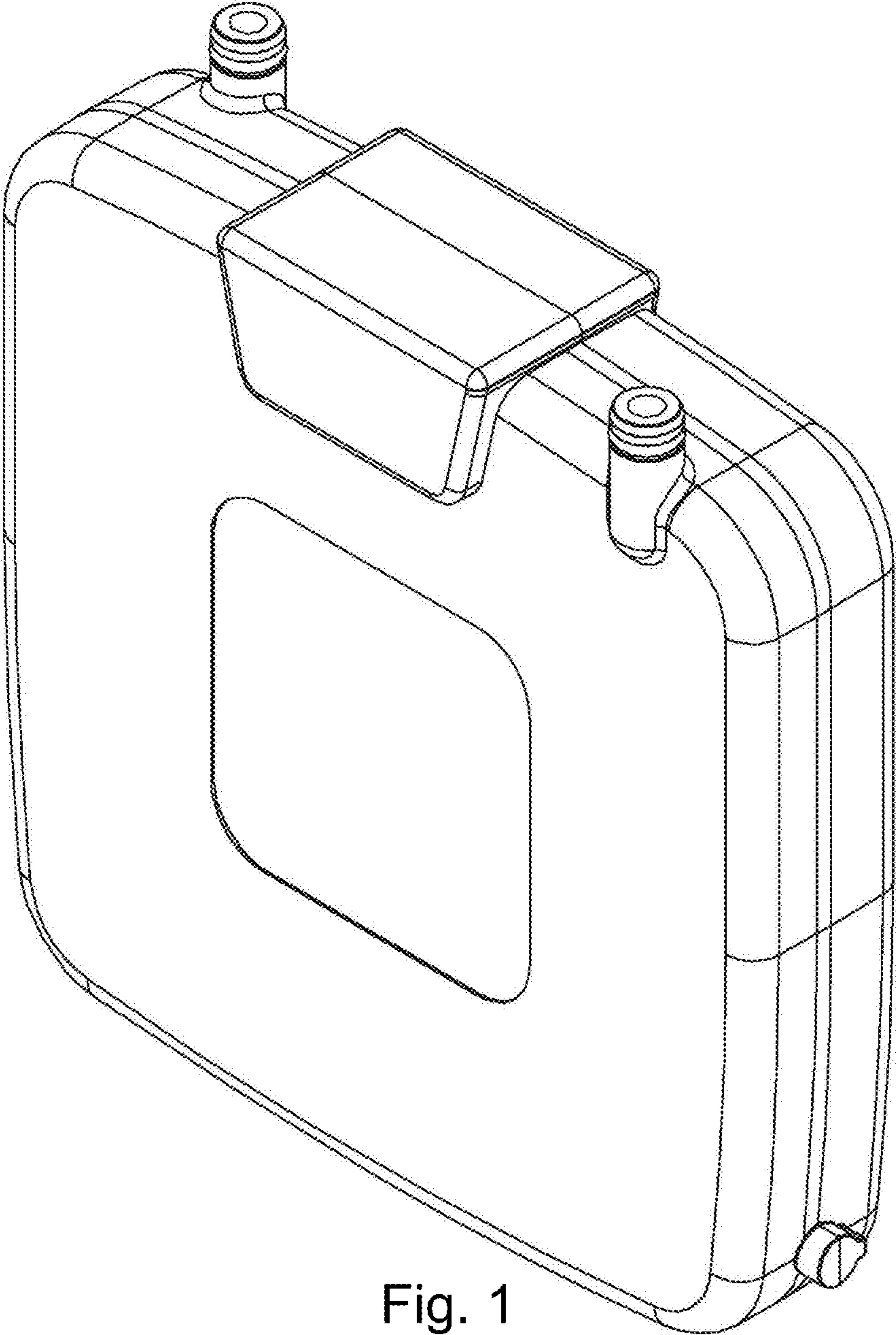


Fig. 1

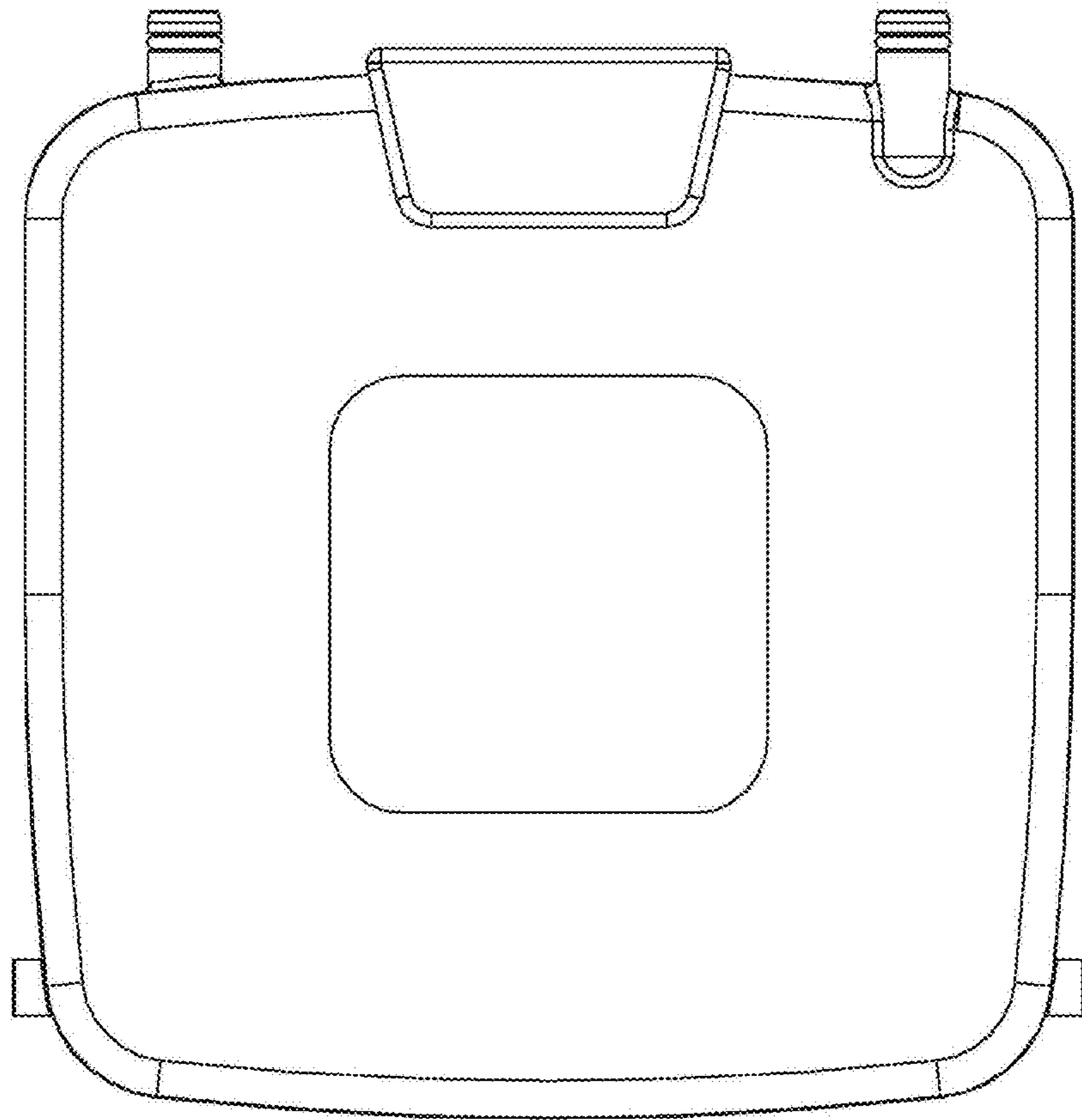


Fig. 2

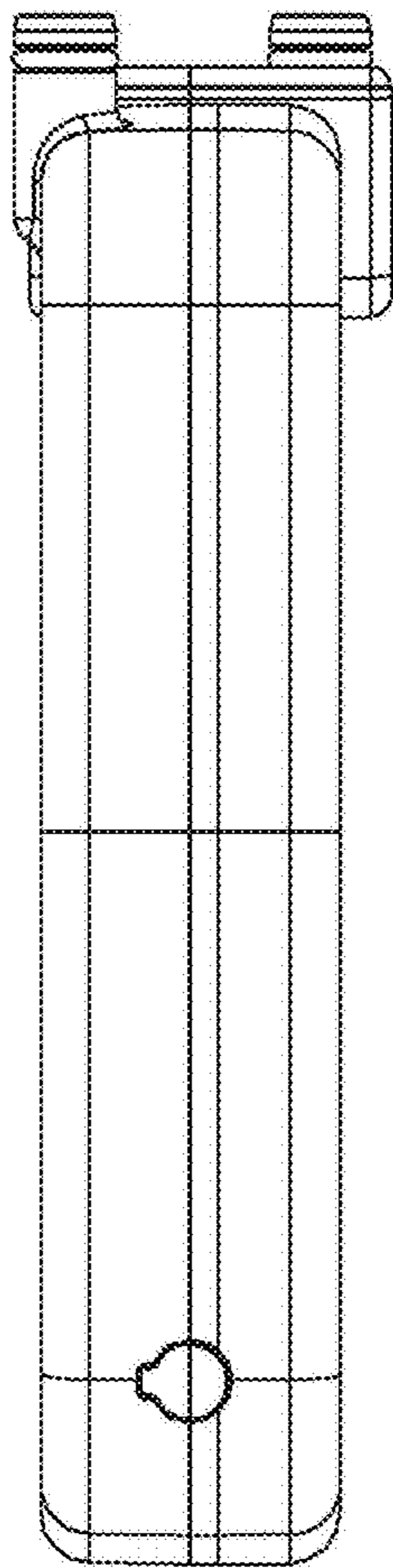


Fig. 3



Fig. 4

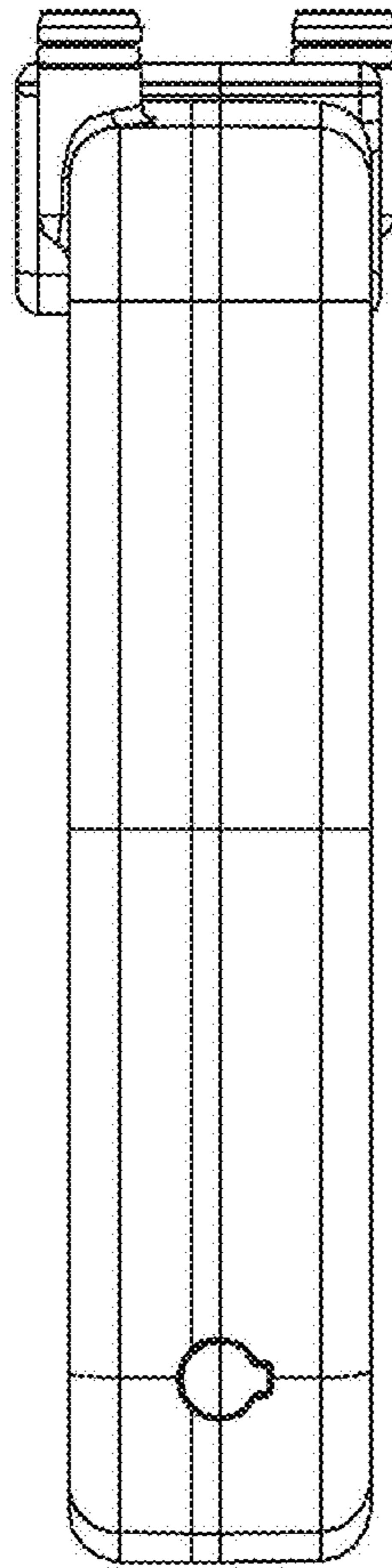


Fig. 5

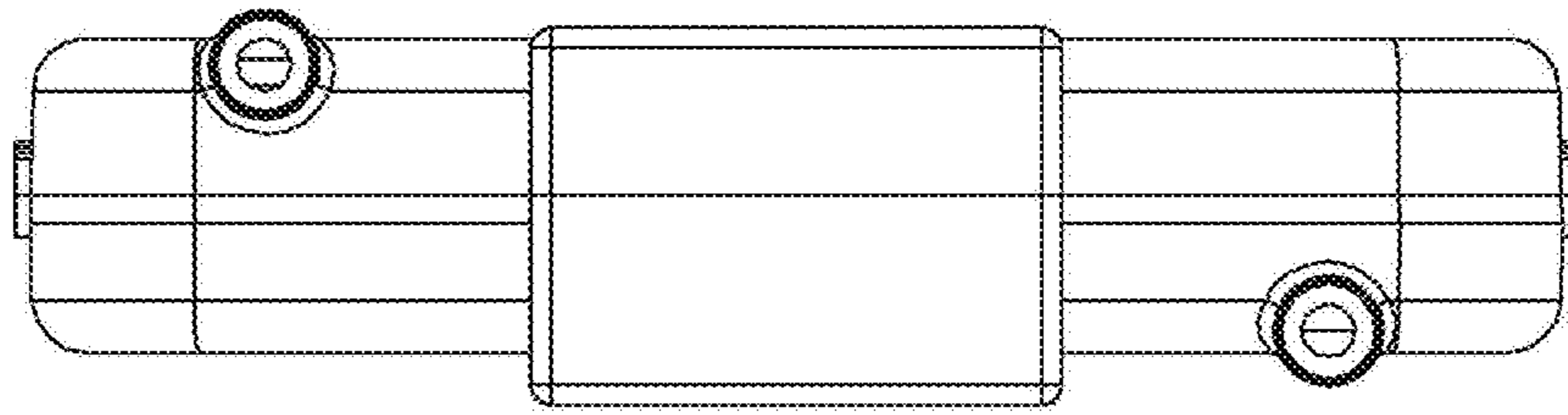


Fig. 6

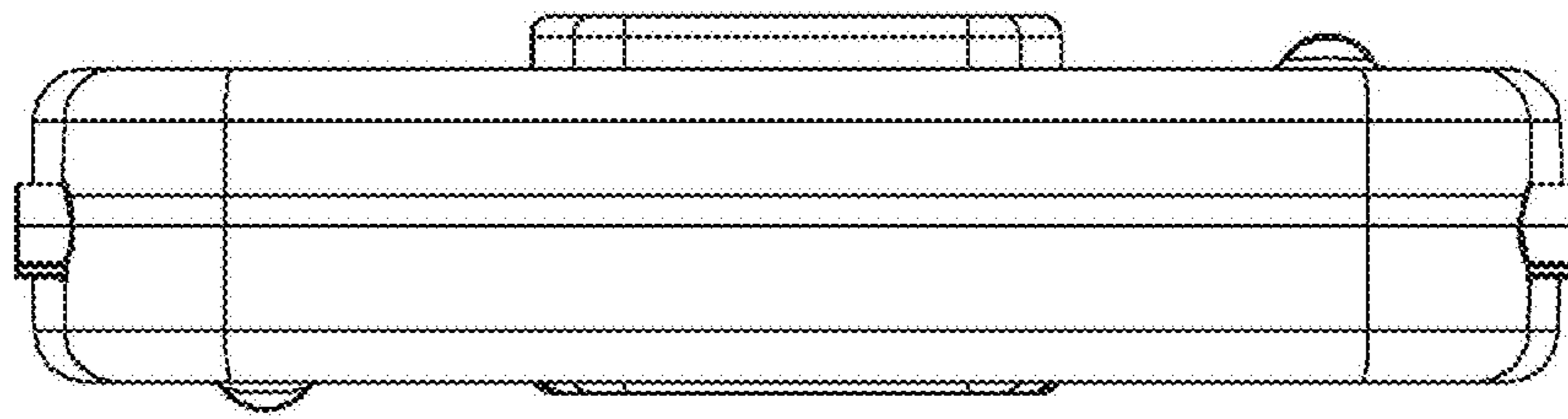


Fig. 7