



US00D711496S

(12) **United States Design Patent**
Mladek et al.

(10) **Patent No.:** **US D711,496 S**

(45) **Date of Patent:** **** Aug. 19, 2014**

(54) **DEVICE FOR KILLING INSECTS WITH HEAT**

2013/0044997 A1 2/2013 French
2013/0145681 A1 6/2013 Lindsey

* cited by examiner

(71) Applicants: **Harold Richard Mladek**, Ravenna, OH (US); **Jeffrey Lynn Nichols**, Uniontown, OH (US)

Primary Examiner — Catheri Oliver-Garcia

(74) *Attorney, Agent, or Firm* — Lonnie Drayer

(72) Inventors: **Harold Richard Mladek**, Ravenna, OH (US); **Jeffrey Lynn Nichols**, Uniontown, OH (US)

(57) **CLAIM**

We claim the ornamental design for a device for killing insects with heat, as shown and described.

(**) Term: **14 Years**

DESCRIPTION

(21) Appl. No.: **29/478,172**

(22) Filed: **Dec. 31, 2013**

(51) **LOC (10) Cl.** **22-06**

(52) **U.S. Cl.**

USPC **D22/122**

(58) **Field of Classification Search**

USPC D22/119–124; 43/107, 112–115, 122, 43/124, 131, 132.1

See application file for complete search history.

FIG. 1 is a first perspective view of a first embodiment of a device for killing insects with heat;

FIG. 2 is a second perspective view of the first embodiment of a device for killing insects with heat;

FIG. 3 is a third perspective view of the first embodiment of a device for killing insects with heat; and

FIG. 4 is a bottom view of the first embodiment of a device for killing insects with heat.

FIG. 5 is a first perspective view of a second embodiment of a device for killing insects with heat;

FIG. 6 is a second perspective view of the second embodiment of a device for killing insects with heat;

FIG. 7 is a third perspective view of the second embodiment of a device for killing insects with heat; and

FIG. 8 is a bottom view of the second embodiment of a device for killing insects with heat.

FIG. 9 is a first perspective view of a third embodiment of a device for killing insects with heat;

FIG. 10 is a second perspective view of a third embodiment of a device for killing insects with heat; and

FIG. 11 is a top view of a third embodiment of a device for killing insects with heat.

FIG. 12 is a first perspective view of a fourth embodiment of a device for killing insects with heat; and,

FIG. 13 is a second perspective view of the fourth embodiment of a device for killing insects with heat.

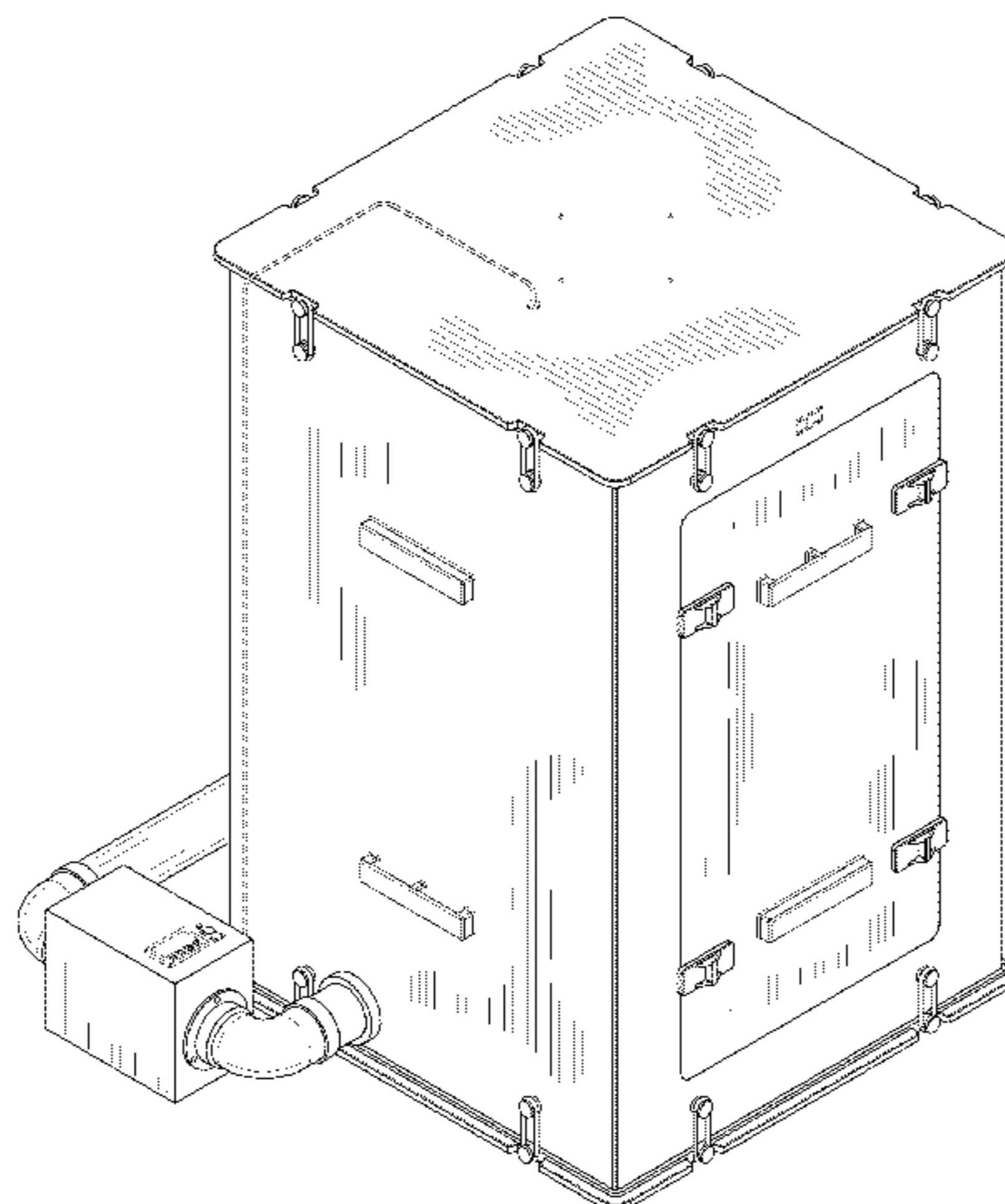
The broken line showing of environment in the drawings is included for the purpose of illustrating only and forms no part of the claimed design.

(56) **References Cited**

U.S. PATENT DOCUMENTS

3,187,458	A *	6/1965	Densmore	43/113
D275,414	S *	9/1984	Boyd	D22/123
4,817,329	A	4/1989	Forbes	
4,961,283	A	10/1990	Forbes	
D369,395	S *	4/1996	Dewberry	D22/122
6,134,826	A *	10/2000	Mah	43/112
6,530,172	B2 *	3/2003	Lenz	43/112
D538,880	S *	3/2007	Duston et al.	D22/123
8,479,439	B2	7/2013	DeMonte et al.	
8,479,440	B2	7/2013	DeMonte et al.	
2010/0329649	A1	12/2010	Potter et al.	
2011/0186558	A1	8/2011	Campbell	
2011/0308139	A1	12/2011	James	
2012/0060407	A1	3/2012	Lindsey	
2012/0186139	A1	7/2012	O'Brien et al.	
2012/0192479	A1	8/2012	Schmitz	
2012/0204478	A1	8/2012	Gere et al.	
2012/0233907	A1	9/2012	Pattison et al.	
2012/0285944	A1	11/2012	Bermudez	
2012/0304528	A1	12/2012	Hosli et al.	

1 Claim, 13 Drawing Sheets



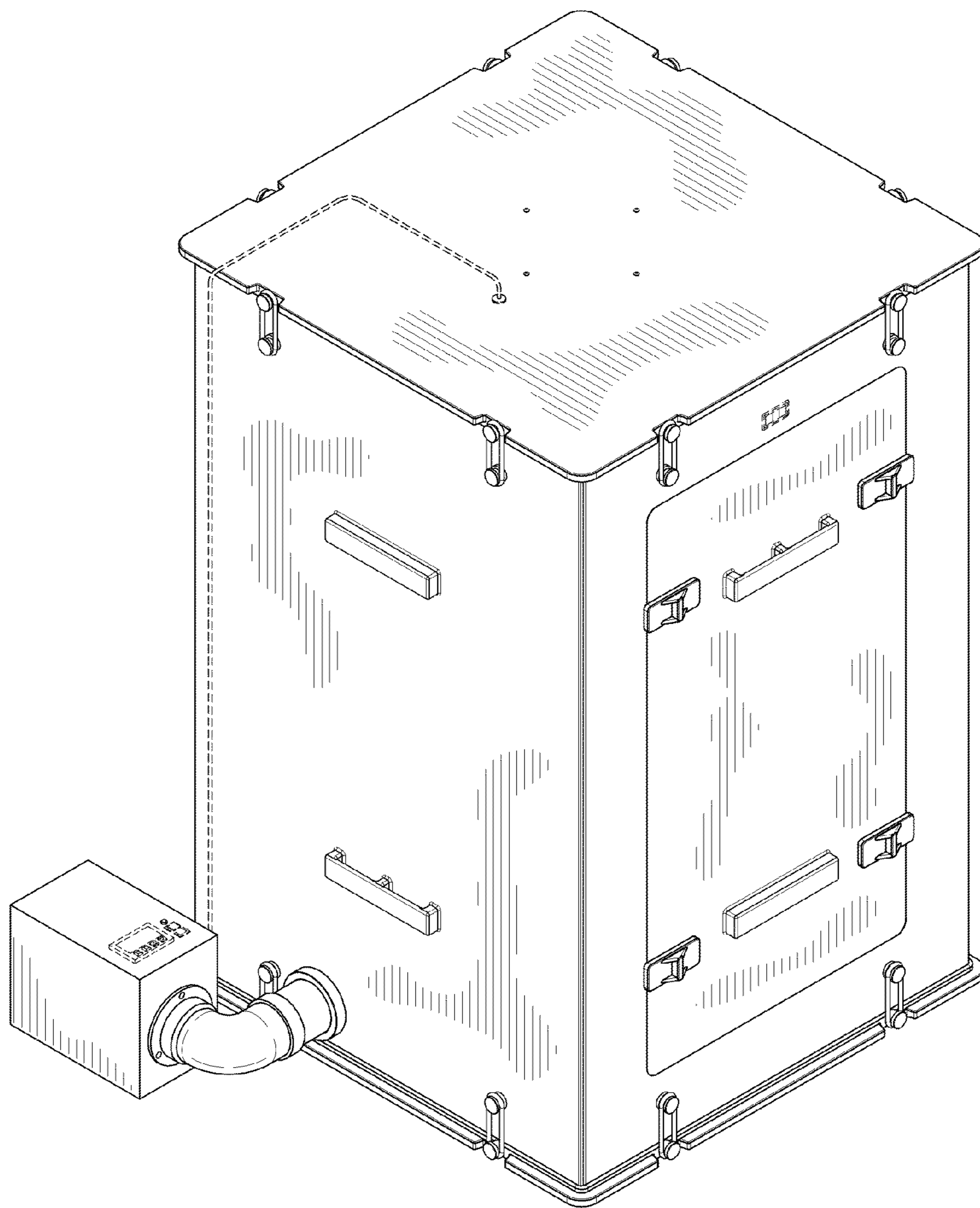


FIG-1

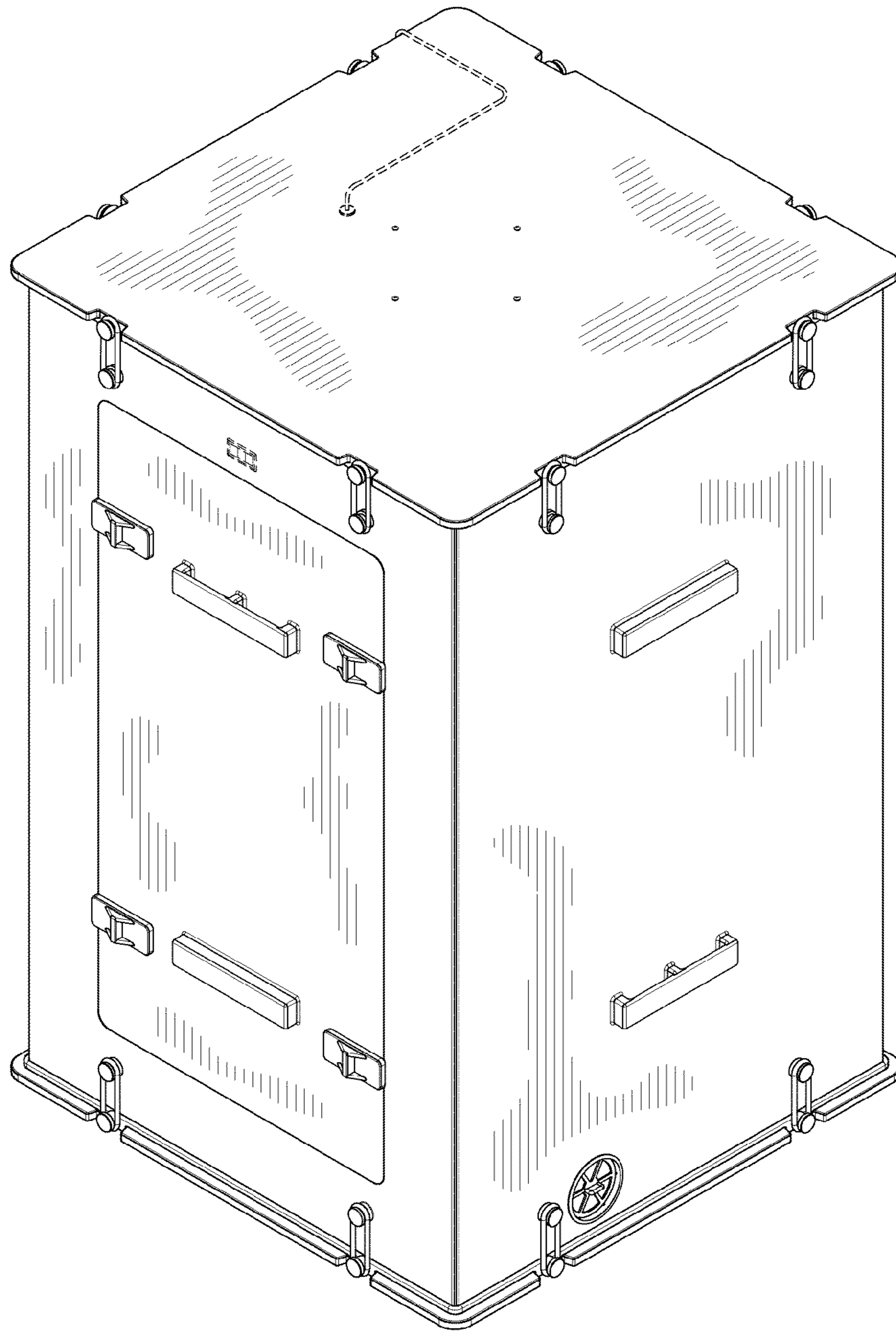


FIG-2

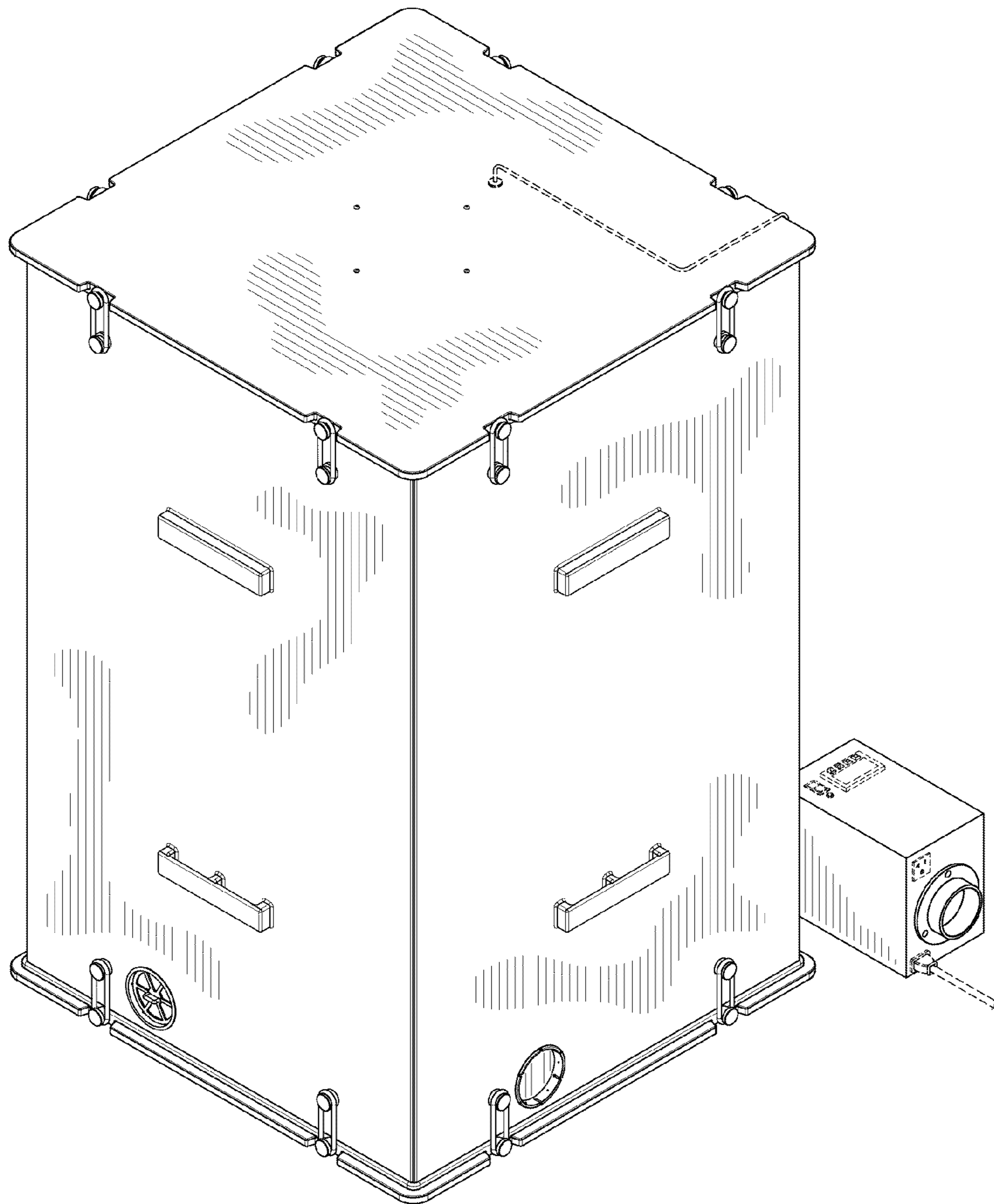


FIG-3

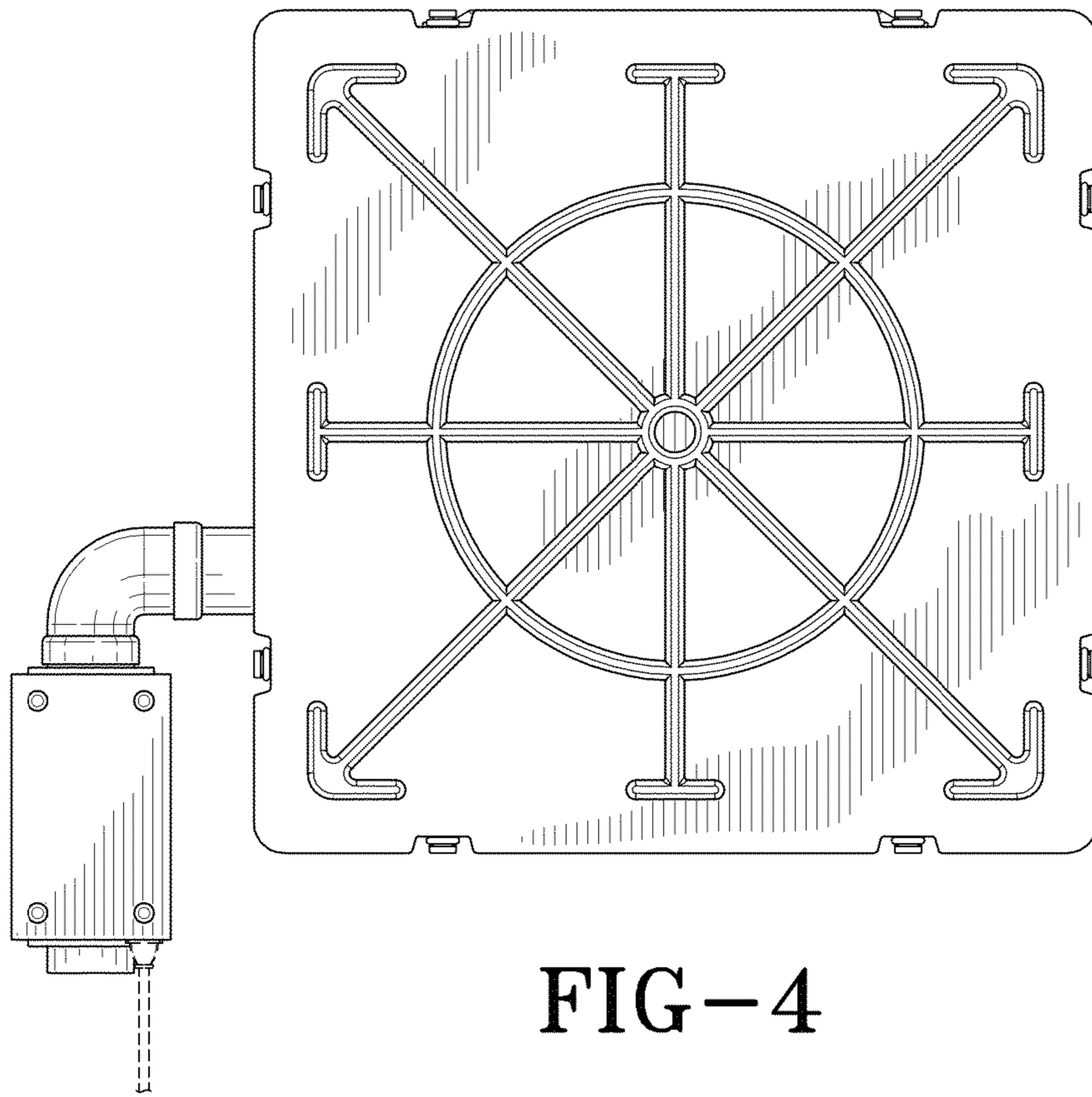


FIG-4

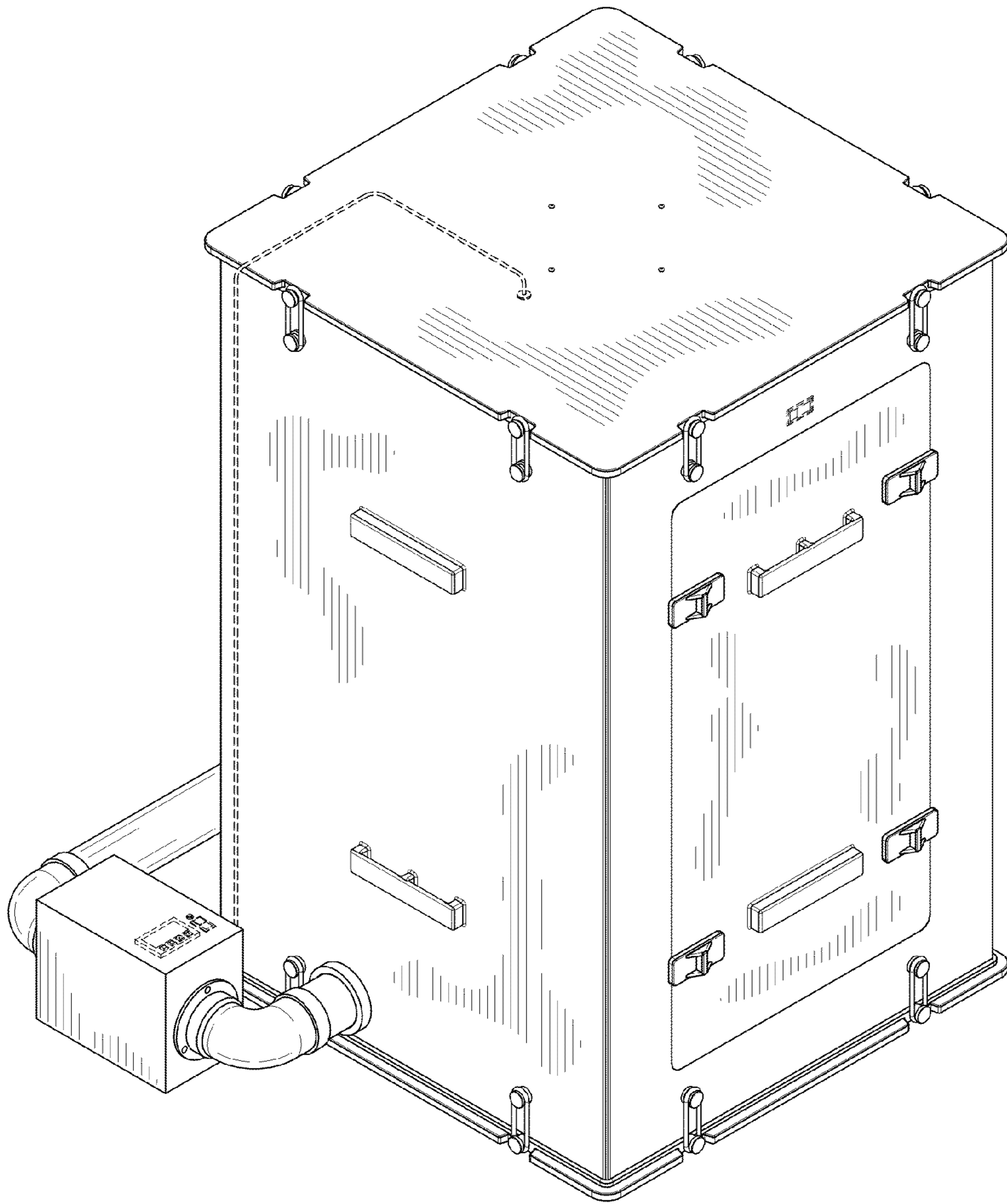


FIG-5

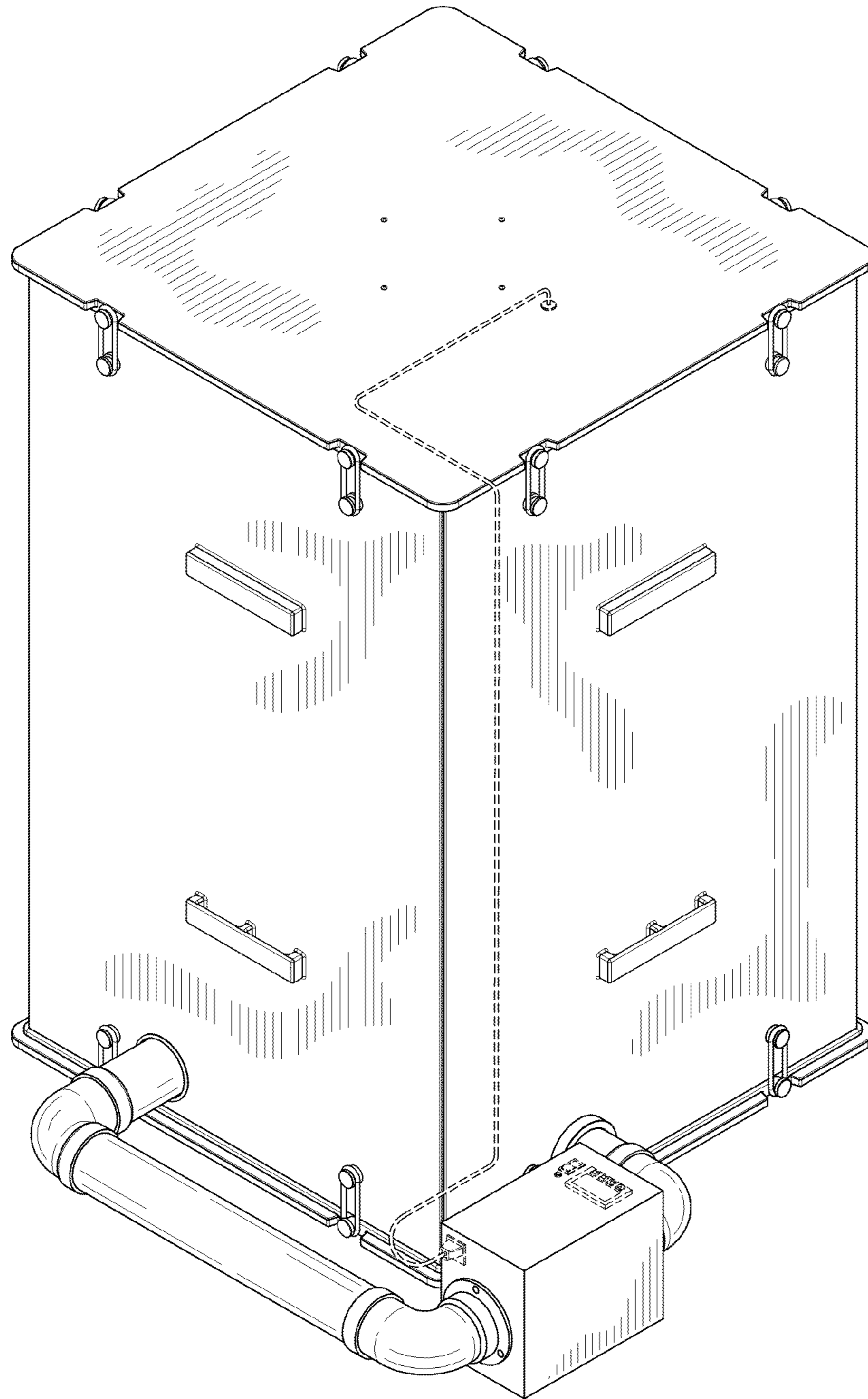


FIG-6

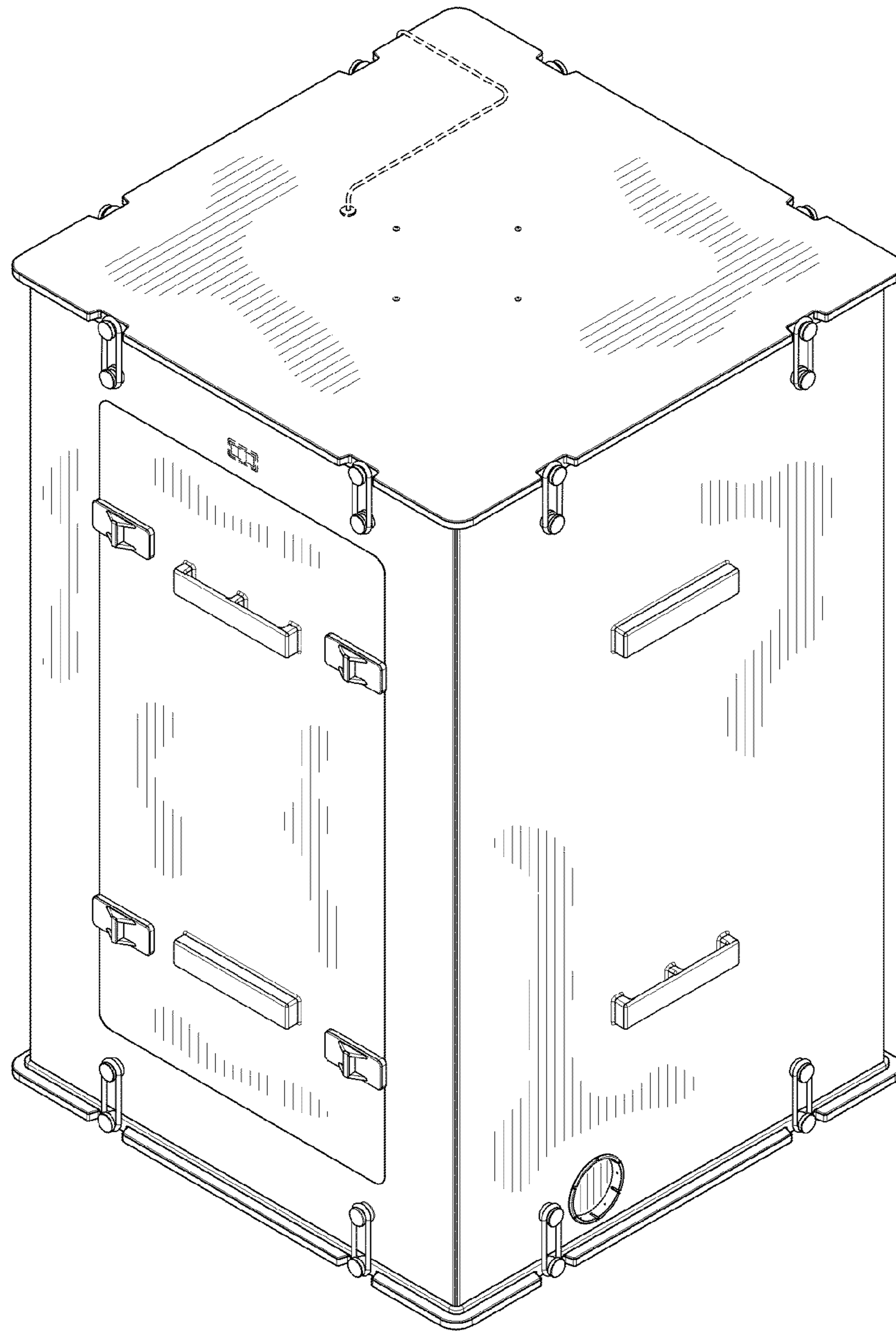


FIG-7

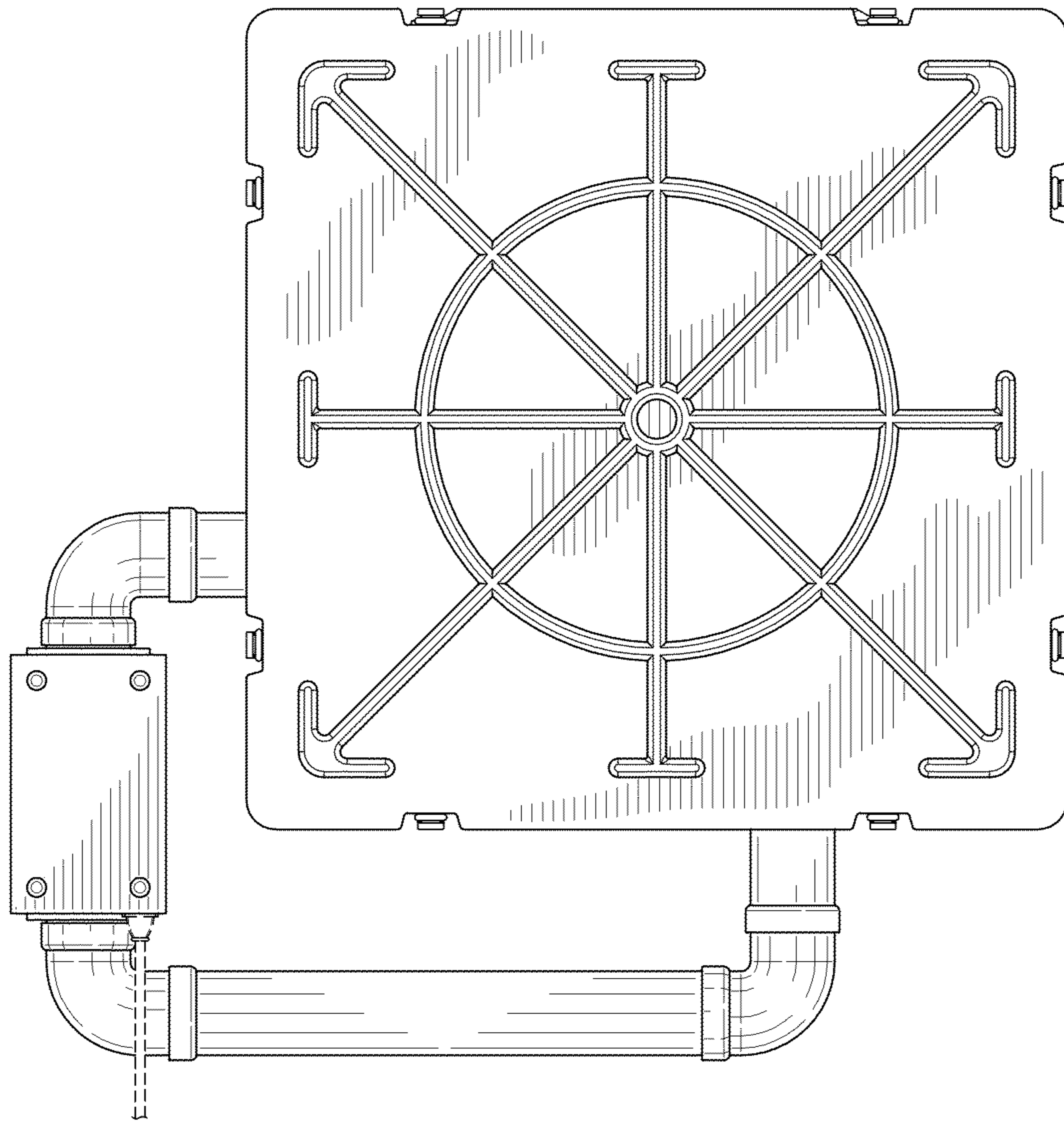


FIG-8

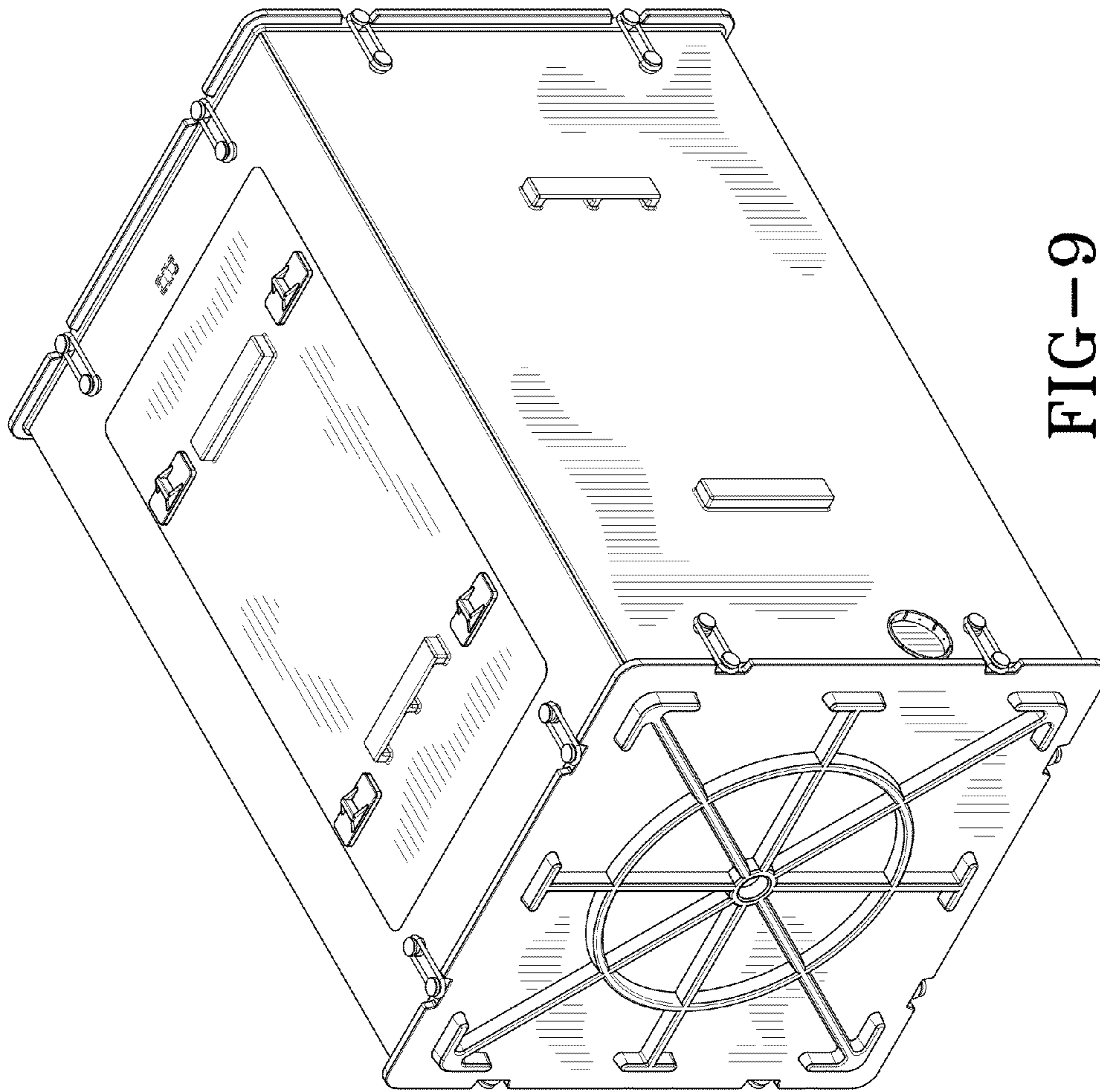


FIG-9

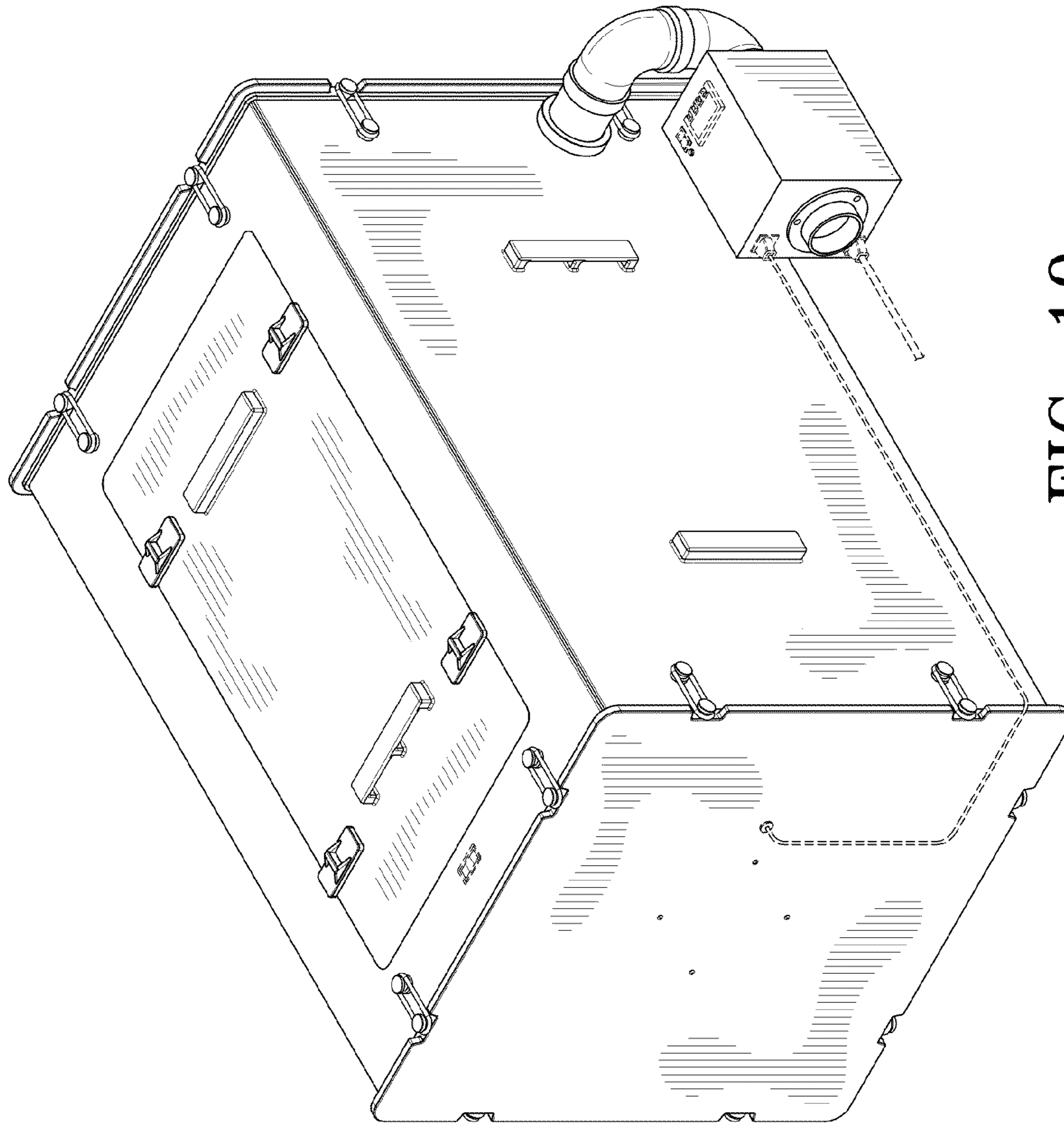


FIG-10

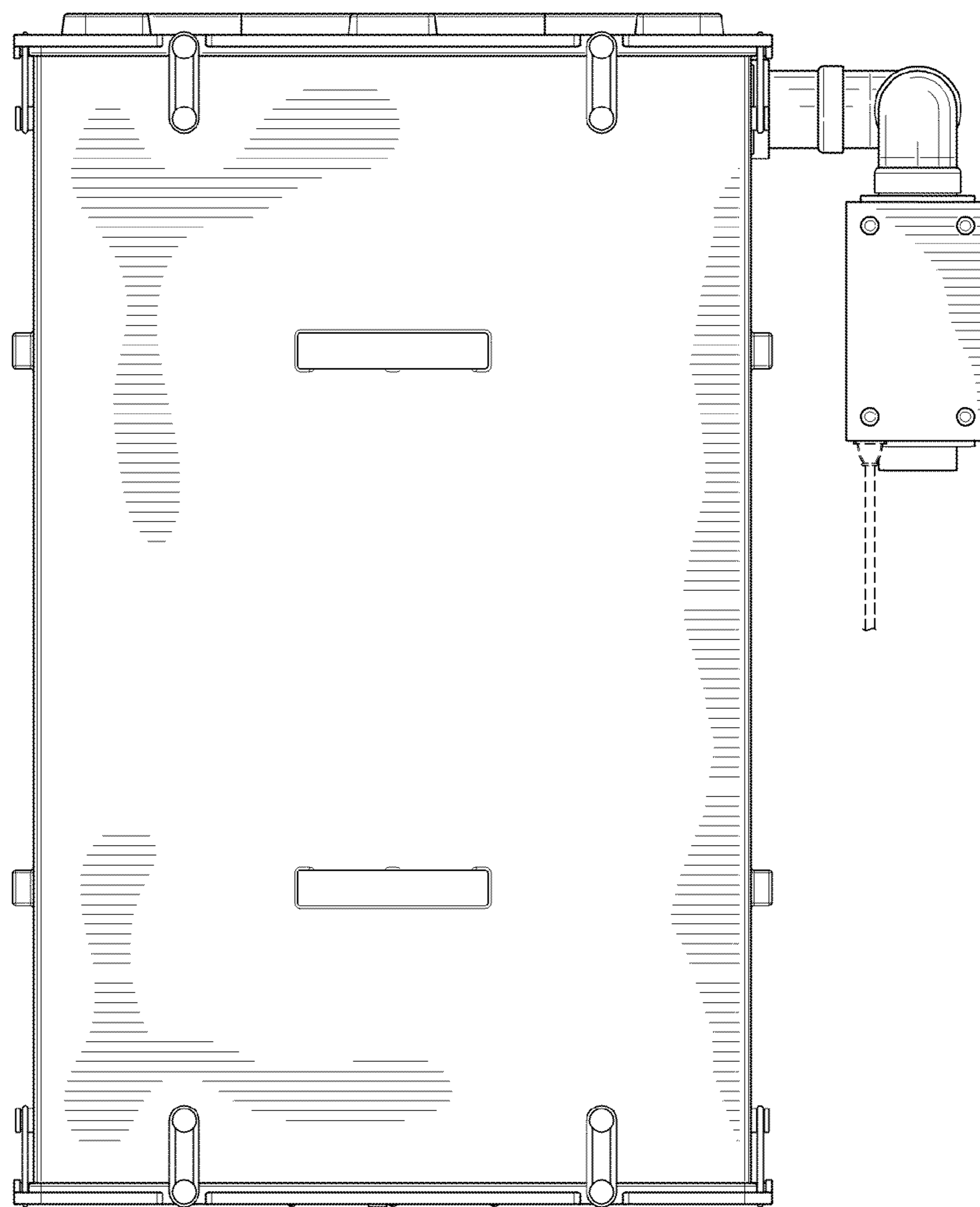


FIG-11

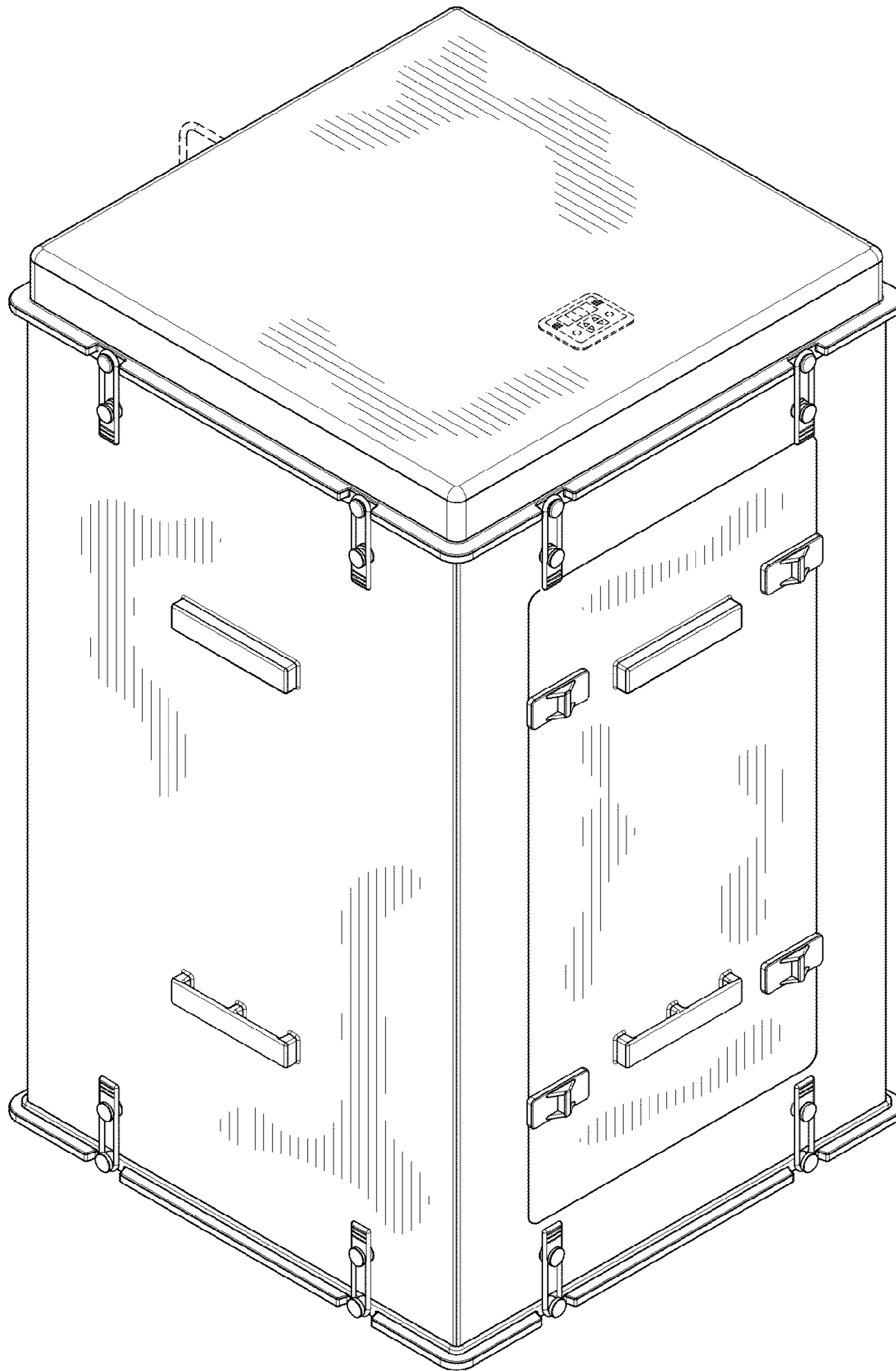


FIG-12

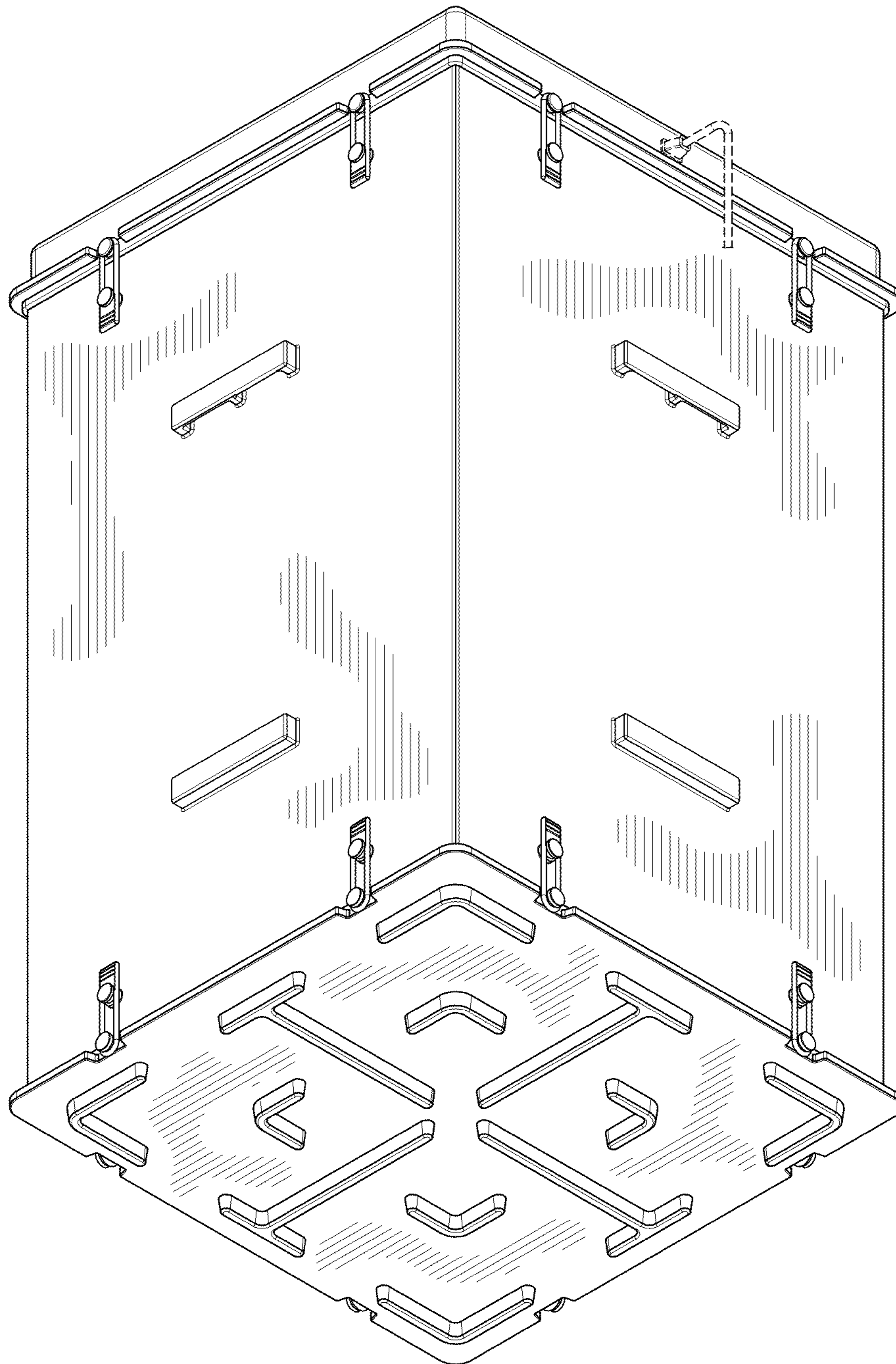


FIG-13