



US00D711495S

(12) **United States Design Patent**  
**Metlen et al.**

(10) **Patent No.:** **US D711,495 S**  
(45) **Date of Patent:** **\*\* Aug. 19, 2014**

(54) **ELECTRONIC RODENT EXTERMINATOR**

(71) Applicants: **Todd Metlen**, Ojai, CA (US); **Eli Probst**, Thousand Oaks, CA (US)

(72) Inventors: **Todd Metlen**, Ojai, CA (US); **Eli Probst**, Thousand Oaks, CA (US)

(\*\*) Term: **14 Years**

(21) Appl. No.: **29/471,601**

(22) Filed: **Nov. 2, 2013**

(51) **LOC (10) Cl.** ..... **22-06**

(52) **U.S. Cl.**  
USPC ..... **D22/119**

(58) **Field of Classification Search**  
CPC ..... A01M 1/00; A01M 1/02; A01M 1/10;  
A01M 1/103; A01M 1/106; A01M 1/14  
USPC ..... D22/119-124; 43/58, 60-61, 67, 73  
See application file for complete search history.

(56) **References Cited**

**U.S. PATENT DOCUMENTS**

909,814 A	1/1909	Norris
2,595,130 A	5/1950	Edwards
3,197,916 A	8/1965	Cole, Jr. et al.
D239,446 S	4/1976	Gilbert
D262,732 S	1/1982	Warren et al.
D291,588 S	8/1987	Melton
4,780,985 A	11/1988	Coots
D346,199 S	4/1994	Spragins et al.

D425,960 S	5/2000	O'Hara	
D470,562 S *	2/2003	Lafforthun	..... D22/119
6,609,328 B2	8/2003	Swift et al.	
6,775,947 B2	8/2004	Anderson et al.	
D589,583 S	3/2009	Phillips et al.	
D617,864 S	6/2010	Cink et al.	
D620,068 S	7/2010	Cink et al.	
7,757,430 B2	7/2010	Wetzel et al.	
D632,756 S	2/2011	Studer et al.	
7,987,628 B2 *	8/2011	Le Laidier et al.	..... 43/61
D678,977 S *	3/2013	Huang	..... D22/119
D690,789 S *	10/2013	Wauson	..... D22/119
8,683,737 B2 *	4/2014	Studer et al.	..... 43/61

\* cited by examiner

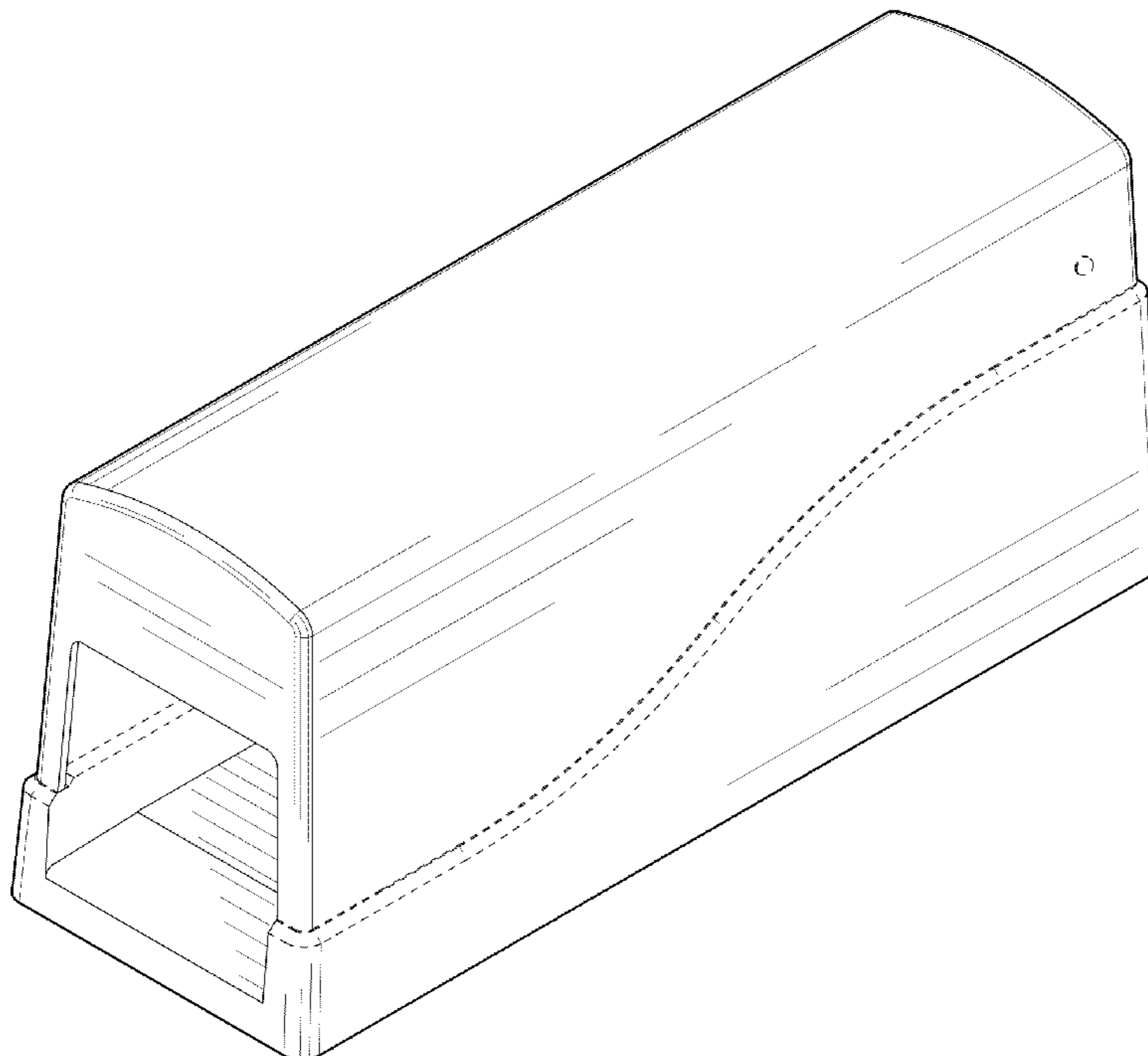
*Primary Examiner* — Catheri Oliver-Garcia

(57) **CLAIM**  
The ornamental design for a electronic rodent exterminator, as shown and described.

**DESCRIPTION**

FIG. 1 is a front perspective view of an electronic rodent exterminator showing our new design;  
FIG. 2 is a rear perspective view thereof;  
FIG. 3 is a front perspective view thereof with cover detached;  
FIG. 4 is a top plan view thereof;  
FIG. 5 is a front elevation view thereof;  
FIG. 6 is a right side elevation view thereof;  
FIG. 7 is a rear elevation view thereof;  
FIG. 8 is a left side elevation view thereof; and,  
FIG. 9 is a bottom plan view thereof.  
The broken lines form no part of the claimed design.

**1 Claim, 4 Drawing Sheets**



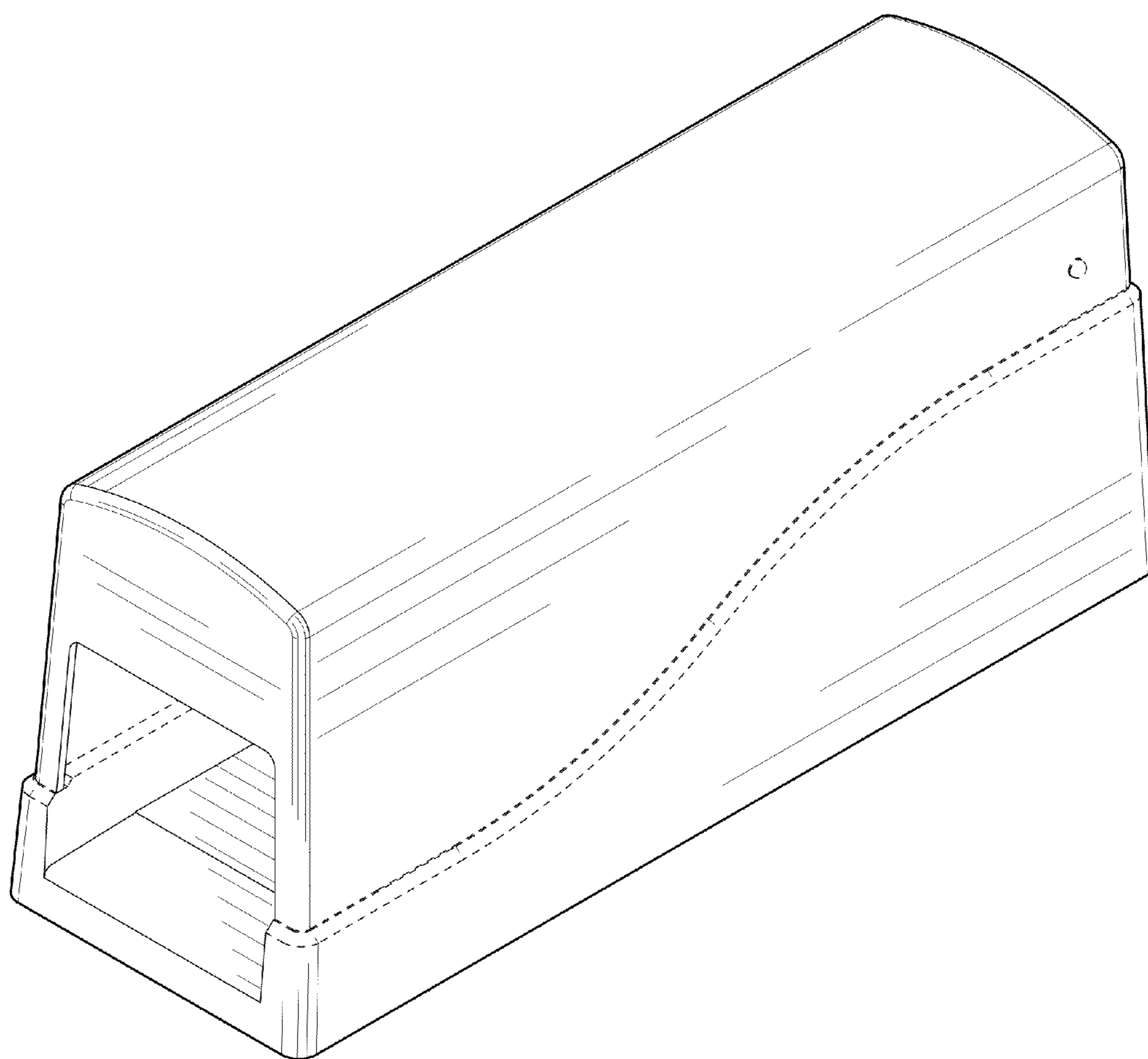


FIG. 1

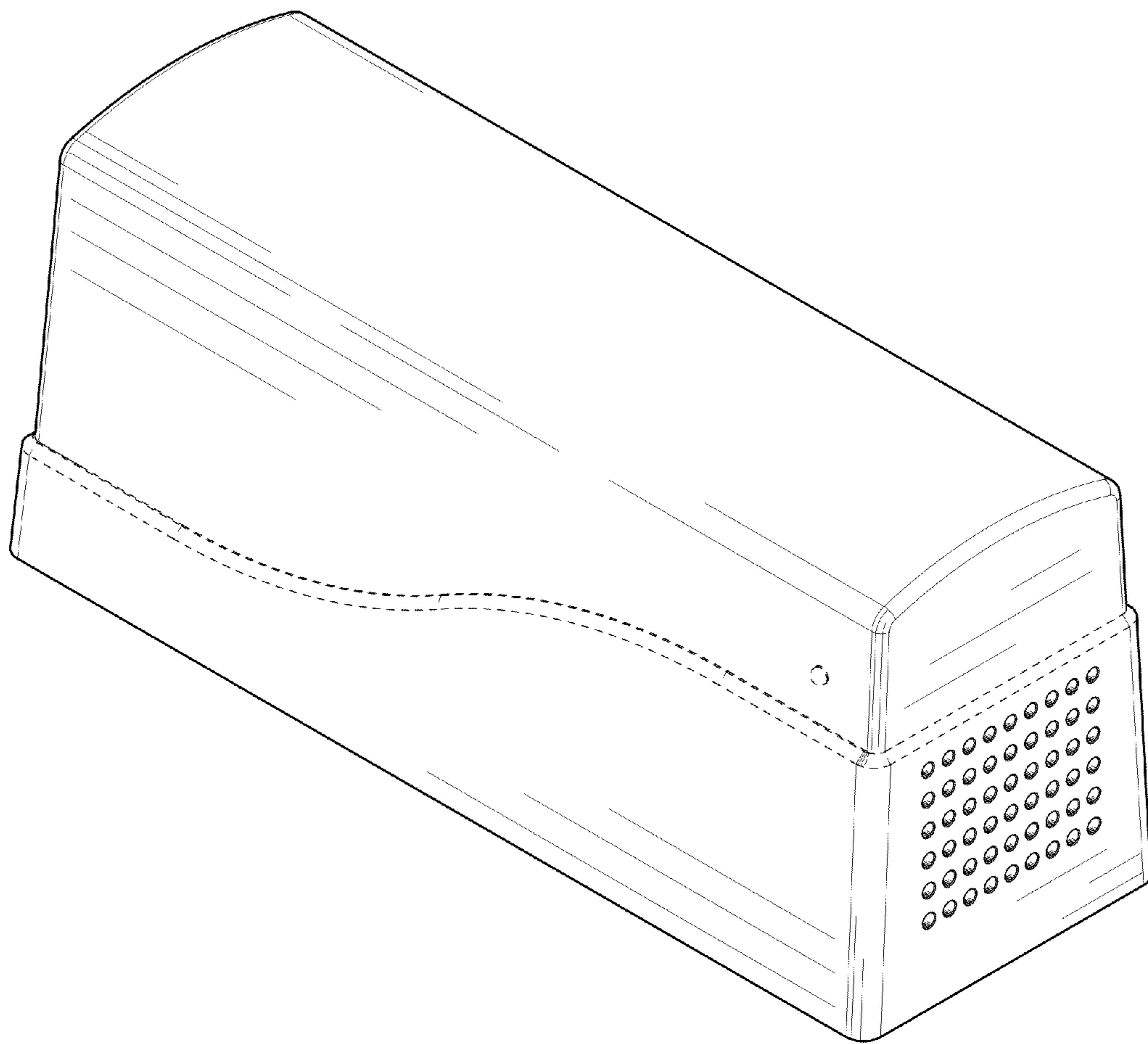
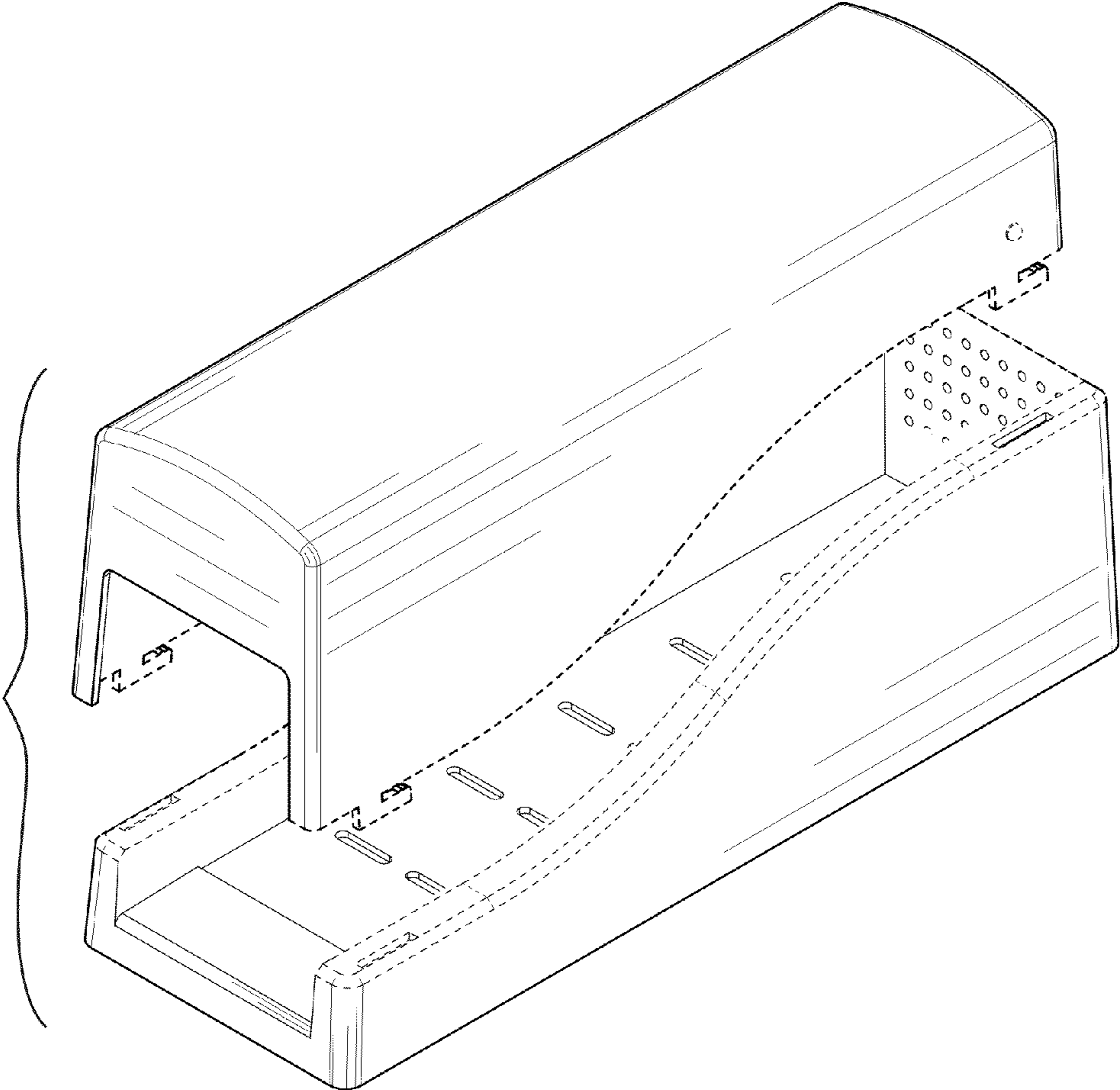


FIG. 2

FIG. 3



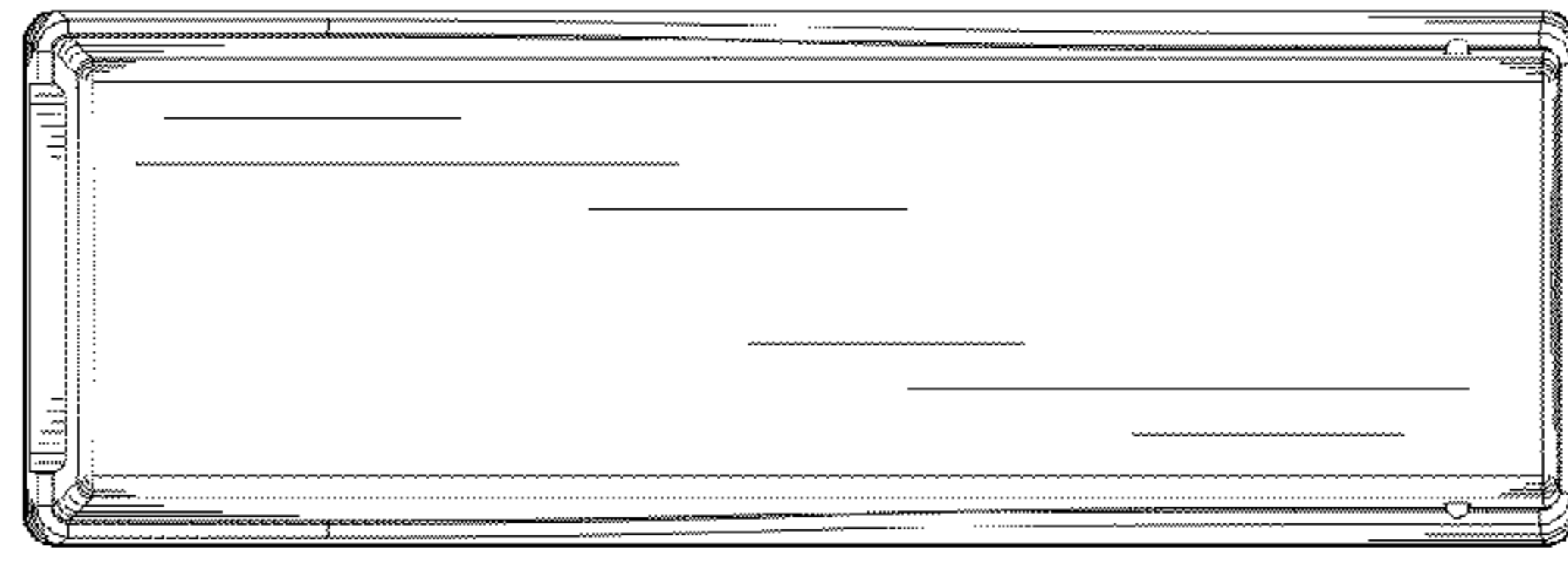


FIG. 4

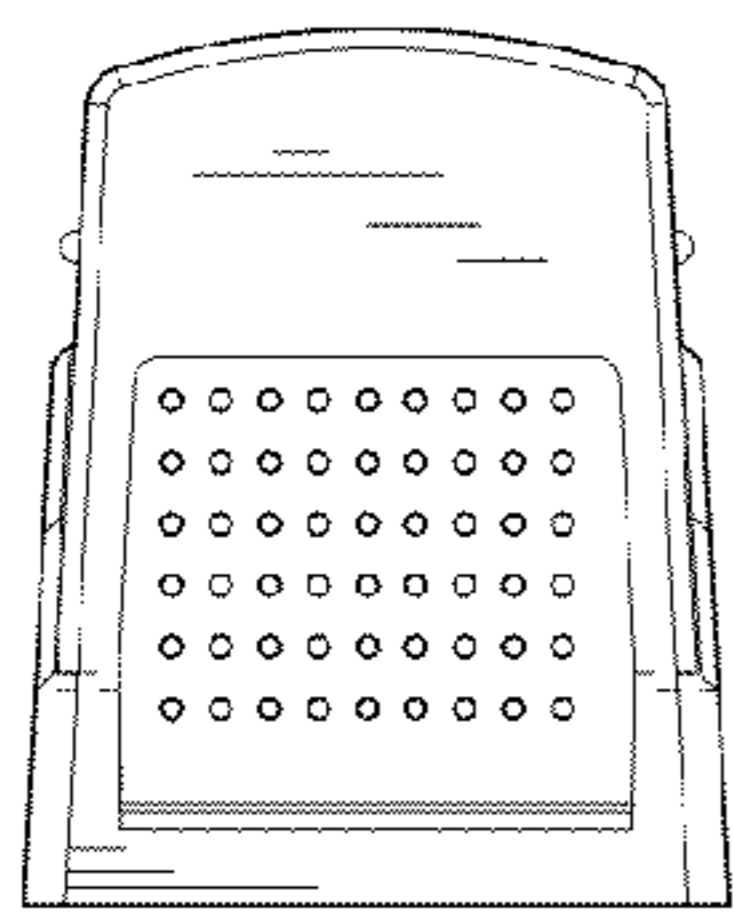


FIG. 5

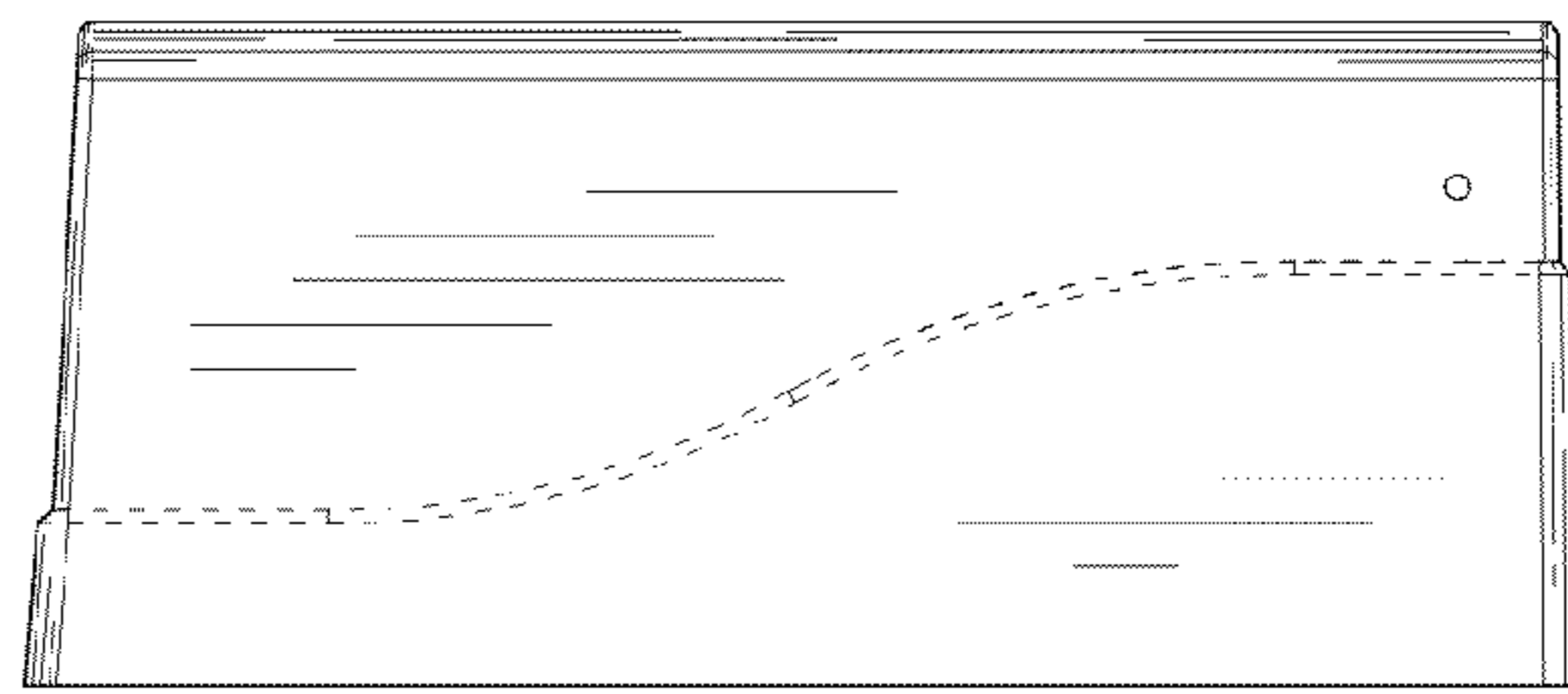


FIG. 6

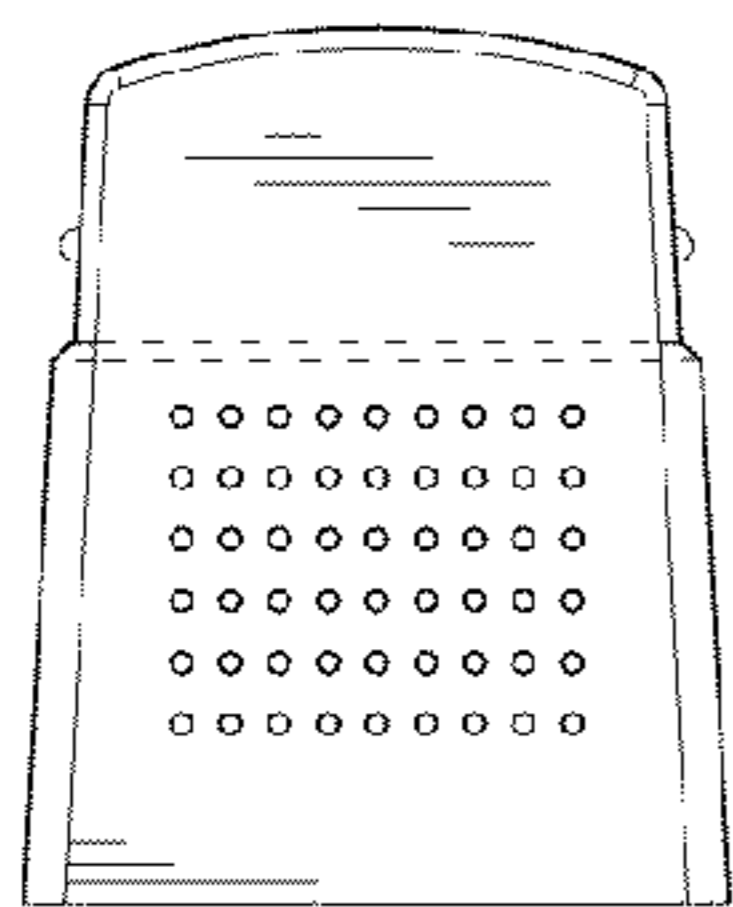


FIG. 7

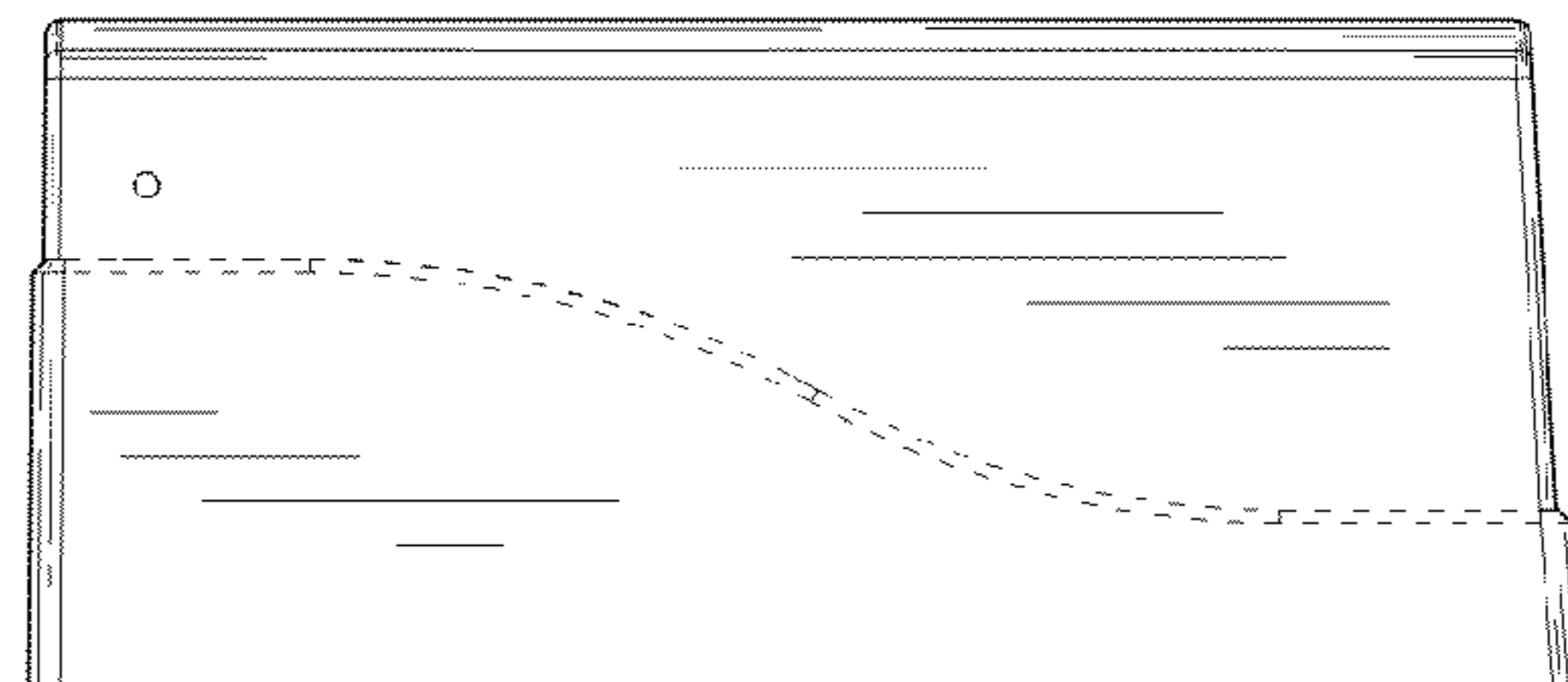


FIG. 8

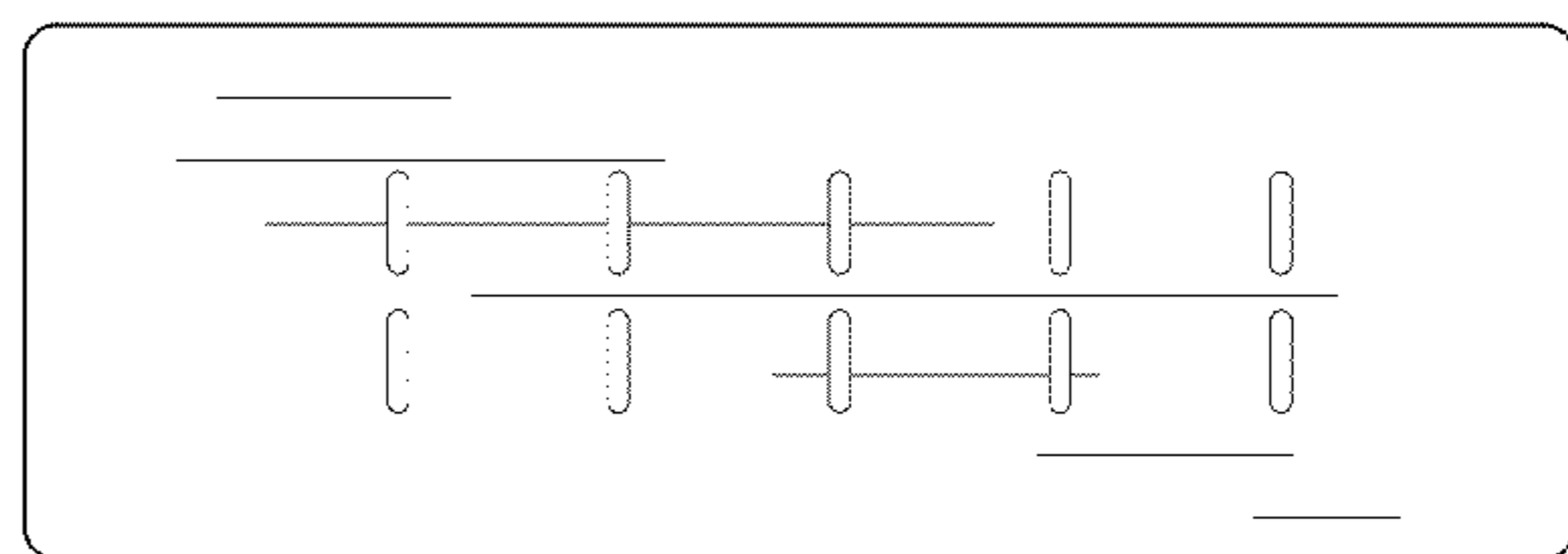


FIG. 9