



US00D711493S

(12) **United States Design Patent**
Scull

(10) **Patent No.:** **US D711,493 S**

(45) **Date of Patent:** **** Aug. 19, 2014**

(54) **PISTOL RECOIL SIMULATOR**

(71) Applicant: **Charles H. Scull**, Sacramento, CA (US)

(72) Inventor: **Charles H. Scull**, Sacramento, CA (US)

(**) Term: **14 Years**

(21) Appl. No.: **29/453,786**

(22) Filed: **May 2, 2013**

(51) **LOC (10) Cl.** **22-01**

(52) **U.S. Cl.**
USPC **D22/108**

(58) **Field of Classification Search**

USPC D22/104; 89/40.06, 41.19, 37.04,
89/33.04, 191.01, 200-204; 124/67, 66,
124/72, 74; 42/40-42.01, 42.02, 42.03,
42/43-45, 57, 69.01, 71.02, 72, 100;
434/18, 24

See application file for complete search history.

(56) **References Cited**

U.S. PATENT DOCUMENTS

2,708,319 A * 5/1955 Tratsch 434/18
4,079,525 A * 3/1978 Linton et al. 434/18

4,480,999 A * 11/1984 Witherell et al. 434/18
4,804,325 A * 2/1989 Willits et al. 434/22
2011/0111374 A1* 5/2011 Charles et al. 434/19

* cited by examiner

Primary Examiner — Michael A Pratt

(74) *Attorney, Agent, or Firm* — Catherine Ashley Straight

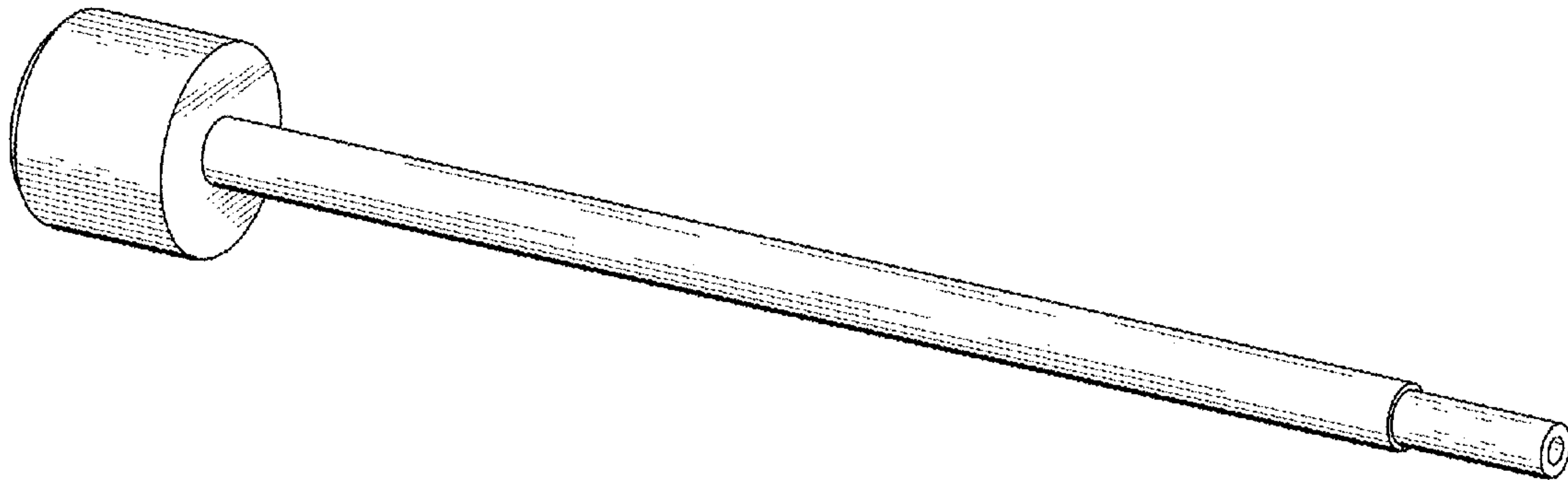
(57) **CLAIM**

The ornamental design for a pistol recoil simulator, as shown and described.

DESCRIPTION

FIG. 1 is a rear perspective view of a pistol recoil simulator according to my novel design;
FIG. 2 is a typical side elevation view, thereof, the pistol recoil simulator being symmetrical about a longitudinal axis;
FIG. 3 is a rear elevation view, thereof;
FIG. 4 is a front elevation view, thereof; and,
FIG. 5 is a reduced scale, fragmentary front perspective view, showing the article in environment; the pistol shown in broken lines is included solely for illustrative purposes, forming no part of the claimed design.

1 Claim, 1 Drawing Sheet



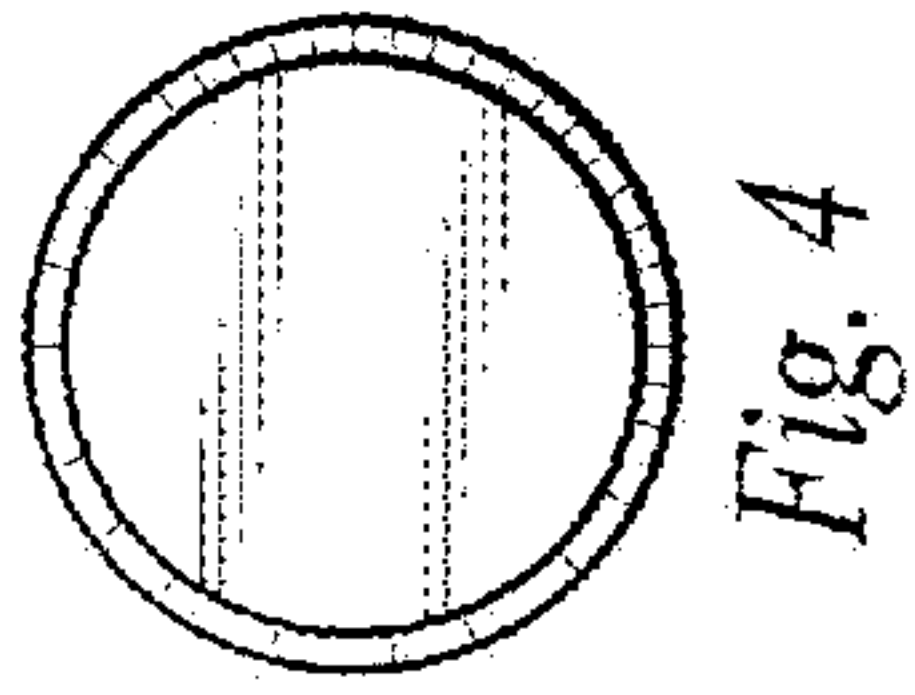


Fig. 4

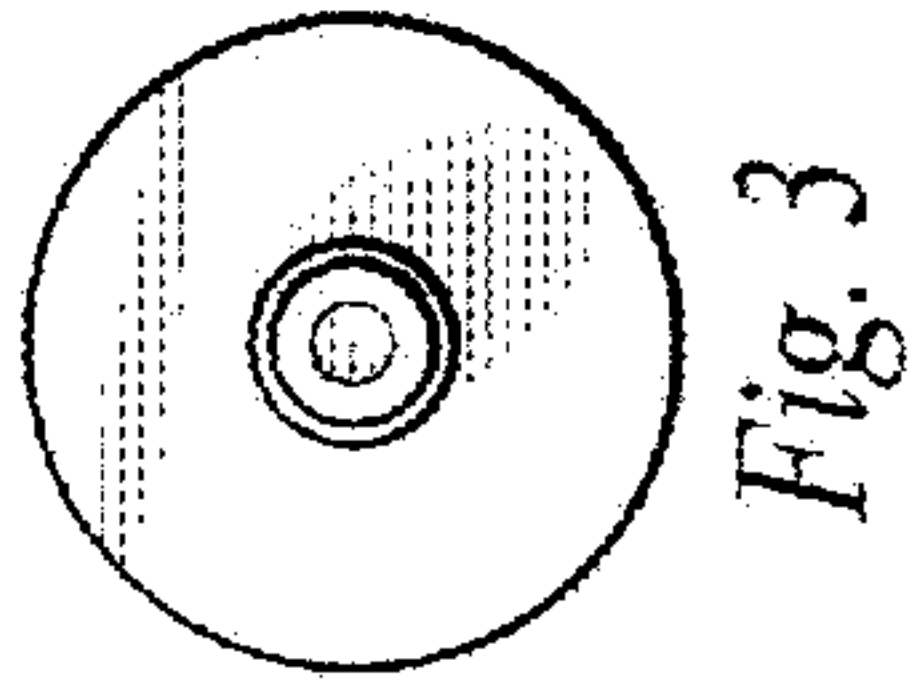


Fig. 3

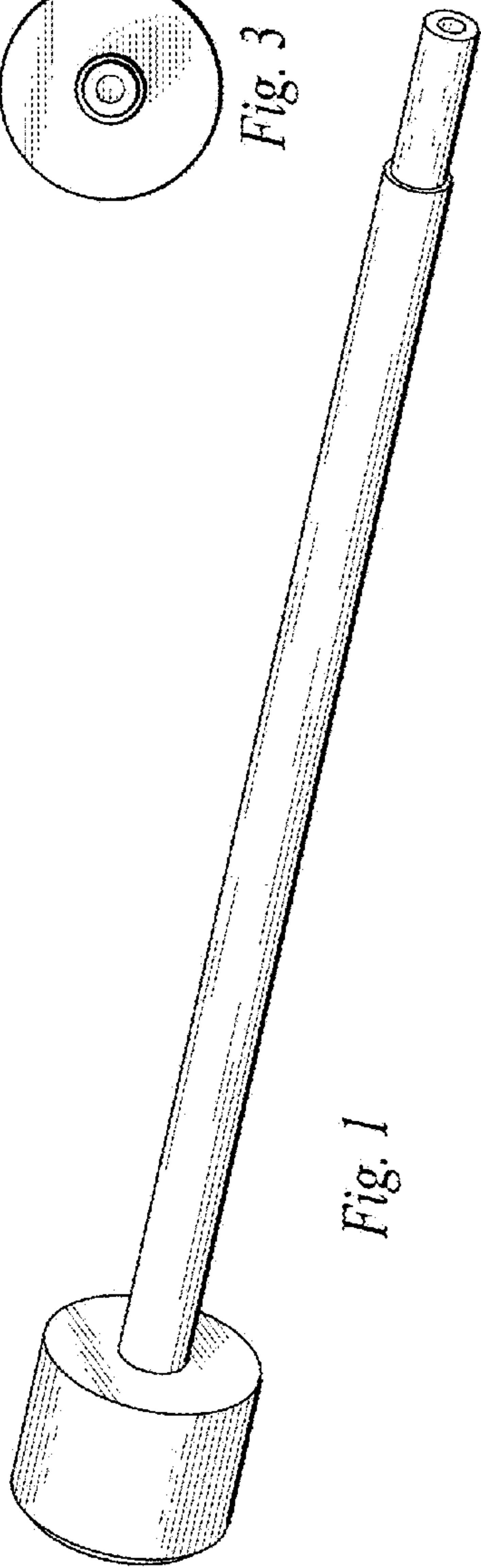


Fig. 1

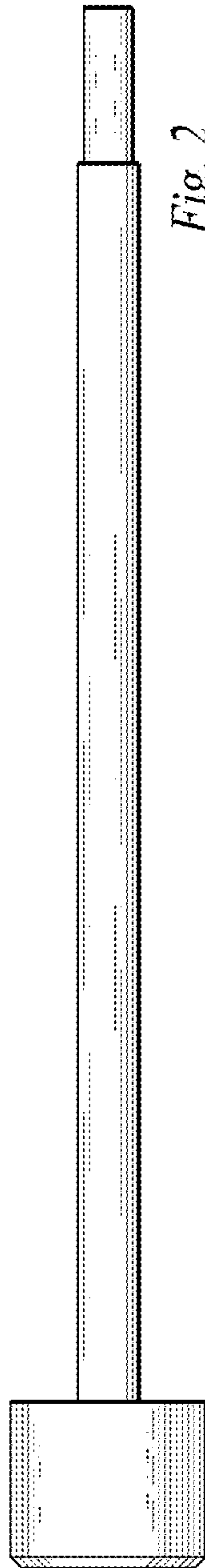


Fig. 2

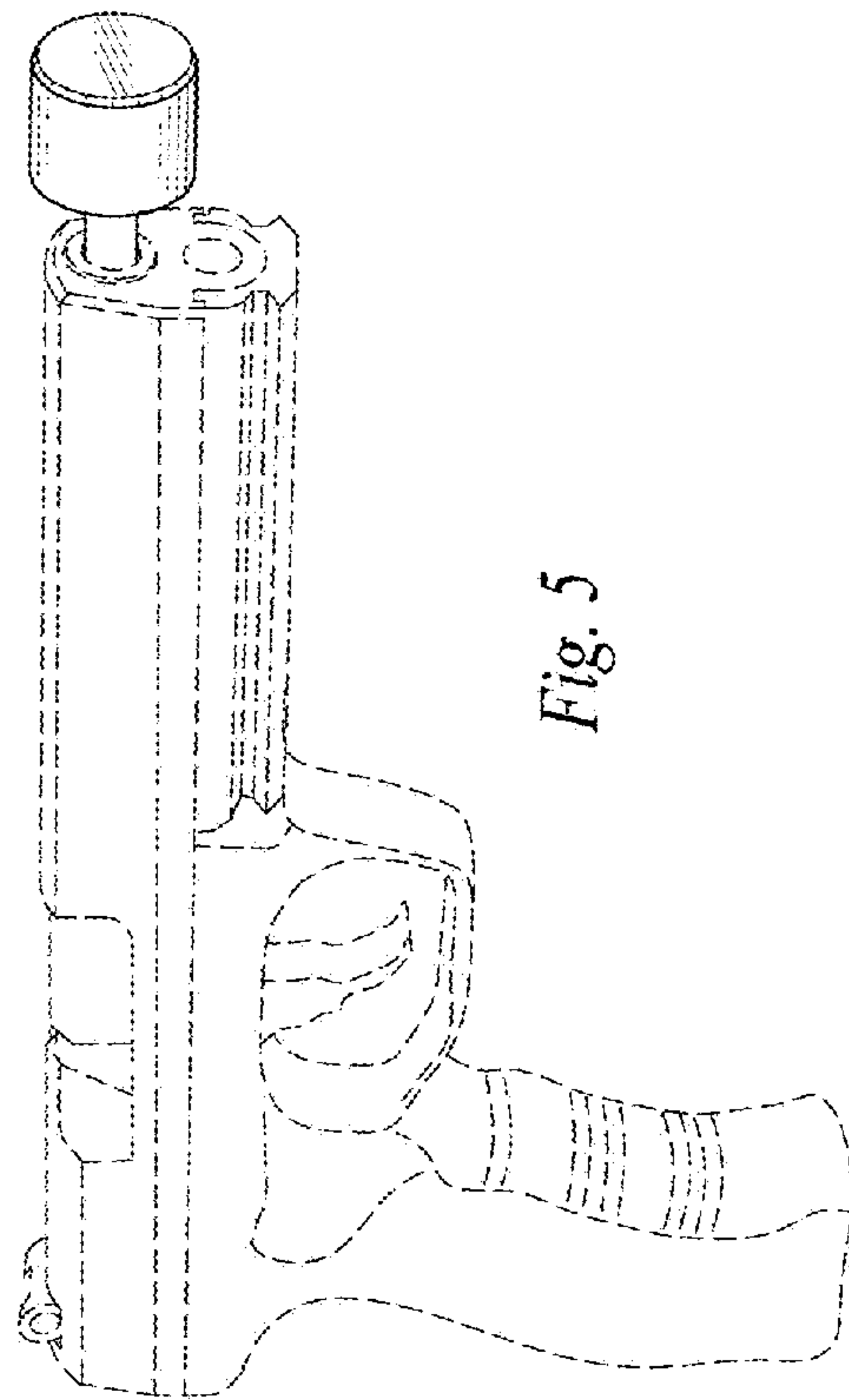


Fig. 5