



US00D711492S

(12) **United States Design Patent**  
**Yan et al.**

(10) **Patent No.:** **US D711,492 S**

(45) **Date of Patent:** **\*\* Aug. 19, 2014**

(54) **SLIM LINE RAIL GUARD**

(71) Applicant: **Leapers, Inc.**, Livonia, MI (US)

(72) Inventors: **Yuedong Yan**, Novi, MI (US); **Tai-Lai Ding**, Northville, MI (US)

(73) Assignee: **Leapers, Inc.**, Livonia, MI (US)

(\*\*) Term: **14 Years**

(21) Appl. No.: **29/448,442**

(22) Filed: **Mar. 12, 2013**

(51) **LOC (10) Cl.** ..... **22-01**

(52) **U.S. Cl.**  
USPC ..... **D22/108**

(58) **Field of Classification Search**  
USPC ..... D22/103, 108; 42/71.01; 89/40.06,  
89/41.19, 37.04, 33.04, 191.01, 200-204;  
124/67, 66, 72, 74; D21/572-575  
See application file for complete search history.

(56) **References Cited**

**U.S. PATENT DOCUMENTS**

1,037,486	A *	9/1912	Johnson	.....	42/71.01
2,674,822	A *	4/1954	Studler	.....	42/71.01
5,103,714	A *	4/1992	LaFrance	.....	89/129.01
5,826,363	A *	10/1998	Olson	.....	42/75.01
6,293,040	B1 *	9/2001	Luth	.....	42/75.01
6,895,708	B2 *	5/2005	Kim et al.	.....	42/72
D607,958	S *	1/2010	Swan	.....	D22/108
D613,810	S *	4/2010	Gulledge	.....	D22/108
D613,811	S *	4/2010	Swan	.....	D22/108

D616,521	S *	5/2010	Starnes	.....	D22/108
D639,376	S *	6/2011	Ding	.....	D22/108
D641,450	S *	7/2011	Ding	.....	D22/108
8,201,353	B1 *	6/2012	Swan	.....	42/71.01
8,230,634	B1 *	7/2012	Davies et al.	.....	42/75.02
8,276,303	B2 *	10/2012	Kapusta et al.	.....	42/71.01
2006/0048424	A1 *	3/2006	Weir	.....	42/69.01
2011/0214327	A1 *	9/2011	Desomma	.....	42/75.02
2012/0117845	A1 *	5/2012	Desomma	.....	42/75.02
2012/0198990	A1 *	8/2012	Brittin	.....	89/191.01
2013/0205636	A1 *	8/2013	Shull	.....	42/72

\* cited by examiner

*Primary Examiner* — Michael A Pratt

(74) *Attorney, Agent, or Firm* — Honigman Miller Schwartz and Cohn LLP

(57) **CLAIM**

The ornamental design for a slim line rail guard, as shown and described.

**DESCRIPTION**

FIG. 1 is a front/right isometric view of the third embodiment of the rail guard of the present invention (the broken line indicia do not form any part of the claimed design).

FIG. 2 is a front elevational view of the right guard of FIG. 1.

FIG. 3 is a rear elevational view of the rail guard of FIG. 1.

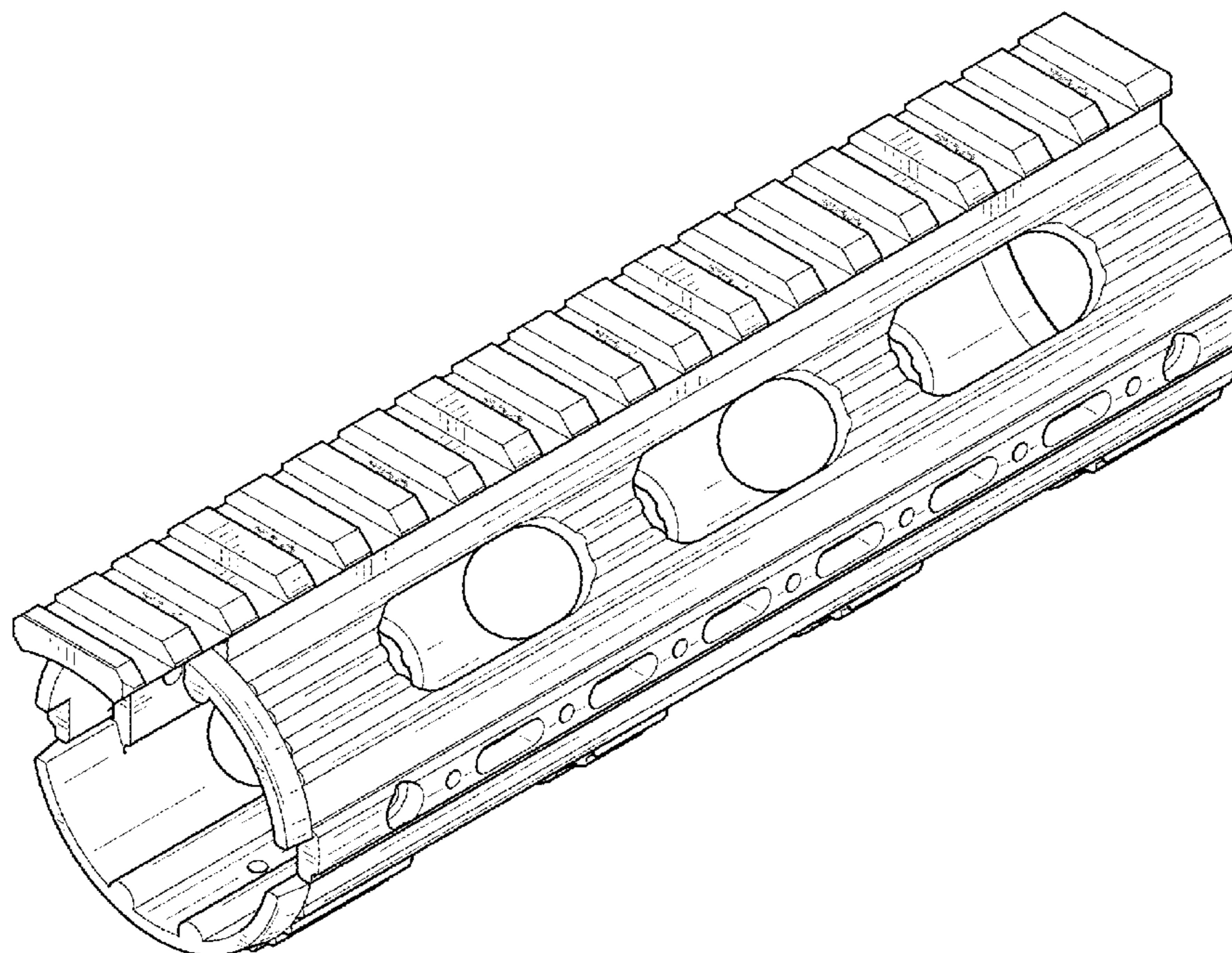
FIG. 4 is a right side elevational view of the rail guard of FIG. 1.

FIG. 5 is a left side elevational view of the rail guard of FIG. 1.

FIG. 6 is a top plan view of the rail guard of FIG. 1 (the broken line indicia form no part of the claimed design); and,

FIG. 7 is a bottom view of the rail guard of FIG. 1.

**1 Claim, 4 Drawing Sheets**



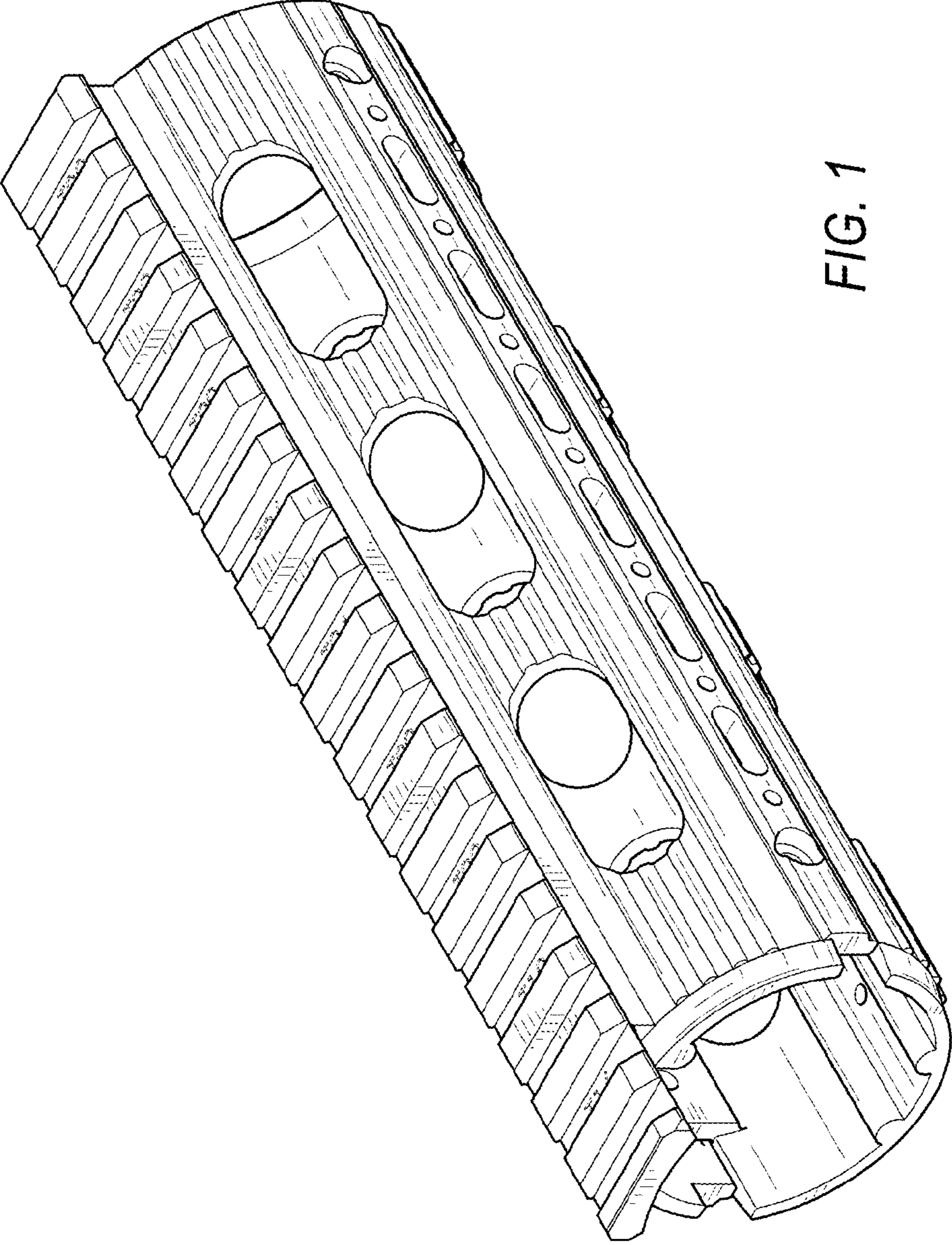


FIG. 1

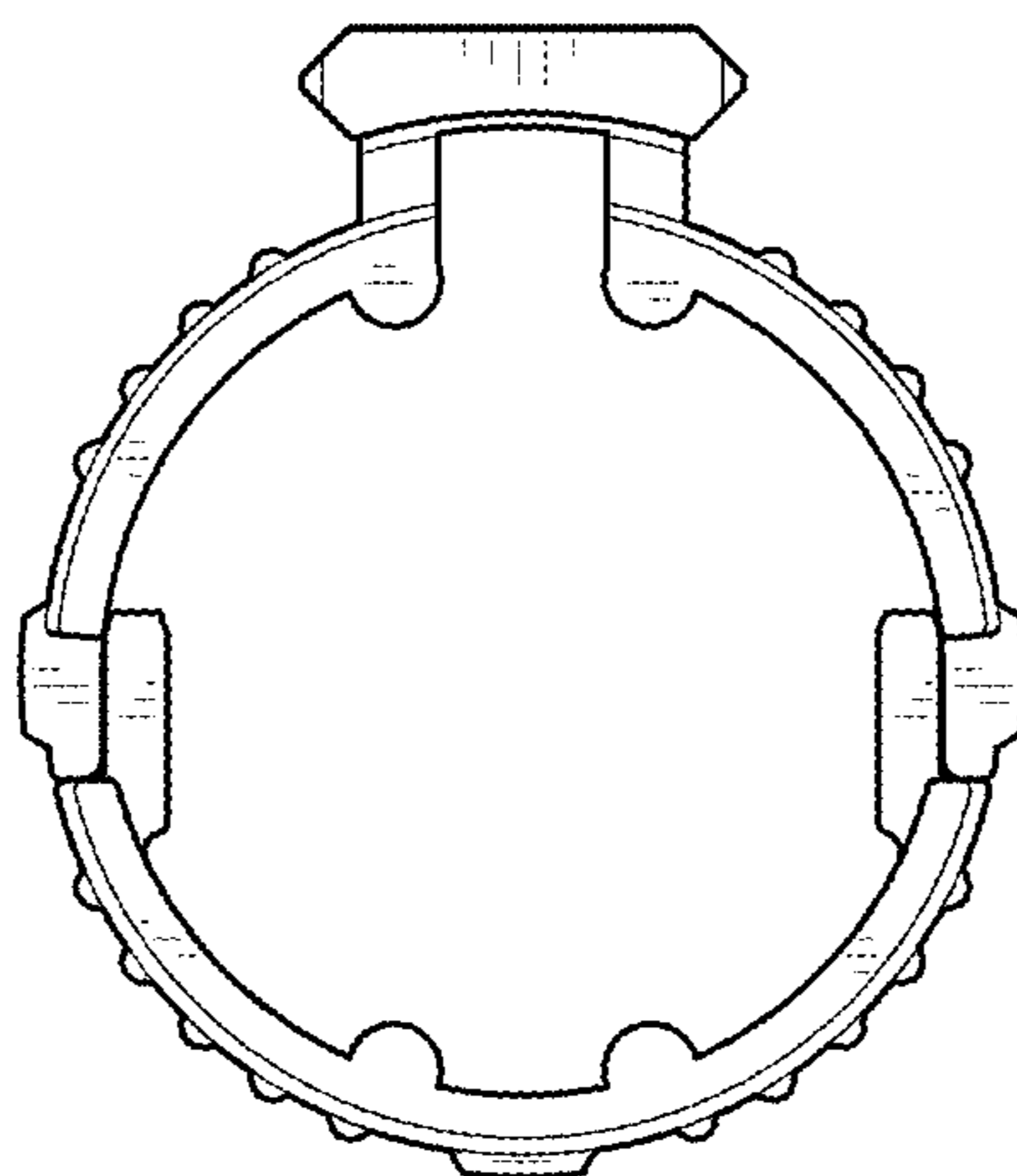


FIG. 2

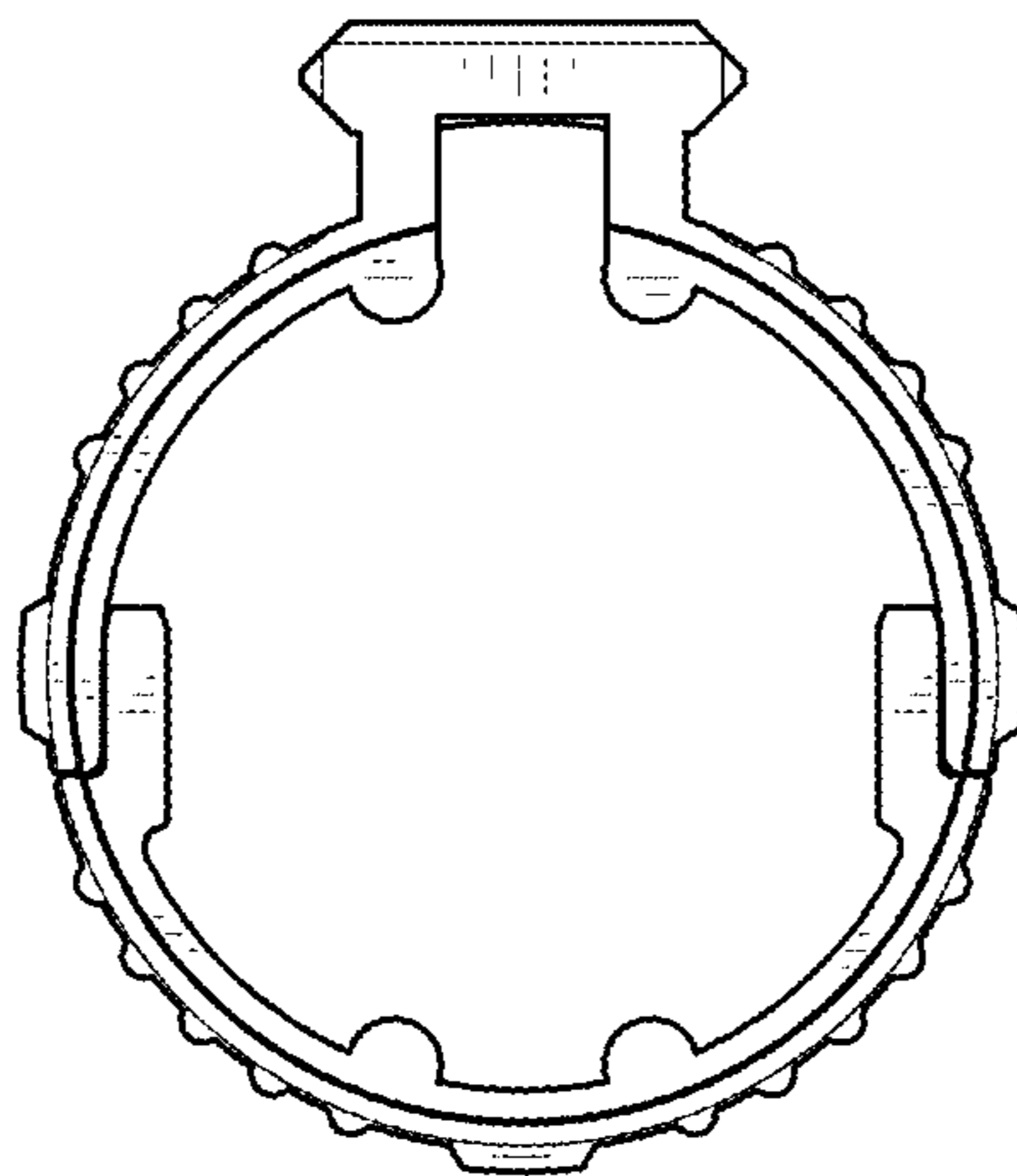


FIG. 3

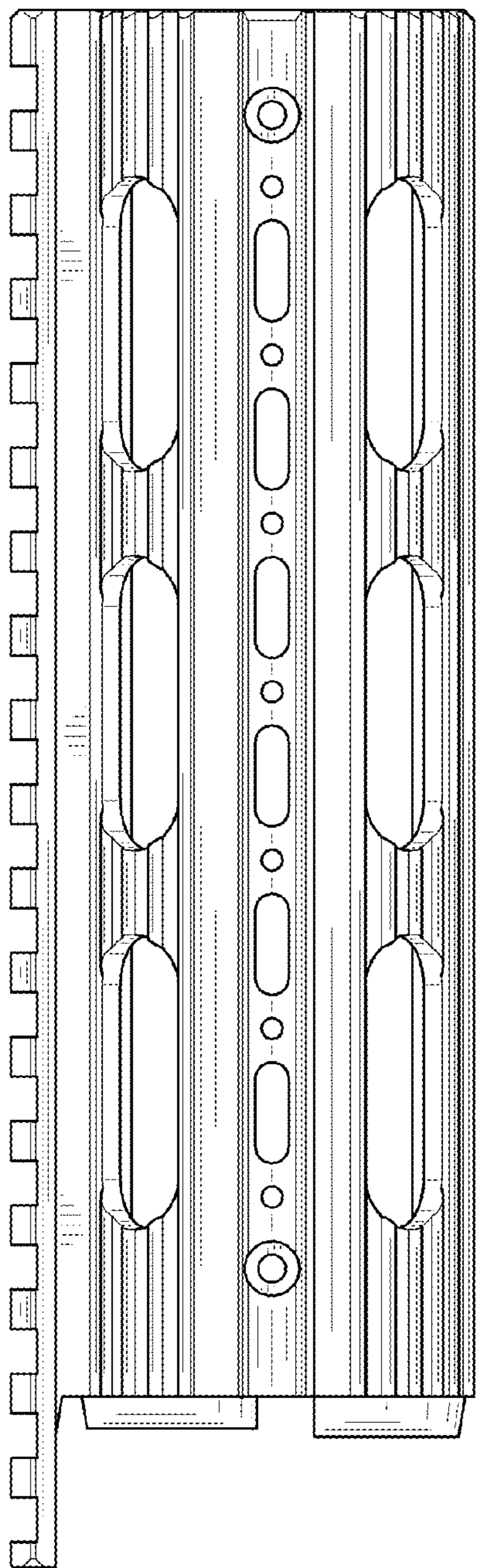


FIG. 4

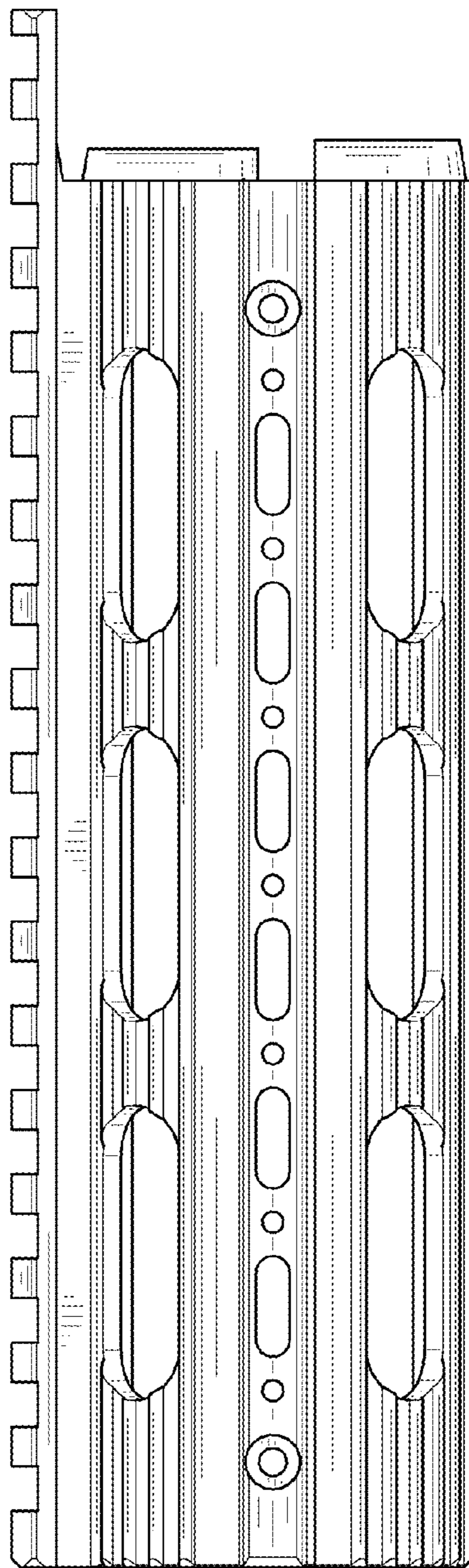


FIG. 5

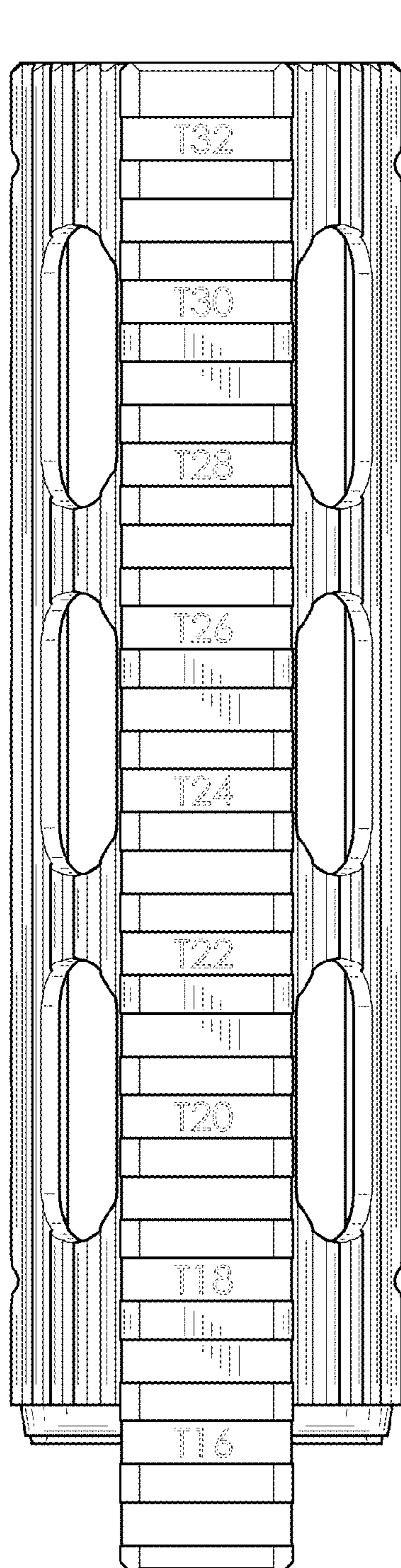


FIG. 6

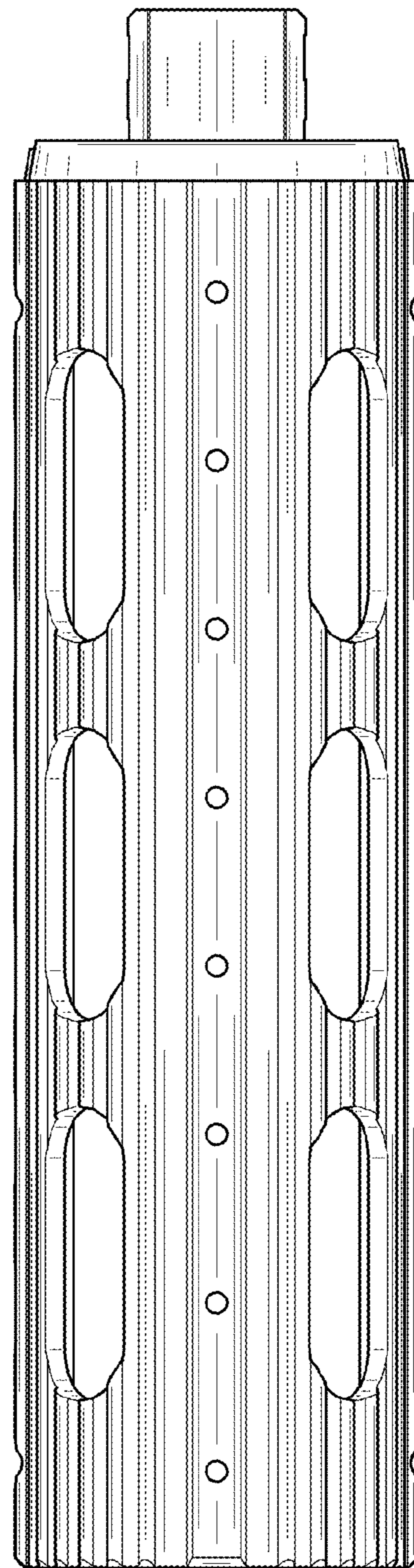


FIG. 7