



US00D711491S

(12) **United States Design Patent**
Nierenberg

(10) **Patent No.:** **US D711,491 S**

(45) **Date of Patent:** **** Aug. 19, 2014**

(54) **RIFLE BRAKE**

(71) Applicant: **Robert Chester Nierenberg**, Honolulu, HI (US)

(72) Inventor: **Robert Chester Nierenberg**, Honolulu, HI (US)

(**) Term: **14 Years**

(21) Appl. No.: **29/444,918**

(22) Filed: **Feb. 5, 2013**

(51) **LOC (10) Cl.** **22-01**

(52) **U.S. Cl.**
USPC **D22/108**

(58) **Field of Classification Search**
USPC D22/103, 108; 42/1.06, 107,
42/76.02-76.1; 89/14.1-14.8, 14.05, 177;
181/223; D21/572-575
See application file for complete search history.

(56) **References Cited**

U.S. PATENT DOCUMENTS

2,124,075 A * 7/1938 Moore 89/14.1
D158,794 S * 5/1950 Powell D22/108

4,716,809 A * 1/1988 A'Costa 89/14.3
5,433,133 A * 7/1995 La France 89/14.2
5,596,161 A * 1/1997 Sommers 89/14.2
6,752,062 B2 * 6/2004 Vais 89/14.3
6,769,346 B2 * 8/2004 Rosenthal 89/14.3
D610,221 S * 2/2010 Brittingham D22/108
D666,687 S * 9/2012 Nierenberg D22/108
2010/0282056 A1 * 11/2010 Hung 89/14.2
2011/0271575 A1 * 11/2011 Overbeek Bloem et al. 42/90

* cited by examiner

Primary Examiner — Michael A Pratt

(74) *Attorney, Agent, or Firm* — Forrest Law Office, P.C.

(57) **CLAIM**

The ornamental design for a rifle brake, as shown.

DESCRIPTION

FIG. 1 is an upper perspective view of a rifle brake according to the present invention.

FIG. 2 is a right side view of the rifle brake in FIG. 1.

FIG. 3 is a top view of the rifle brake in FIG. 1.

FIG. 4 is a left side view of the rifle brake in FIG. 1.

FIG. 5 is a bottom view of the rifle brake in FIG. 1.

FIG. 6 is a front view of the rifle brake in FIG. 1; and,

FIG. 7 is a back view of the rifle brake in FIG. 1.

1 Claim, 4 Drawing Sheets

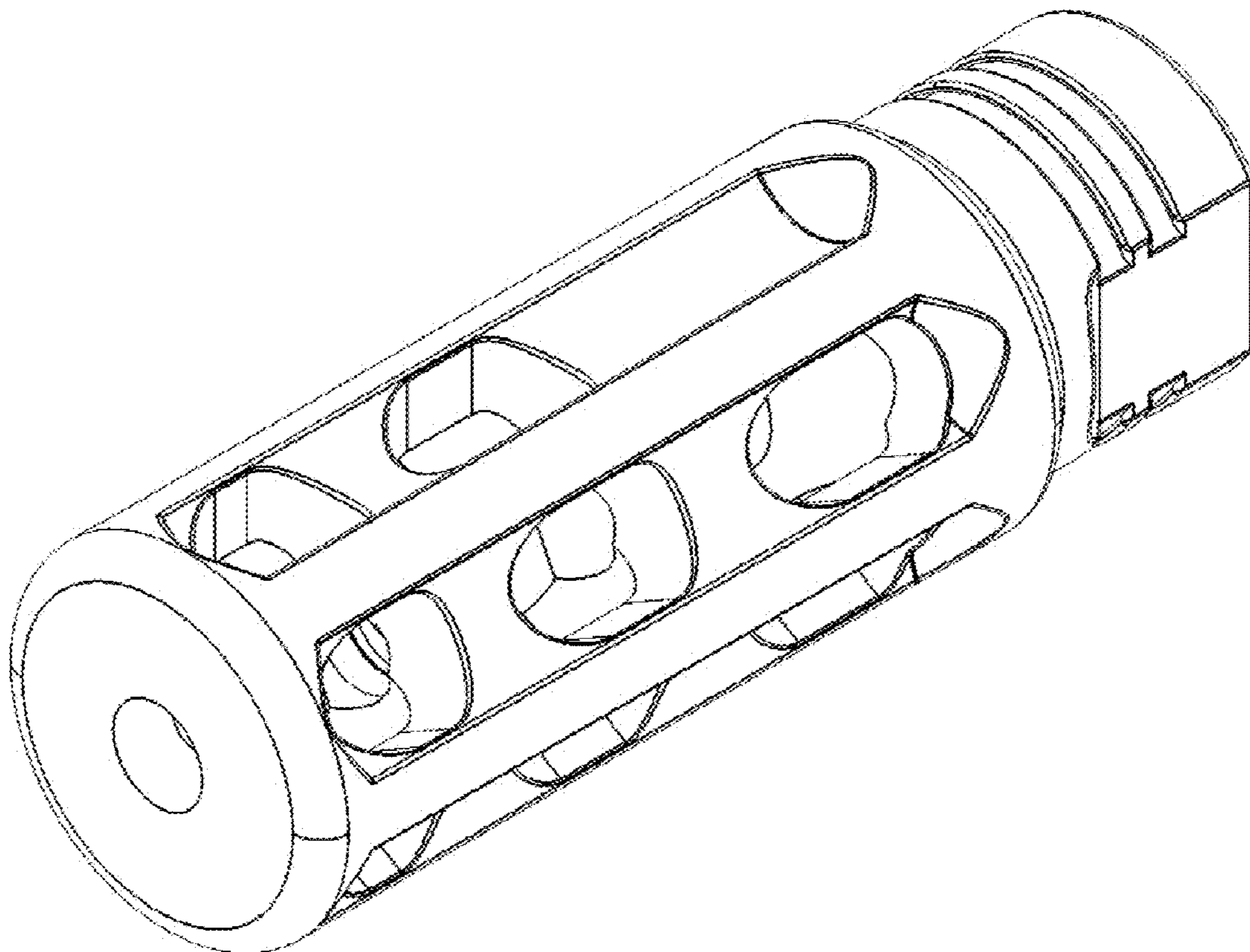


FIG. 1

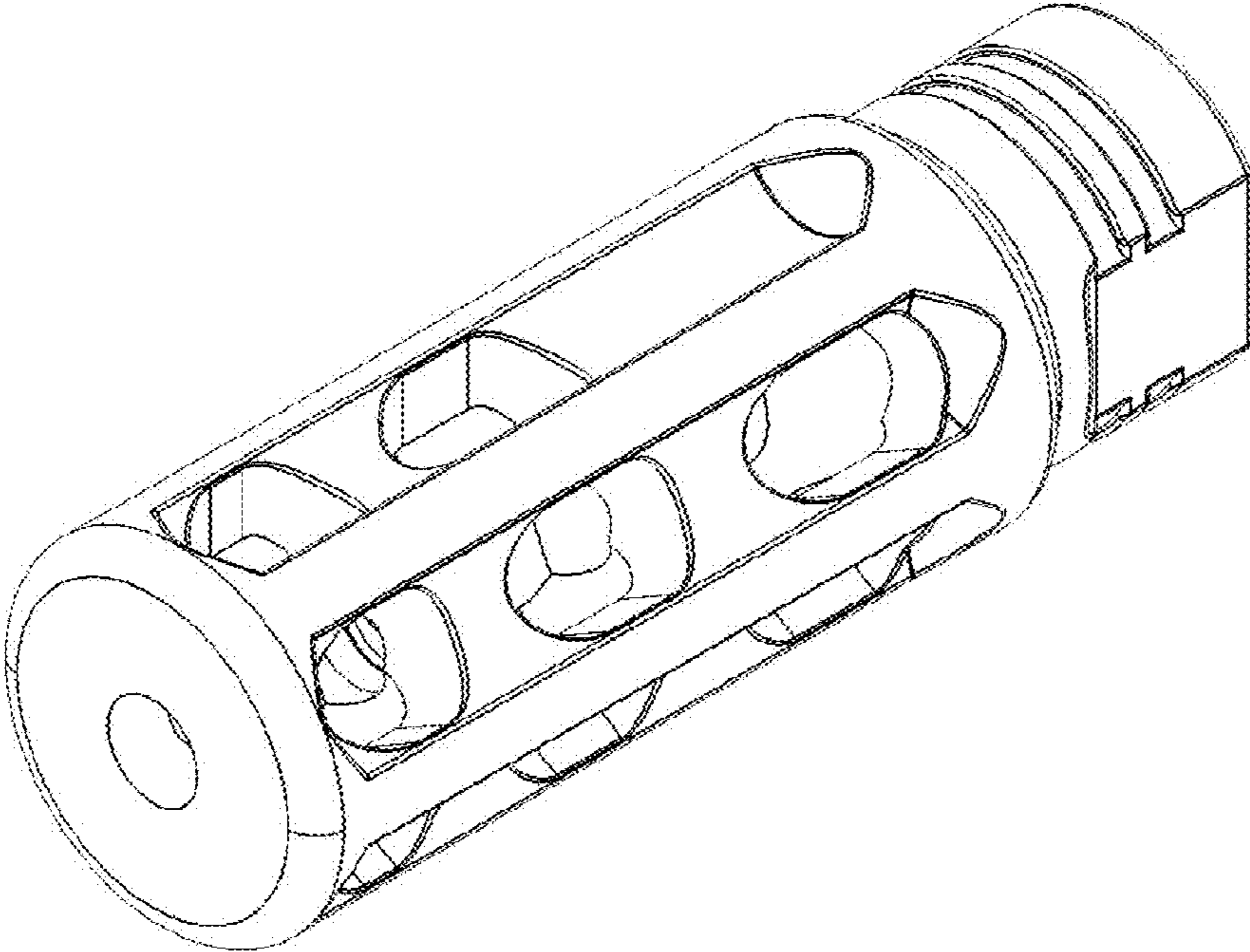


FIG. 2

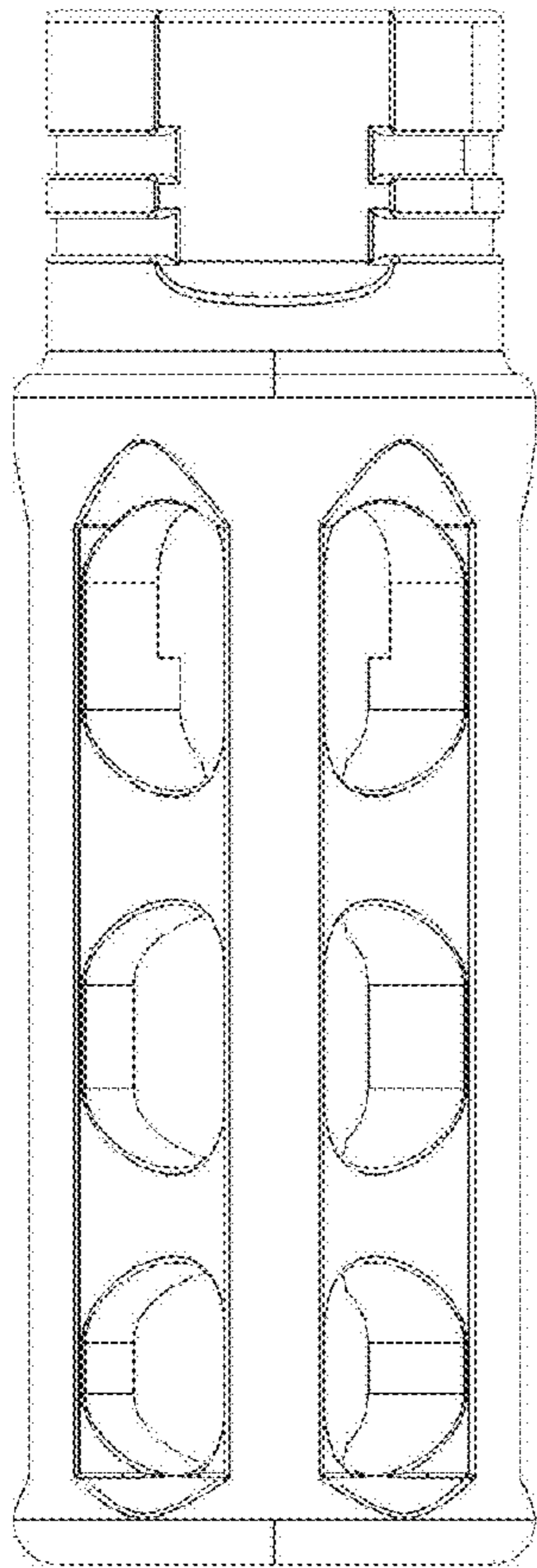


FIG. 3

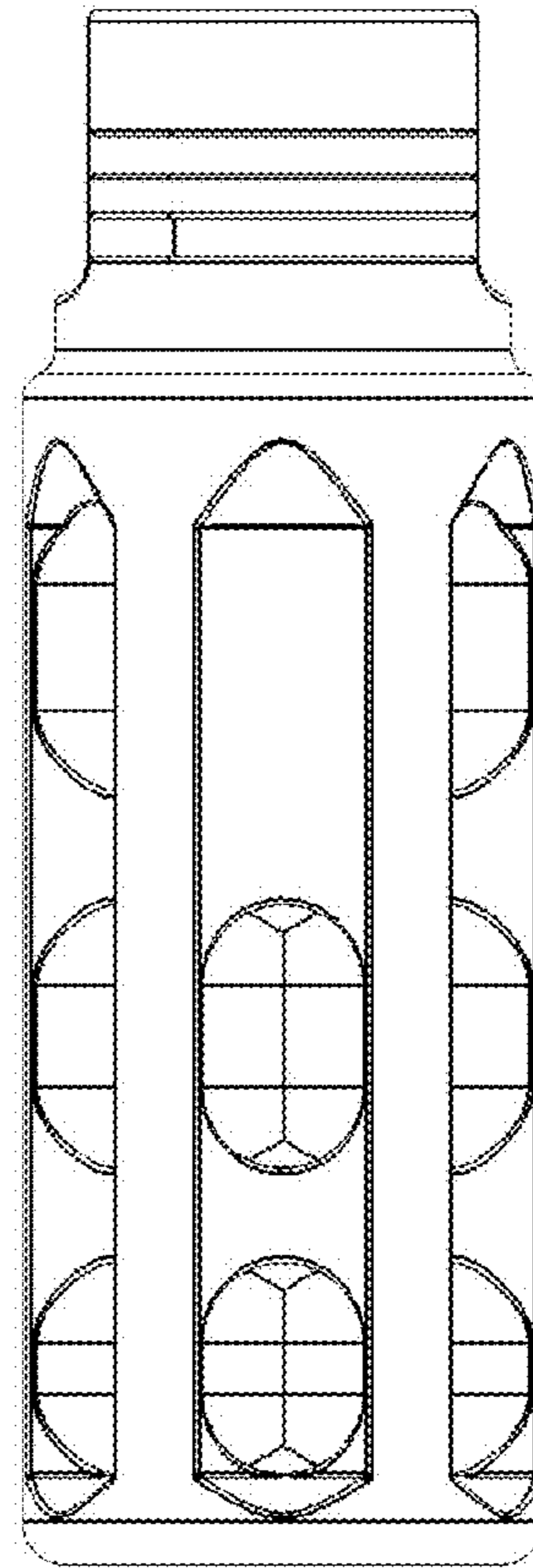


FIG. 4

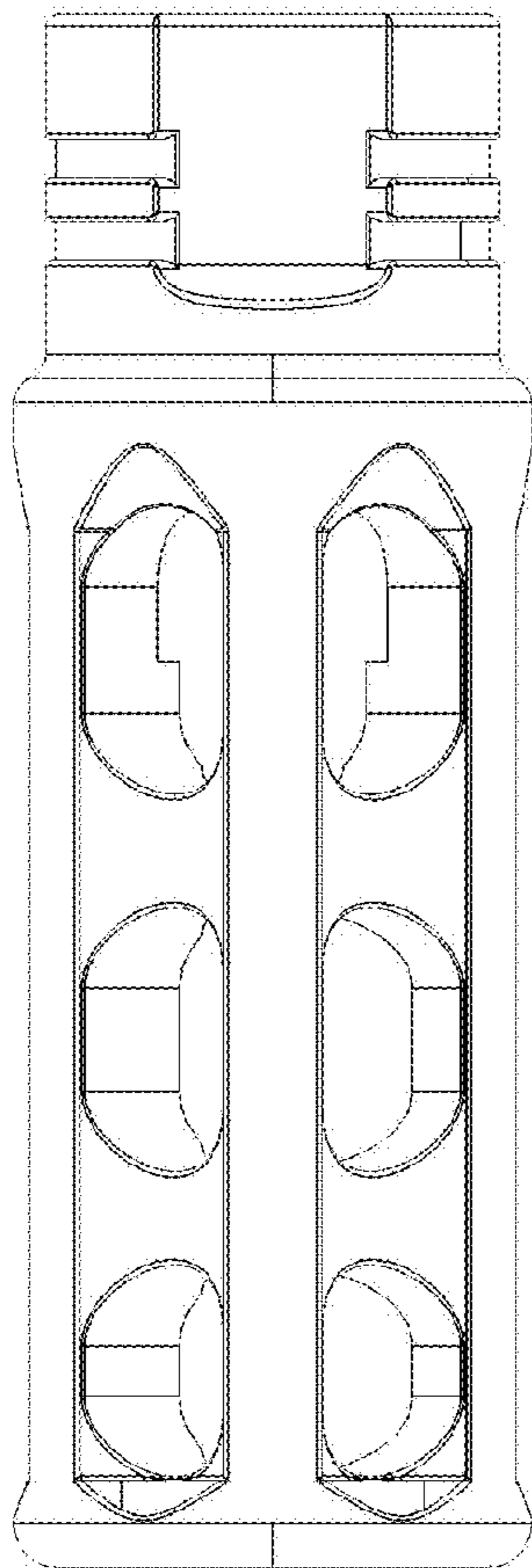


FIG. 5

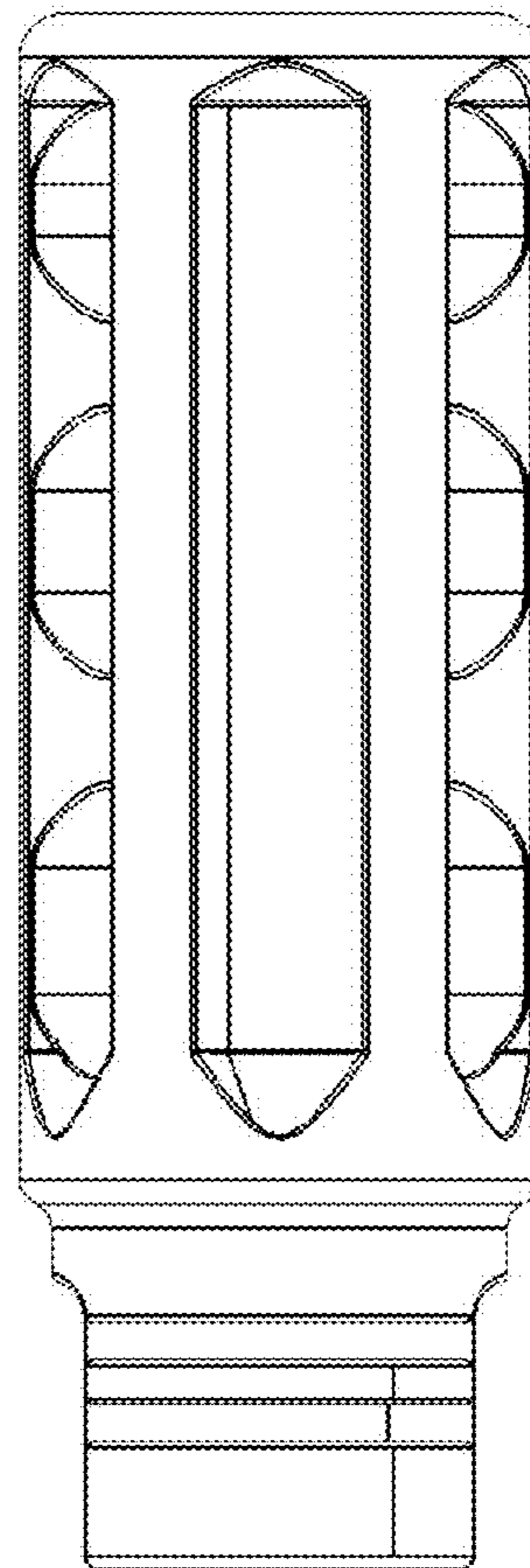


FIG. 6

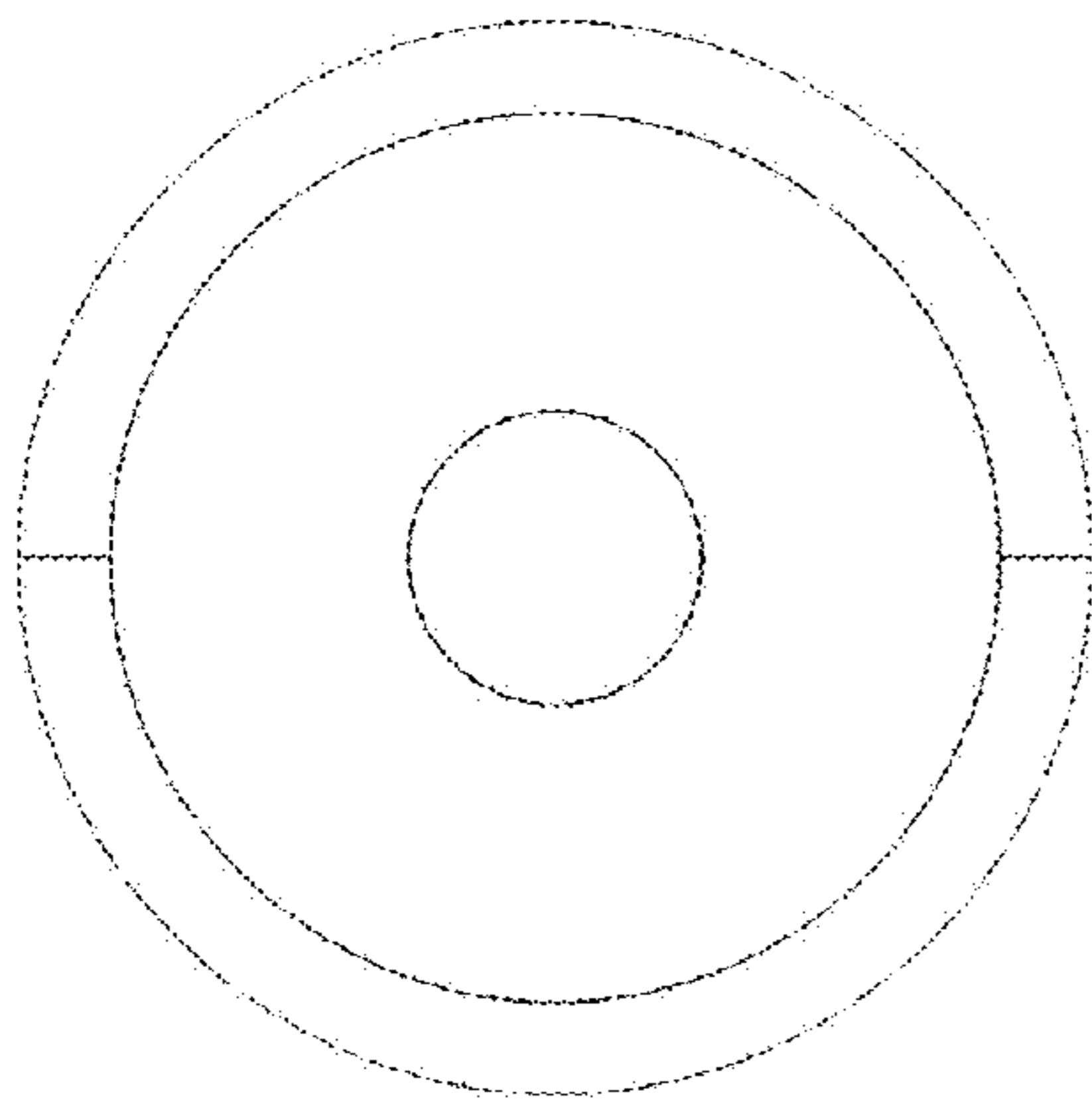


FIG. 7

