



US00D711490S

(12) **United States Design Patent**
Hahin

(10) **Patent No.:** **US D711,490 S**

(45) **Date of Patent:** **** Aug. 19, 2014**

(54) **PRIMER CATCHER**

(76) Inventor: **Robert G. Hahin**, Berkeley, CA (US)

(**) Term: **14 Years**

(21) Appl. No.: **29/420,915**

(22) Filed: **May 15, 2012**

(51) **LOC (10) Cl.** **22-01**

(52) **U.S. Cl.**
USPC **D22/108**

(58) **Field of Classification Search**
USPC D22/108, 199; D7/700; D15/150-152;
D23/200; D24/121-123; 141/297-300,
141/331-345

See application file for complete search history.

(56) **References Cited**

U.S. PATENT DOCUMENTS

D230,629 S *	3/1974	Nicodemus	D7/414
D309,966 S *	8/1990	Bishop	D34/5
D340,467 S *	10/1993	Pollak et al.	D15/150
D340,731 S *	10/1993	Pollak et al.	D15/150
D404,979 S *	2/1999	Harman et al.	D7/700
D415,662 S *	10/1999	Schneider	D7/700
D496,216 S *	9/2004	Morgan	D7/368
D632,144 S *	2/2011	Weisenbach	D7/700

D687,080 S *	7/2013	Carroll	D15/150
D703,010 S *	4/2014	Meyer	D7/700
D704,384 S *	5/2014	Worsley et al.	D30/121

* cited by examiner

Primary Examiner — Michael A Pratt

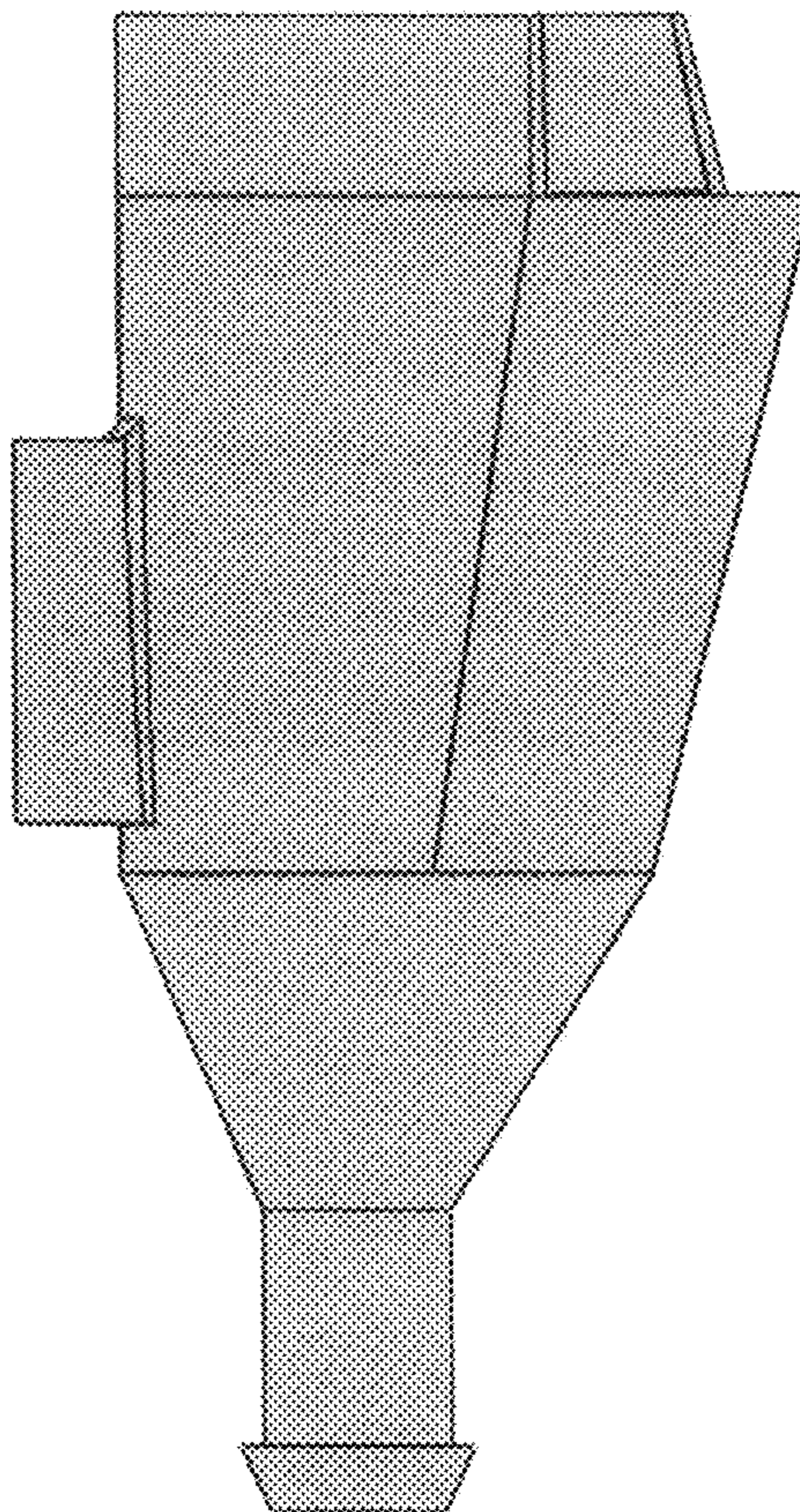
(57) **CLAIM**

The ornamental design for a primer catcher, as shown.

DESCRIPTION

FIGS. 1-2 are side views of a primer catcher according to the present invention;
 FIG. 3 is a front view of a primer catcher according to the present invention;
 FIG. 4 is an elevated perspective view of a primer catcher according to the present invention;
 FIG. 5 is a lower perspective view of a primer catcher according to the present invention;
 FIGS. 6-7 are perspective views of a primer catcher according to the present invention;
 FIG. 8 is a top view of a primer catcher according to the present invention; and,
 FIG. 9 is a bottom view of a primer catcher according to the present invention.

1 Claim, 9 Drawing Sheets



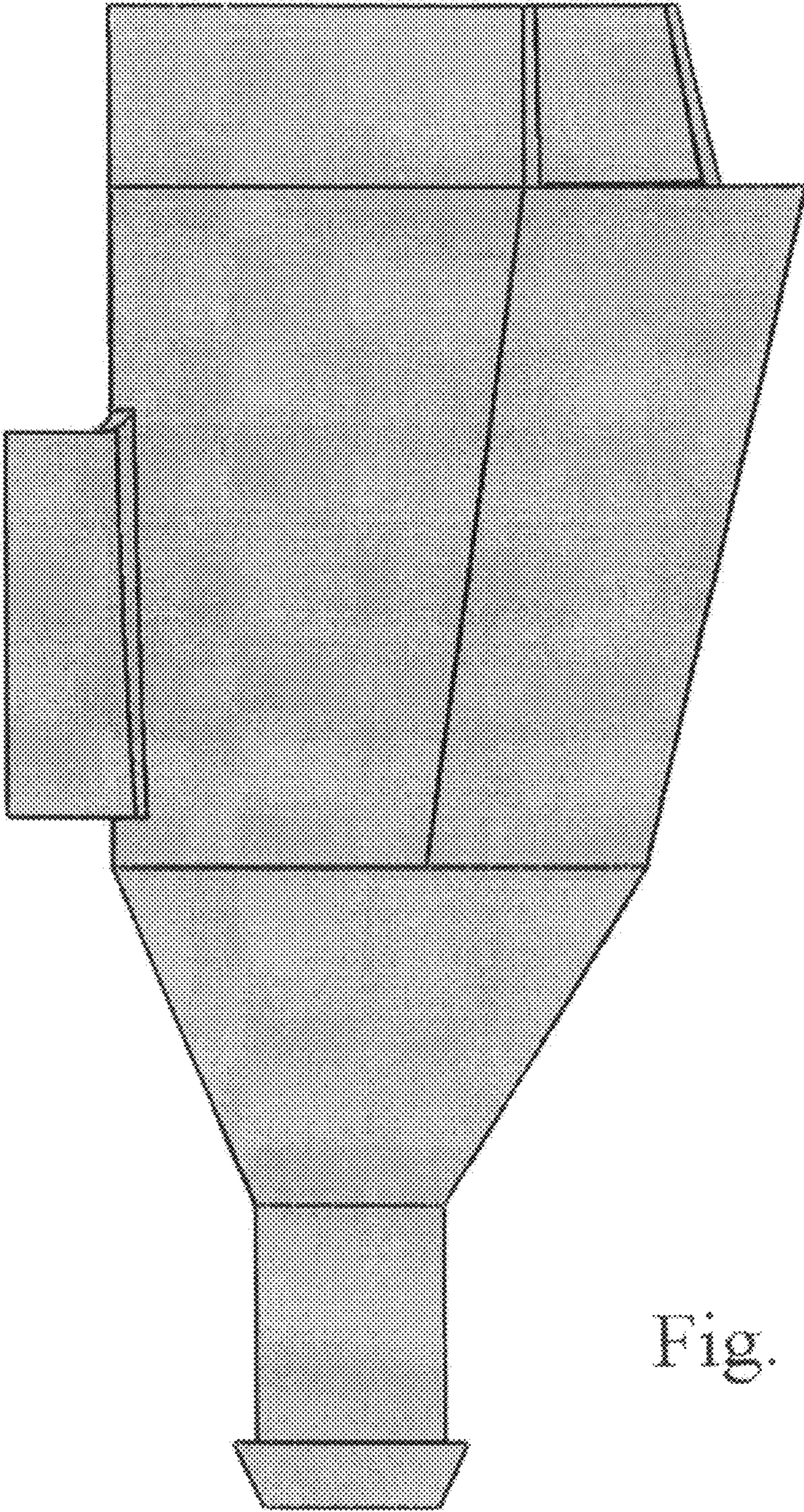


Fig. 1

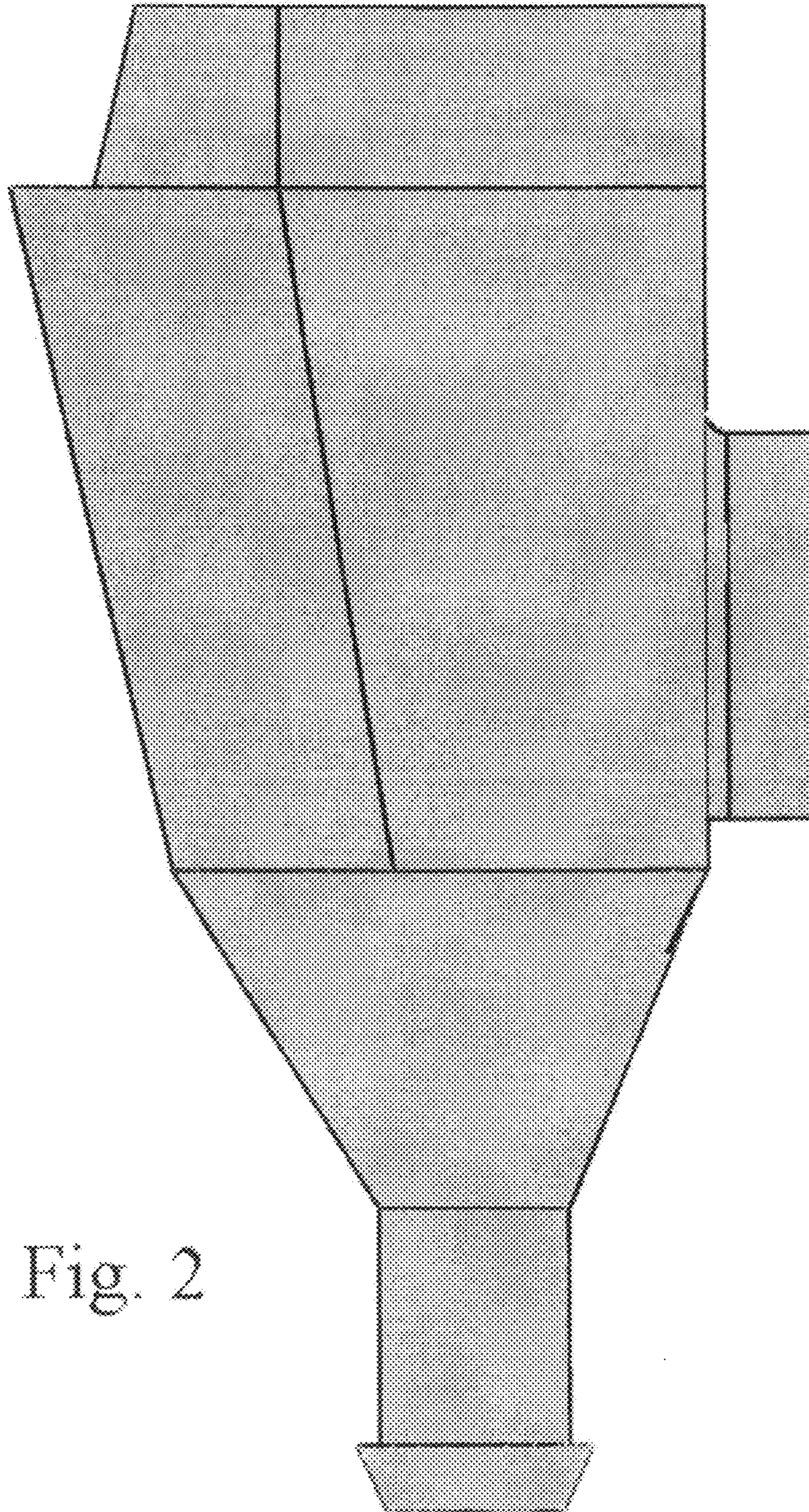


Fig. 2

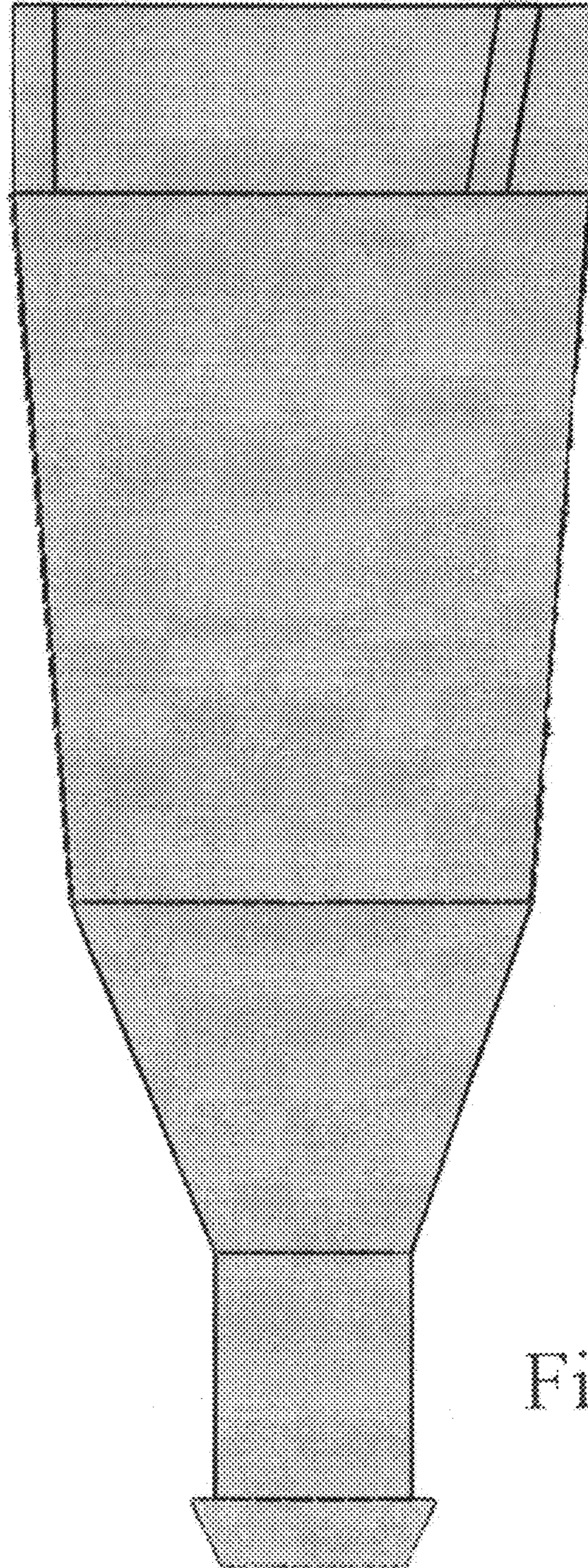


Fig. 3

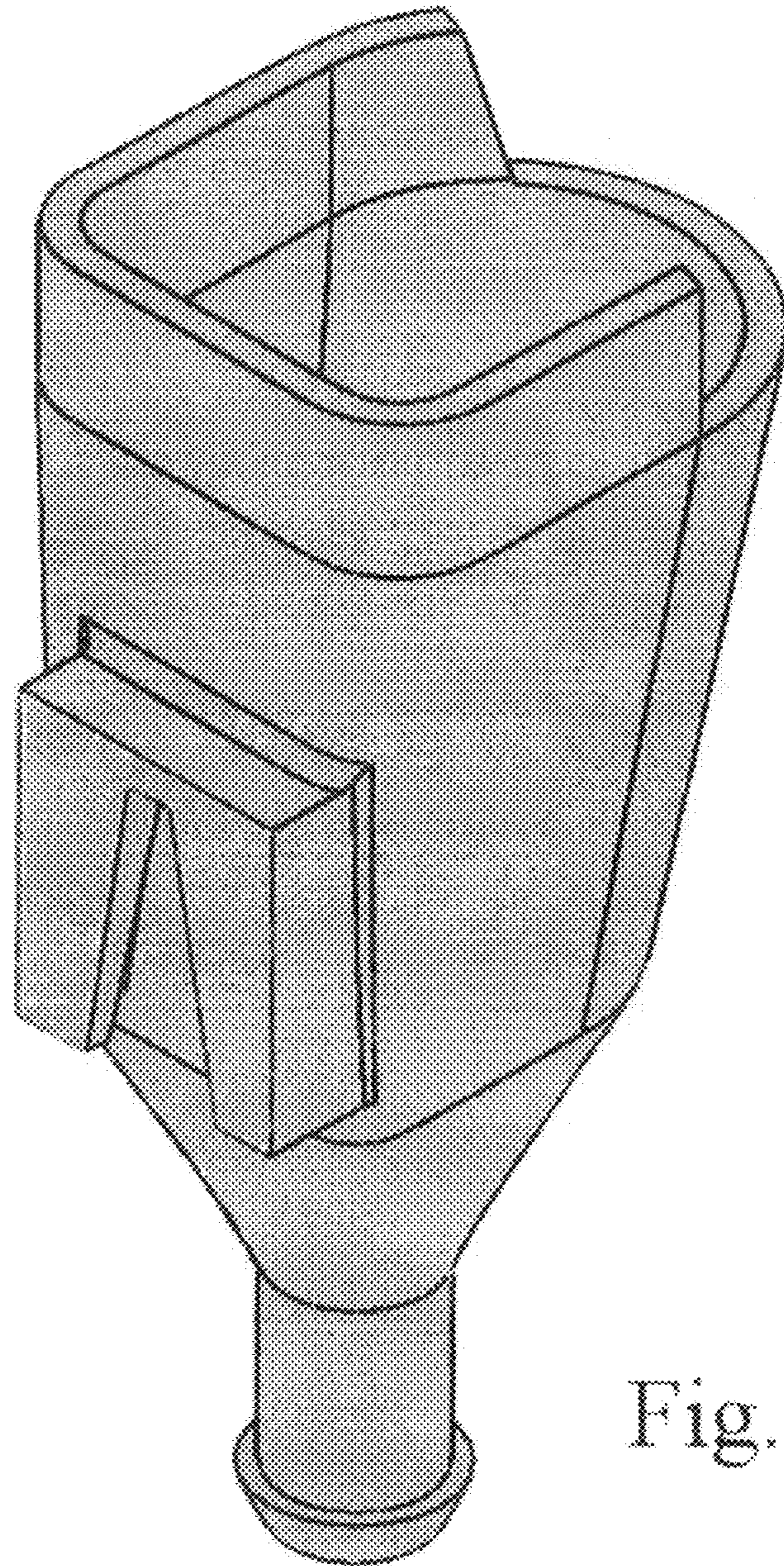


Fig. 4

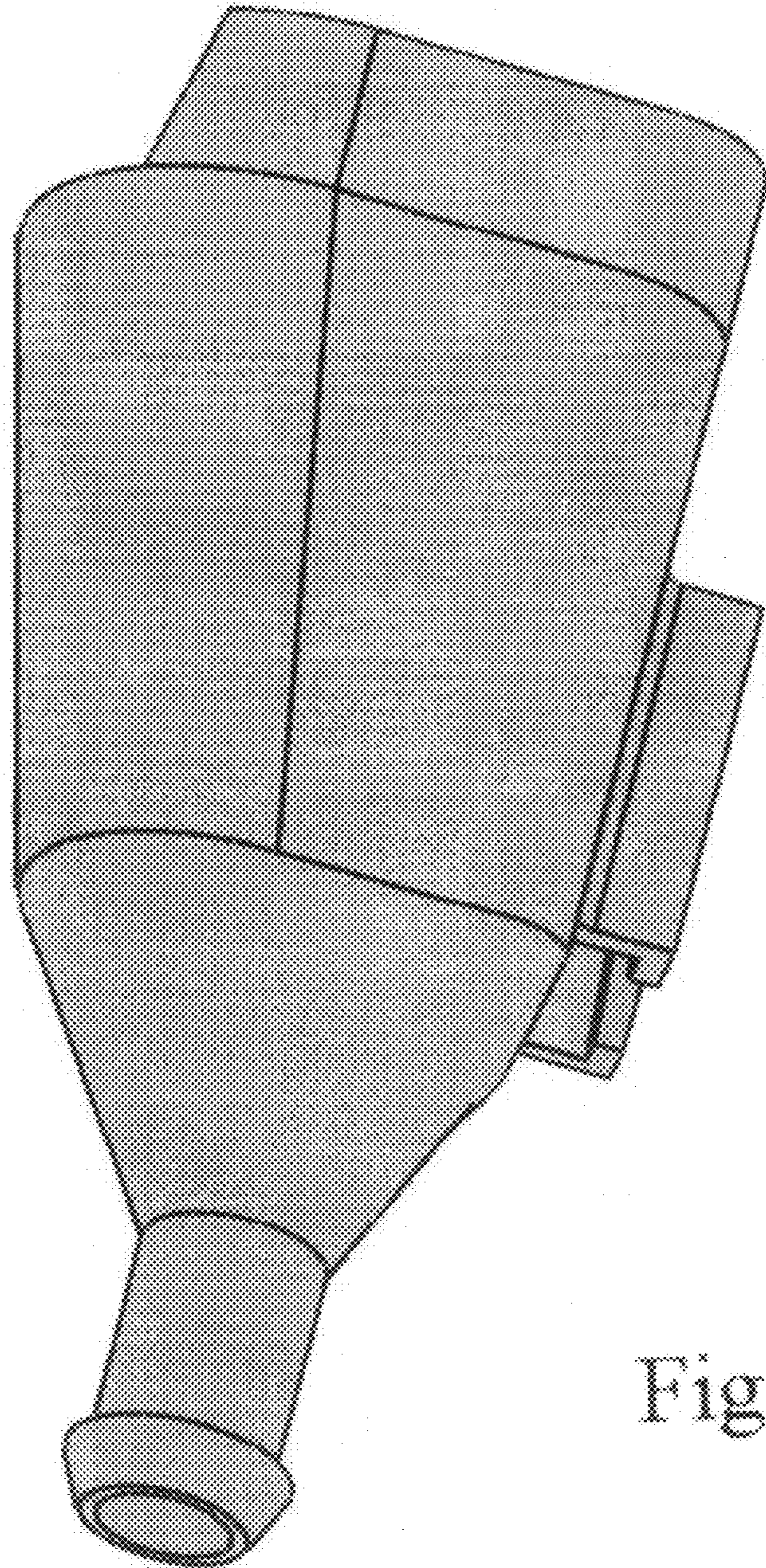


Fig. 5

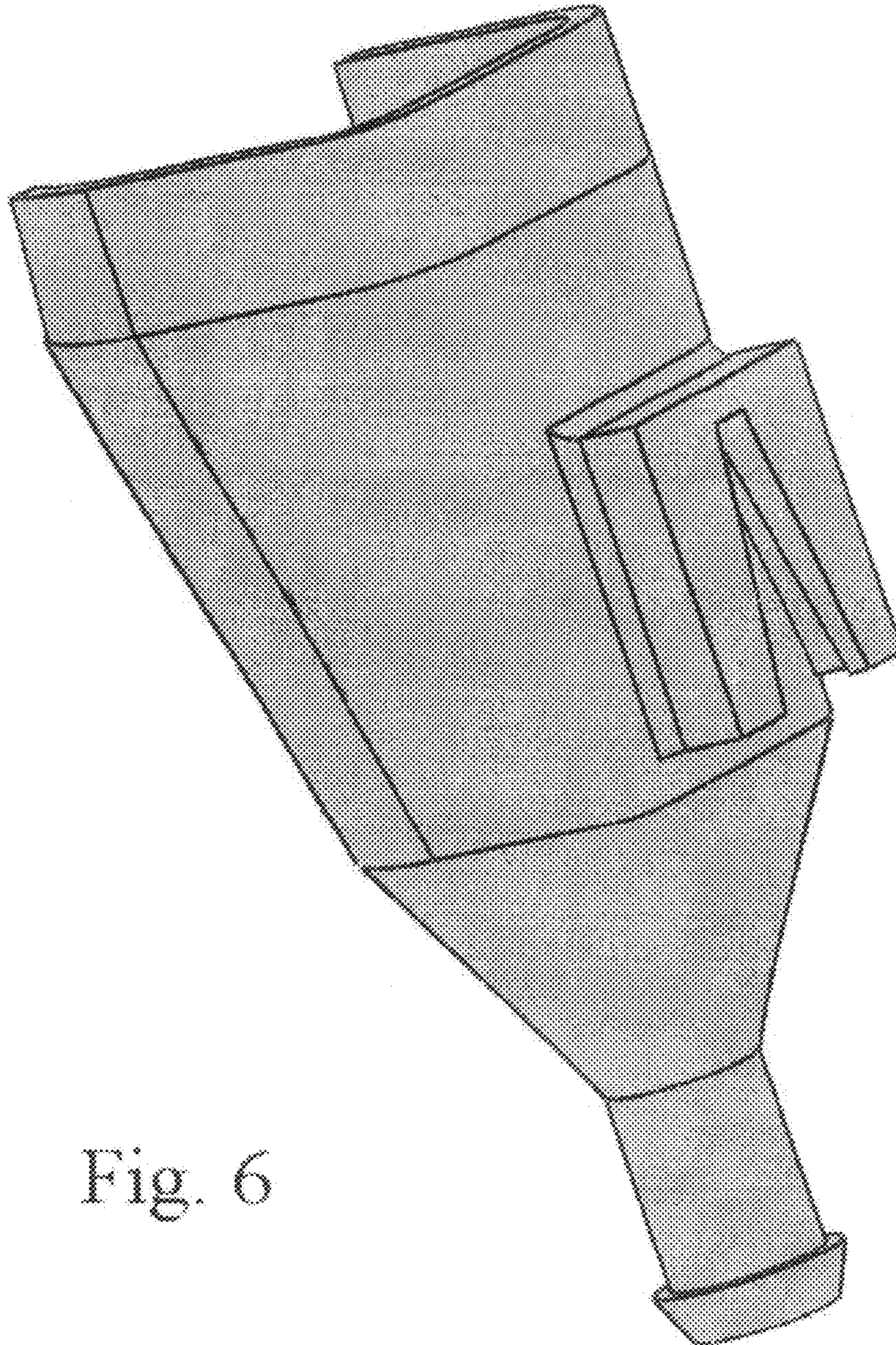


Fig. 6

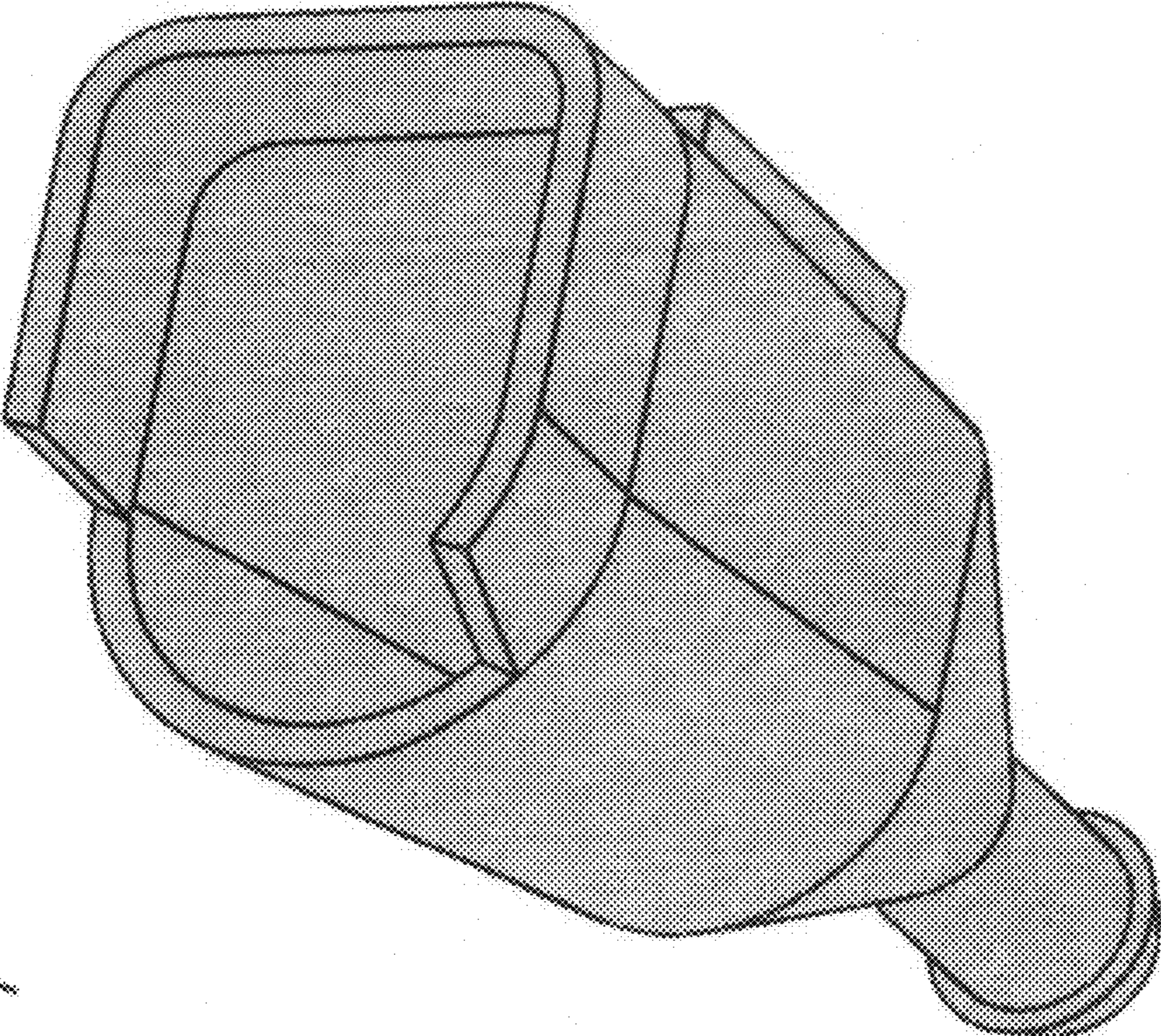


Fig. 7

Fig. 8

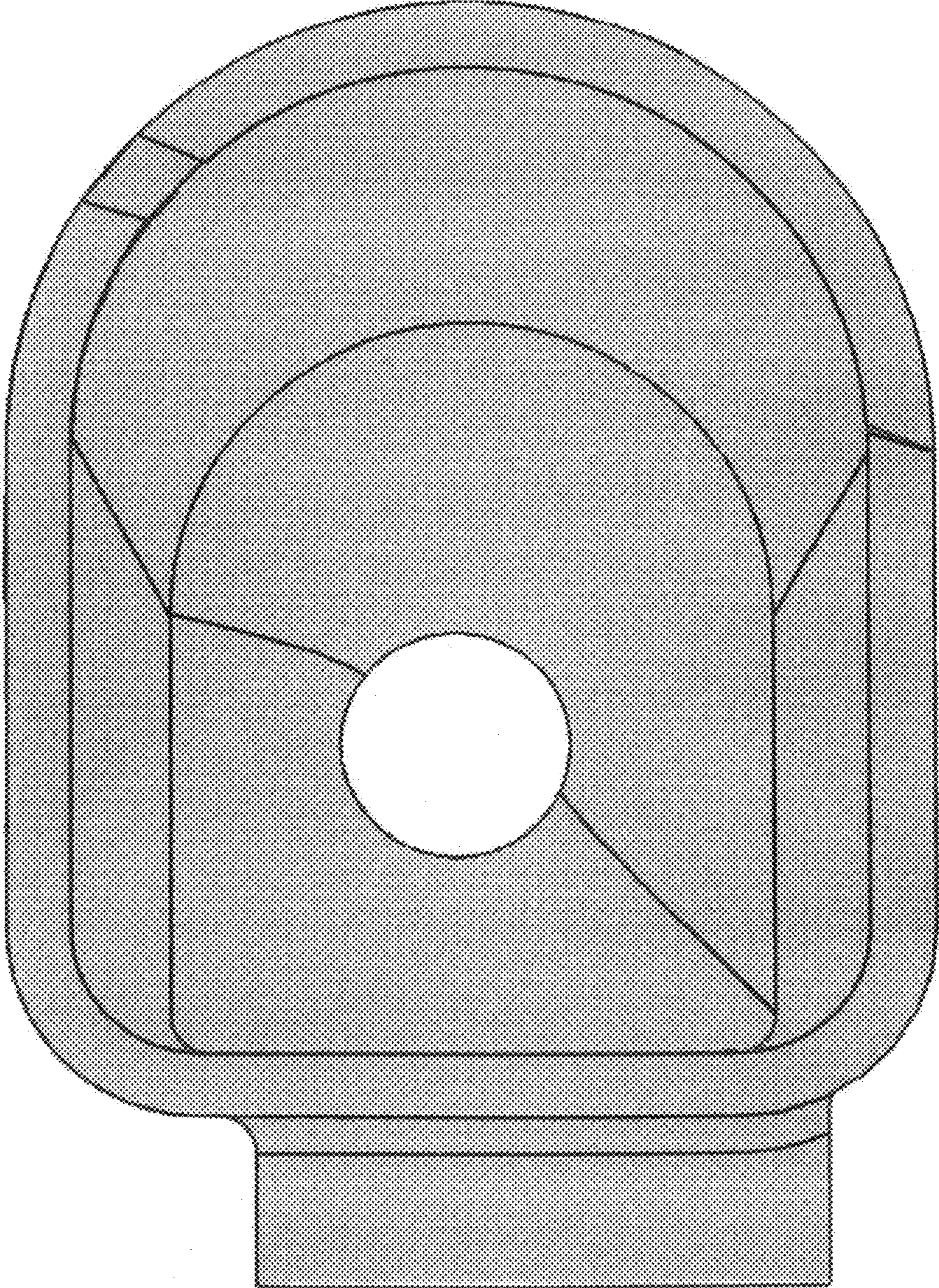


Fig. 9

