



US00D711487S

(12) **United States Design Patent**
Talbot

(10) **Patent No.:** **US D711,487 S**

(45) **Date of Patent:** **** Aug. 19, 2014**

(54) **DIVOT GUIDE**

(71) Applicant: **Matthew R. Talbot**, Marlborough, CT
(US)

(72) Inventor: **Matthew R. Talbot**, Marlborough, CT
(US)

(**) Term: **14 Years**

(21) Appl. No.: **29/443,202**

(22) Filed: **Jan. 14, 2013**

(51) **LOC (10) Cl.** **21-02**

(52) **U.S. Cl.**
USPC **D21/791; D21/790**

(58) **Field of Classification Search**
CPC A63B 69/3661; A63B 69/3617
USPC D21/789-791; 473/278, 257
See application file for complete search history.

(56) **References Cited**

U.S. PATENT DOCUMENTS

D175,419 S *	8/1955	Kent	D21/792
D353,433 S *	12/1994	Erdoes et al.	D21/792
D385,007 S *	10/1997	Perrin	D21/792
D402,347 S *	12/1998	Murphy	D21/792
D406,298 S *	3/1999	Murphy	D21/792

D407,458 S *	3/1999	Soonlan	D21/792
6,155,931 A *	12/2000	Perrine	473/278
6,746,340 B1 *	6/2004	Dover	473/278
6,913,544 B2 *	7/2005	Tiffin	473/278
D508,725 S *	8/2005	Park	D21/792
D508,971 S *	8/2005	Park	D21/792
D534,233 S *	12/2006	Bullock	D21/792
D566,218 S *	4/2008	Puterbaugh	D21/792
D691,687 S *	10/2013	Leonard	D21/791
2006/0128493 A1 *	6/2006	Snopkowski	473/278

* cited by examiner

Primary Examiner — Mitchell Siegel

(74) *Attorney, Agent, or Firm* — Don MacDonald; Coleman & MacDonald Law Office

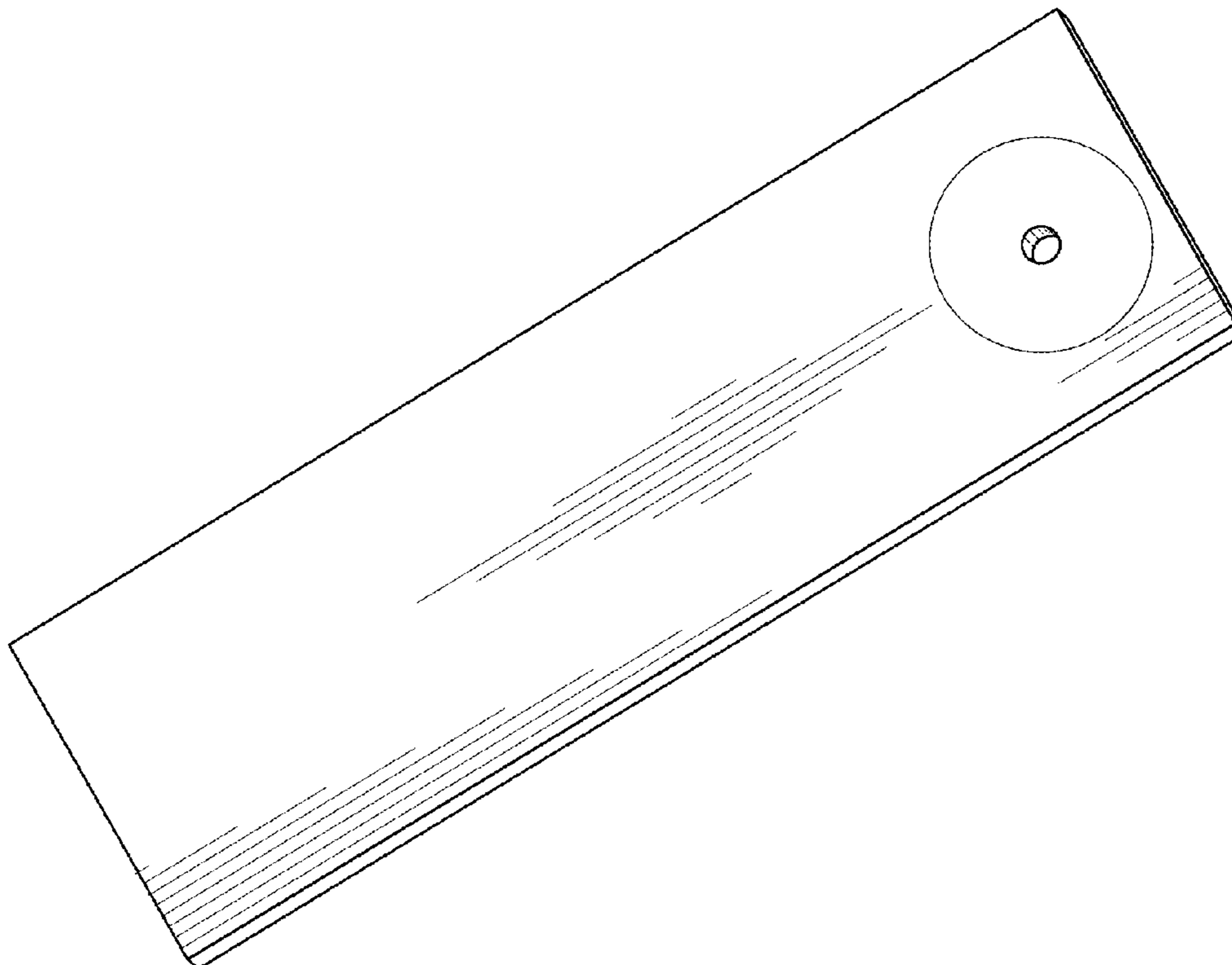
(57) **CLAIM**

The ornamental design of a divot guide, as shown and described.

DESCRIPTION

FIG. 1 is a perspective view of a divot guide according to my new design;
FIG. 2 is a front view of the divot guide of FIG. 1;
FIG. 3 is a rear view of the divot guide of FIG. 1;
FIG. 4 is a right side view of the divot guide of FIG. 1;
FIG. 5 is a left side view of the divot guide of FIG. 1;
FIG. 6 is a top view of the divot guide of FIG. 1; and,
FIG. 7 is a bottom view of the divot guide of FIG. 1.

1 Claim, 3 Drawing Sheets



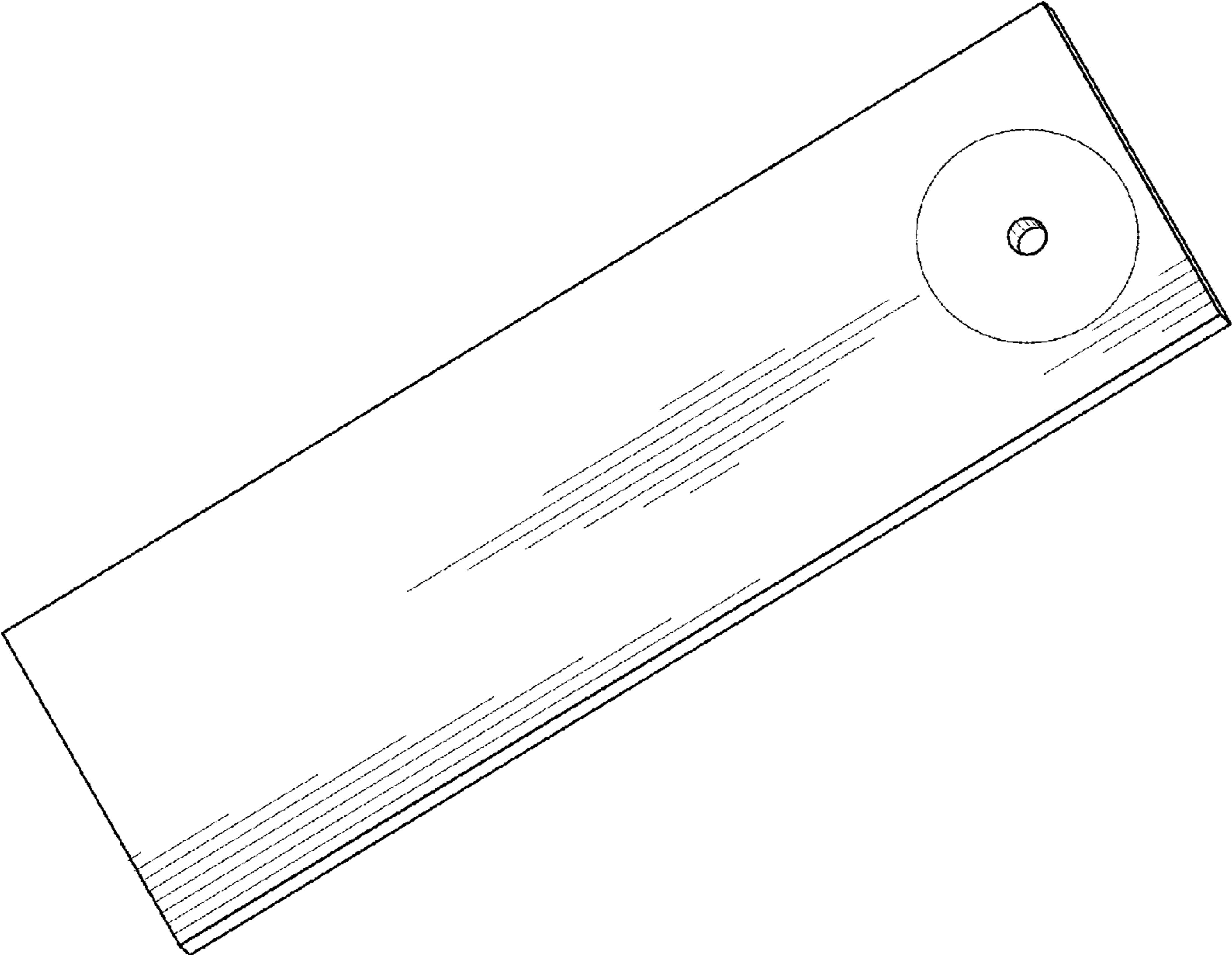


FIG. 1



FIG. 2

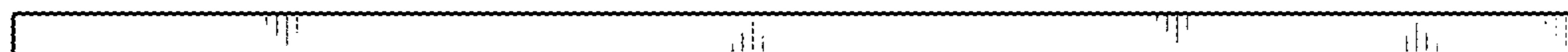


FIG. 3



FIG. 4

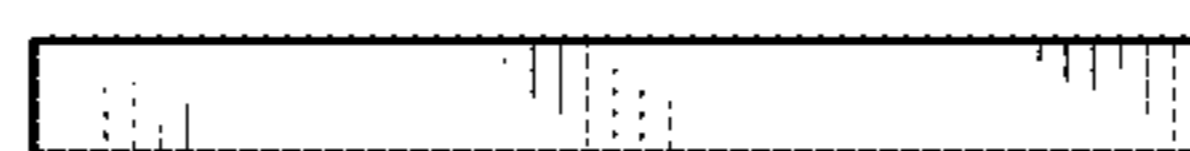


FIG. 5

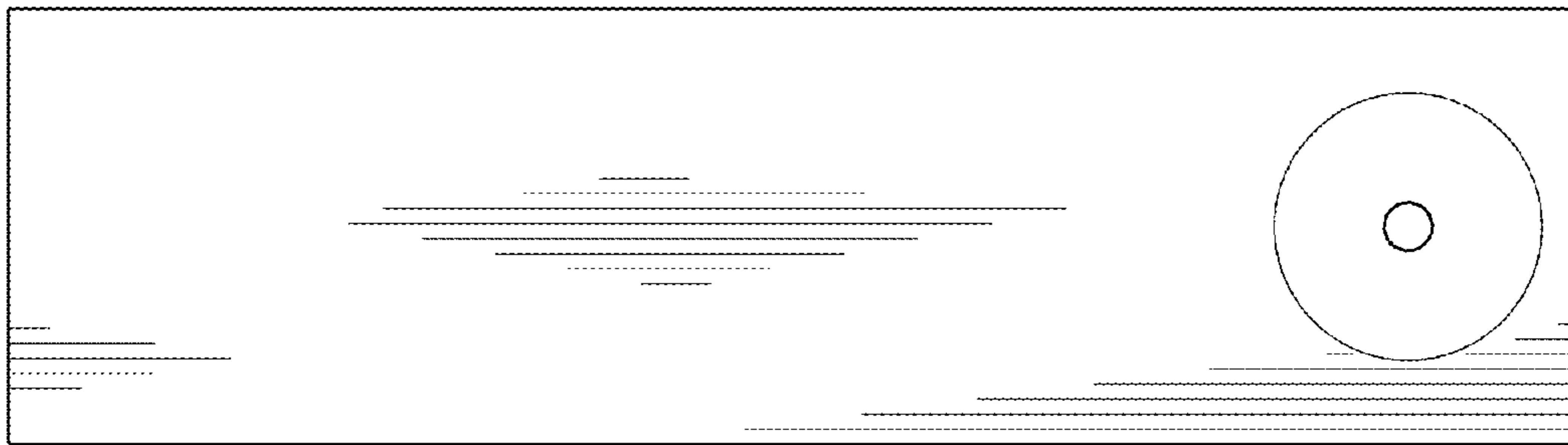


FIG. 6

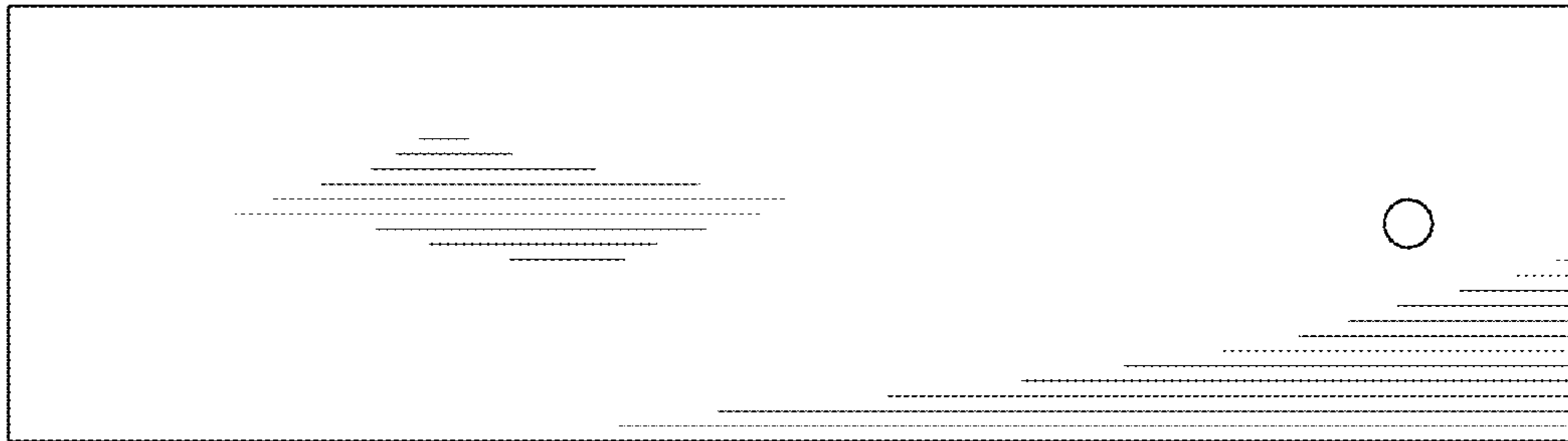


FIG. 7