



US00D711483S

(12) **United States Design Patent**
Wong

(10) **Patent No.:** **US D711,483 S**

(45) **Date of Patent:** **** Aug. 19, 2014**

(54) **PUTTER HEAD**

(71) Applicant: **Dennis Wong**, Vancouver (CA)

(72) Inventor: **Dennis Wong**, Vancouver (CA)

(**) Term: **14 Years**

(21) Appl. No.: **29/444,236**

(22) Filed: **Jan. 28, 2013**

(51) **LOC (10) Cl.** **21-02**

(52) **U.S. Cl.**
USPC **D21/743**

(58) **Field of Classification Search**
USPC D21/736-746, 759; 473/324-331,
473/251-256, 340-341
See application file for complete search history.

(56) **References Cited**

U.S. PATENT DOCUMENTS

3,134,596	A	*	5/1964	Boznos	473/250
D230,751	S	*	3/1974	Simonsen	D21/738
D245,437	S	*	8/1977	Thiel	D21/745
D271,317	S	*	11/1983	Bretl	D21/737
D350,998	S	*	9/1994	Wooten	D21/742
D365,615	S	*	12/1995	Shimatani	D21/743
D467,984	S	*	12/2002	Mullins	D21/736

D483,086	S	*	12/2003	Schweigert et al.	D21/736
D520,088	S	*	5/2006	Parr	D21/744
D633,971	S	*	3/2011	Cardani	D21/759

* cited by examiner

Primary Examiner — Mitchell Siegel

(74) *Attorney, Agent, or Firm* — Smiths IP

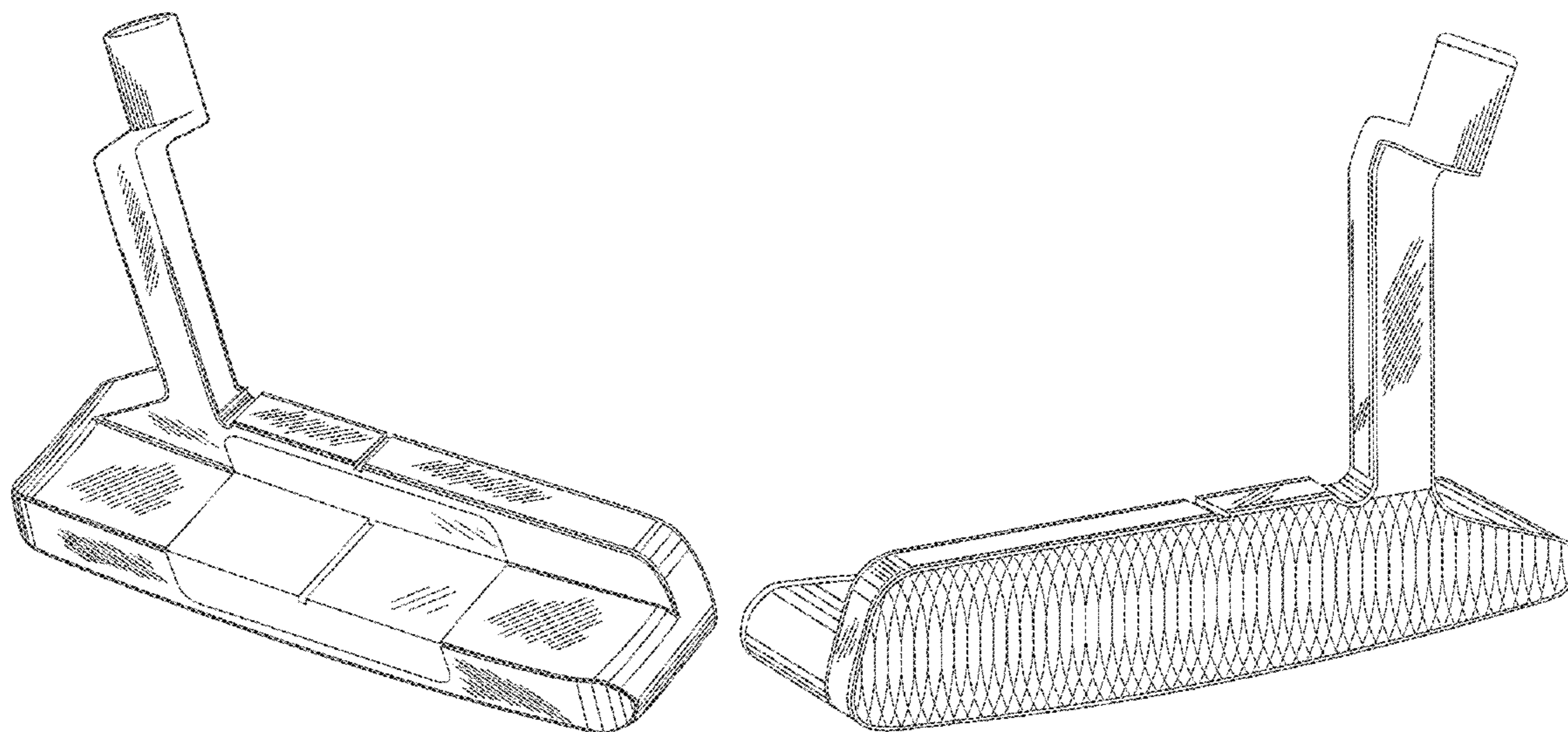
(57) **CLAIM**

The ornamental design for a putter head, as shown and described.

DESCRIPTION

FIG. 1 is a perspective view of a putter head showing my new design, viewed from the rear, above, and one side; FIG. 2 is another perspective view of the putter head of FIG. 1, viewed from the front and one side; FIG. 3 is a top plan view of the putter head of FIG. 1; FIG. 4 is a bottom plan view of the putter head of FIG. 1; FIG. 5 is a front elevation view of the putter head of FIG. 1; FIG. 6 is a rear elevation view of the putter head of FIG. 1; FIG. 7 is a left side elevation view of the putter head of FIG. 1; and, FIG. 8 is a right side elevation view of the putter head of FIG. 1.

1 Claim, 8 Drawing Sheets



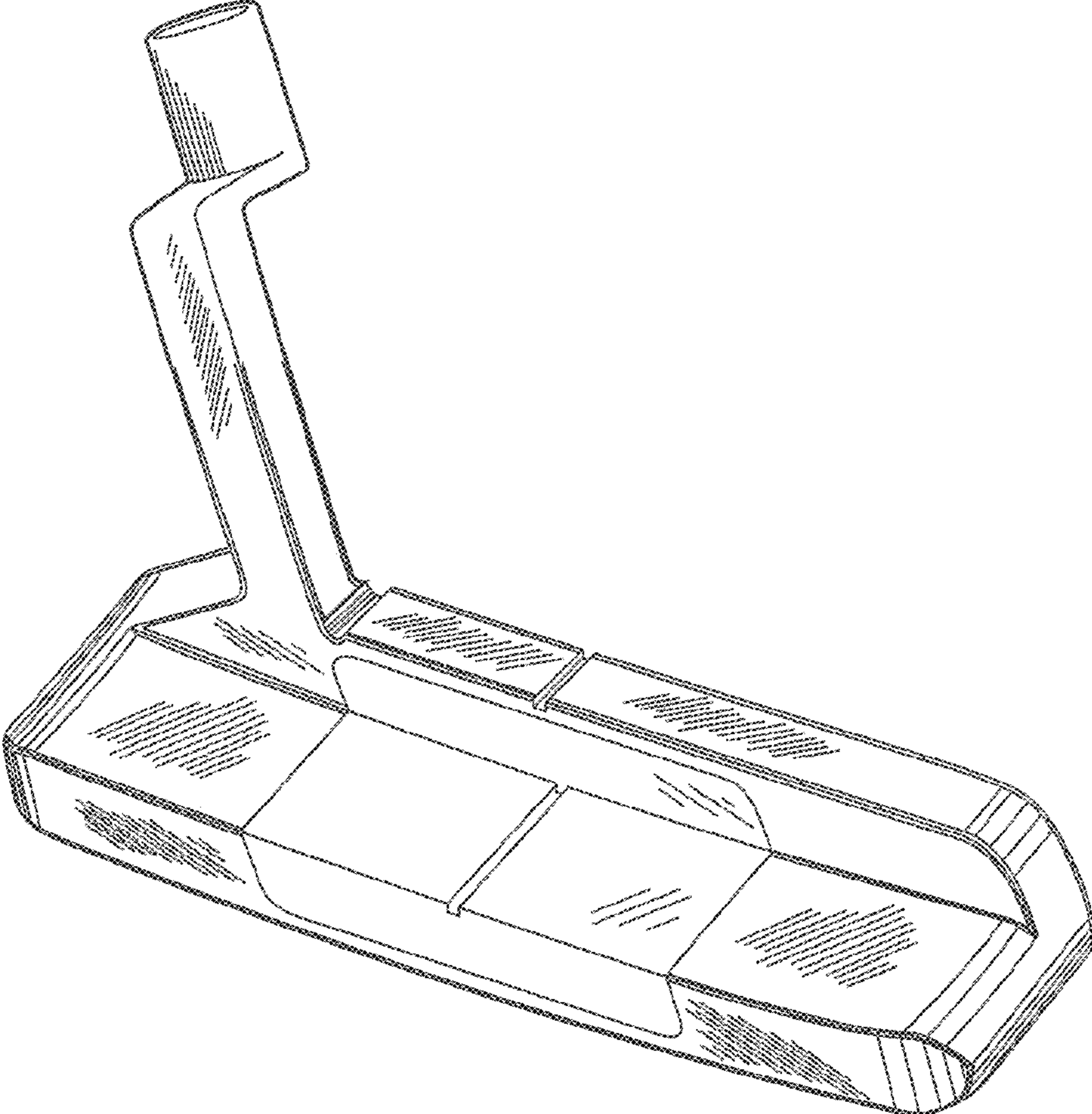


Fig. 1

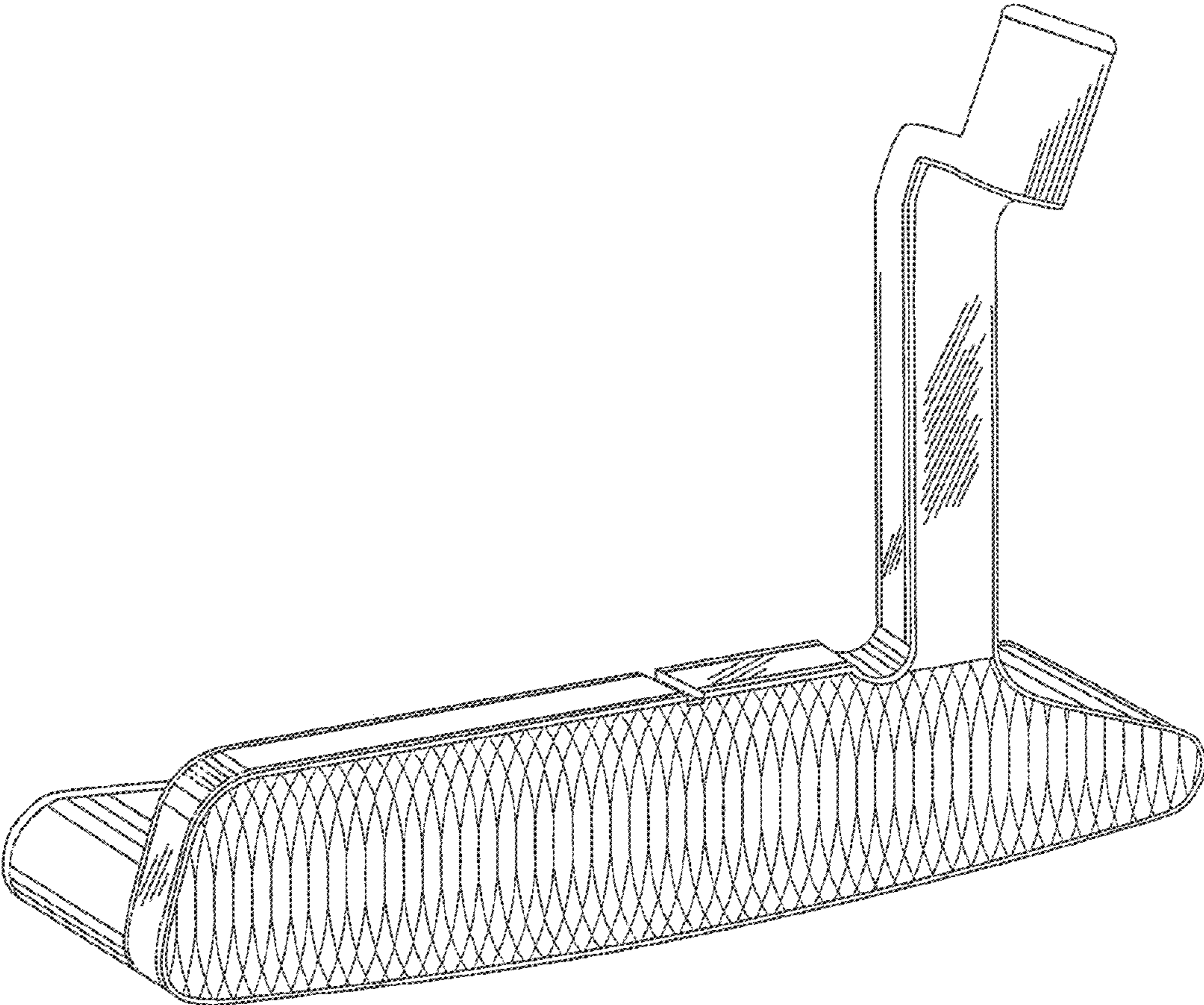


Fig. 2

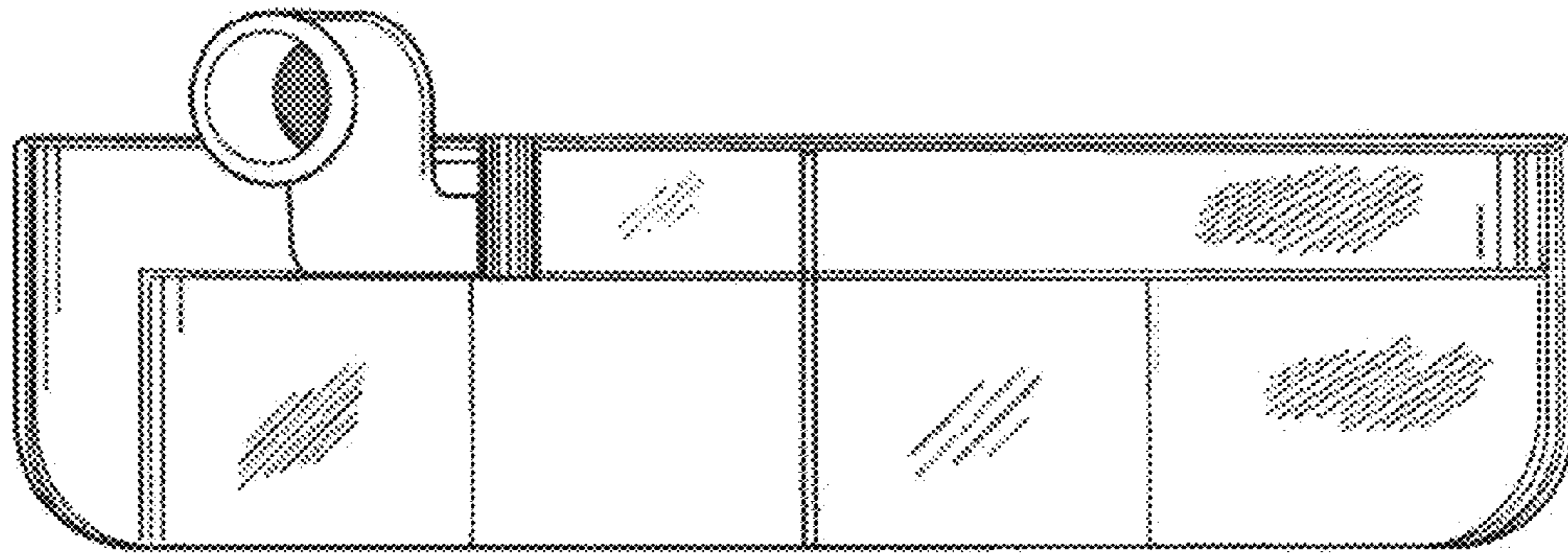


Fig. 3

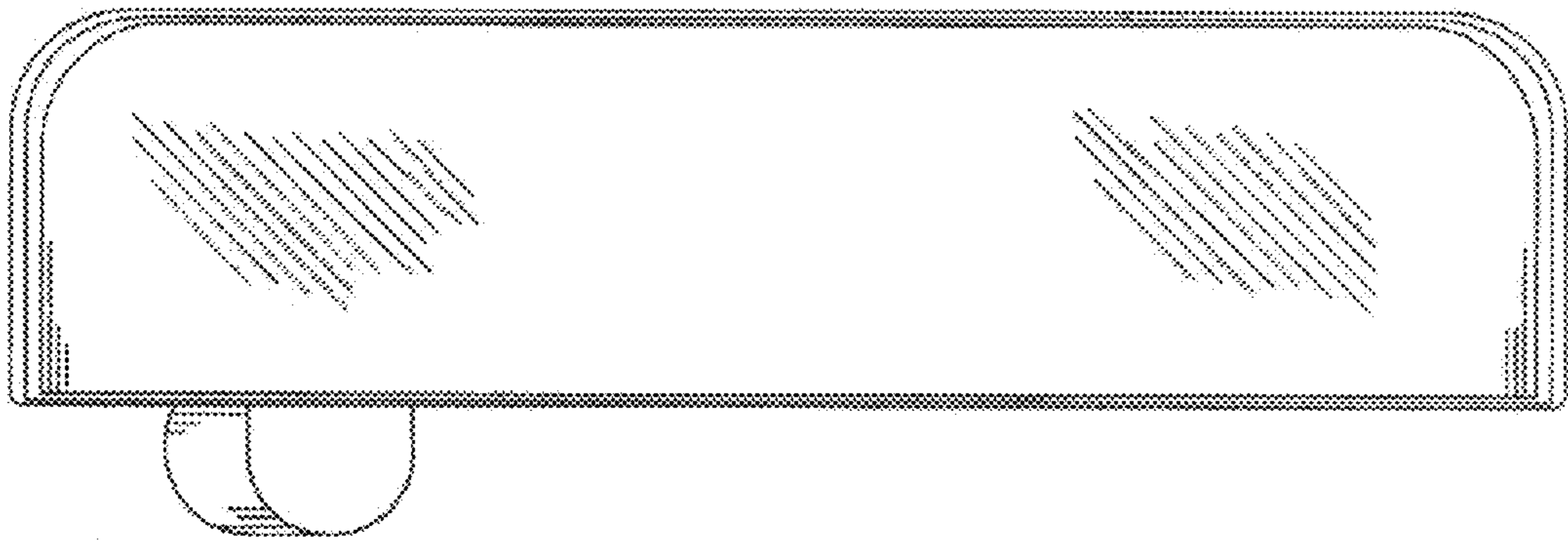


Fig. 4

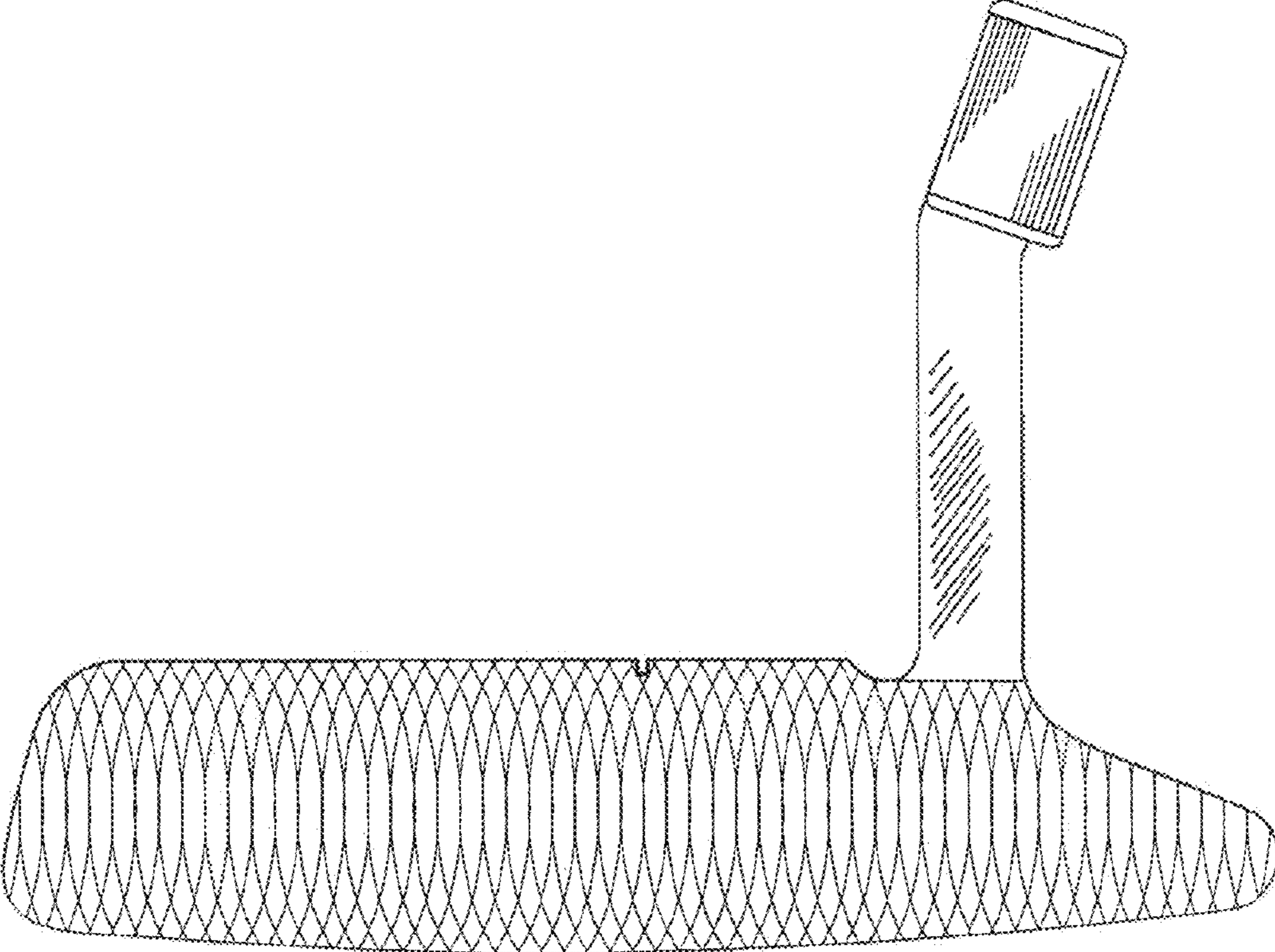


Fig. 5

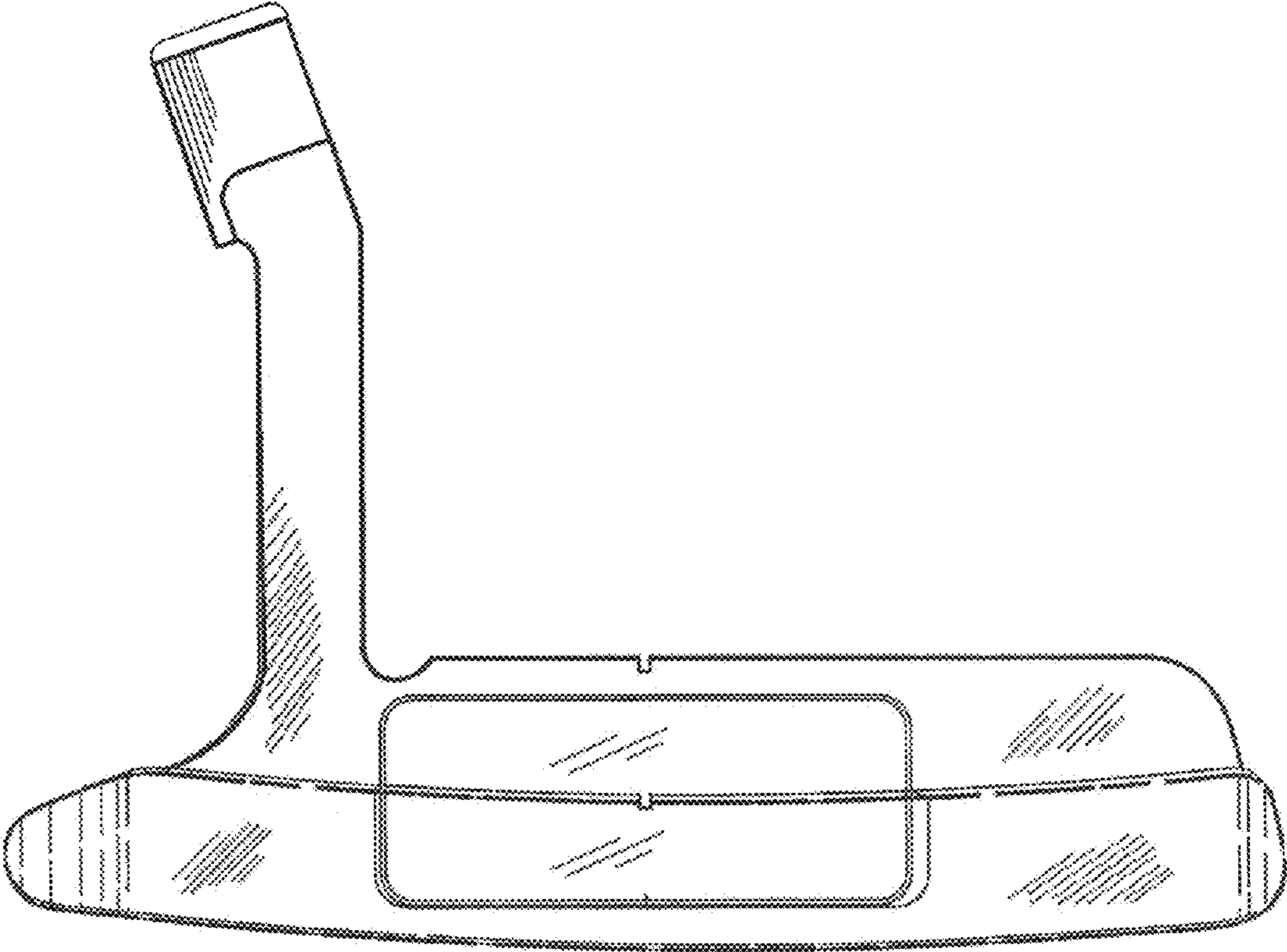


Fig. 6

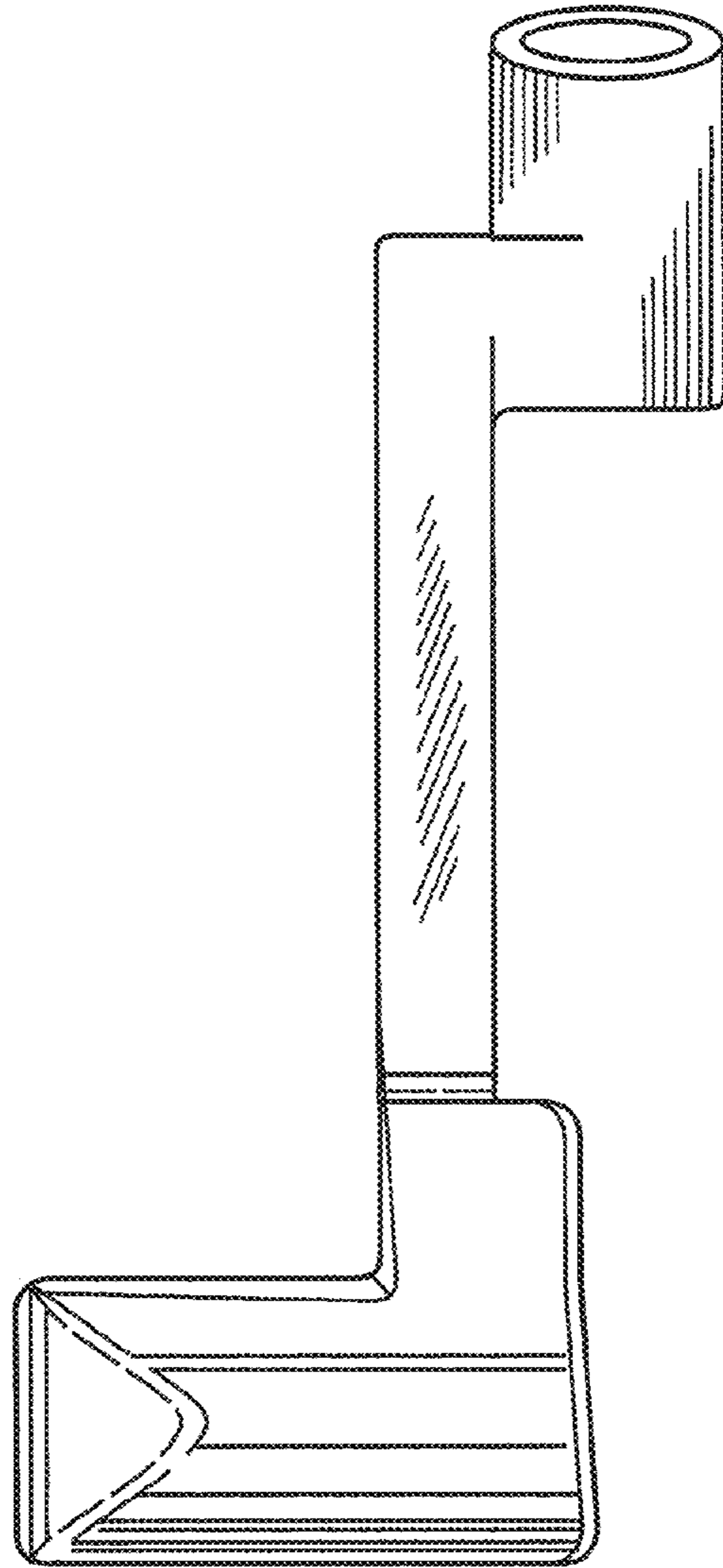


Fig. 7

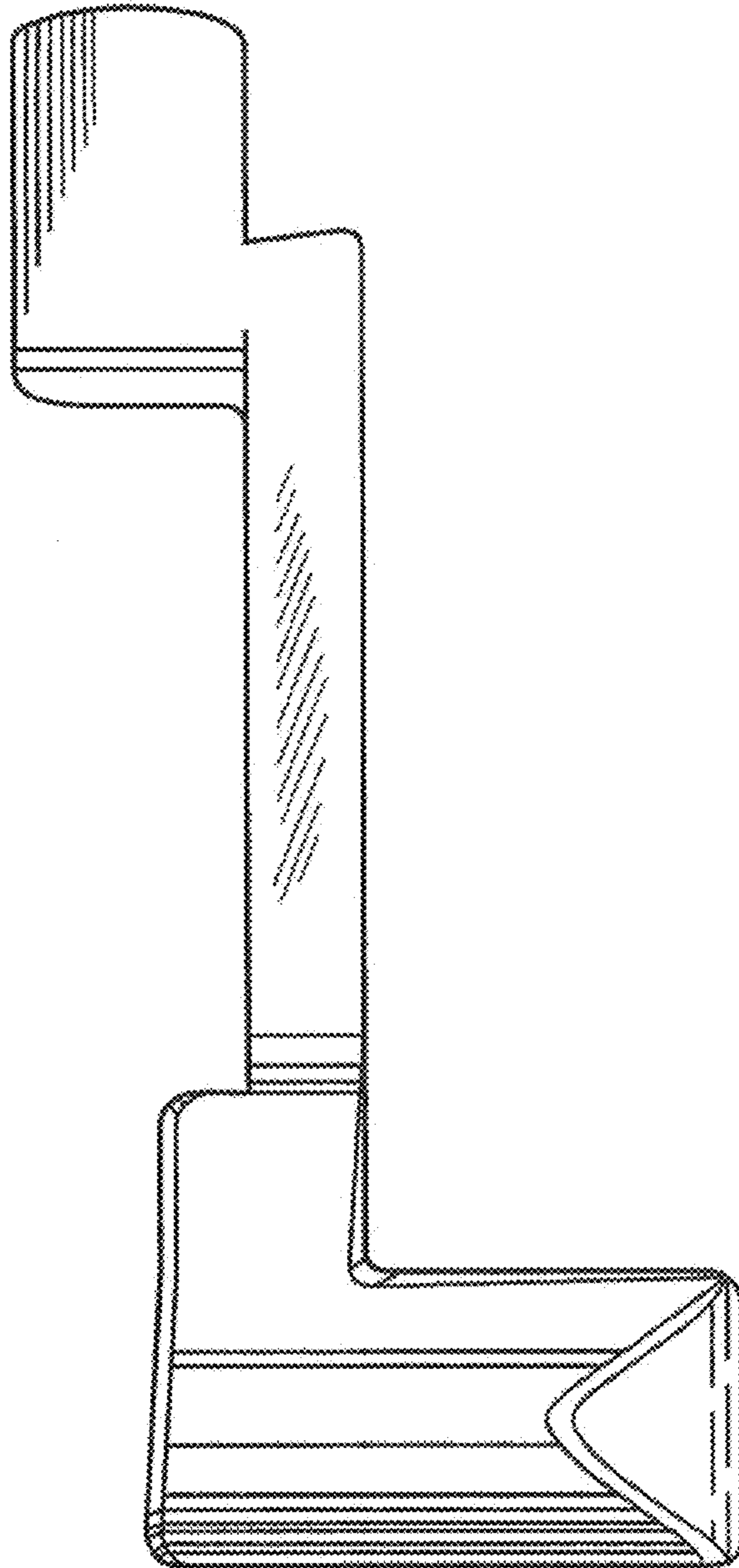


Fig. 8