



US00D711480S

(12) **United States Design Patent**
Lee

(10) **Patent No.:** **US D711,480 S**
(45) **Date of Patent:** **** Aug. 19, 2014**

(54) **SOLAR-POWERED TOY ROBOT**
(71) Applicant: **Wen-Hsien Lee**, New Taipei (TW)
(72) Inventor: **Wen-Hsien Lee**, New Taipei (TW)
(**) Term: **14 Years**
(21) Appl. No.: **29/476,950**
(22) Filed: **Dec. 18, 2013**
(51) **LOC (10) Cl.** **21-01**
(52) **U.S. Cl.**
USPC **D21/578**; D15/199
(58) **Field of Classification Search**
USPC D21/578–583, 621, 622; 446/268–274,
446/279, 280, 285, 289–292, 294, 297–303,
446/353–355, 376–384; D15/199;
318/568.11, 568.12, 568.2
See application file for complete search history.

D593,164 S * 5/2009 Sonoda D21/578
D622,786 S * 8/2010 Lee D21/578
8,359,122 B2 * 1/2013 Koselka et al. 700/245
8,401,275 B2 * 3/2013 Wang et al. 382/153

* cited by examiner

Primary Examiner — Zenia Bennett
(74) *Attorney, Agent, or Firm* — The Weintraub Group,
P.L.C.

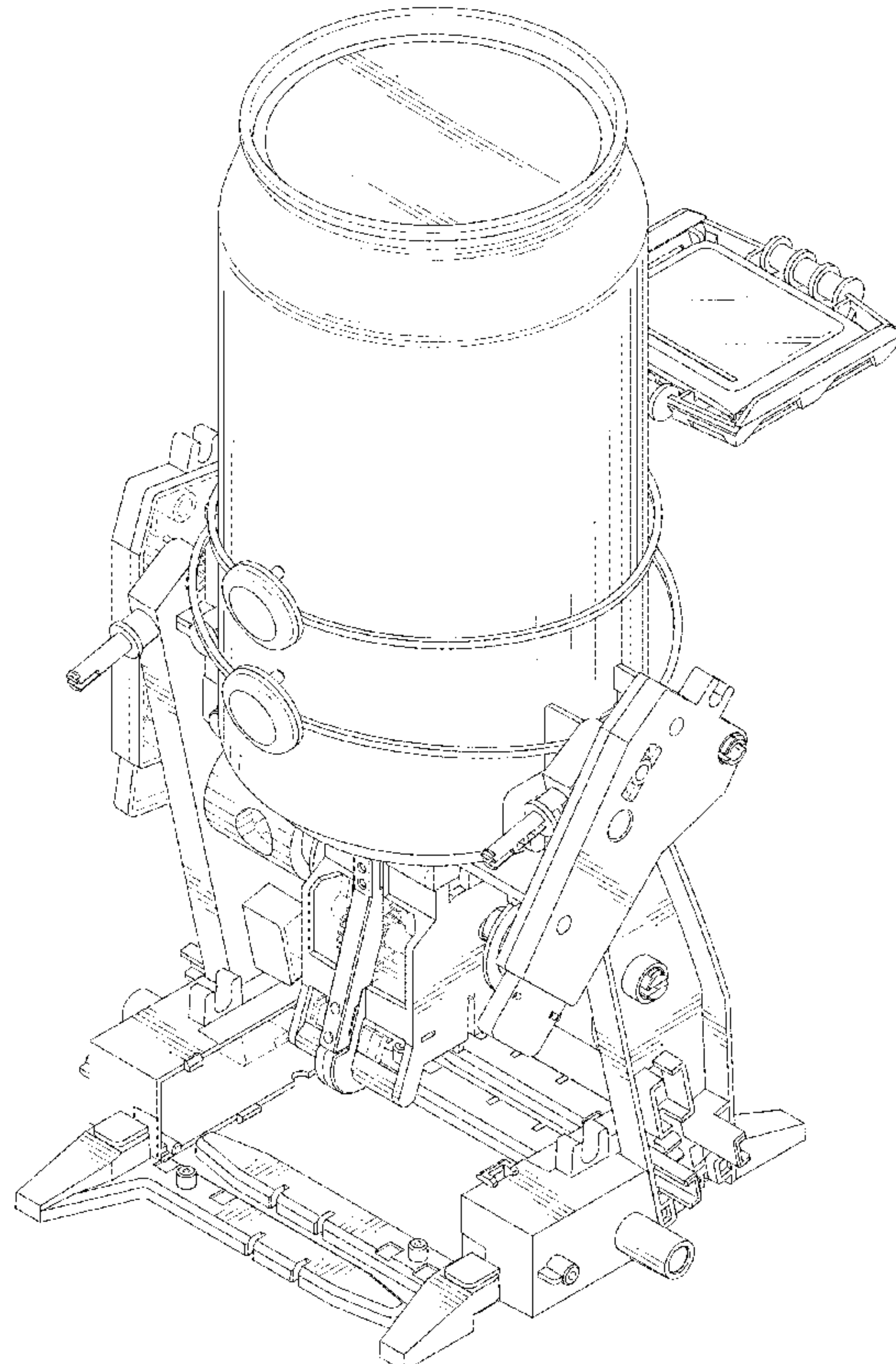
(57) **CLAIM**
The ornamental design for a solar-powered toy robot, as
shown and described.

DESCRIPTION

FIG. 1 is a perspective view of a solar-powered toy robot
showing my new design;
FIG. 2 is a front view thereof;
FIG. 3 is a rear view thereof;
FIG. 4 is a left side view thereof;
FIG. 5 is a right side view thereof;
FIG. 6 is a top view thereof;
FIG. 7 is a bottom view thereof; and,
FIG. 8 is another perspective view thereof.
The broken lines are shown for illustrative purposes only and
form no part of the claimed design.

(56) **References Cited**
U.S. PATENT DOCUMENTS
D298,766 S * 11/1988 Tanno et al. D21/578
6,604,021 B2 * 8/2003 Imai et al. 700/245
D563,443 S * 3/2008 Ahn et al. D15/199
D572,739 S * 7/2008 Jennings et al. D15/199
D579,035 S * 10/2008 Kim et al. D15/199

1 Claim, 8 Drawing Sheets



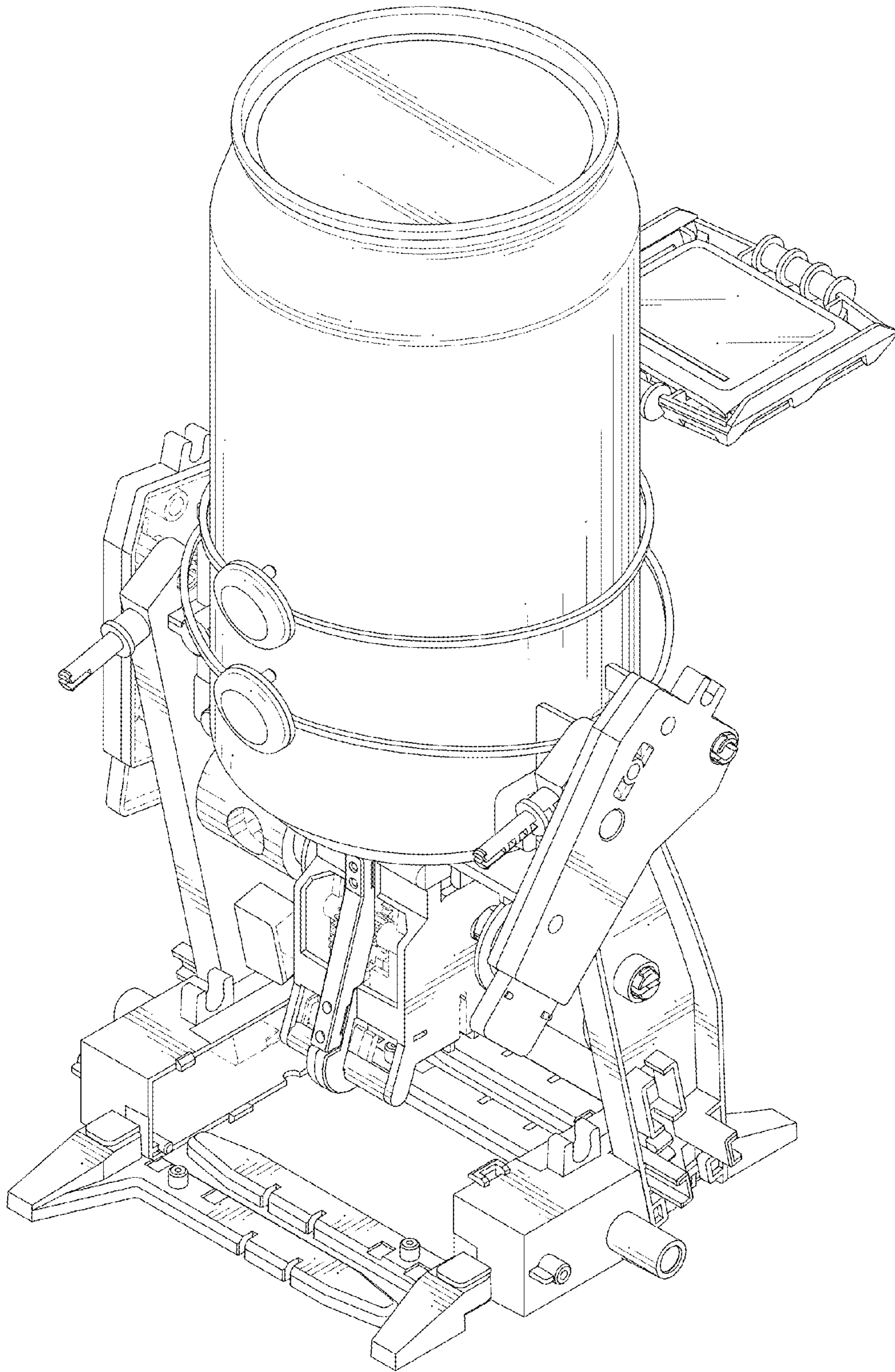


FIG.1

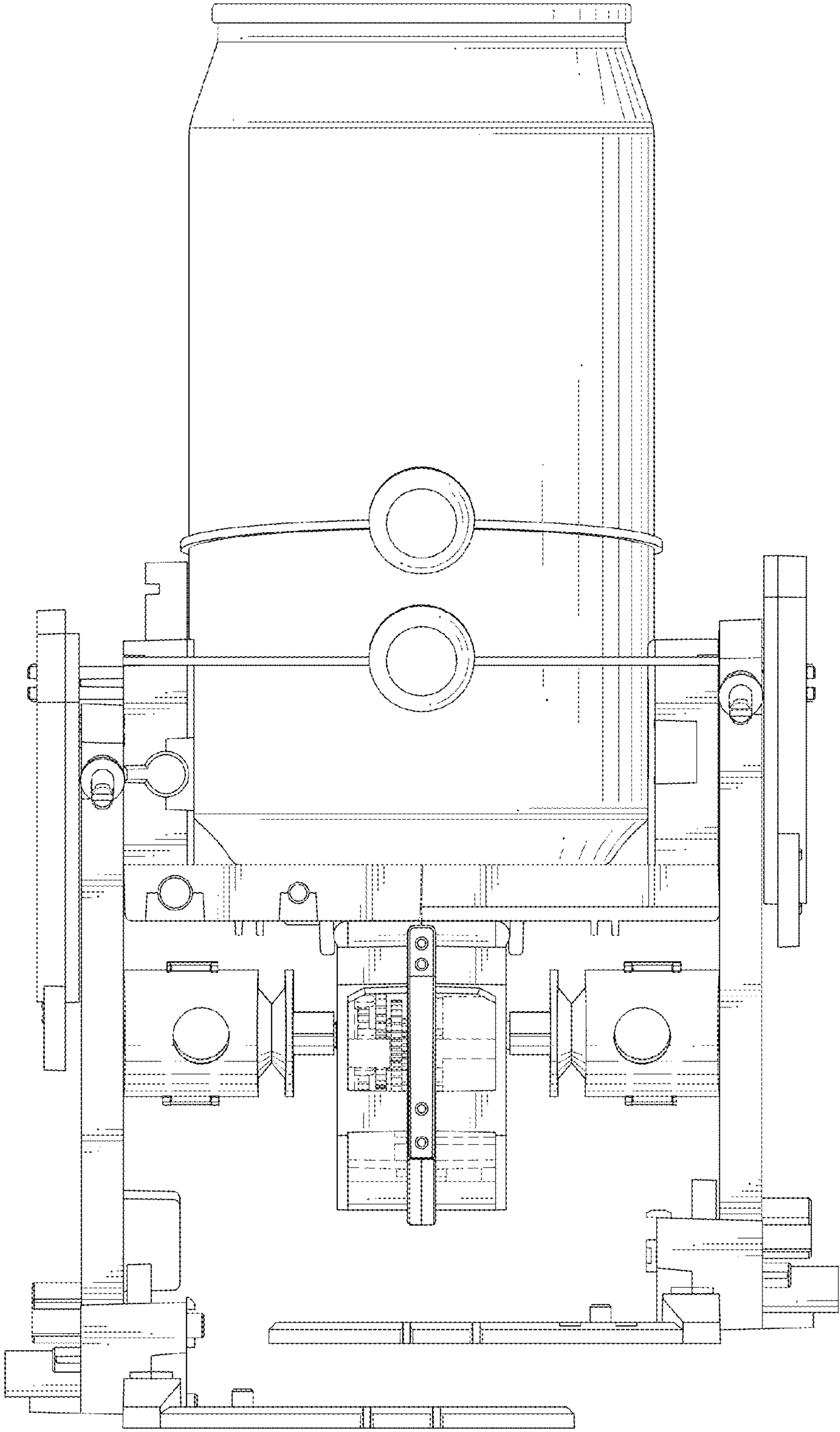


FIG.2

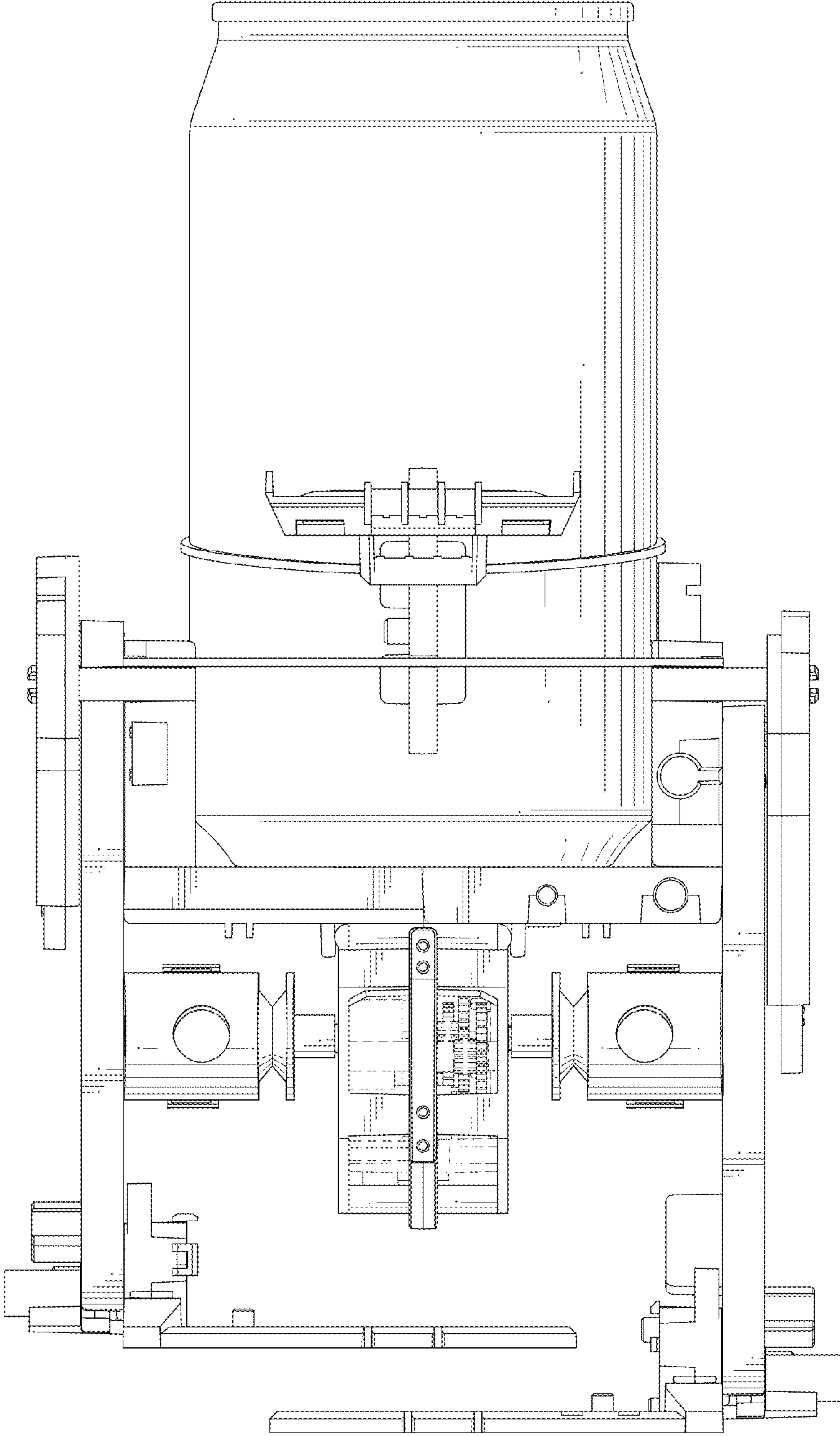


FIG.3

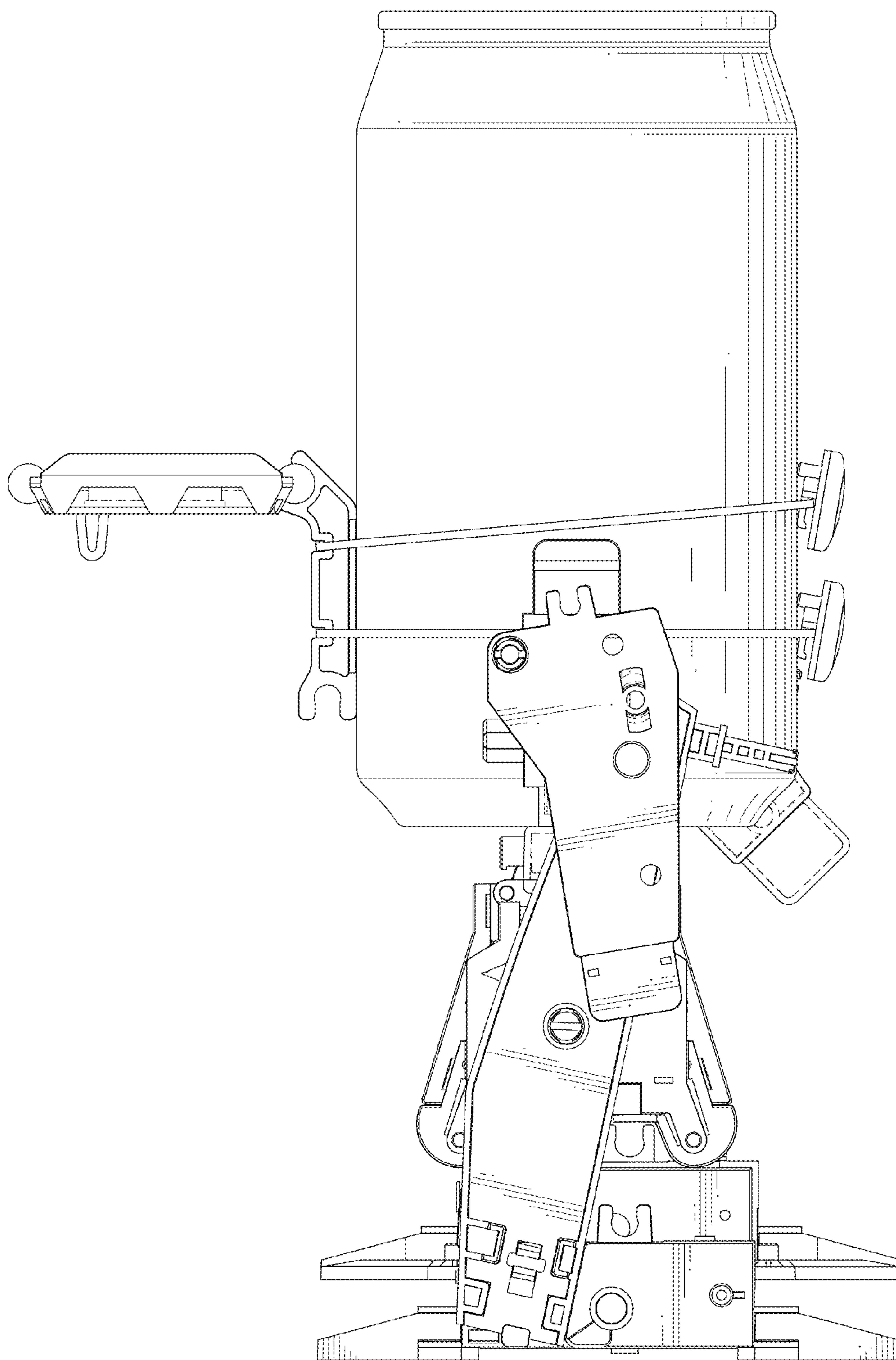


FIG.4

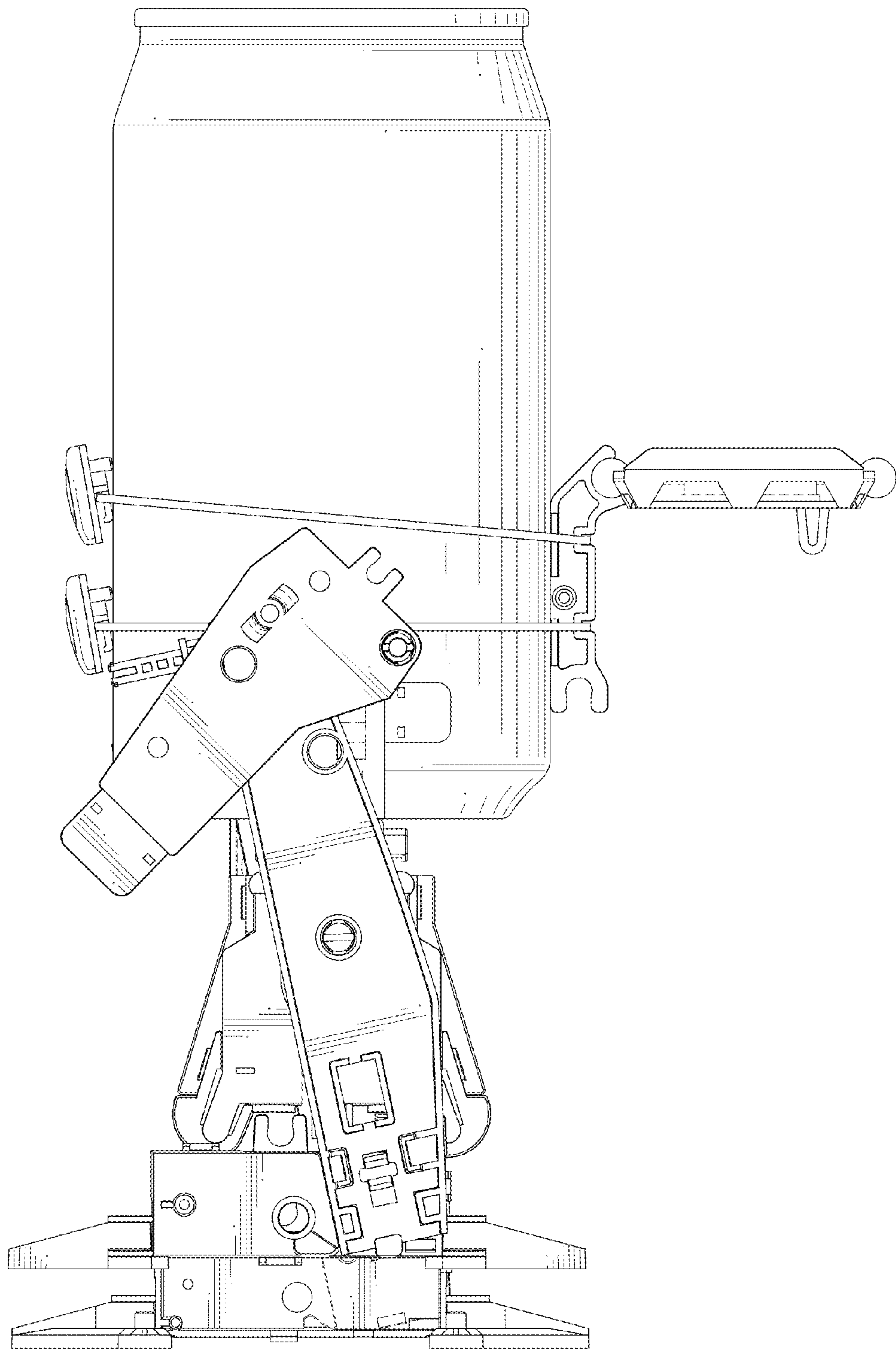


FIG.5

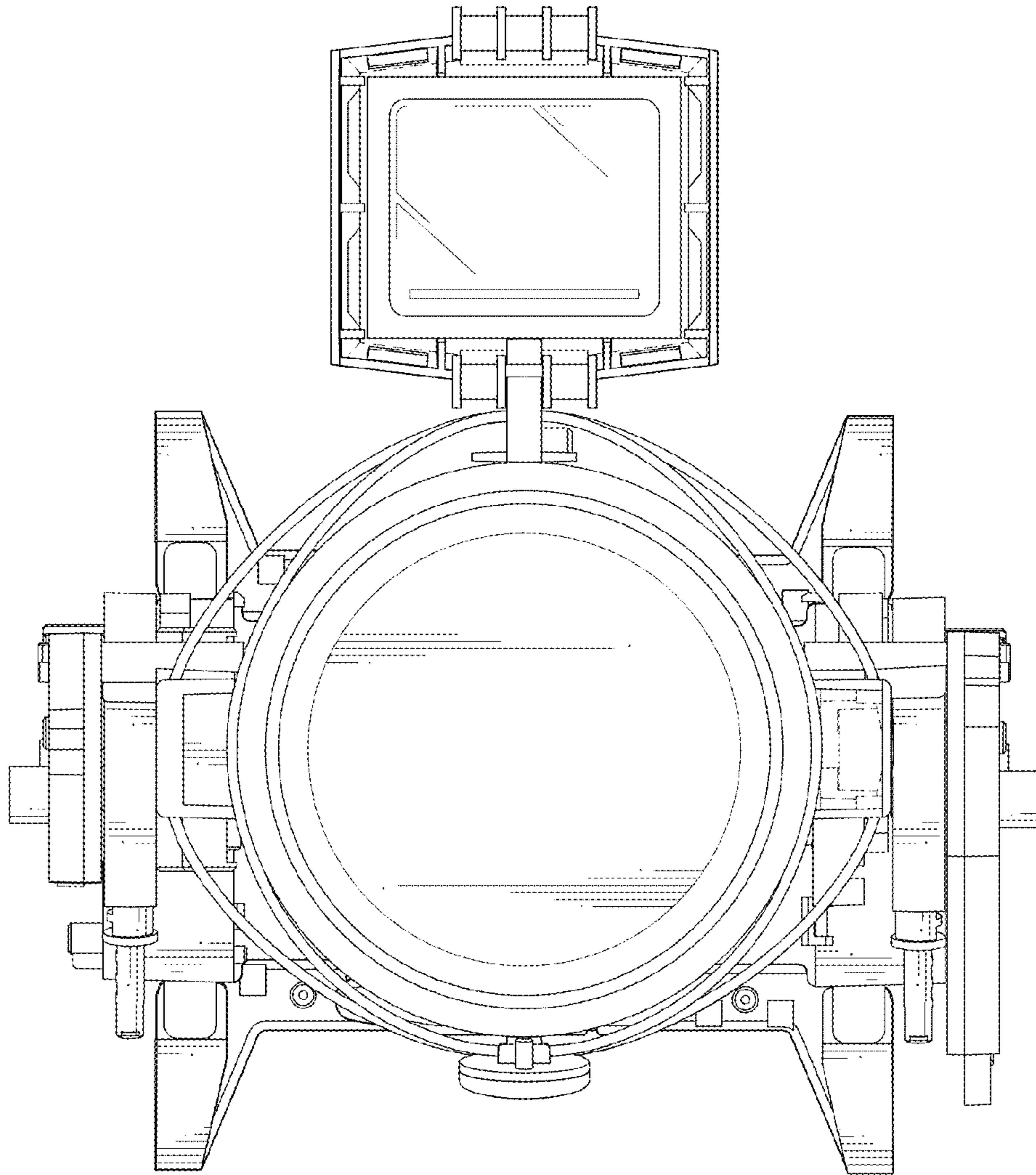


FIG.6

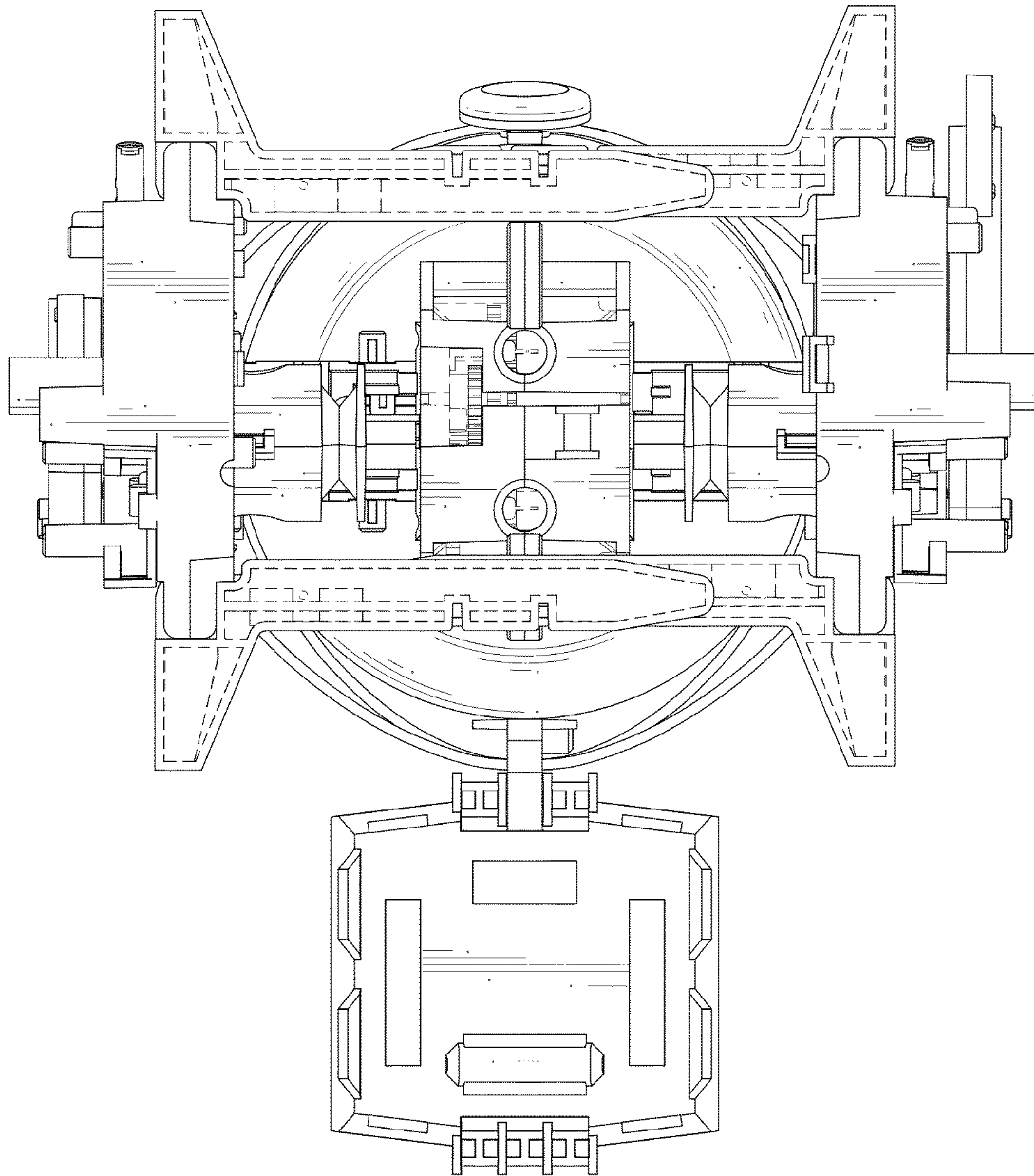


FIG. 7

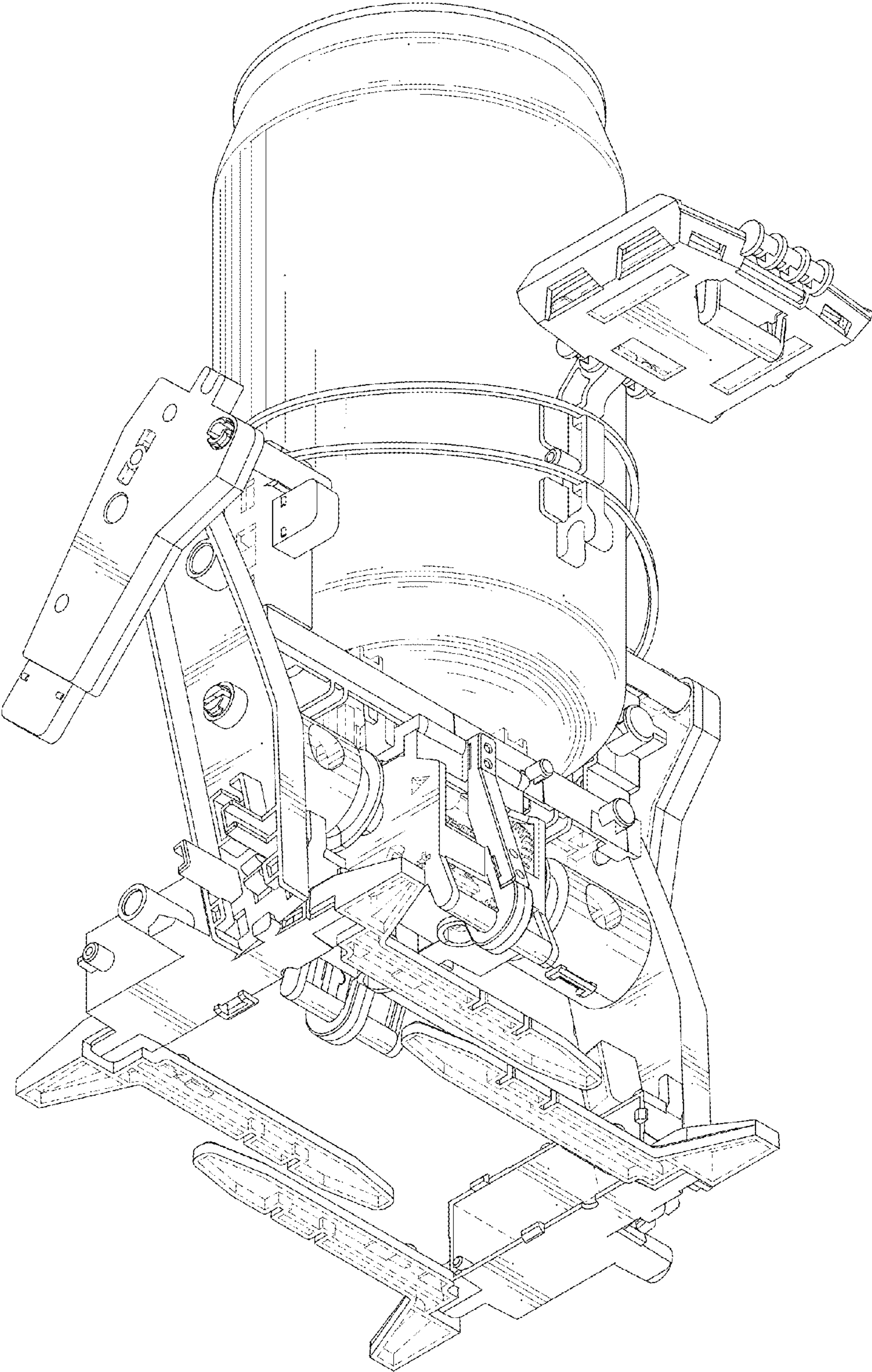


FIG.8