



US00D711479S

(12) **United States Design Patent**
Lee

(10) **Patent No.:** **US D711,479 S**

(45) **Date of Patent:** **** Aug. 19, 2014**

(54) **SOLAR ROBOT**

(71) Applicant: **Wen-Hsien Lee**, New Taipei (TW)

(72) Inventor: **Wen-Hsien Lee**, New Taipei (TW)

(**) Term: **14 Years**

(21) Appl. No.: **29/435,238**

(22) Filed: **Oct. 22, 2012**

(51) **LOC (10) Cl.** **21-01**

(52) **U.S. Cl.**
USPC **D21/578**; D15/199

(58) **Field of Classification Search**
USPC D21/578–583, 621, 622; 446/268–274,
446/279, 280, 285, 289–292, 294, 297–303,
446/353–355, 376–384; D15/199;
318/568.11, 568.12, 568.2
See application file for complete search history.

(56) **References Cited**

U.S. PATENT DOCUMENTS

D471,243 S * 3/2003 Cioffi et al. D21/578
D545,721 S * 7/2007 Hacker et al. D12/1
D561,796 S * 2/2008 Mitchell D15/199
D626,577 S * 11/2010 Carlson et al. D15/199

D639,351 S * 6/2011 Newmayer et al. D21/533
D667,898 S * 9/2012 Gettings et al. D21/578
D694,839 S * 12/2013 Gettings et al. D21/578
2005/0162117 A1 * 7/2005 Iribe et al. 318/568.12

* cited by examiner

Primary Examiner — Zenia Bennett

(74) *Attorney, Agent, or Firm* — WPAT P.C.; Anthony King

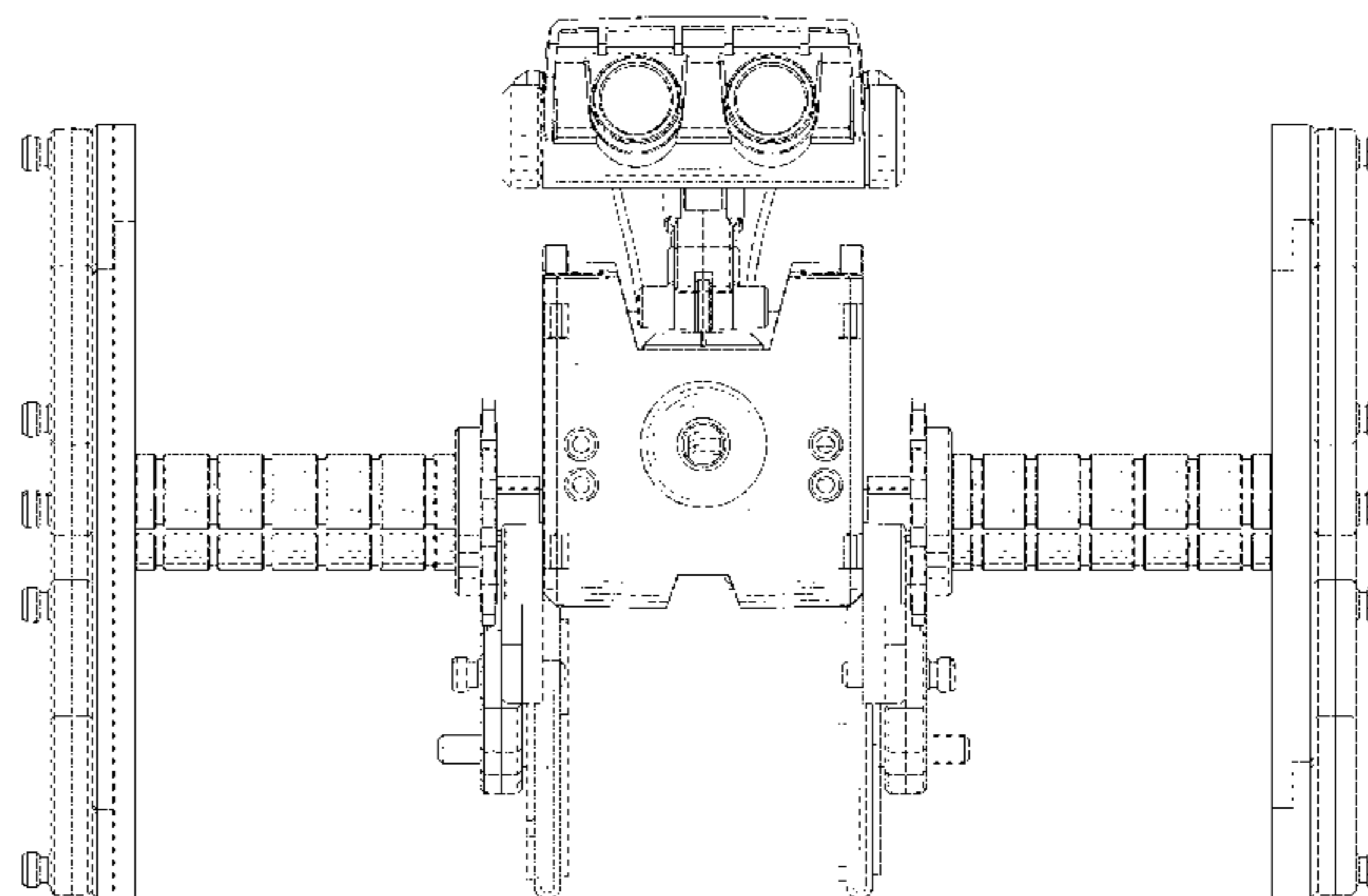
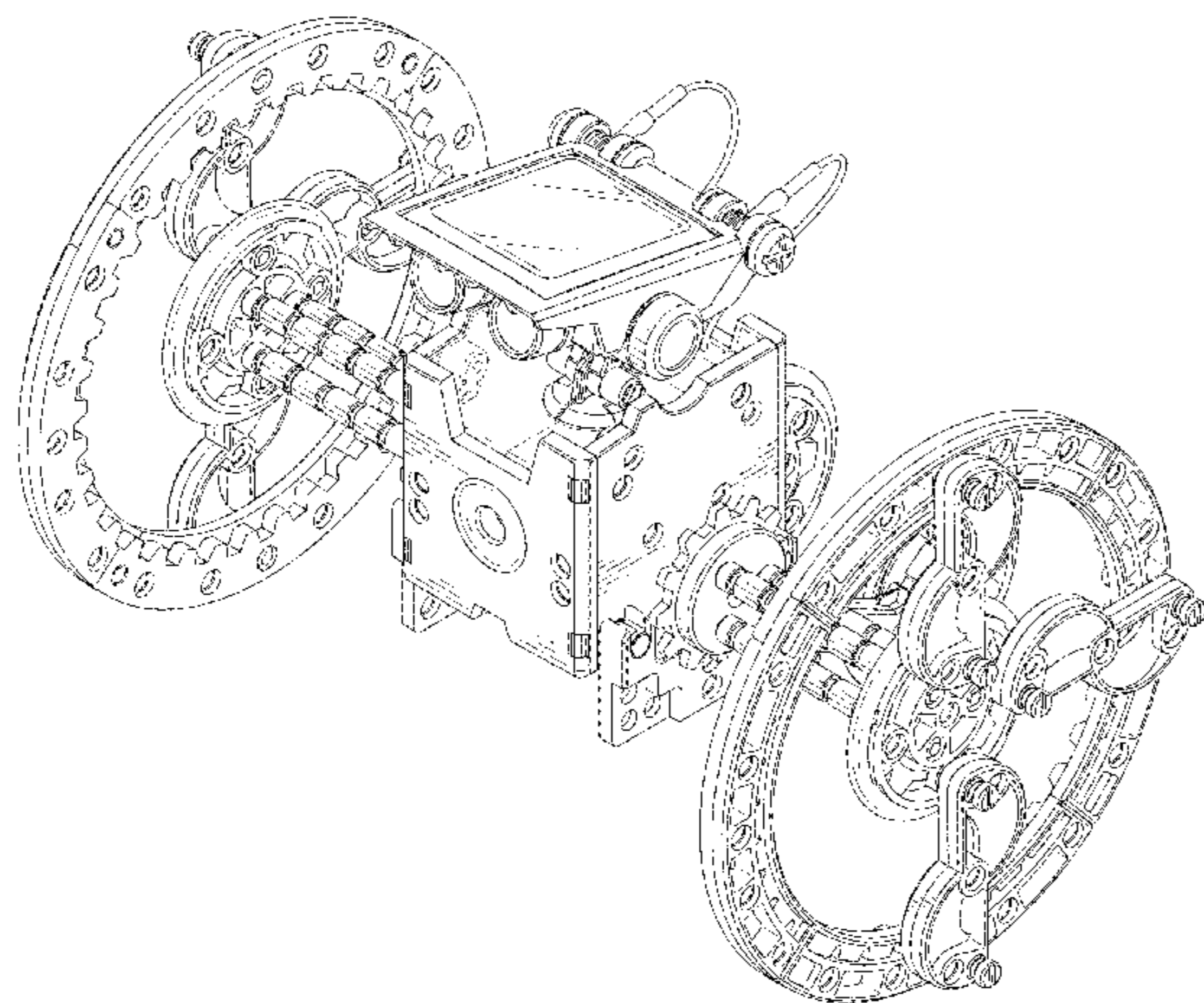
(57) **CLAIM**

The ornamental design for a solar robot, as shown and described.

DESCRIPTION

FIG. 1 is a perspective view of a solar robot showing my new design;
FIG. 2 is a front view thereof;
FIG. 3 is a rear view thereof;
FIG. 4 is a left view thereof;
FIG. 5 is a right view thereof;
FIG. 6 is a top view thereof;
FIG. 7 is a bottom view thereof; and,
FIG. 8 is another perspective view thereof.
The broken lines are shown for illustrative purposes only and form no part of the claimed design.

1 Claim, 8 Drawing Sheets



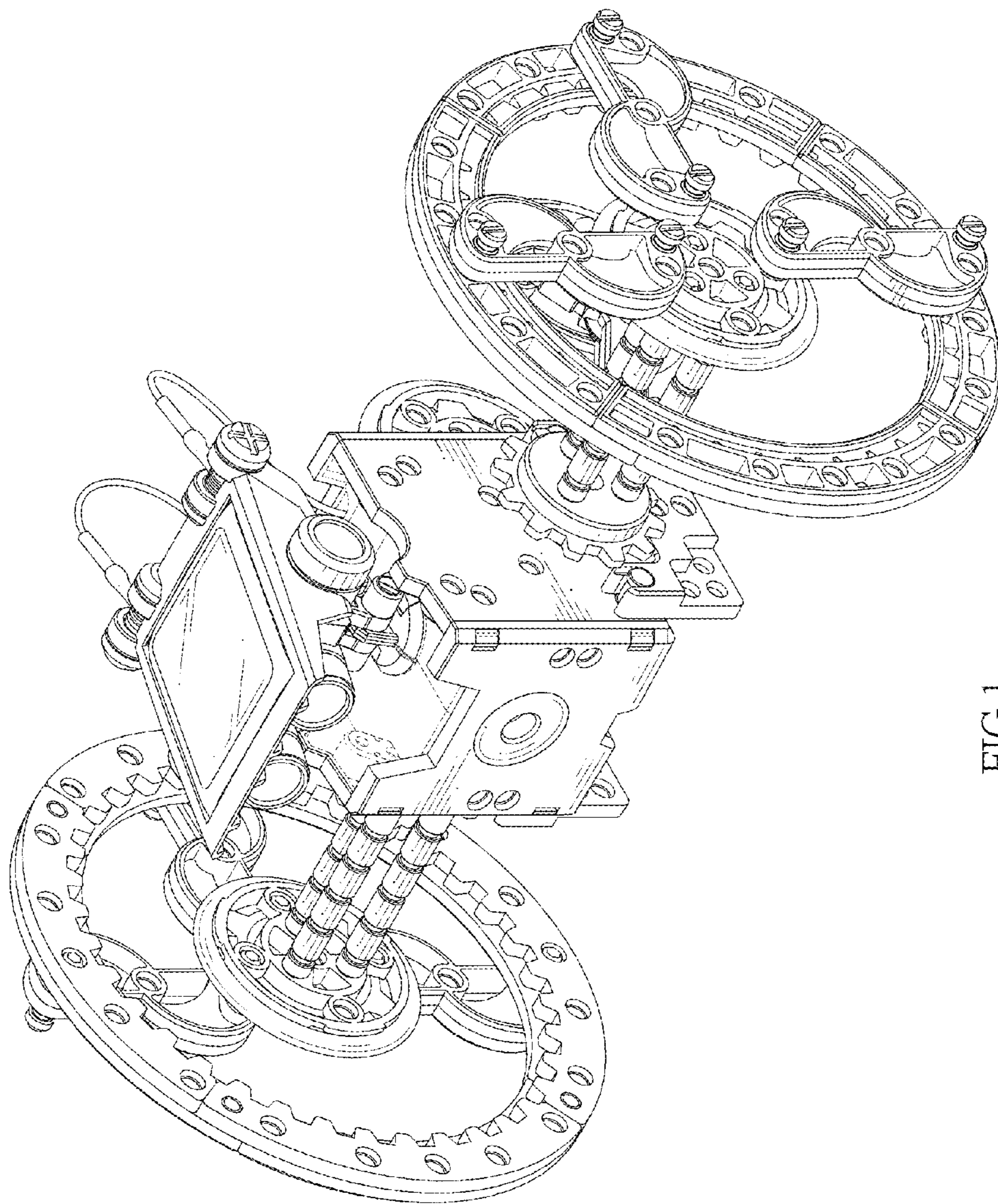


FIG. 1

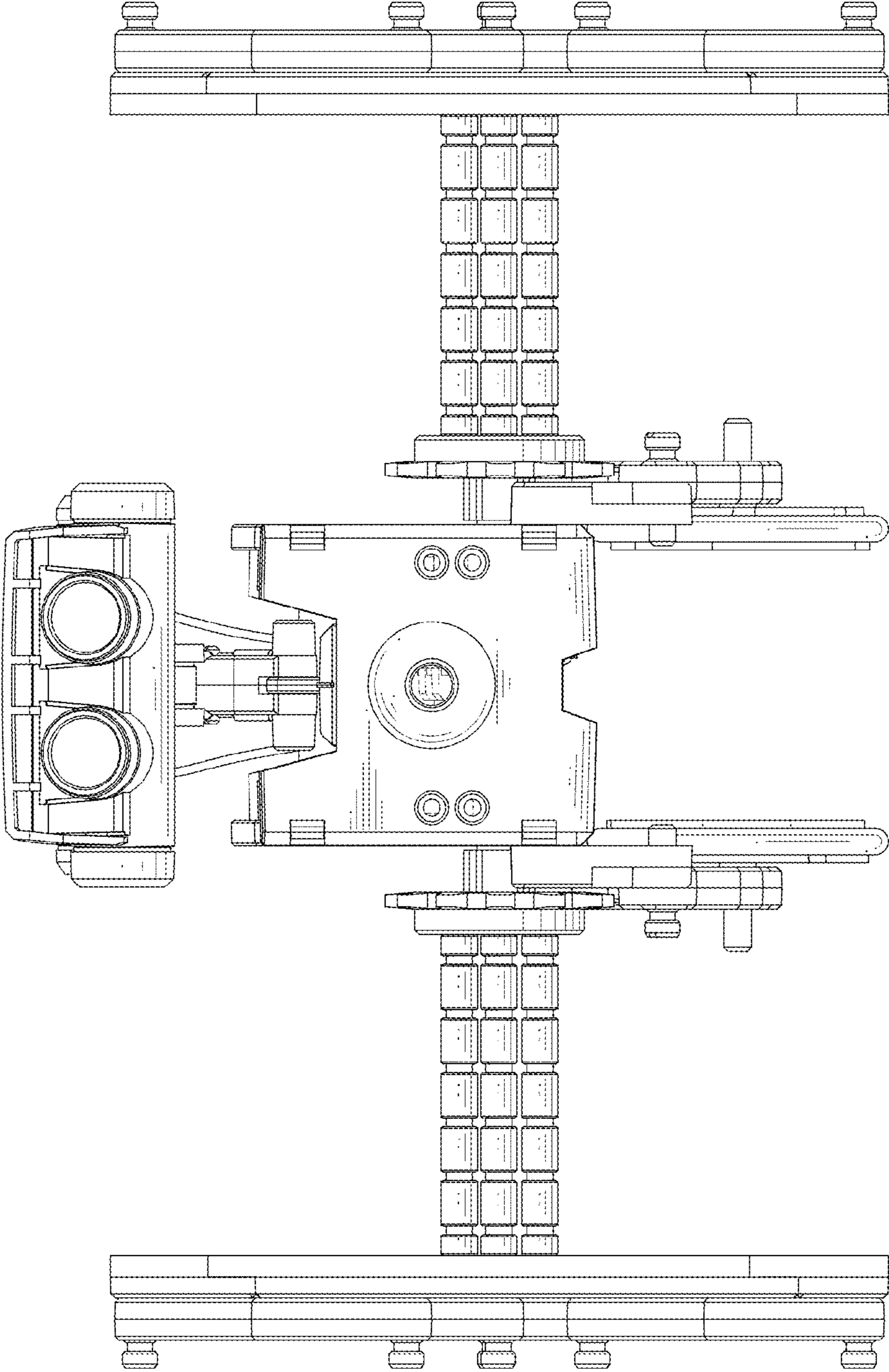


FIG.2

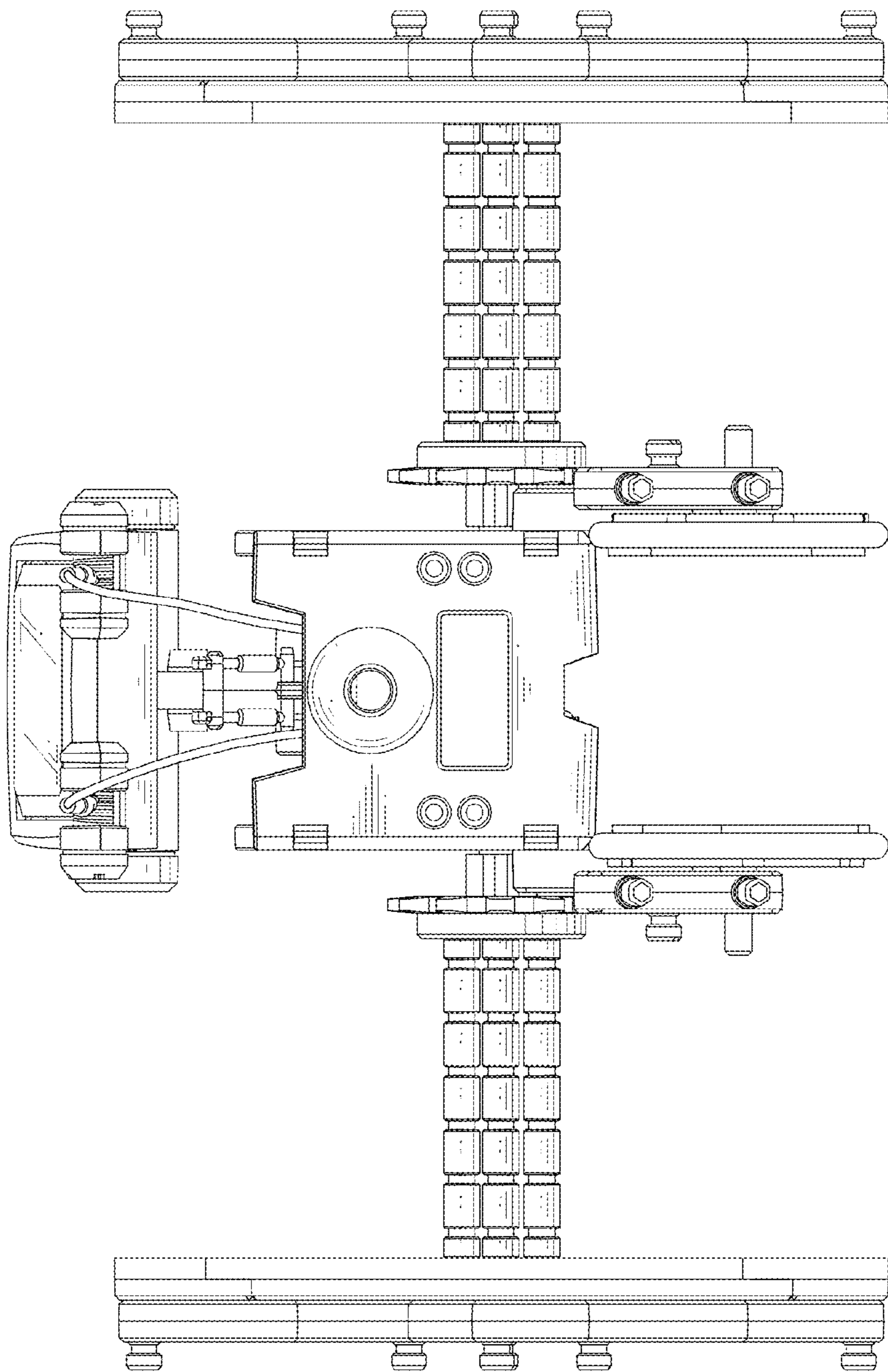


FIG. 3

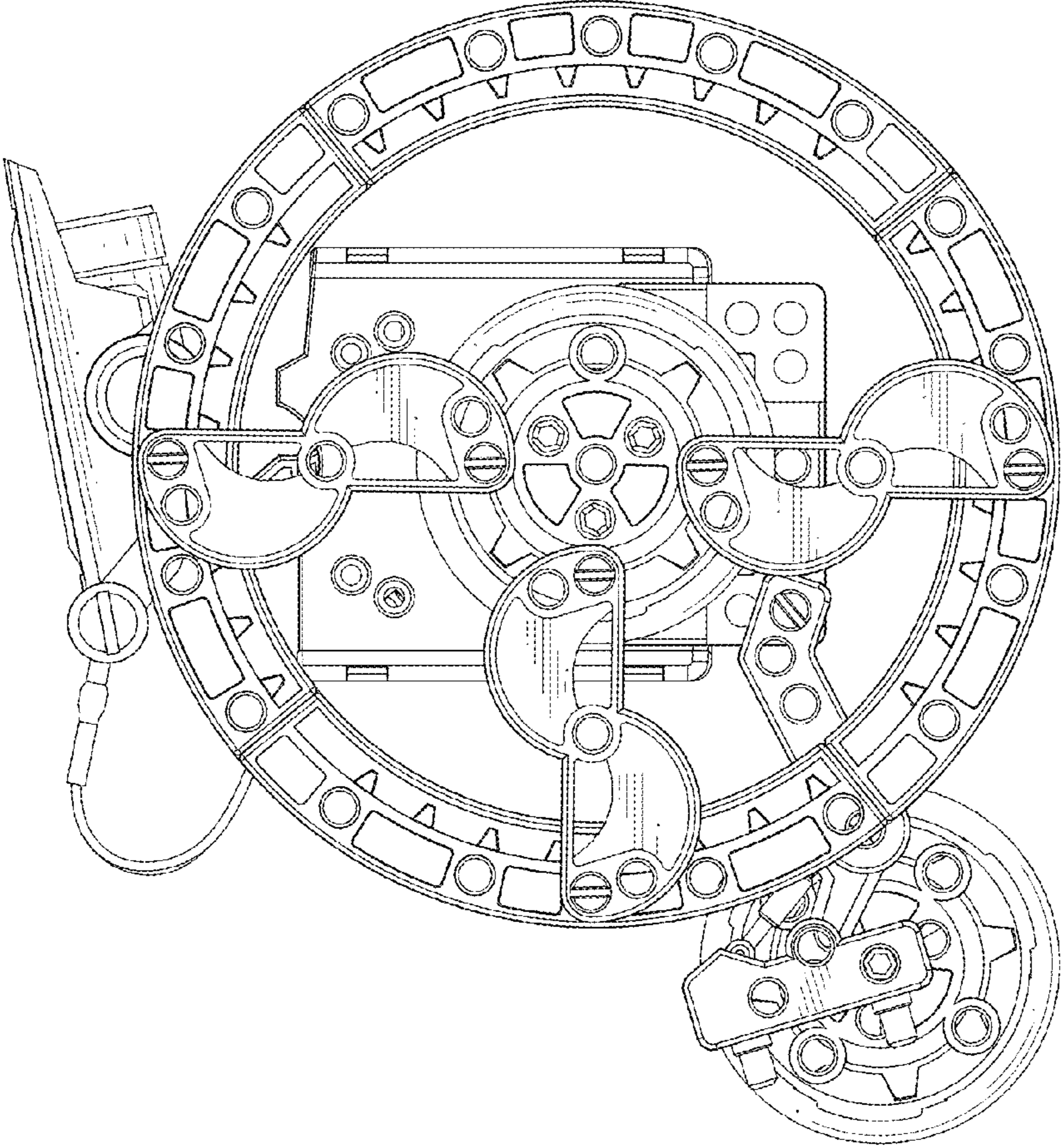


FIG.4

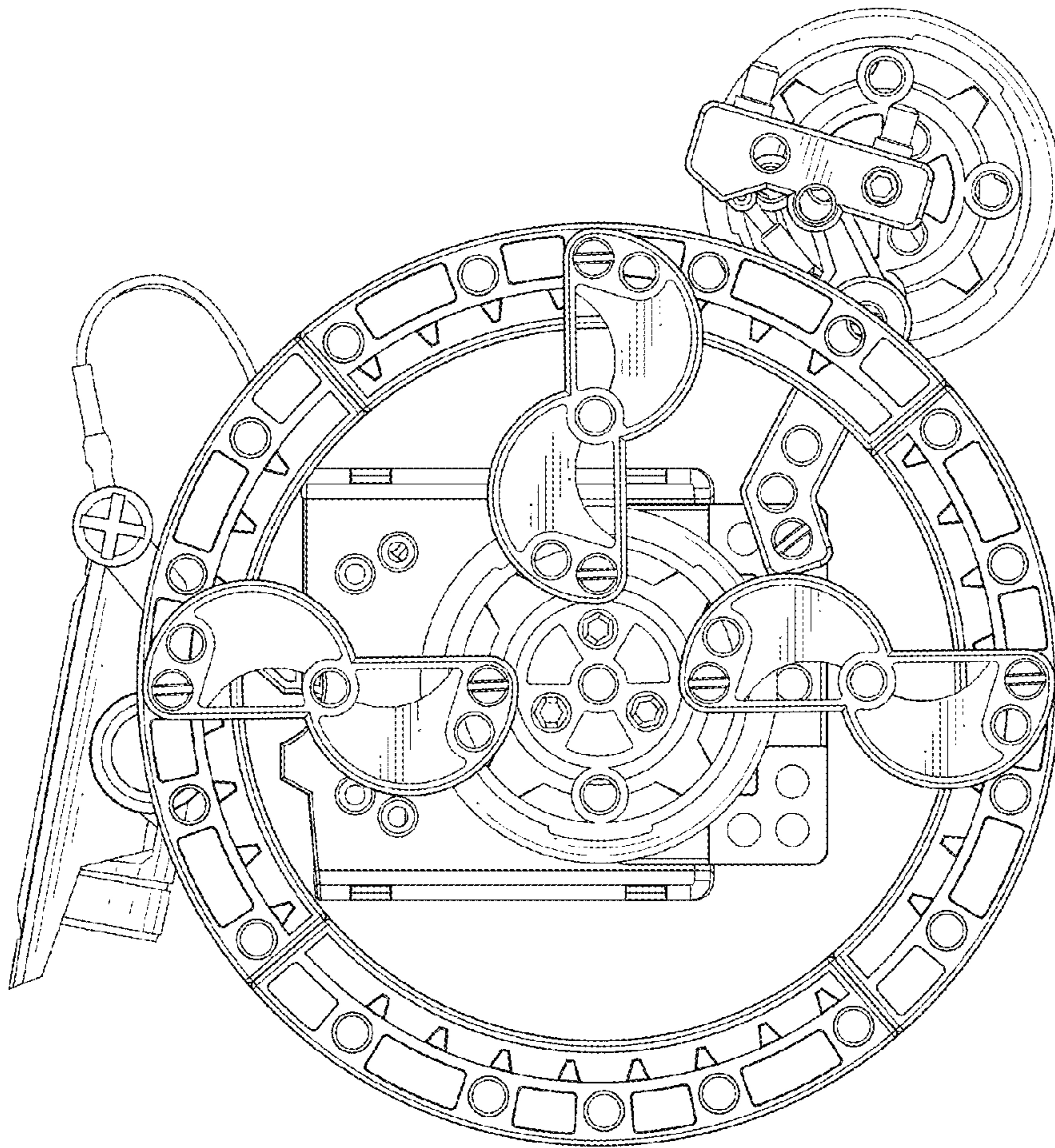


FIG.5

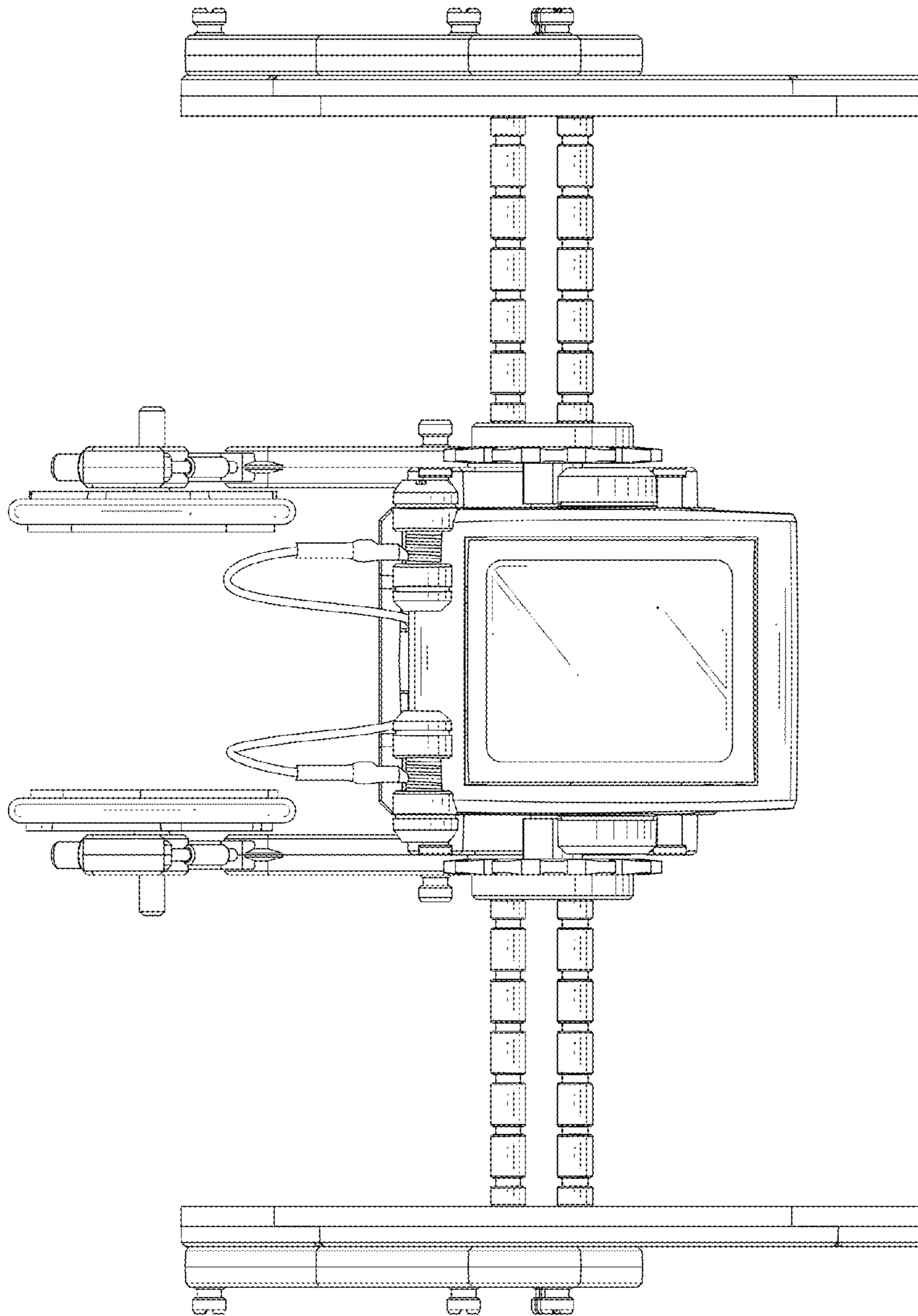


FIG.6

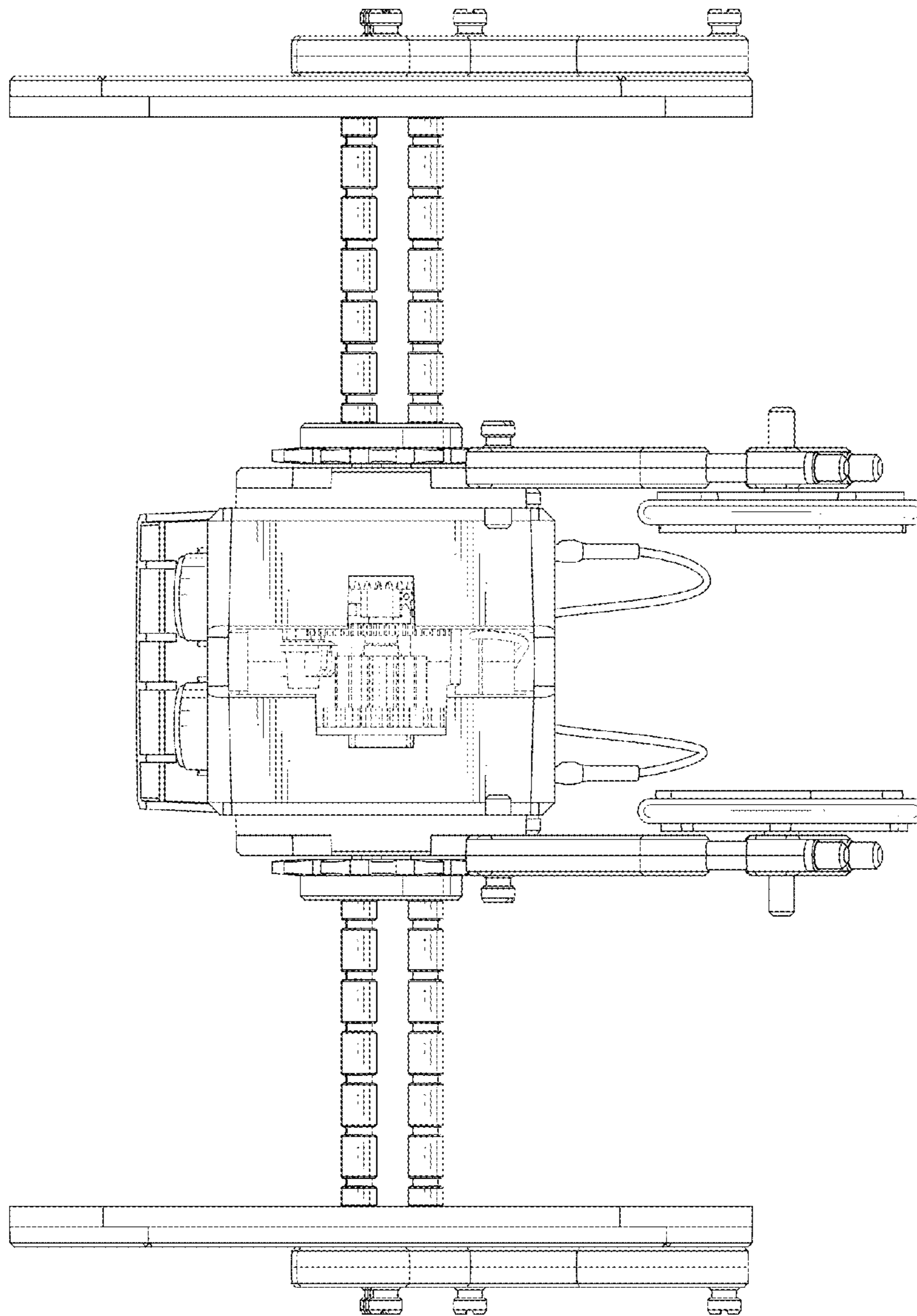


FIG.7

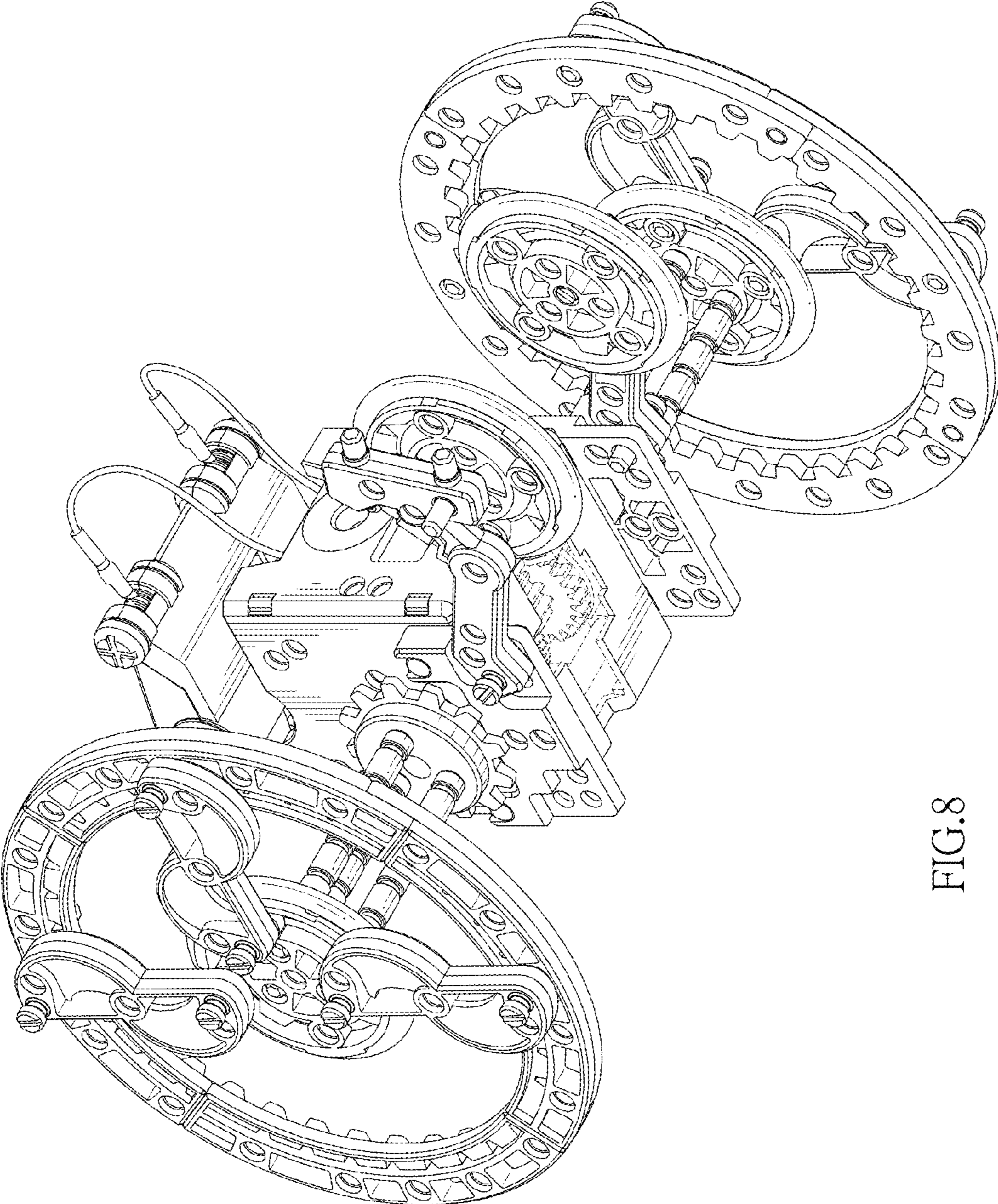


FIG.8