



US00D711478S

(12) **United States Design Patent**
Fittingoff et al.

(10) **Patent No.:** **US D711,478 S**

(45) **Date of Patent:** **** Aug. 19, 2014**

(54) **BOARD GAME TILE**

(71) Applicant: **The Blocks Project LLC**, Thousand Oaks, CA (US)

(72) Inventors: **Ian Fittingoff**, Thousand Oaks, CA (US); **Vincent Paul Iannone**, Richmond, CA (US)

(73) Assignee: **The Blocks Project LLC**, Thousand Oaks, CA (US)

(**) Term: **14 Years**

(21) Appl. No.: **29/484,598**

(22) Filed: **Mar. 11, 2014**

(51) **LOC (10) Cl.** **21-01**

(52) **U.S. Cl.**
USPC **D21/385**

(58) **Field of Classification Search**
USPC D21/307–308, 334–368, 376–397;
273/236–287, 288–291; D10/113.3;
D13/102

See application file for complete search history.

(56) **References Cited**

U.S. PATENT DOCUMENTS

D49,174 S *	6/1916	Burkhardt	D21/391
D168,085 S *	11/1952	Bamford	D21/363
D594,910 S *	6/2009	Bloomer	D21/334
D653,611 S *	2/2012	Lee et al.	D13/102

D665,689 S *	8/2012	Mettler et al.	D10/113.3
D685,663 S *	7/2013	Kulkarni et al.	D10/113.3
D685,664 S *	7/2013	Kulkarni et al.	D10/113.3
D685,665 S *	7/2013	Kulkarni et al.	D10/113.3

* cited by examiner

Primary Examiner — George D Kirschbaum

(74) *Attorney, Agent, or Firm* — SoCal IP Law Group LLP; Mark A. Goldstein; M. Kala Sarvaiya

(57) **CLAIM**

The ornamental design for a board game tile, as shown and described.

DESCRIPTION

A portion of the disclosure of this patent document contains material which is subject to copyright protection. This patent document may show and/or describe matter which is or may become trade dress of the owner. The copyright and trade dress owner has no objection to the facsimile reproduction by anyone of the patent disclosure as it appears in the Patent and Trademark Office patent files or records, but otherwise reserves all copyright and trade dress rights whatsoever.

This patent is related to U.S. Design application Ser. No. 29/484,591, titled, "Board Game Tier", filed Mar. 11, 2014.

FIG. 1 is a perspective view of a board game tile.

FIG. 2 is a front side elevation view thereof.

FIG. 3 is a rear side elevation view thereof.

FIG. 4 is a top plan view thereof.

FIG. 5 is a bottom plan view thereof.

FIG. 6 is a right side elevation view thereof; and,

FIG. 7 is a left side elevation view thereof.

1 Claim, 2 Drawing Sheets

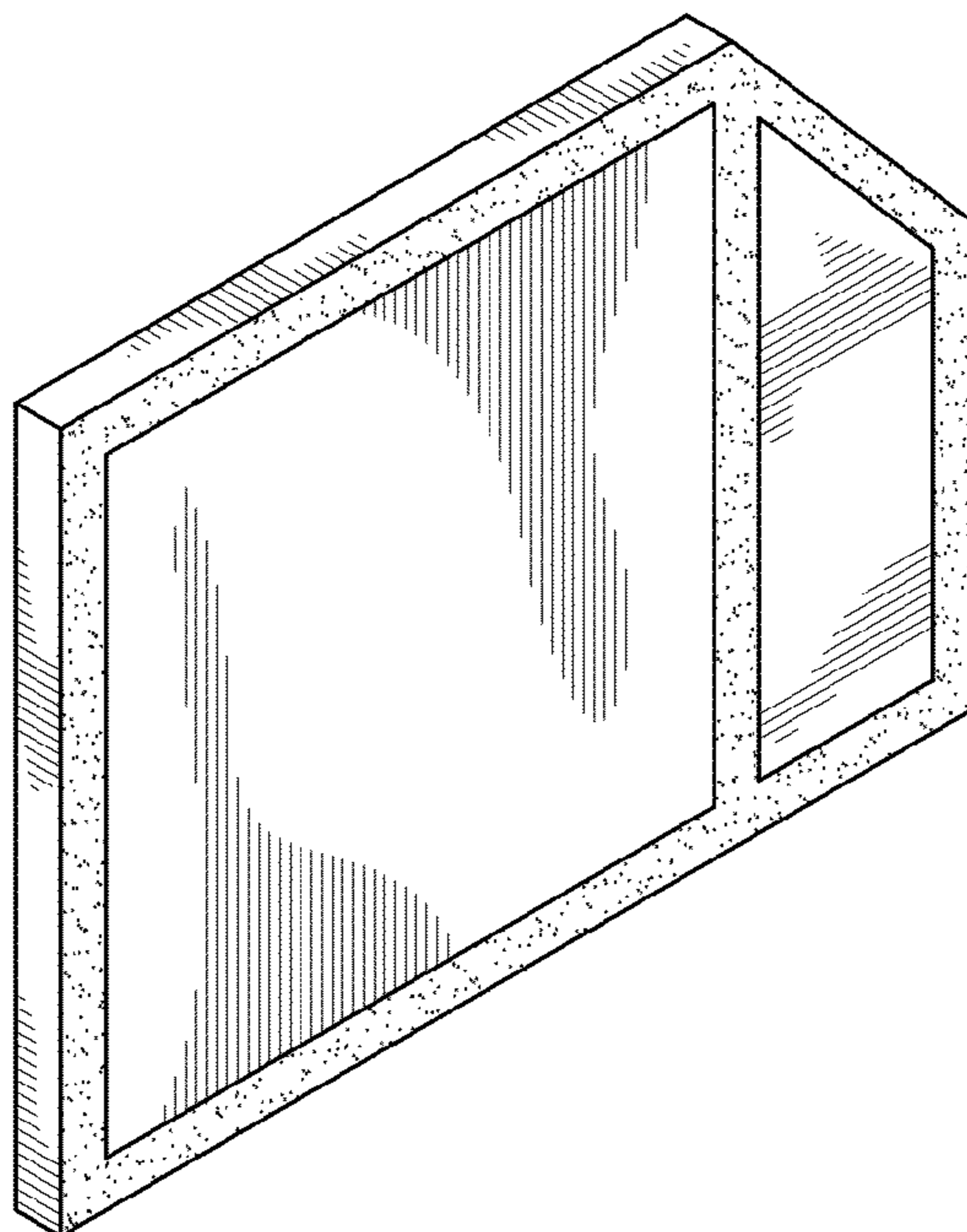


FIG. 1

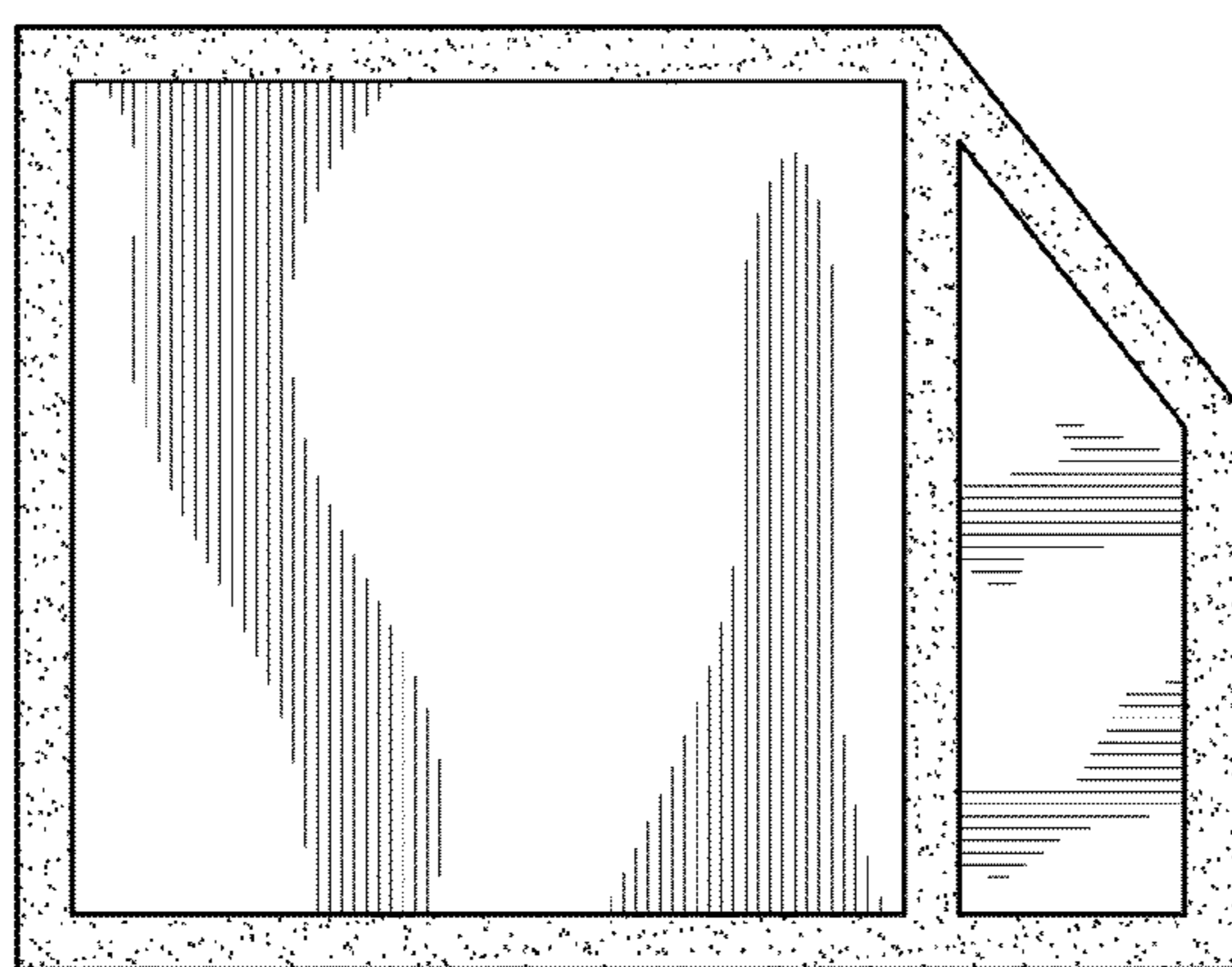
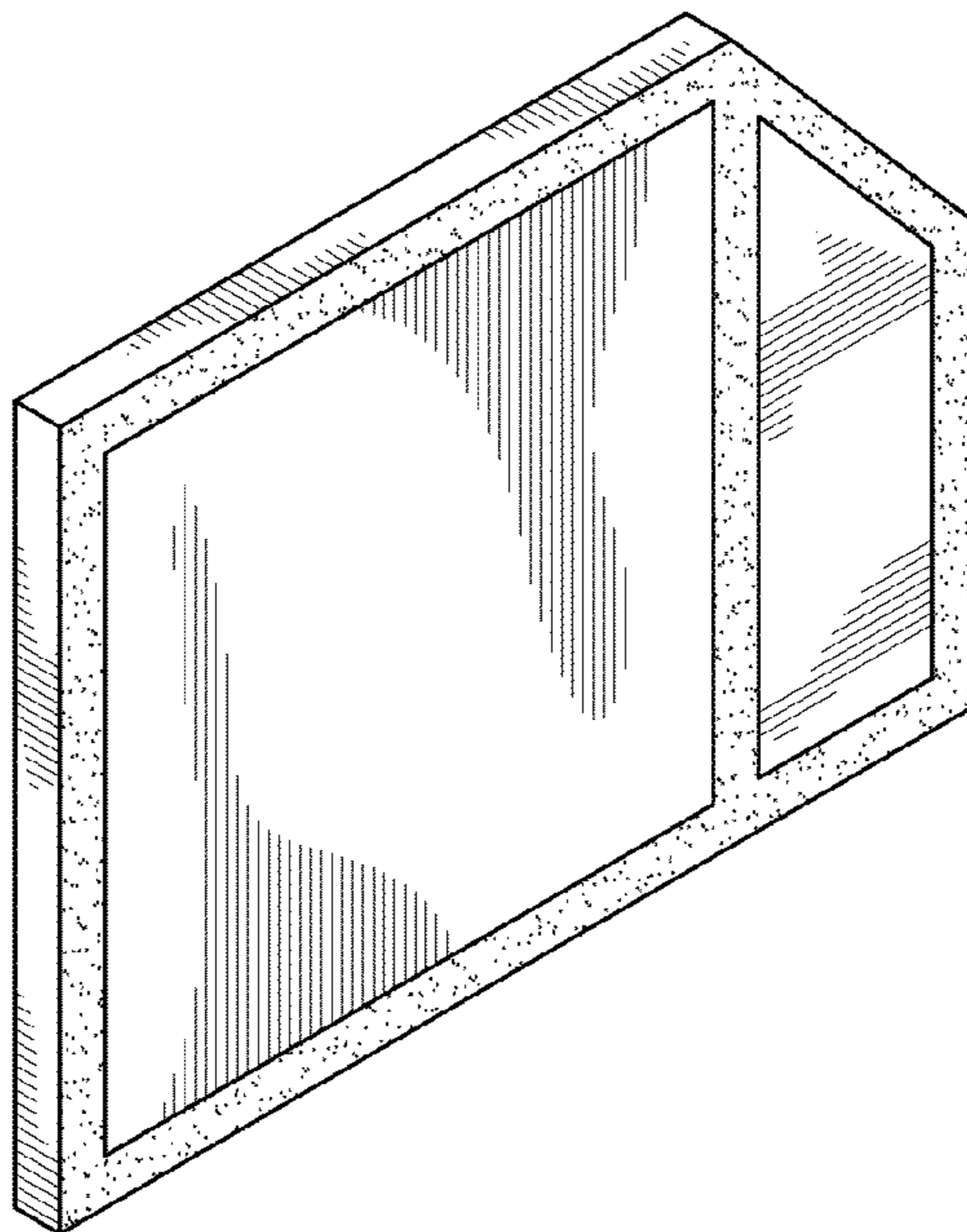


FIG. 2

FIG. 3

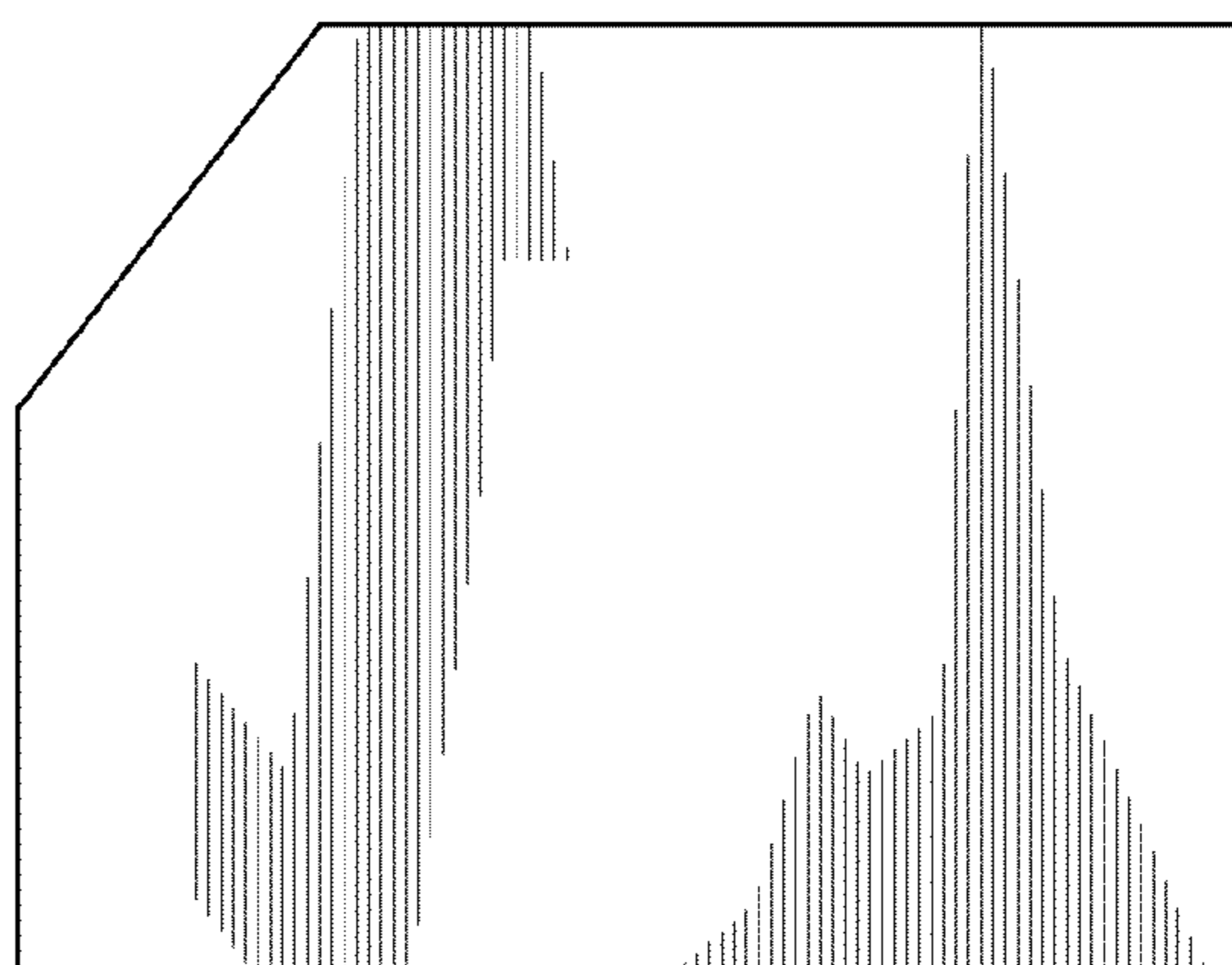


FIG. 4



FIG. 5



FIG. 6



FIG. 7