



US00D711475S

(12) **United States Design Patent**
Dixon

(10) **Patent No.:** **US D711,475 S**

(45) **Date of Patent:** **** Aug. 19, 2014**

(54) **GAME BOARD**

(71) Applicant: **Joseph Prentice Dixon**, Oakland, CA
(US)

(72) Inventor: **Joseph Prentice Dixon**, Oakland, CA
(US)

(**) Term: **14 Years**

(21) Appl. No.: **29/471,953**

(22) Filed: **Nov. 6, 2013**

(51) **LOC (10) Cl.** **21-01**

(52) **U.S. Cl.**
USPC **D21/341**

(58) **Field of Classification Search**
USPC D21/307-308, 334-368, 376-397;
273/236-287, 288-291

See application file for complete search history.

(56) **References Cited**

U.S. PATENT DOCUMENTS

3,711,099	A *	1/1973	Milu	273/123 R
D265,415	S *	7/1982	Bighaus	D21/784
D279,400	S *	6/1985	Dunn et al.	D21/783
D348,298	S *	6/1994	Fitzhugh	D21/784

* cited by examiner

Primary Examiner — George D Kirschbaum

(74) *Attorney, Agent, or Firm* — Sawyer Law Group, P.C.

(57) **CLAIM**

The ornamental design for a game board, as shown.

DESCRIPTION

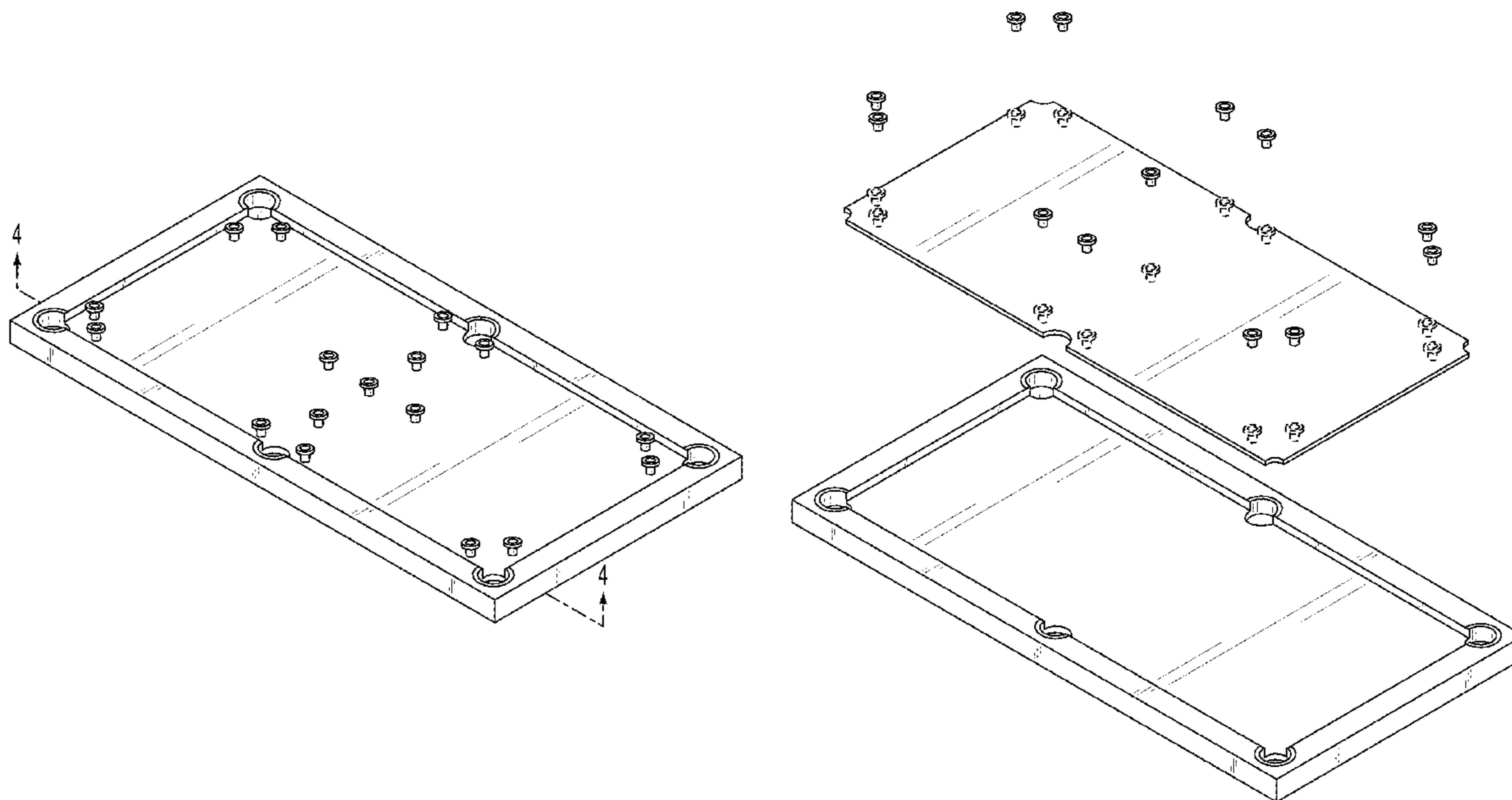
FIG. 1 is a perspective view of a game board showing my new design;

FIG. 2 is a top view thereof;

FIG. 3 is an exploded view thereof; and,

FIG. 4 is a side view thereof.

1 Claim, 4 Drawing Sheets



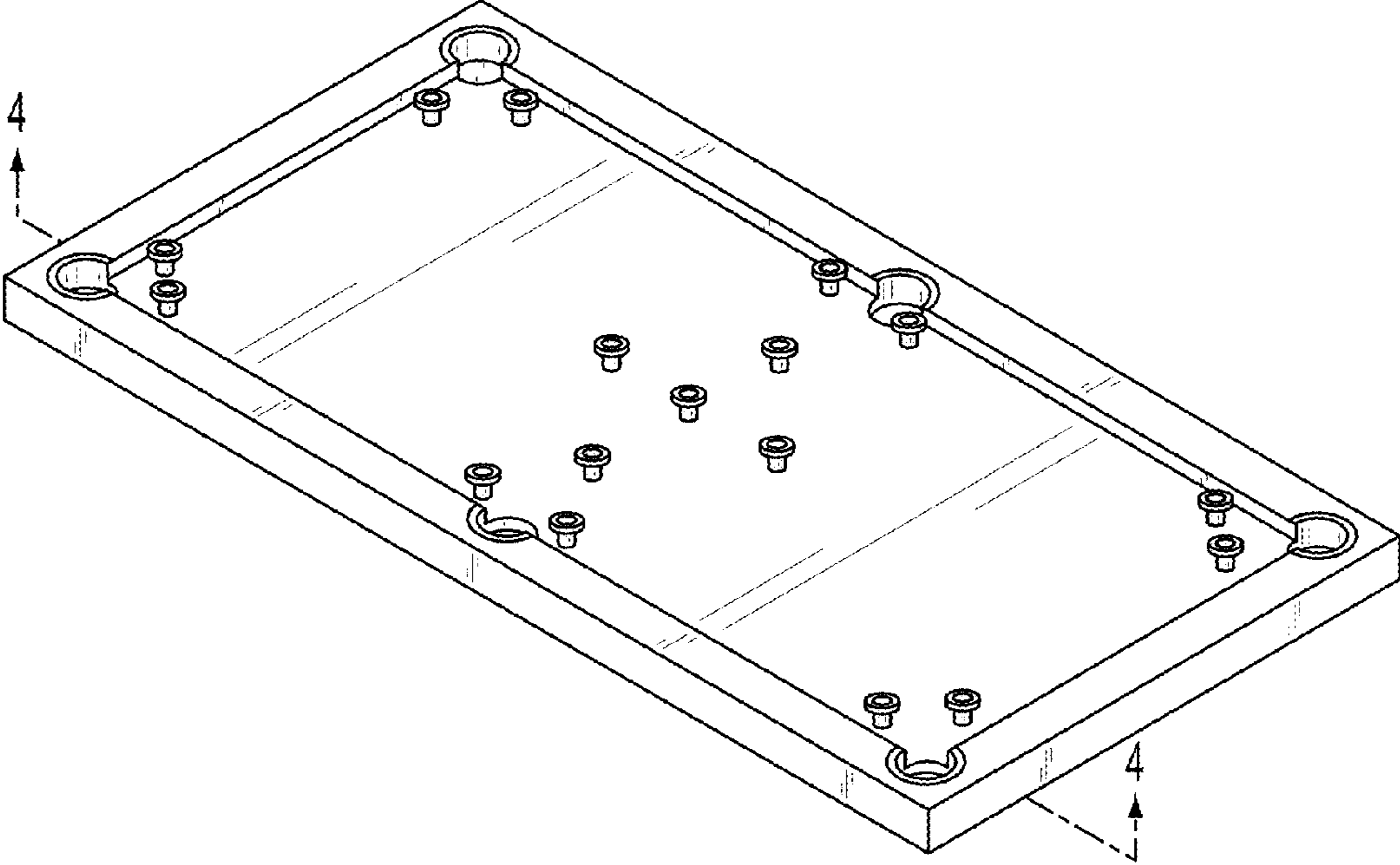


FIG. 1

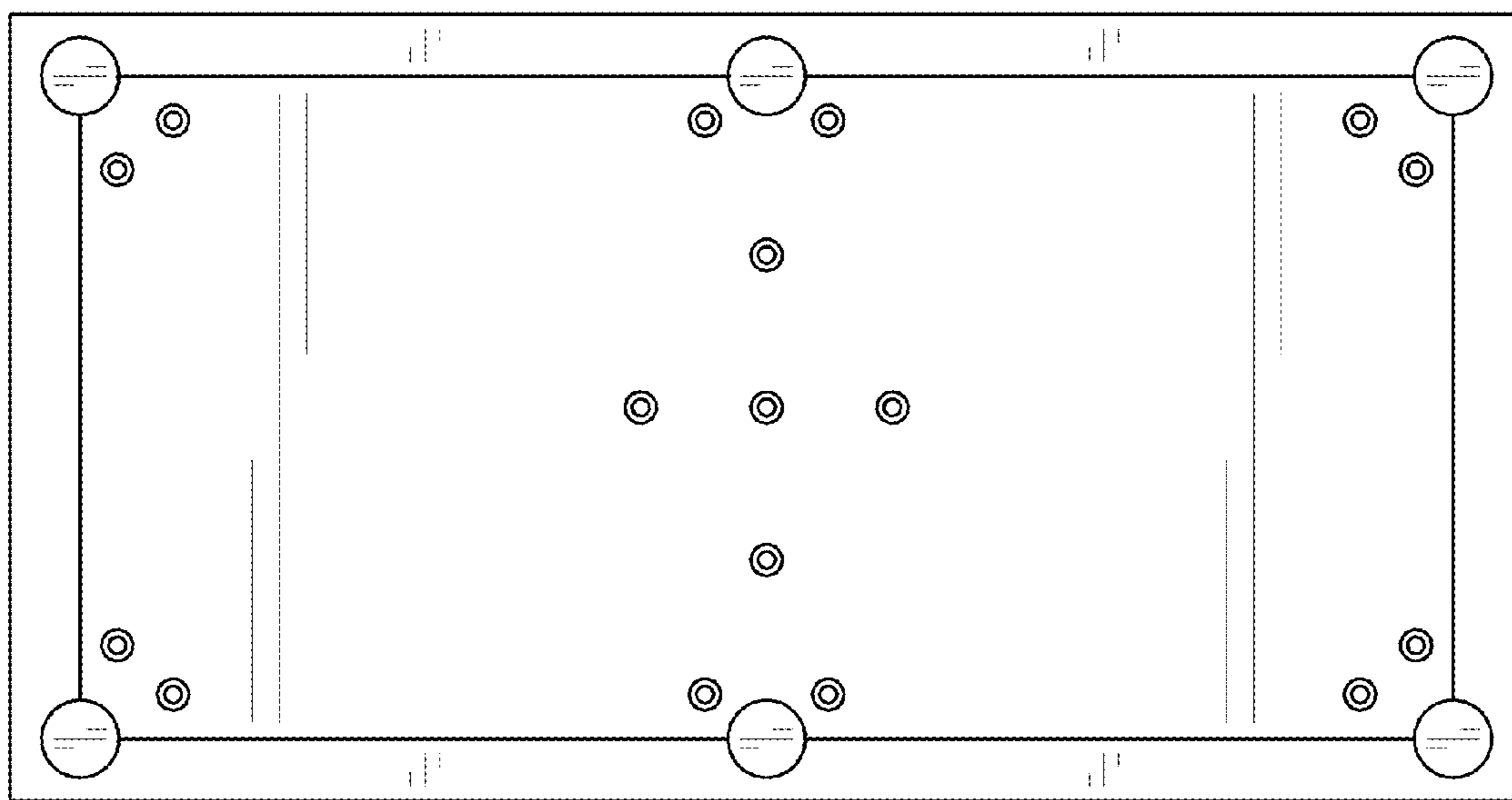


FIG. 2

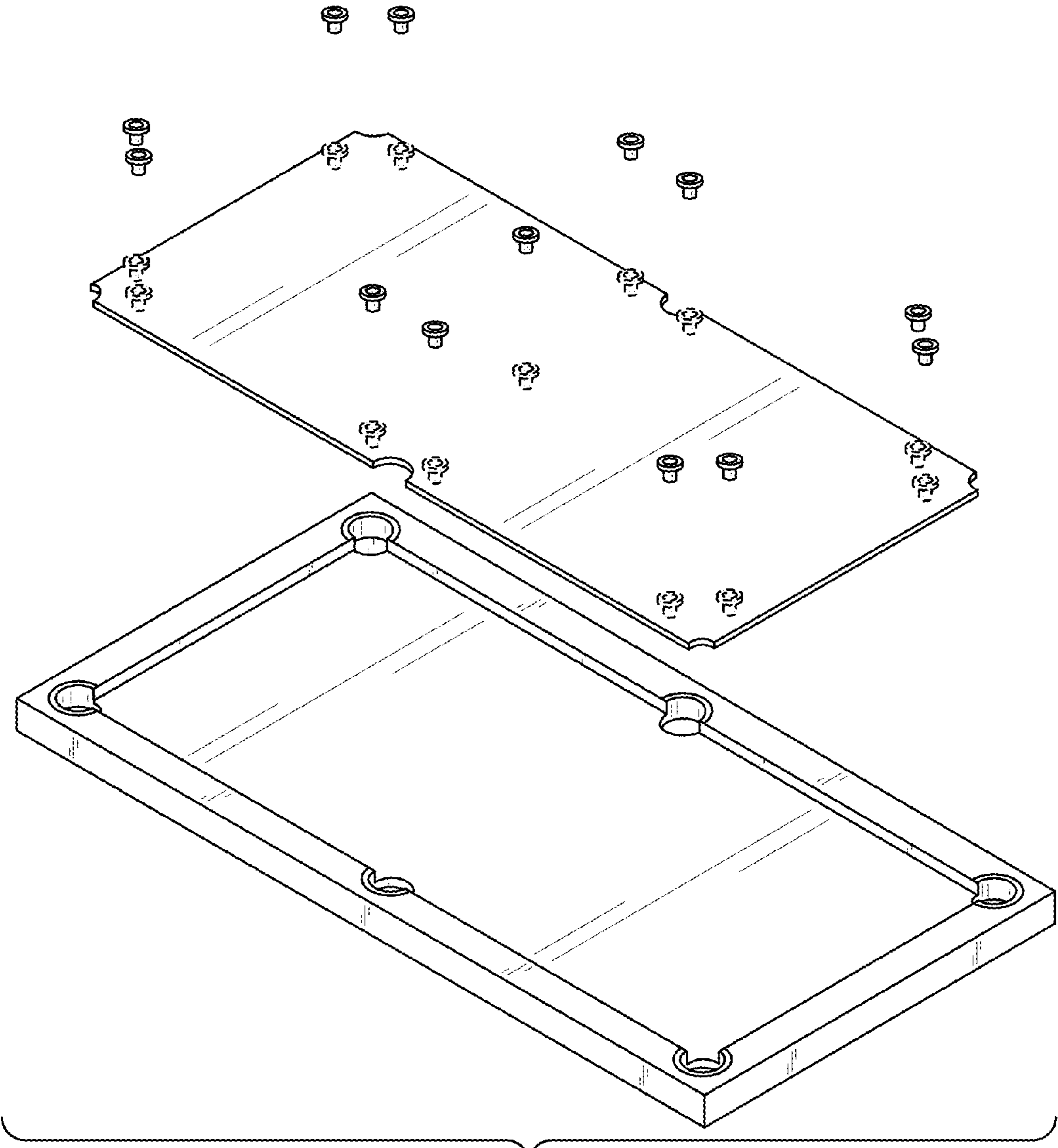


FIG. 3

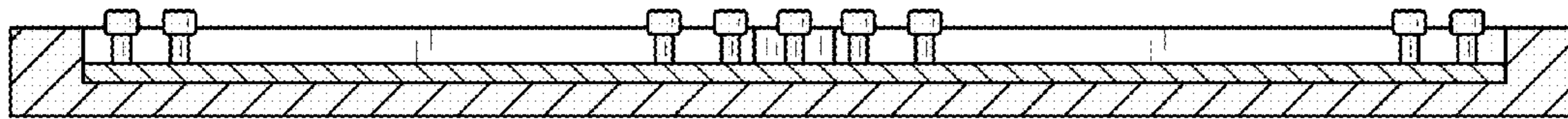


FIG. 4