



US00D711473S

(12) **United States Design Patent**
Giglio et al.

(10) **Patent No.:** **US D711,473 S**

(45) **Date of Patent:** **** Aug. 19, 2014**

(54) **GAMING WALL**

(71) Applicants: **James Giglio**, Philadelphia, PA (US);
Anthony DiPrizio, Wilmington, NC (US)

(72) Inventors: **James Giglio**, Philadelphia, PA (US);
Anthony DiPrizio, Wilmington, NC (US)

(73) Assignee: **MVP Interactive, LLC**, Philadelphia, PA (US)

(**) Term: **14 Years**

(21) Appl. No.: **29/457,457**

(22) Filed: **Jun. 10, 2013**

(51) **LOC (10) Cl.** **21-01**

(52) **U.S. Cl.**
USPC **D21/329**

(58) **Field of Classification Search**
USPC D21/324, 328, 332, 369; D14/496, 425;
273/148 B; 461/1, 16-20, 40, 32;
359/443; 345/156, 903
See application file for complete search history.

(56) **References Cited**

U.S. PATENT DOCUMENTS

4,856,787 A * 8/1989 Itkis 273/237
D348,487 S * 7/1994 Bahlijanakis D21/329

5,951,015 A * 9/1999 Smith et al. 273/358
D451,558 S * 12/2001 Sano D21/333
D475,091 S * 5/2003 Tsuda D21/333
D558,833 S * 1/2008 Itskov et al. D21/329
D564,033 S * 3/2008 Itskov et al. D21/329
D623,699 S * 9/2010 Itskov et al. D21/328
D642,625 S * 8/2011 Assa D21/329
8,109,821 B2 * 2/2012 Kovacs et al. 463/16
8,403,740 B2 * 3/2013 Kovacs et al. 463/16
8,613,650 B2 * 12/2013 Kovacs et al. 463/16

* cited by examiner

Primary Examiner — Prabhakar Deshmukh

(74) *Attorney, Agent, or Firm* — Baker Hostetler LLP

(57) **CLAIM**

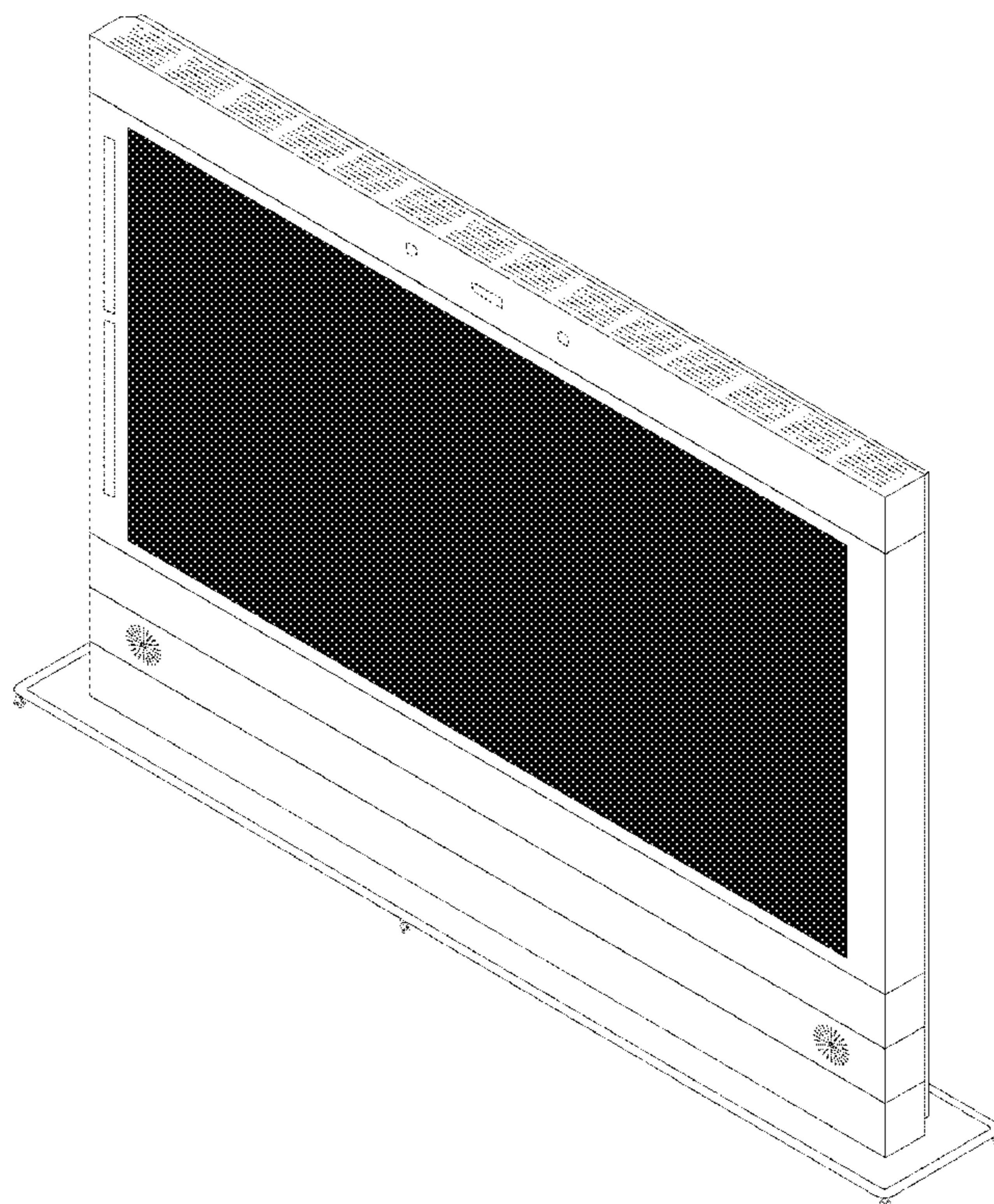
We claim the ornamental design for a gaming wall, as shown and described.

DESCRIPTION

FIG. 1 is a front, top, right perspective view of a gaming wall according to one embodiment of my design;
FIG. 2 is a front elevation view thereof;
FIG. 3 is a rear elevation view thereof;
FIG. 4 is a right side elevation view thereof;
FIG. 5 is a left side elevation view thereof;
FIG. 6 is a top plan view thereof; and,
FIG. 7 is a bottom plan view thereof.

The broken line portion of the figure drawings is included to show unclaimed subject matter only for the purpose of illustrating environment and forms no part of the claimed design.

1 Claim, 7 Drawing Sheets



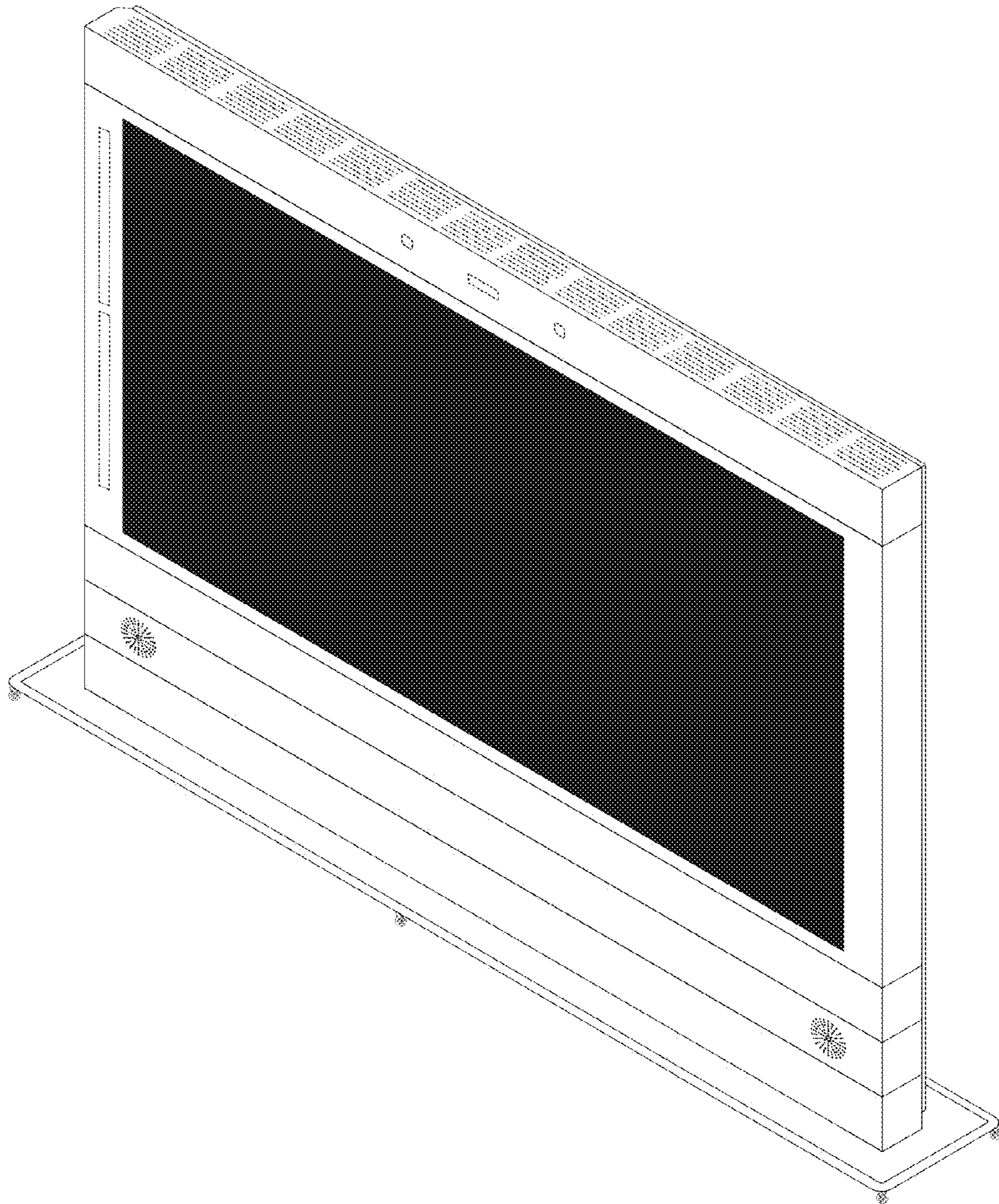


FIG. 1

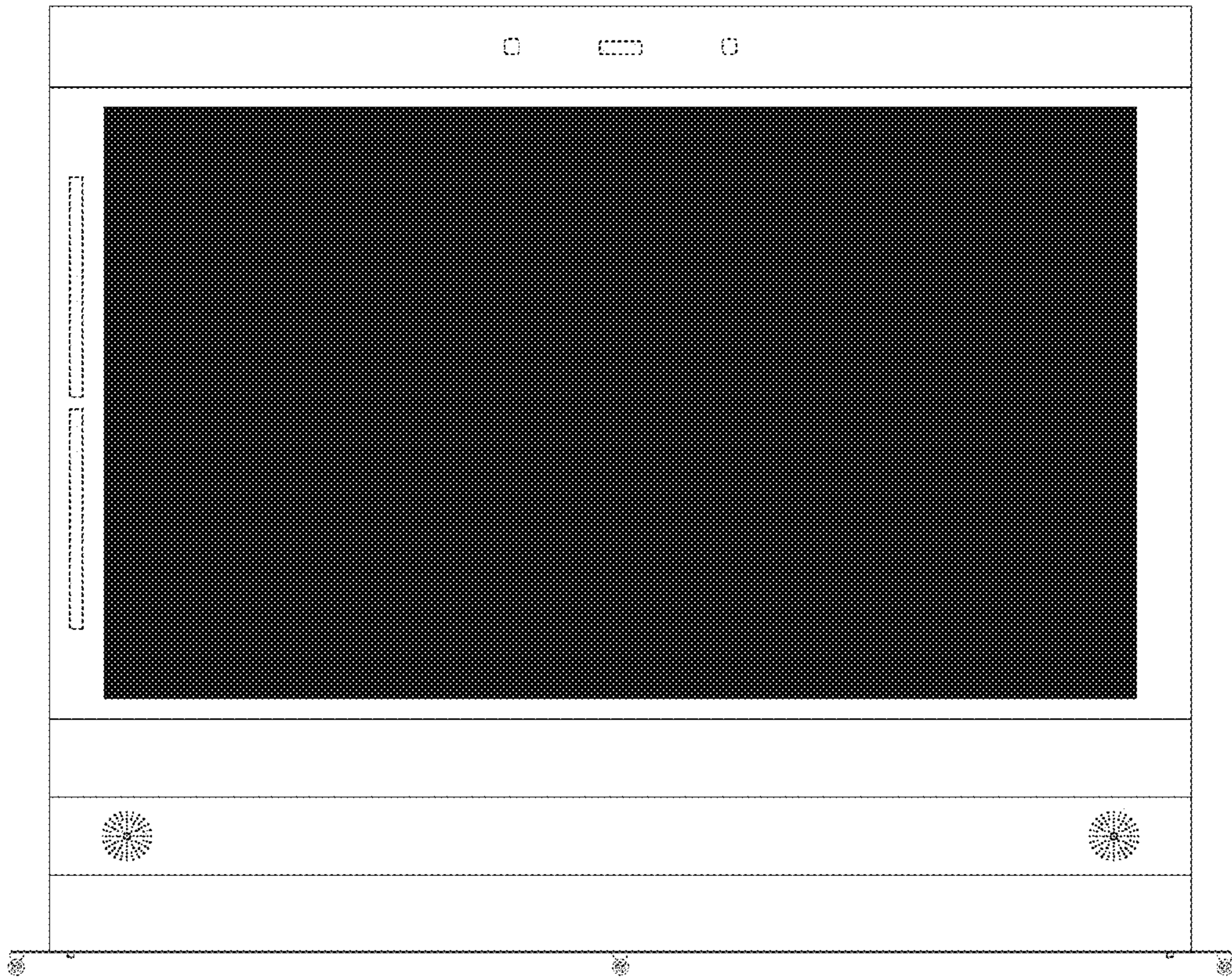


FIG. 2

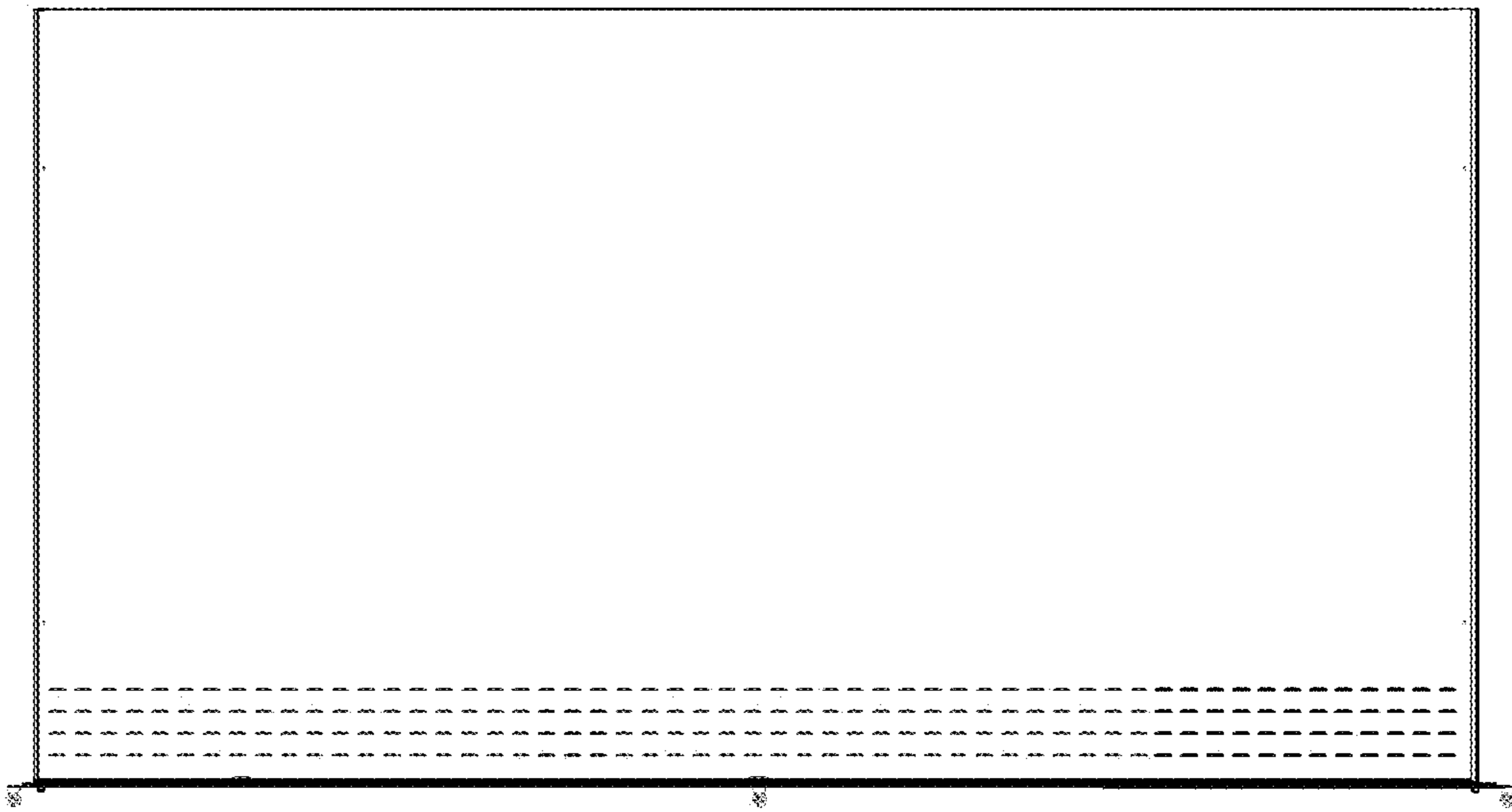


FIG. 3

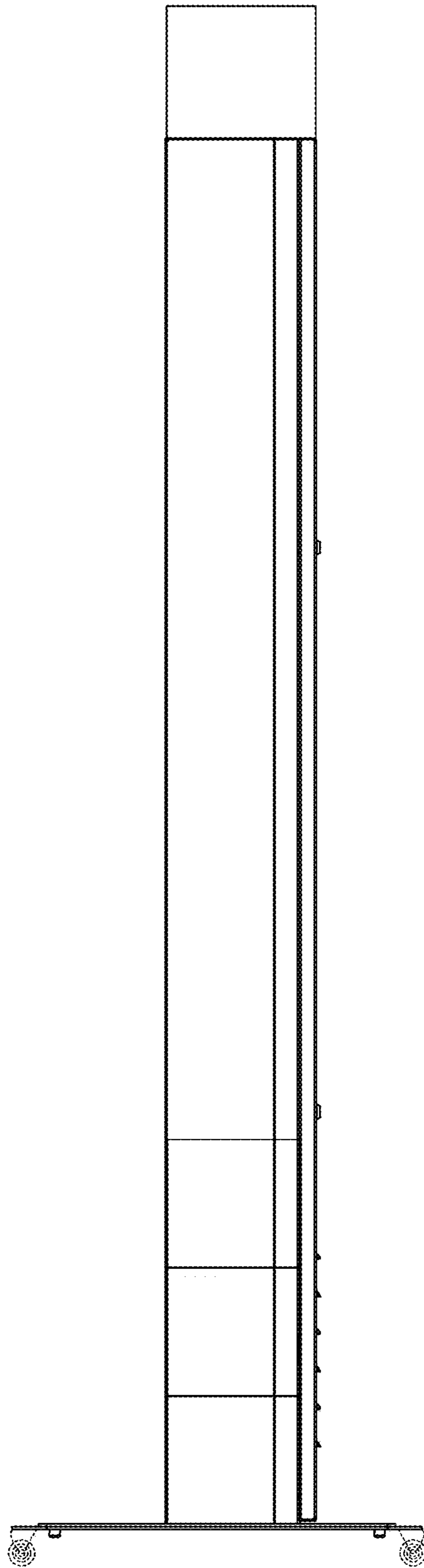


FIG. 4

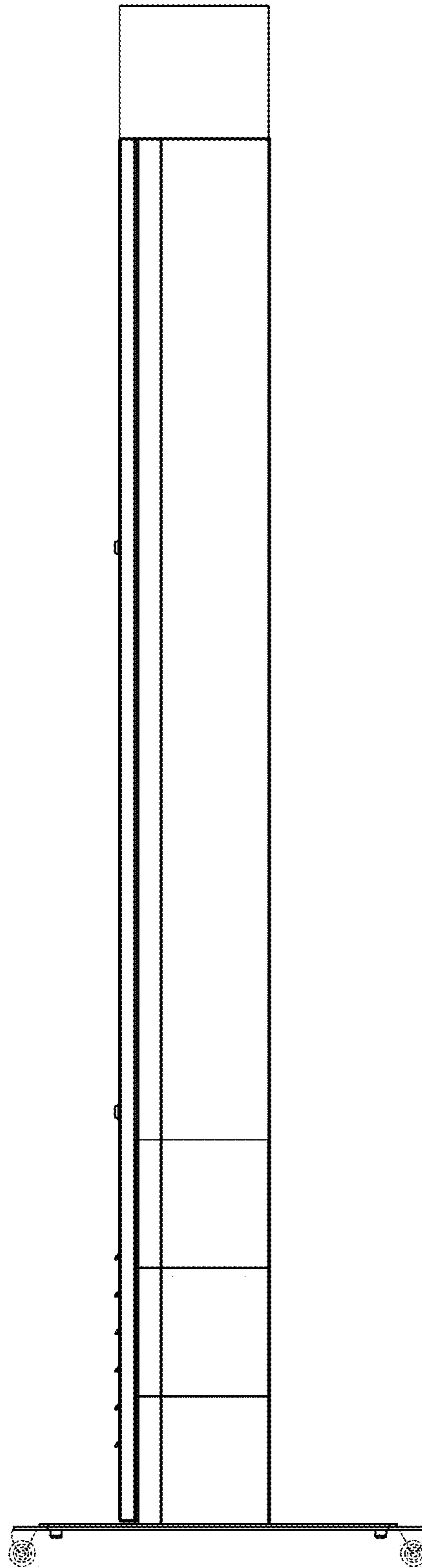


FIG. 5

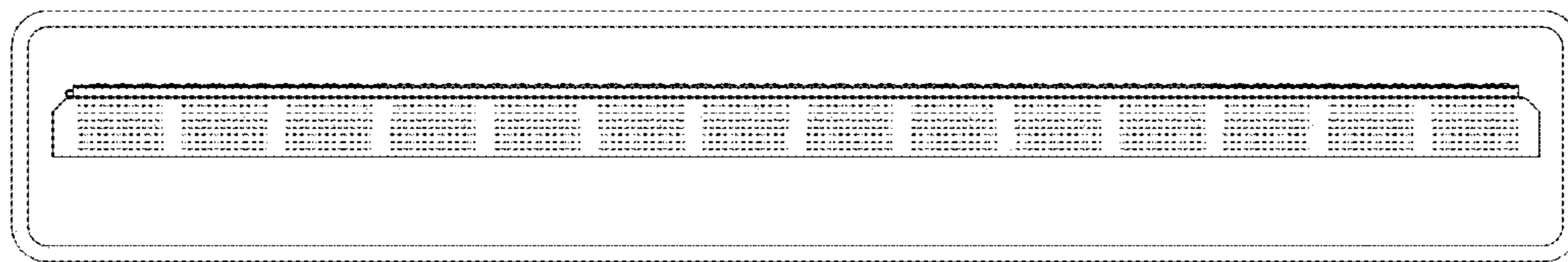


FIG. 6

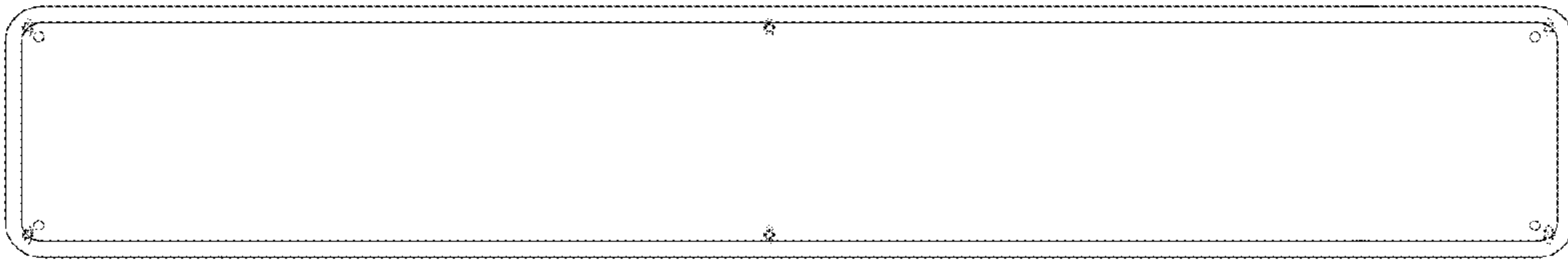


FIG. 7