



US00D711471S

(12) **United States Design Patent**  
**Morimoto**

(10) **Patent No.:** **US D711,471 S**

(45) **Date of Patent:** **\*\* Aug. 19, 2014**

(54) **MARKING PEN**

(71) Applicant: **Makiko Morimoto**, Nara (JP)

(72) Inventor: **Makiko Morimoto**, Nara (JP)

(73) Assignee: **Kuretake Co., Ltd.**, Nara (JP)

(\*\*) Term: **14 Years**

(21) Appl. No.: **29/447,209**

(22) Filed: **Mar. 1, 2013**

(30) **Foreign Application Priority Data**

Nov. 15, 2012 (JP) ..... 2012-027945

Nov. 15, 2012 (JP) ..... 2012-027946

Nov. 15, 2012 (JP) ..... 2012-027947

(51) **LOC (10) Cl.** ..... **19-06**

(52) **U.S. Cl.**  
USPC ..... **D19/200**

(58) **Field of Classification Search**

CPC ..... B43K 1/12; B43K 8/024; A45D 34/04;  
B65D 47/42

USPC ..... D14/411; D19/115-186, 192-204;  
24/11 F, 11 P, 11 R; 401/52, 99-104,  
401/192, 195, 196, 198, 261, 264, 266

See application file for complete search history.

(56) **References Cited**

**U.S. PATENT DOCUMENTS**

1,924,337 A \* 8/1933 Troupa ..... 15/244.1

1,942,283 A \* 1/1934 Hale ..... 15/105.51

2,217,439 A \* 10/1940 Fuller ..... 15/188

|                   |         |                      |          |
|-------------------|---------|----------------------|----------|
| 2,219,909 A *     | 10/1940 | Schlicker .....      | 132/317  |
| 3,887,287 A *     | 6/1975  | Rosh, Jr. ....       | 401/35   |
| D276,479 S *      | 11/1984 | Mori .....           | D3/208   |
| 4,652,163 A *     | 3/1987  | Karliner et al. .... | 401/195  |
| 5,123,764 A *     | 6/1992  | Duncan et al. ....   | 401/10   |
| 5,765,407 A *     | 6/1998  | Choo et al. ....     | 68/214   |
| 7,503,716 B2 *    | 3/2009  | Herrmann et al. .... | 401/52   |
| 7,886,898 B2 *    | 2/2011  | Tsakiris .....       | 206/77.1 |
| D669,530 S *      | 10/2012 | Hung .....           | D19/41   |
| D669,536 S *      | 10/2012 | Hung .....           | D19/55   |
| 8,303,202 B1 *    | 11/2012 | Garcia .....         | 401/52   |
| 2010/0021228 A1 * | 1/2010  | Yamamoto et al. .... | 401/196  |
| 2011/0286783 A1 * | 11/2011 | Harden .....         | 401/175  |
| 2012/0160261 A1 * | 6/2012  | Harden .....         | 132/311  |

\* cited by examiner

*Primary Examiner* — Elizabeth Albert

(74) *Attorney, Agent, or Firm* — Andrew F. Young, Esq.;  
Lackebach Siegel, LLP

(57) **CLAIM**

The ornamental design for a marking pen, as shown and described.

**DESCRIPTION**

FIG. 1 is a front perspective view of a marking pen showing my new design.

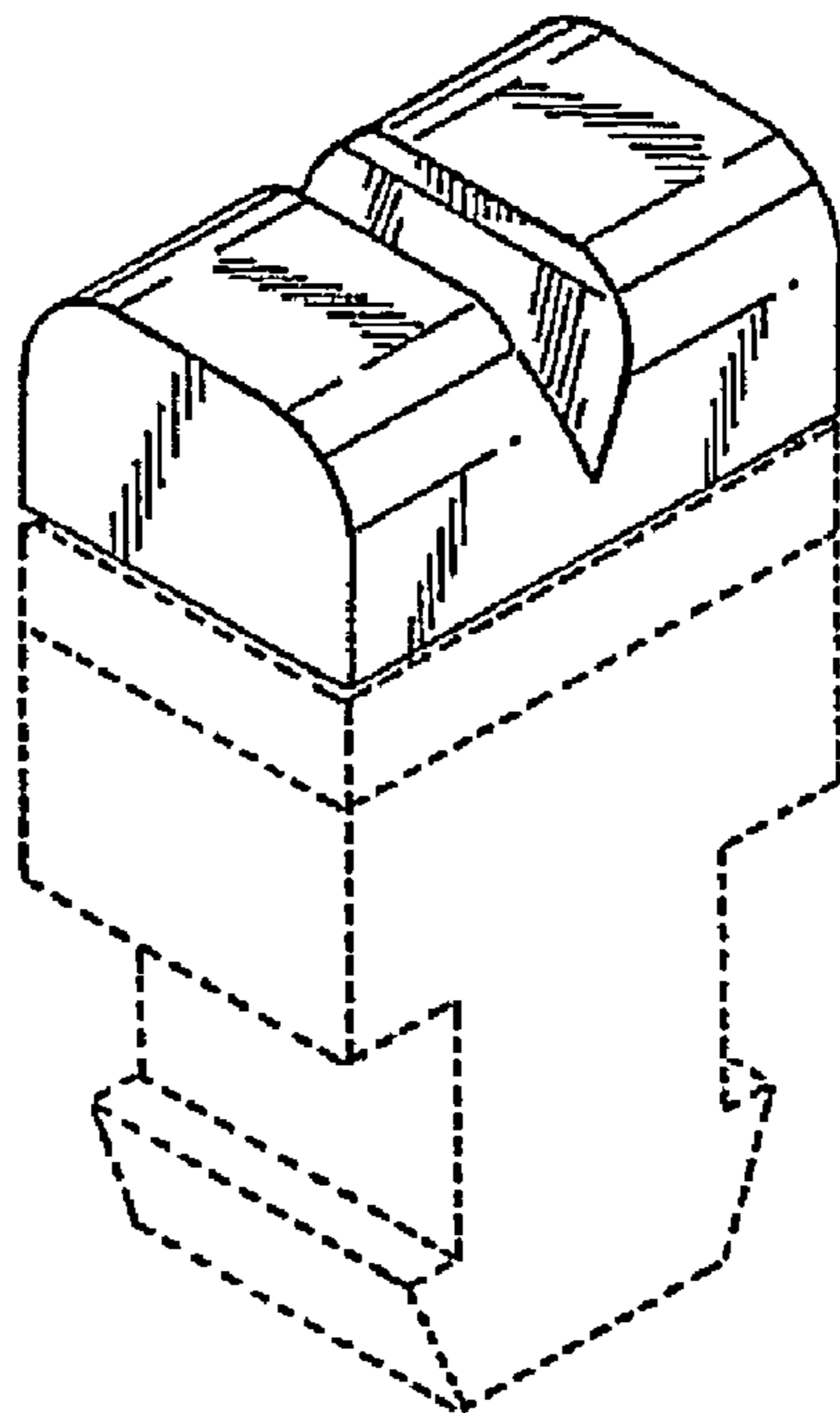
FIG. 2 is a front elevation view of FIG. 1, a back elevation view being a mirror image thereof.

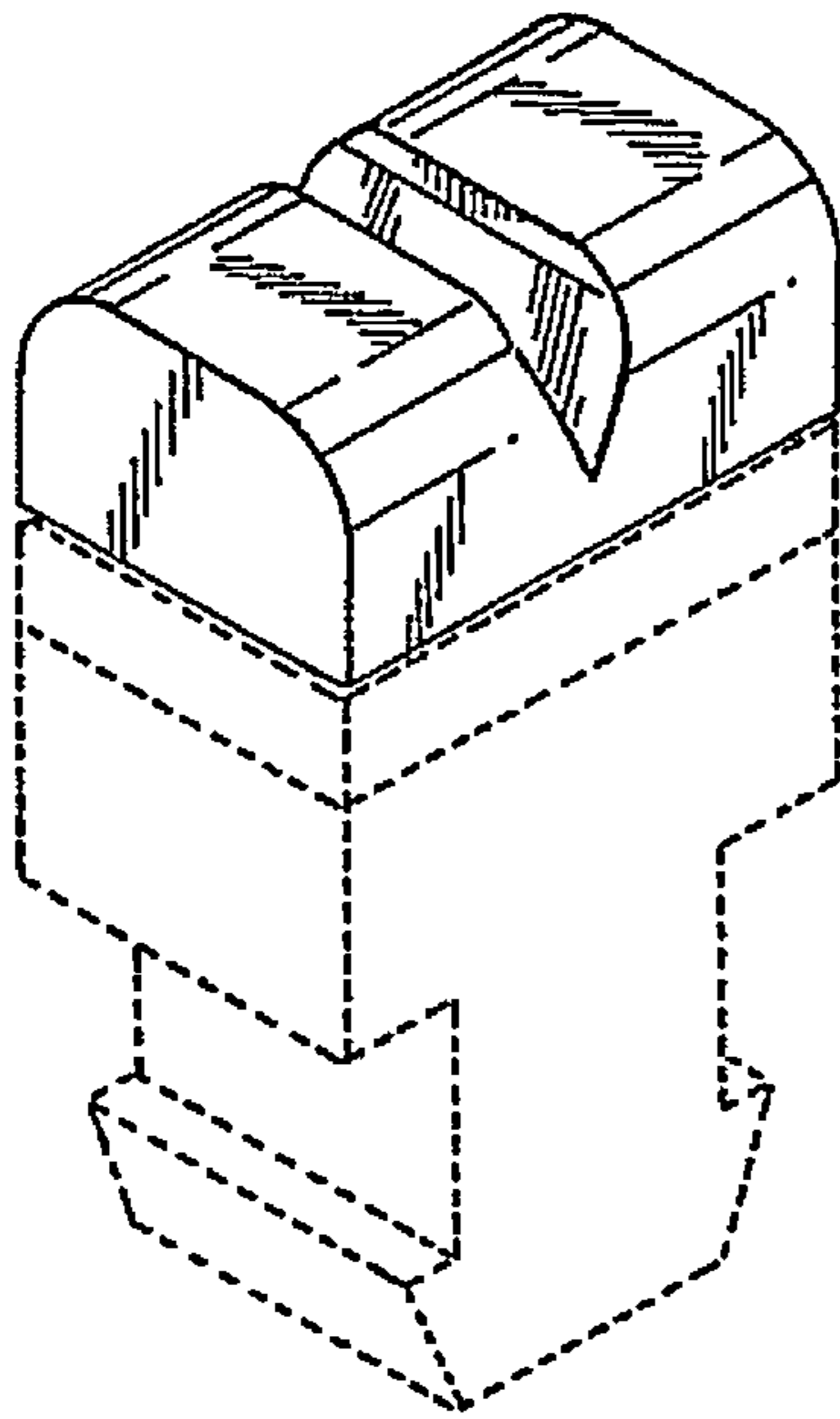
FIG. 3 is a left side elevation view of FIG. 1, a right side elevation view being a mirror image thereof; and,

FIG. 4 is a top plan view of FIG. 1.

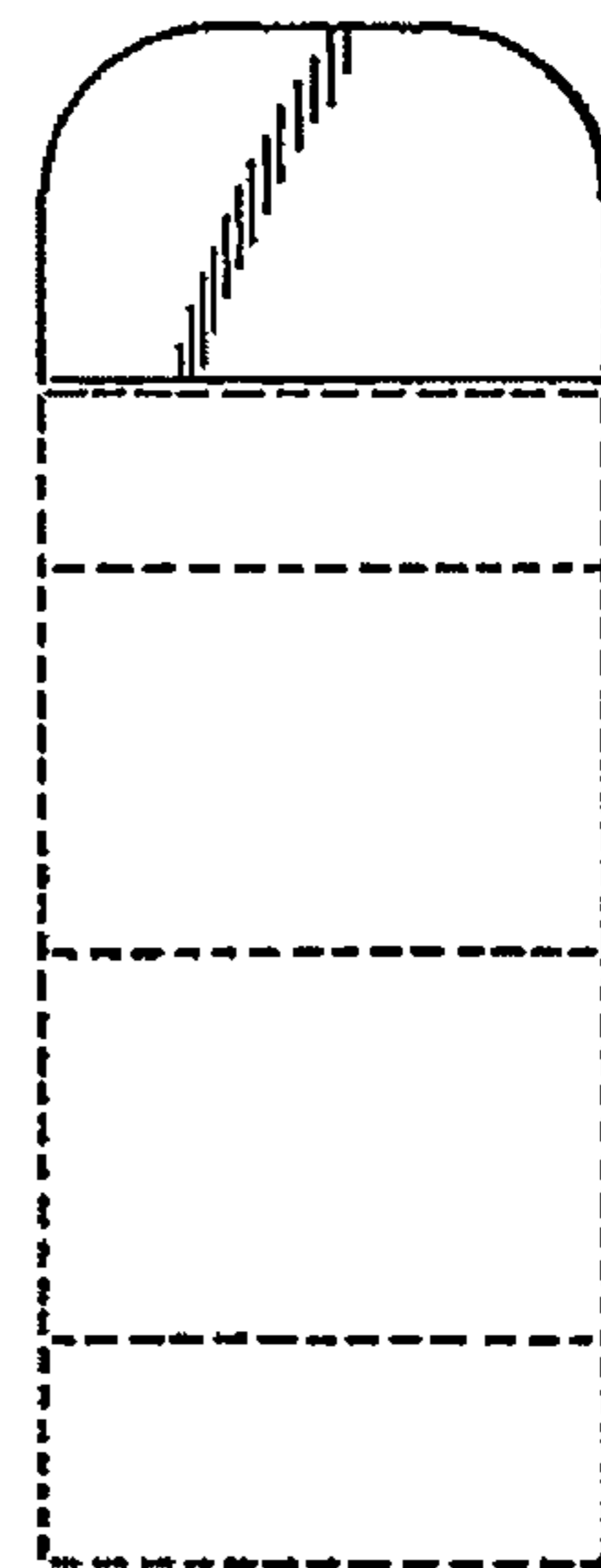
The broken lines in the drawings are included to show portions of the marking pen that form no part of the claimed design.

**1 Claim, 1 Drawing Sheet**

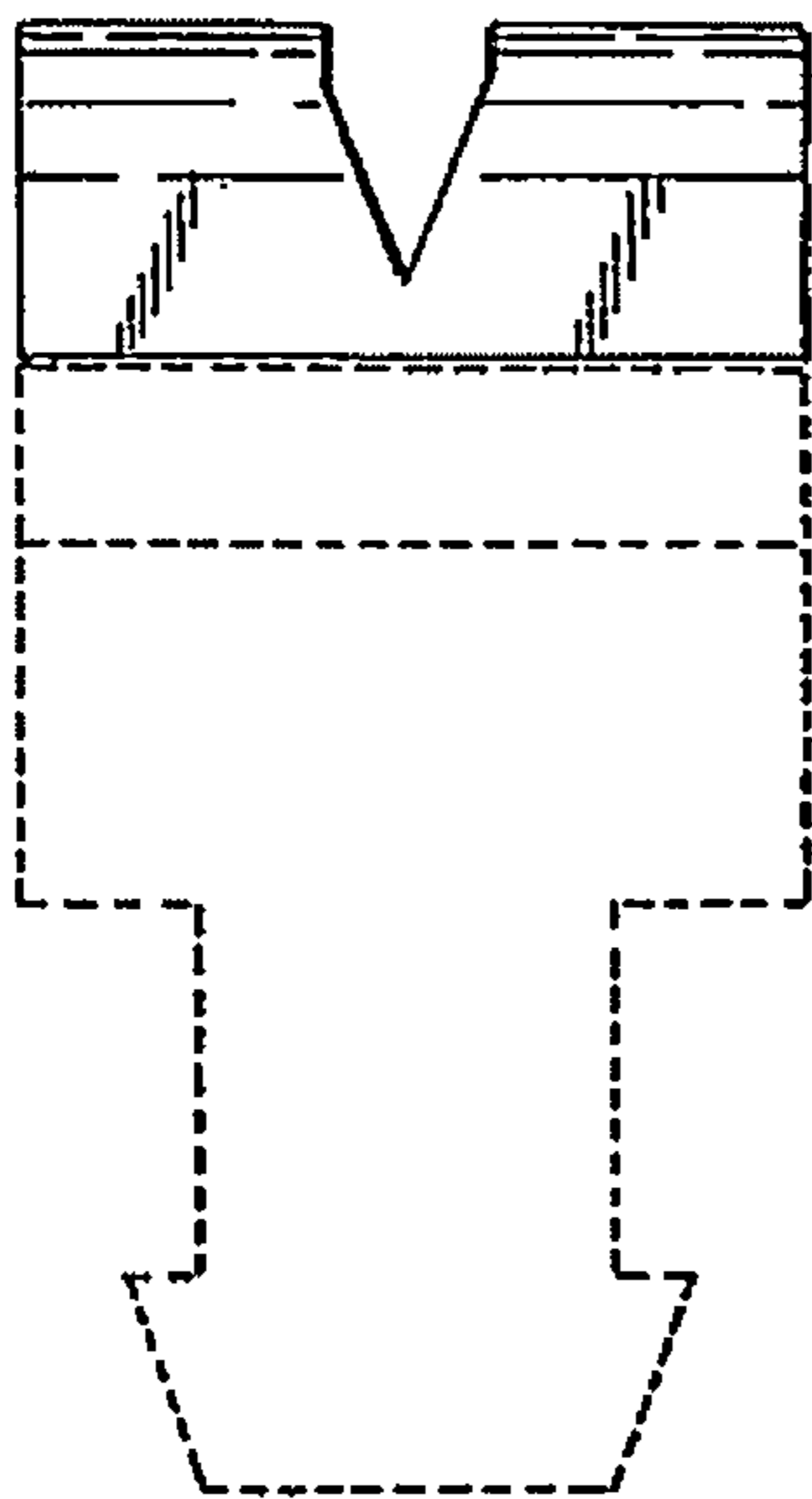




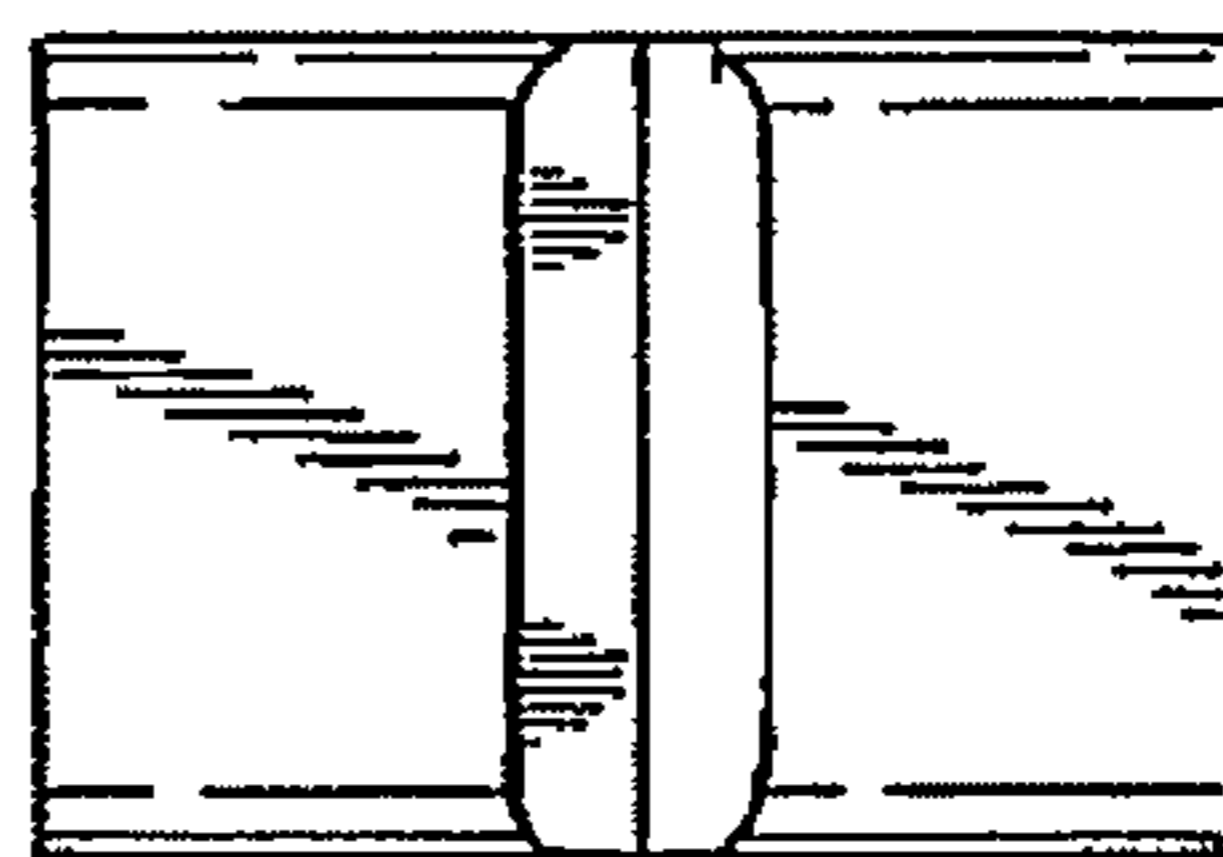
**Fig. 1**



**Fig. 3**



**Fig. 2**



**Fig. 4**