



US00D711470S

(12) **United States Design Patent**
Santini

(10) **Patent No.:** **US D711,470 S**

(45) **Date of Patent:** **** Aug. 19, 2014**

(54) **WRITING INSTRUMENT**

(71) Applicant: **Premec S.A.**, Cadempino (CH)

(72) Inventor: **Sergio Santini**, Breganzona (CH)

(73) Assignee: **Premec, S.A.**, Cadempino (CH)

(**) Term: **14 Years**

(21) Appl. No.: **29/450,871**

(22) Filed: **Mar. 25, 2013**

(30) **Foreign Application Priority Data**

Sep. 25, 2012 (CH) 139270

(51) **LOC (10) Cl.** **19-06**

(52) **U.S. Cl.**
USPC **D19/169**

(58) **Field of Classification Search**

USPC D14/411; D19/115-186, 192, 194-197;
24/11 R, 11 F, 11 P; 401/99, 192, 195,
401/196

See application file for complete search history.

(56) **References Cited**

U.S. PATENT DOCUMENTS

D266,769 S * 11/1982 Camps D19/51
D345,578 S * 3/1994 Zier D19/48
D448,407 S * 9/2001 Huang D19/43
D467,970 S * 12/2002 Pellissa Beneyto D19/43

D545,366 S * 6/2007 Ternovits D19/51
D568,932 S * 5/2008 Qiu et al. D19/43
D584,354 S * 1/2009 Koch D19/48
D601,627 S * 10/2009 Liu D19/51
D605,695 S * 12/2009 Leibeck D19/43
D616,935 S * 6/2010 Zhang D19/48
D668,293 S * 10/2012 Chen D19/49
D670,289 S * 11/2012 Bae et al. D14/411
D688,304 S * 8/2013 Larson et al. D19/45
D694,324 S * 11/2013 Cambianica D19/186
D694,325 S * 11/2013 Cambianica D19/186
D694,326 S * 11/2013 Cambianica D19/186

* cited by examiner

Primary Examiner — Elizabeth Albert

(74) *Attorney, Agent, or Firm* — David I. Roche; Baker & McKenzie LLP

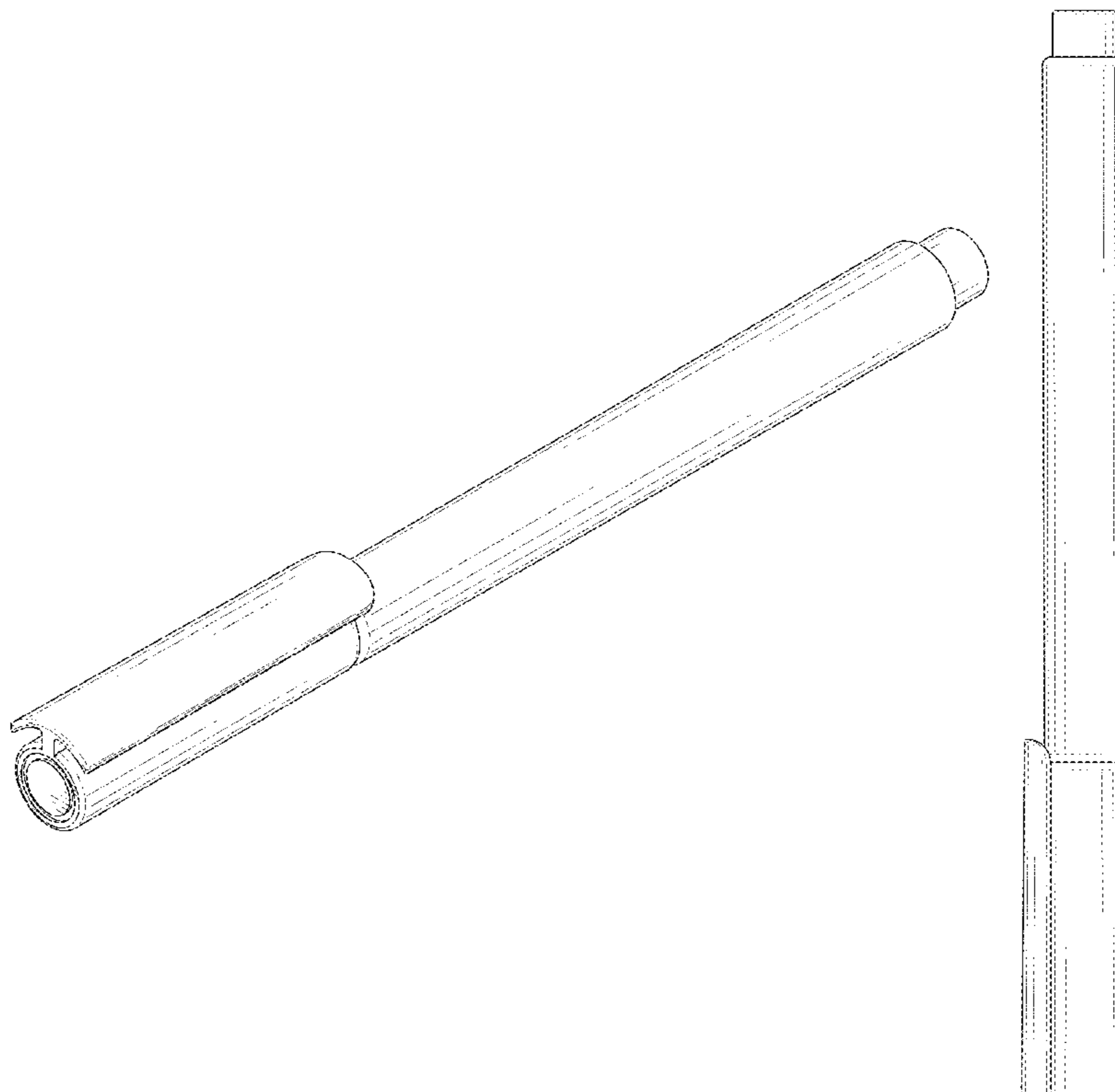
(57) **CLAIM**

The ornamental design for a writing instrument, as shown and described.

DESCRIPTION

FIG. 1 is a perspective view showing my new design;
FIG. 2 is a front elevational view thereof;
FIG. 3 is a rear elevational view thereof;
FIG. 4 is a first side elevational view thereof;
FIG. 5 is a second side elevational view thereof;
FIG. 6 is a top plan view thereof; and,
FIG. 7 is a bottom plan view thereof.
The broken line in FIG. 6 is included for the purpose of showing a portion of the writing instrument that forms no part of the claimed design.

1 Claim, 4 Drawing Sheets



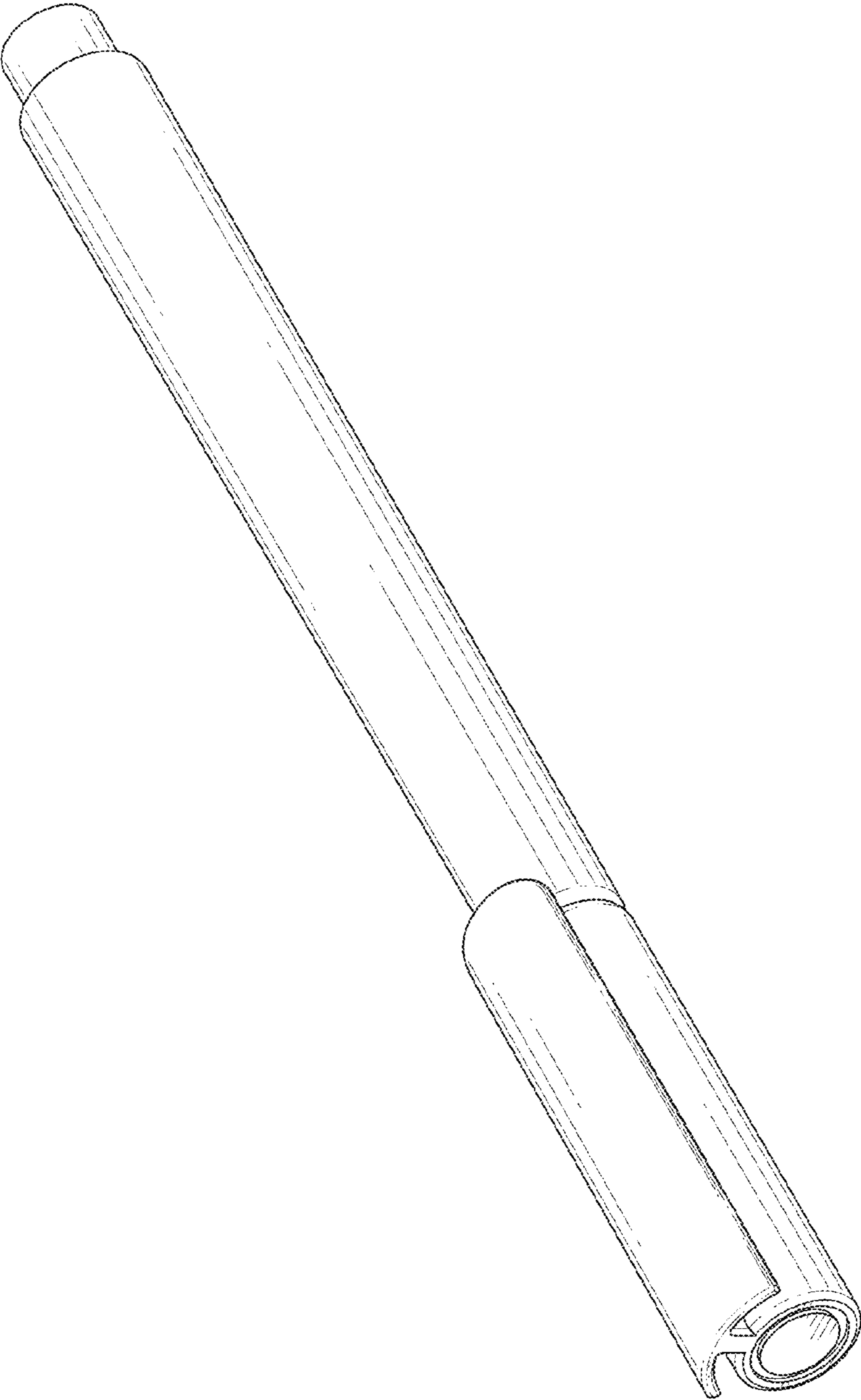


FIG. 1

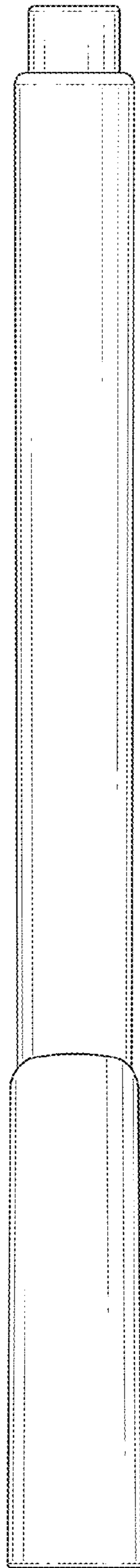


FIG. 2

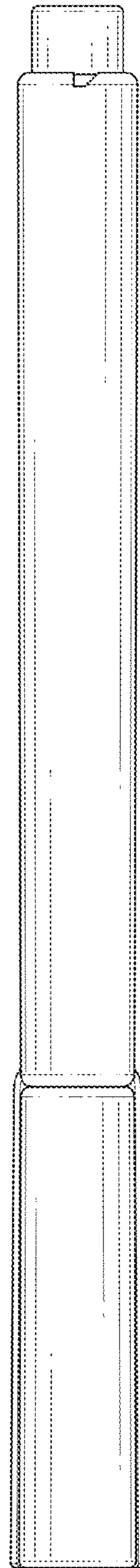


FIG. 3

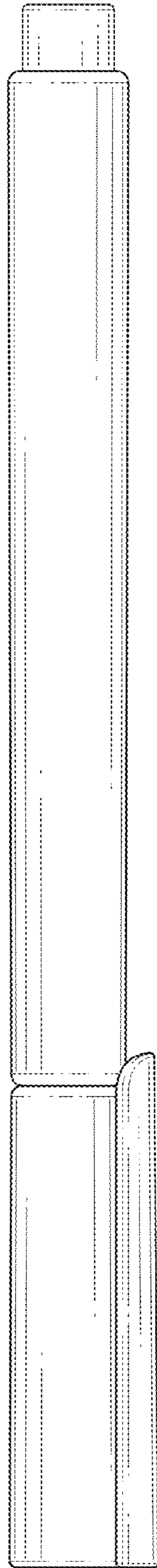


FIG. 4

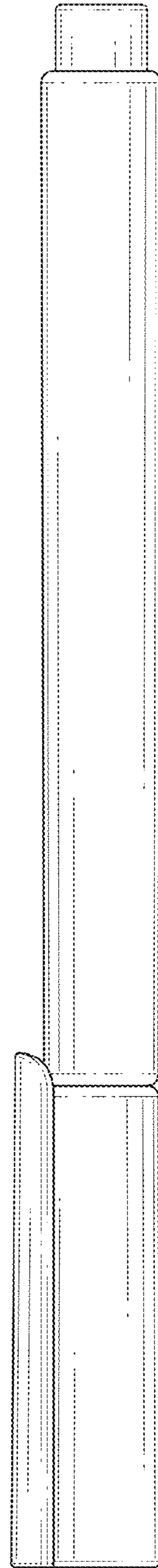


FIG. 5

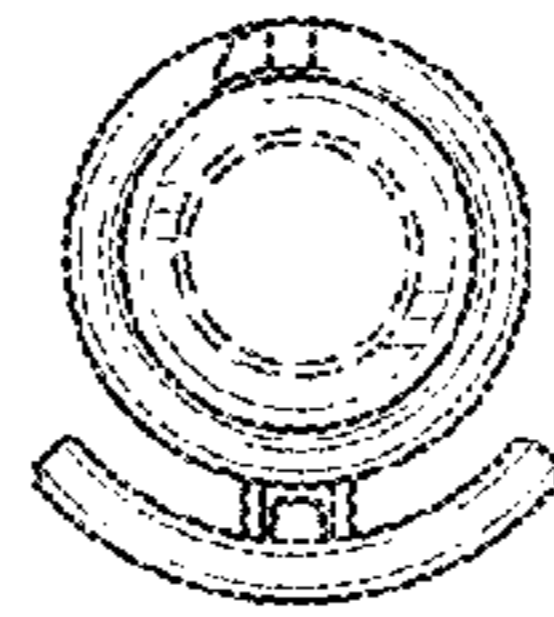


FIG. 6

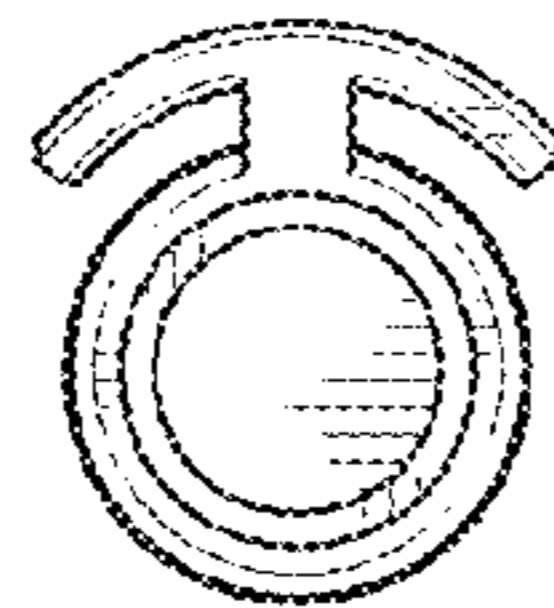


FIG. 7