



US00D711467S

(12) **United States Design Patent**
Rhodes

(10) **Patent No.:** **US D711,467 S**
(45) **Date of Patent:** **** Aug. 19, 2014**

- (54) **WHITE BOARD**
- (71) Applicant: **Julia Marie Rhodes 2010 Revocable Trust, Sonora, CA (US)**
- (72) Inventor: **Julia Rhodes, Sonora, CA (US)**
- (73) Assignee: **Julia Marie Rhodes 2010 Revocable Trust, Sonora, CA (US)**
- (**) Term: **14 Years**
- (21) Appl. No.: **29/459,565**
- (22) Filed: **Jul. 1, 2013**
- (51) **LOC (10) Cl.** **19-06**
- (52) **U.S. Cl.**
USPC **D19/113**
- (58) **Field of Classification Search**
CPC G09F 7/00; G09F 21/02; G09F 15/0037
USPC D6/300-314, 700; D19/88, 90, 91, 113;
D20/10, 27, 39, 40, 42; 40/538, 584,
40/607.01, 611.01; 248/441.1, 444.1;
312/230; 434/408, 410, 415;
D10/109.1, 114.9
See application file for complete search history.

4,329,800	A *	5/1982	Shuman	40/606.14
D265,746	S *	8/1982	Robillard	D20/41
4,793,083	A *	12/1988	McDonald	40/606.13
4,862,823	A *	9/1989	Hughes	116/209
D306,874	S *	3/1990	Lapin	D19/4
5,050,828	A *	9/1991	Wolff	248/156
5,161,827	A *	11/1992	Grosso	283/77
D341,387	S *	11/1993	Koneval	D19/43
D342,549	S *	12/1993	Hofman	D20/41
D347,244	S *	5/1994	Whitmire	D20/41
5,743,414	A *	4/1998	Baudino	211/69.1
D414,516	S *	9/1999	Lopez	D20/10
6,134,820	A *	10/2000	Martinez	40/586
6,178,674	B1 *	1/2001	Decaux et al.	40/471
6,557,281	B1 *	5/2003	Lewiner et al.	40/471

(Continued)

Primary Examiner — Elizabeth Albert
(74) Attorney, Agent, or Firm — McGuireWoods, LLP

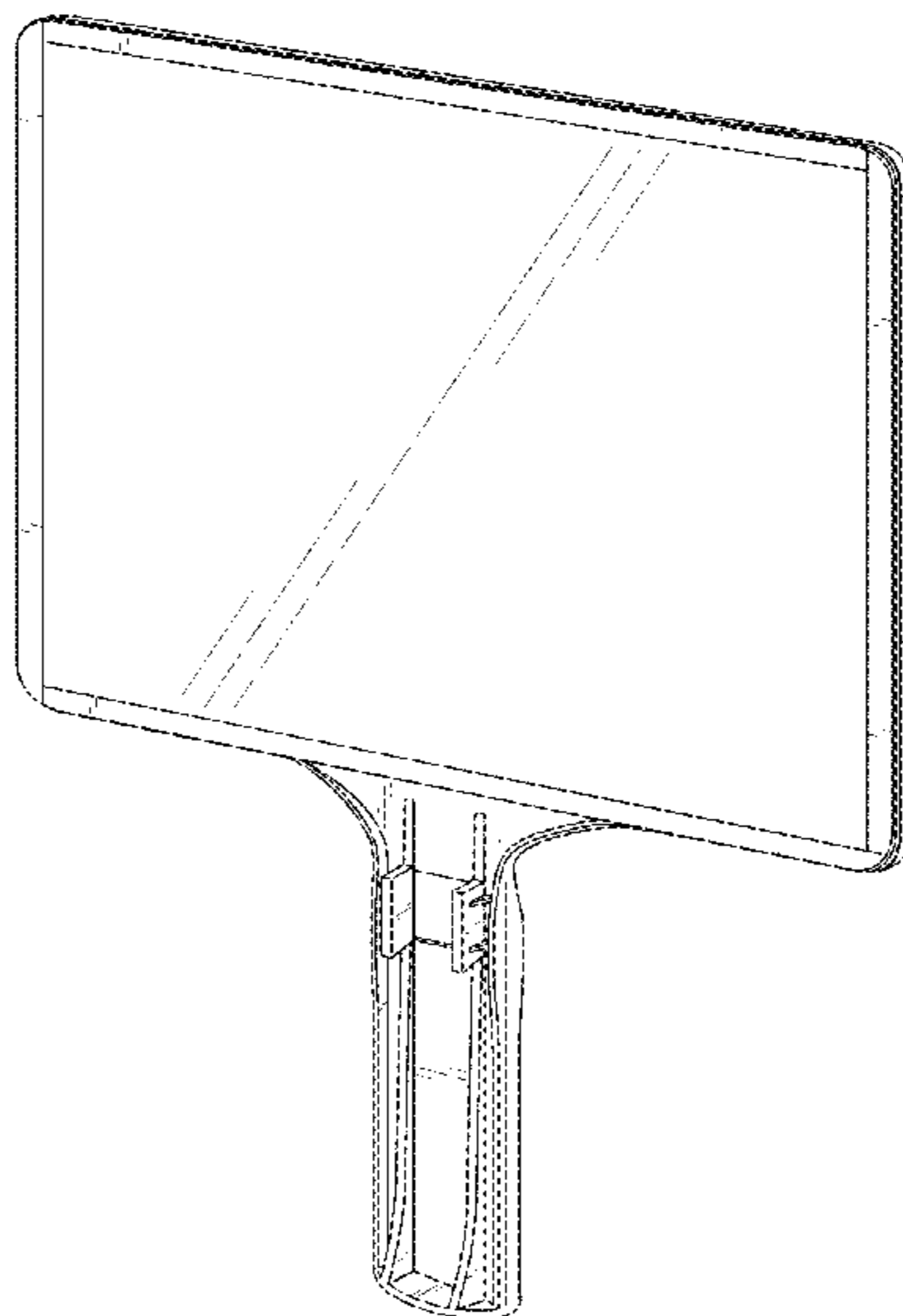
(57) **CLAIM**
I claim the ornamental design for a white board, as shown and described.

DESCRIPTION

FIG. 1 is a perspective view of a white board showing my new design;
FIG. 2 is a front elevation view of FIG. 1;
FIG. 3 is a rear elevation view of FIG. 1;
FIG. 4 is a left side elevation view of FIG. 1;
FIG. 5 is a right side elevation view of FIG. 1;
FIG. 6 is a top plan view of FIG. 1;
FIG. 7 is a bottom plan view of FIG. 1;
FIG. 8 is another perspective view of FIG. 1;
FIG. 9 is a another perspective view of FIG. 1 with the cover pulled away;
FIG. 10 is another perspective view of FIG. 1; and,
FIG. 11 is another perspective view of FIG. 1.
The subject matter shown in dashed lines is included to show features that form no part of the claimed design.

1 Claim, 9 Drawing Sheets

- (56) **References Cited**
U.S. PATENT DOCUMENTS
- | | | | | | |
|-----------|-----|---------|--------------|-------|-----------|
| 1,631,192 | A * | 6/1927 | Dunlap | | 434/410 |
| 1,849,361 | A * | 3/1932 | Brett | | 40/607.12 |
| D130,334 | S * | 11/1941 | Bryant | | D10/111 |
| 2,367,608 | A * | 1/1945 | Ponnock | | 434/410 |
| 2,785,487 | A * | 3/1957 | Hopp | | 40/651 |
| 3,008,254 | A * | 11/1961 | Smit | | 40/662 |
| 3,213,556 | A * | 10/1965 | Cobbs | | 40/649 |
| 4,134,222 | A * | 1/1979 | Orsos | | 40/606.15 |
| D263,319 | S * | 3/1982 | Shuman | | D20/40 |
| 4,318,238 | A * | 3/1982 | Macarle, Jr. | | 40/492 |
| D263,972 | S * | 4/1982 | Pasker | | D20/10 |



(56)

References Cited

U.S. PATENT DOCUMENTS

D501,891 S * 2/2005 Kaplan et al. D20/41
6,932,531 B2 * 8/2005 Marschand et al. 401/202
7,399,184 B2 * 7/2008 Hester et al. 434/408
D616,945 S * 6/2010 Villasenor D20/41
7,866,075 B2 * 1/2011 Meeker et al. 40/606.01
8,136,280 B2 * 3/2012 Spelman 40/586

D661,745 S * 6/2012 Podd D20/42
8,336,237 B2 * 12/2012 Makhija et al. 40/606.14
2002/0038523 A1 * 4/2002 Gibbens 40/586
2002/0133988 A1 * 9/2002 Spelman 40/586
2004/0098894 A1 * 5/2004 Thomas 40/586
2005/0036641 A1 * 2/2005 Cheung et al. 381/334
2007/0245609 A1 * 10/2007 Becker 40/586
2011/0030252 A1 * 2/2011 Marinakis 40/549
2012/0298542 A1 * 11/2012 Littlejohn 206/459.5

* cited by examiner

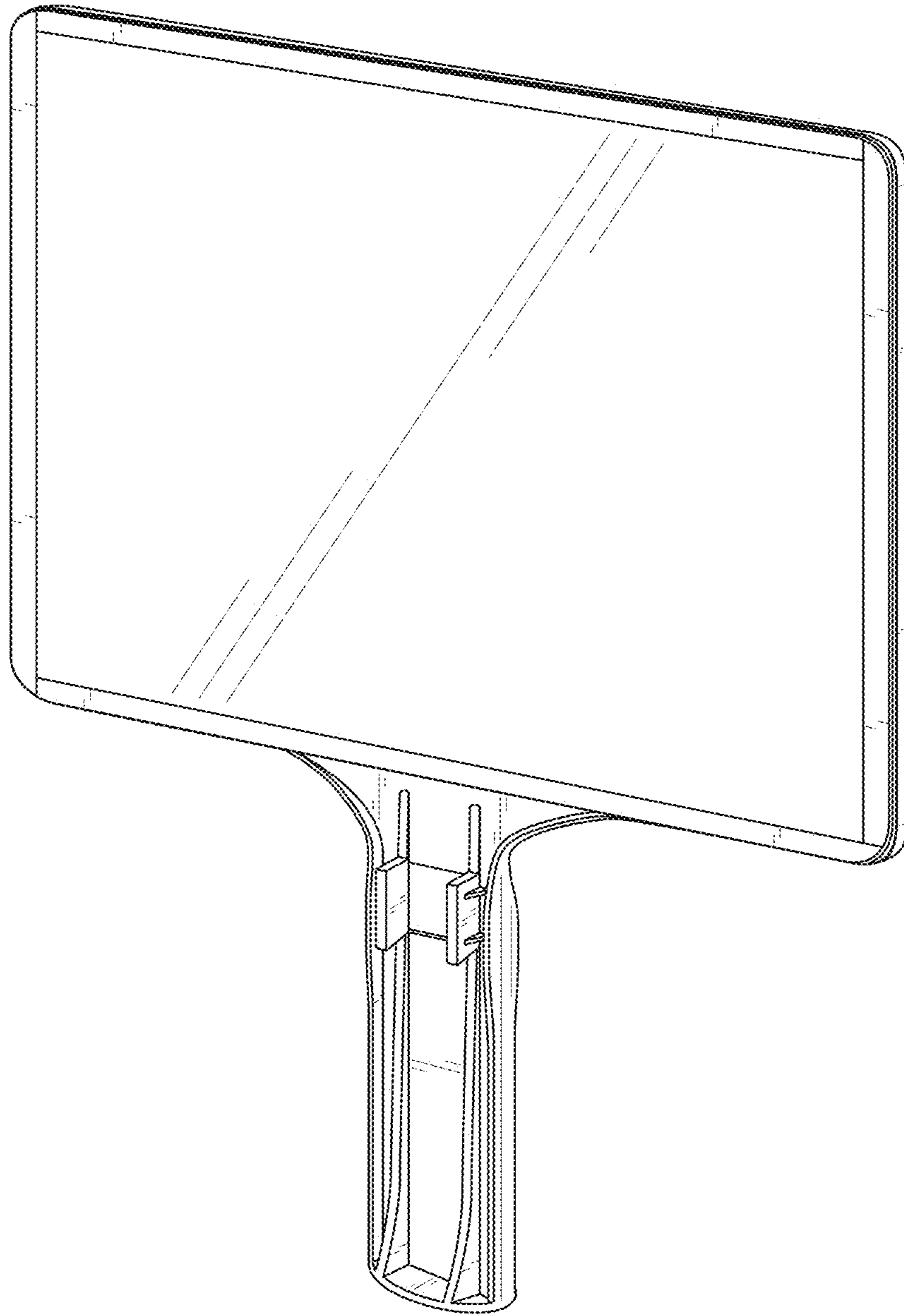


FIG. 1

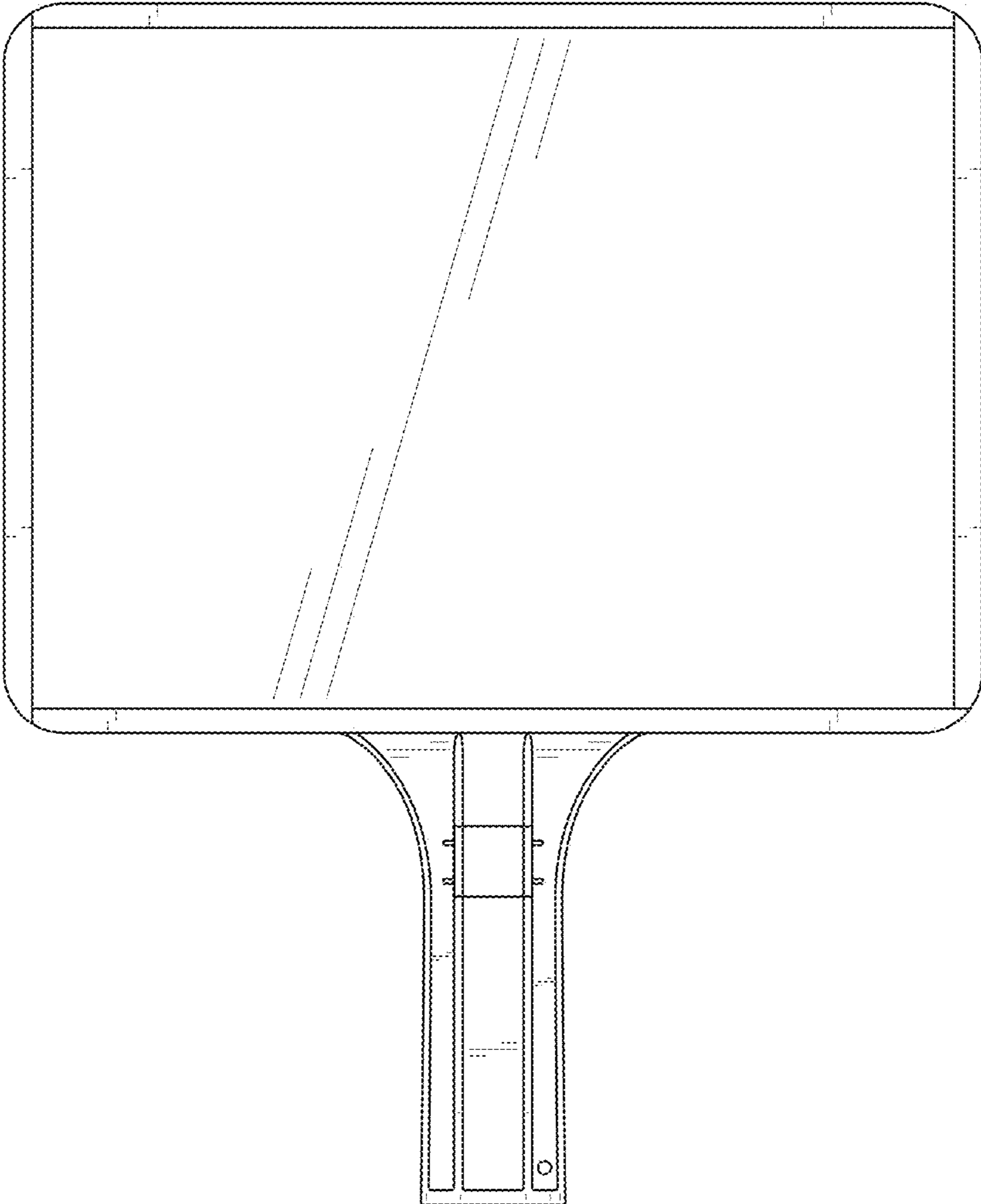


FIG. 2

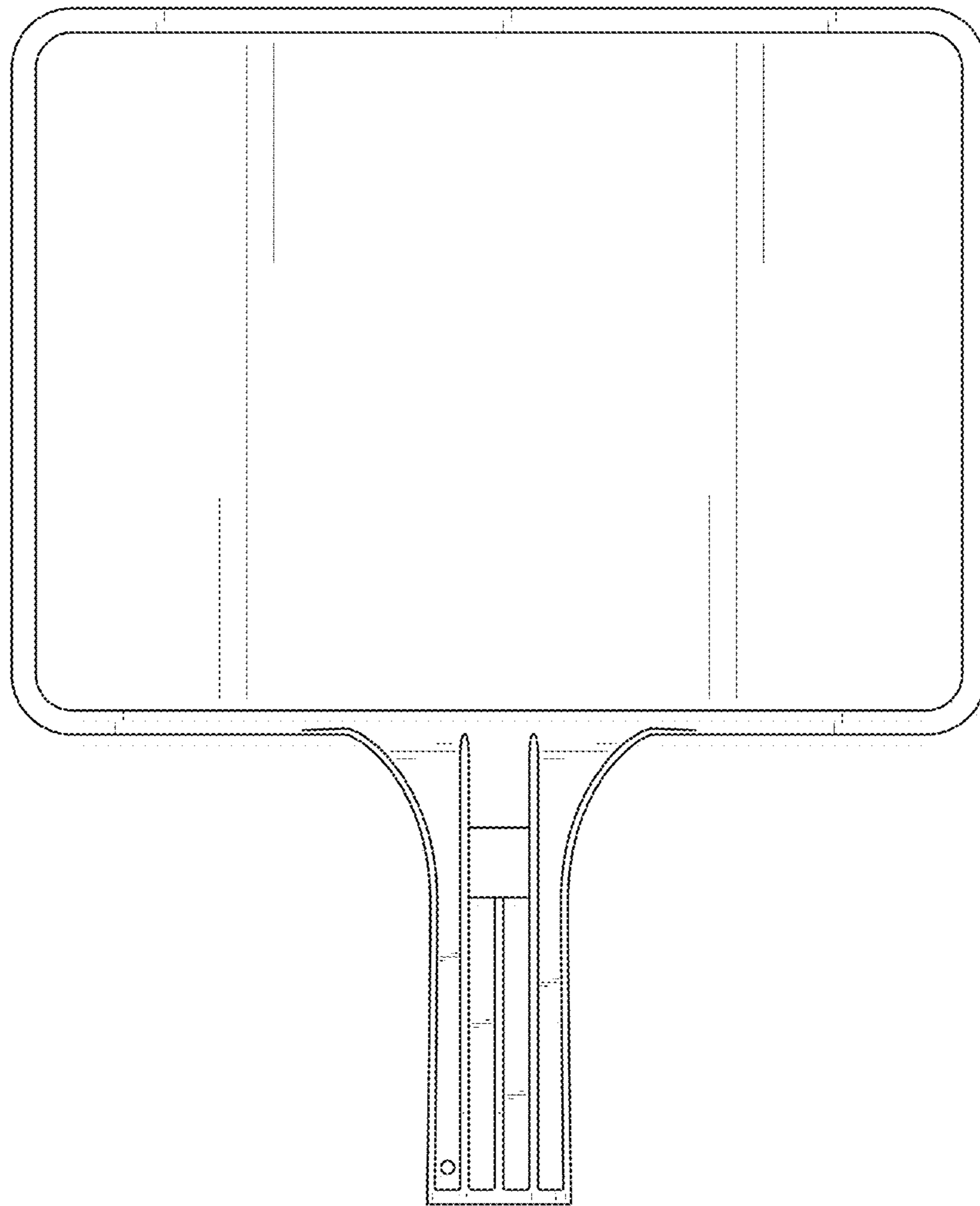


FIG. 3

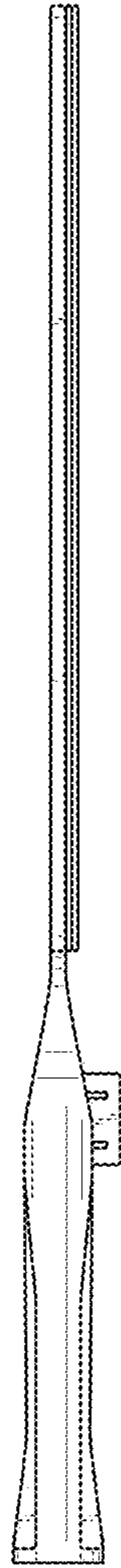


FIG. 4

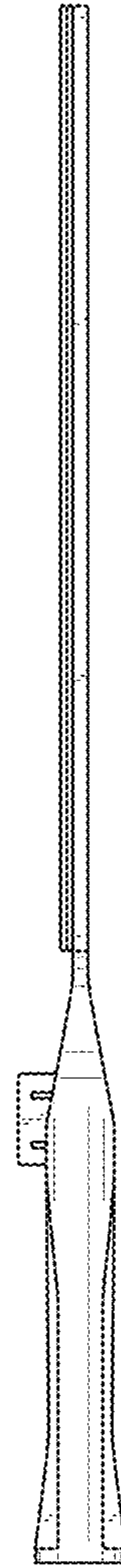


FIG. 5

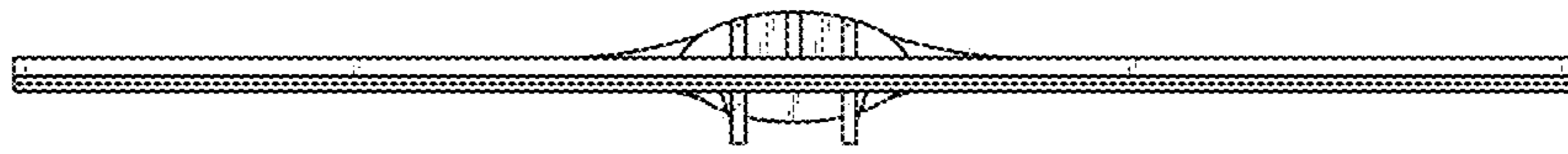


FIG. 6

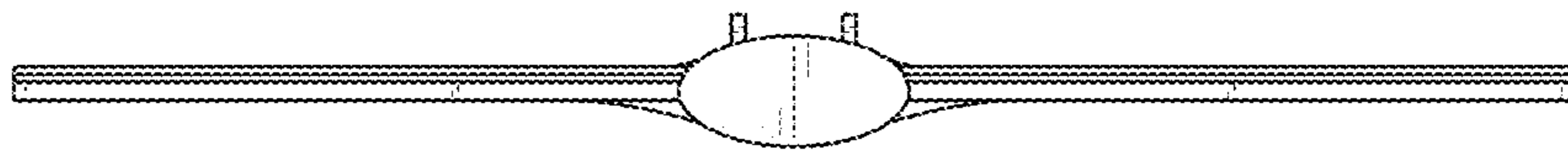


FIG. 7

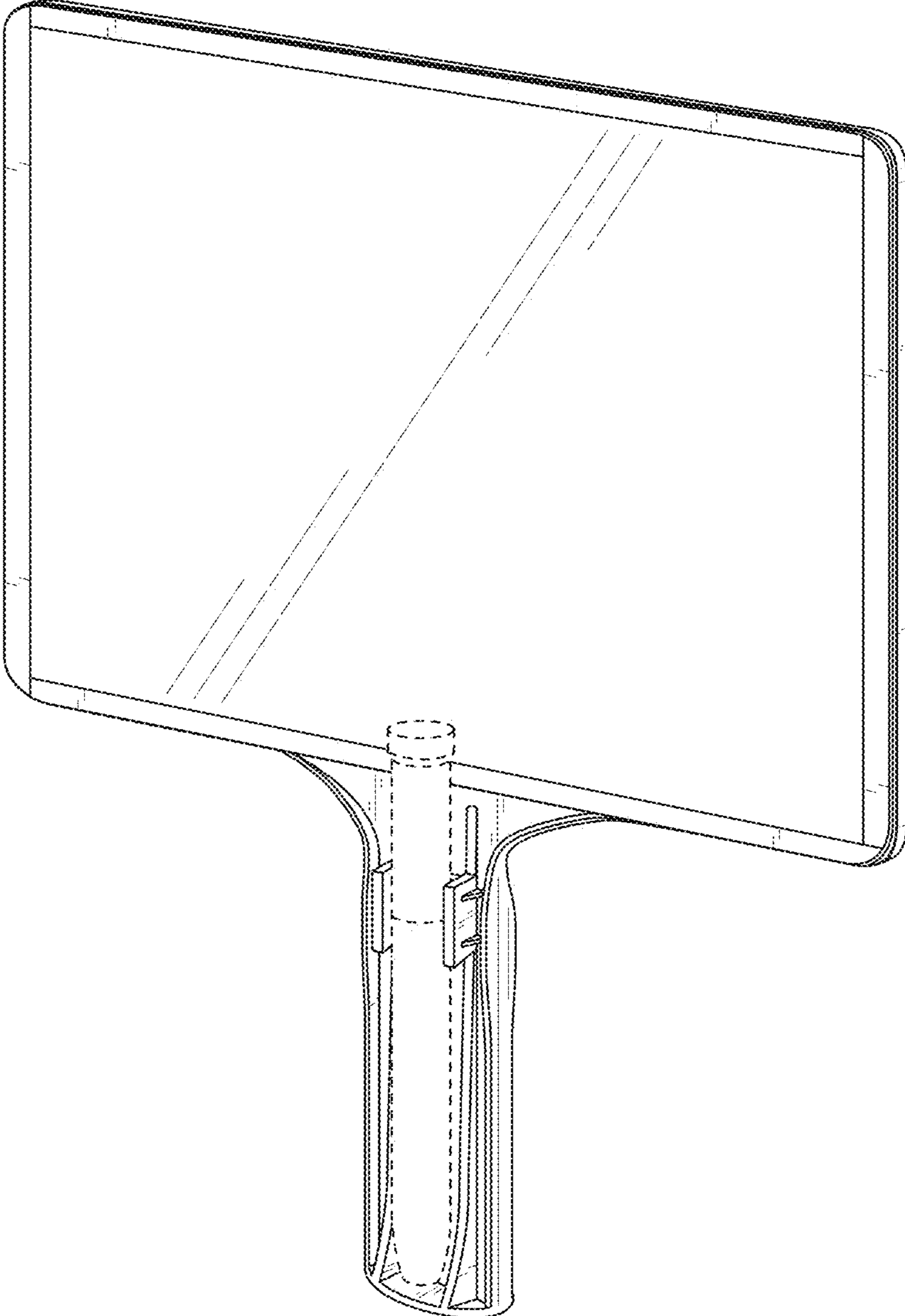


FIG. 8

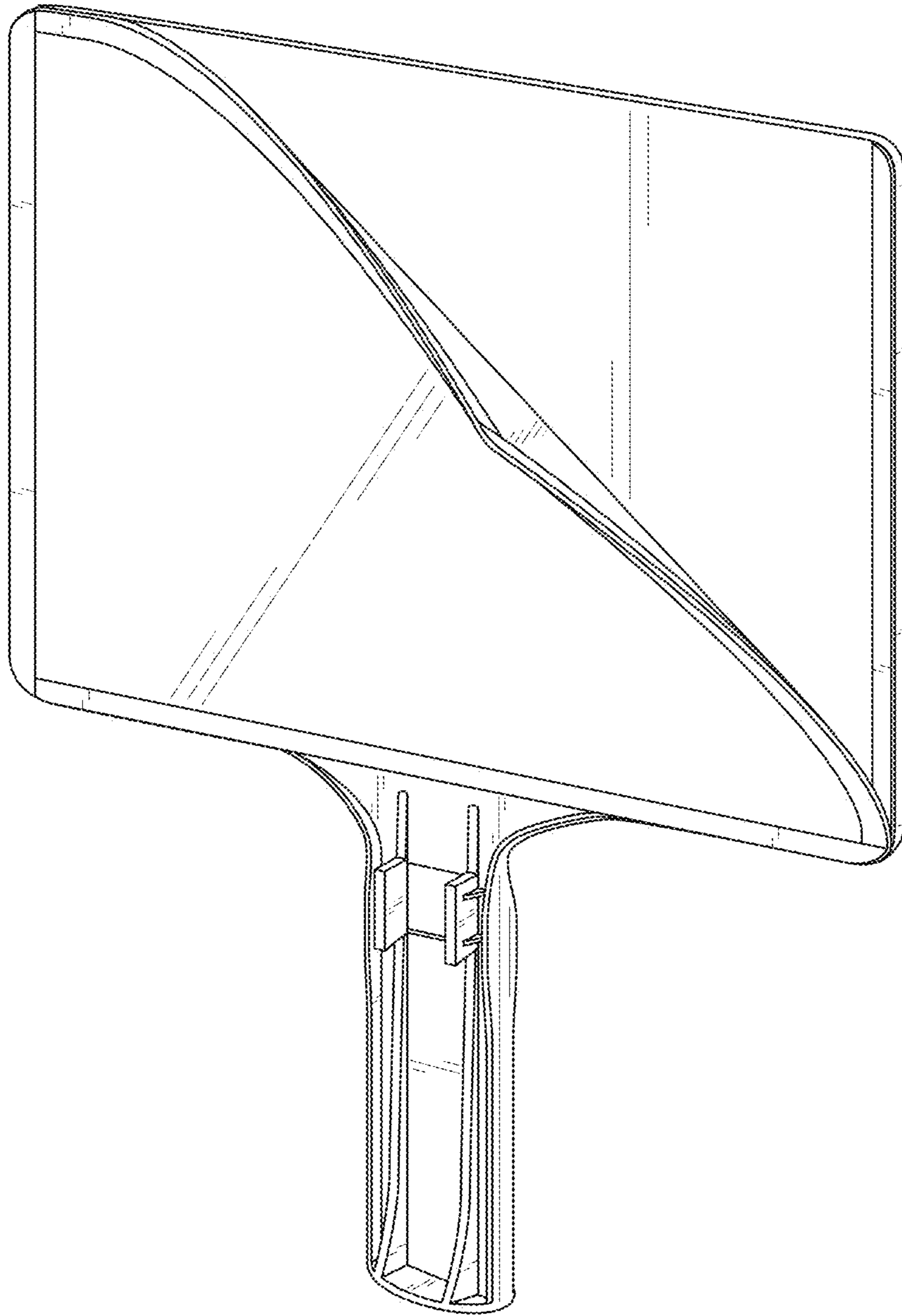


FIG. 9

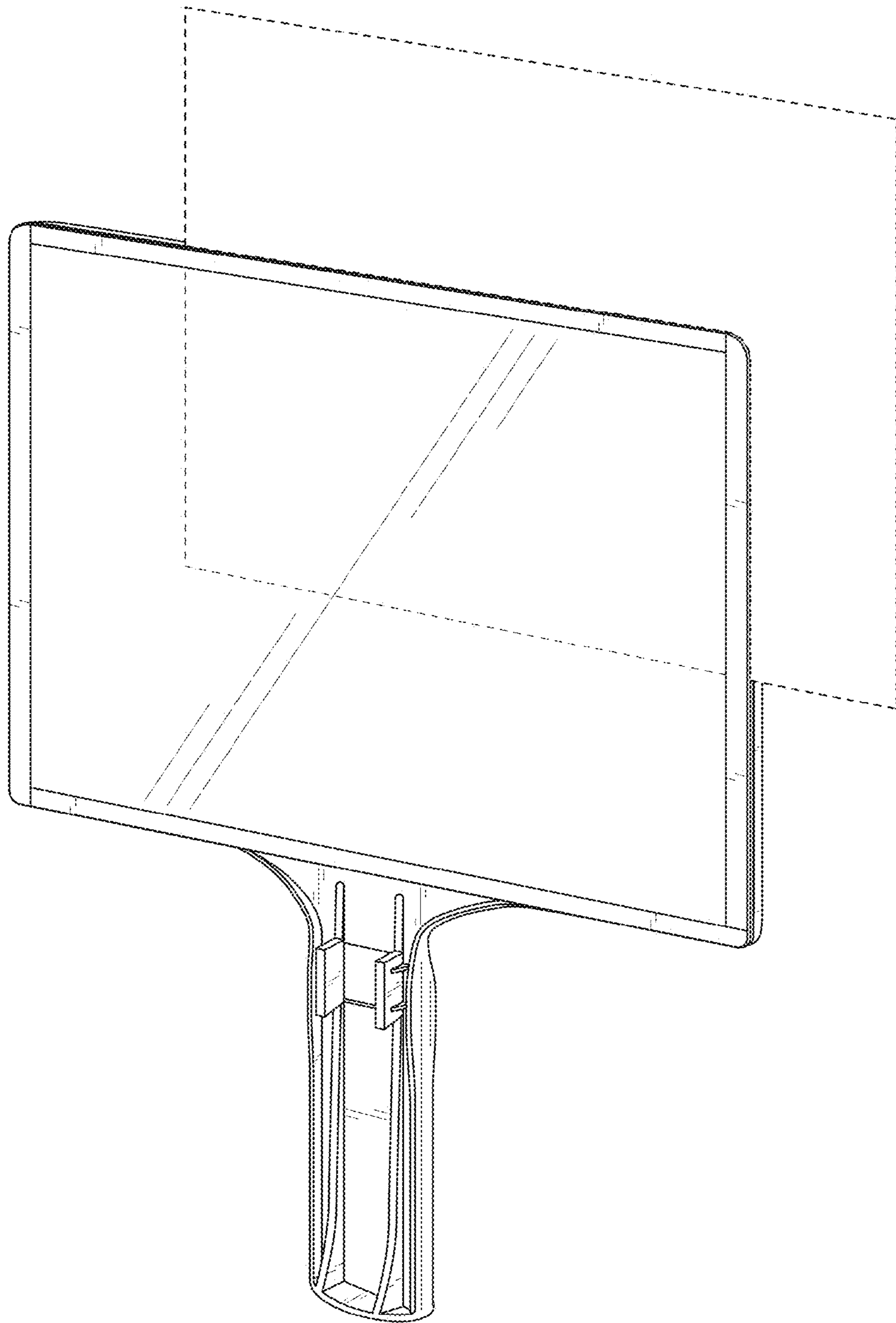


FIG. 10

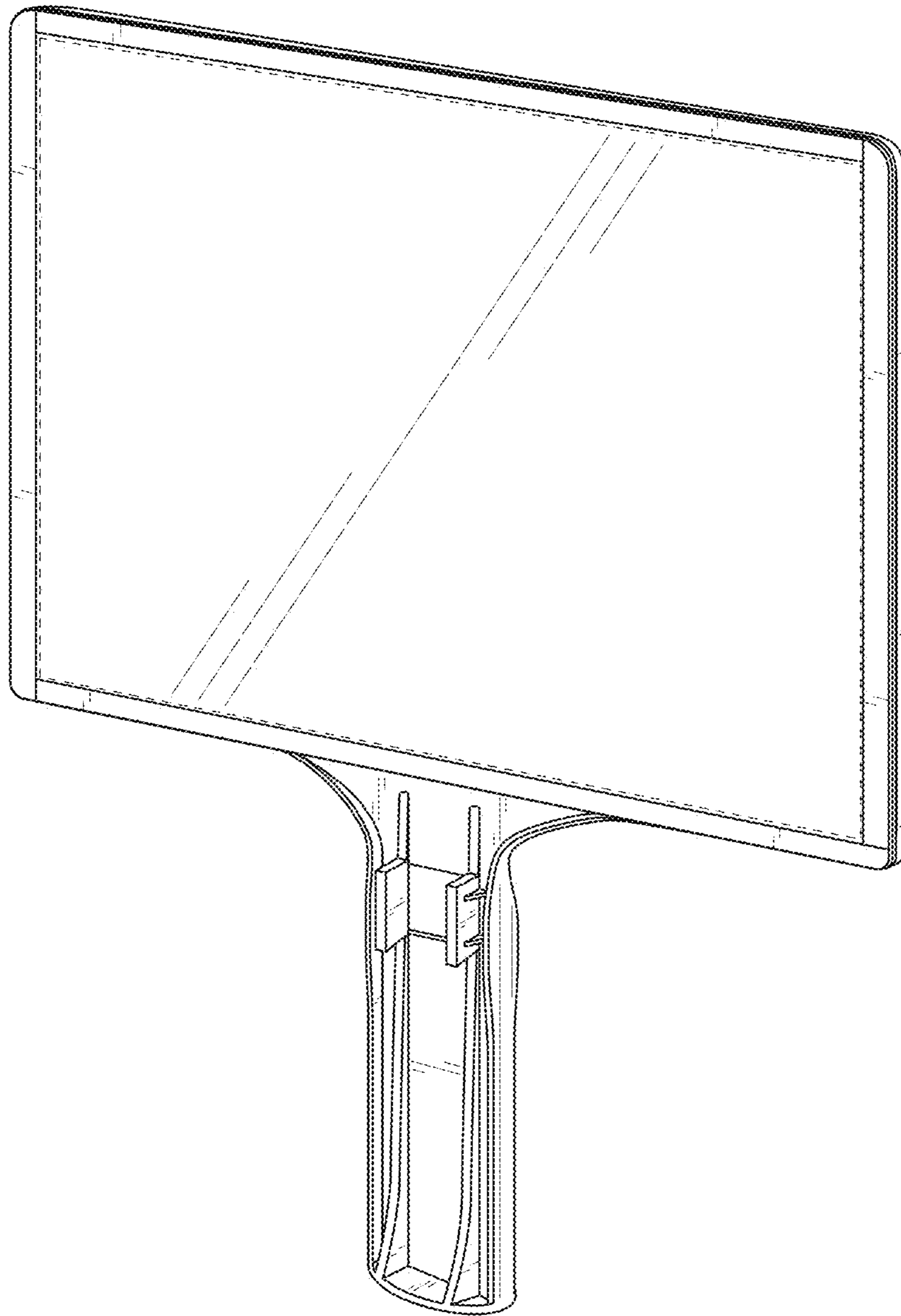


FIG. 11