



US00D711466S

(12) **United States Design Patent**
Huang

(10) **Patent No.:** **US D711,466 S**

(45) **Date of Patent:** **** Aug. 19, 2014**

(54) **CLIPBOARD**

(76) Inventor: **Jin Huang**, Ninghai (CN)

(**) Term: **14 Years**

(21) Appl. No.: **29/431,612**

(22) Filed: **Sep. 10, 2012**

(30) **Foreign Application Priority Data**

Mar. 21, 2012 (CN) 2012 3 0072360

(51) **LOC (10) Cl.** **19-02**

(52) **U.S. Cl.**
USPC **D19/88**

(58) **Field of Classification Search**
USPC D3/273, 276, 282, 900; D7/698;
D19/52, 88; 24/67 R; 40/341; 248/447,
248/452; 281/45

See application file for complete search history.

(56) **References Cited**

U.S. PATENT DOCUMENTS

D298,955 S *	12/1988	Zovar	D19/88
D300,835 S *	4/1989	Stevens	D20/27
5,145,141 A *	9/1992	Hunter	248/452
D398,650 S *	9/1998	Shamoon	D19/88
5,887,902 A *	3/1999	Irwin et al.	281/45

D434,561 S *	12/2000	Vasudeva	D3/282
D492,358 S *	6/2004	Chen	D19/88
D500,800 S *	1/2005	Shamoon	D19/88
D510,389 S *	10/2005	Shamoon	D19/88
D575,826 S *	8/2008	Chen et al.	D19/88
D580,990 S *	11/2008	Chang	D19/88
D586,400 S *	2/2009	Shamoon	D19/88
D599,856 S *	9/2009	Chen et al.	D19/88
D621,614 S *	8/2010	Zuniga et al.	D3/282
D647,969 S *	11/2011	Shamoon	D19/88
D656,994 S *	4/2012	Podd	D20/42
D669,531 S *	10/2012	Kong et al.	D19/52
2007/0241579 A1 *	10/2007	Chang	294/138
2008/0187900 A1 *	8/2008	Hardt	434/408

* cited by examiner

Primary Examiner — Elizabeth Albert

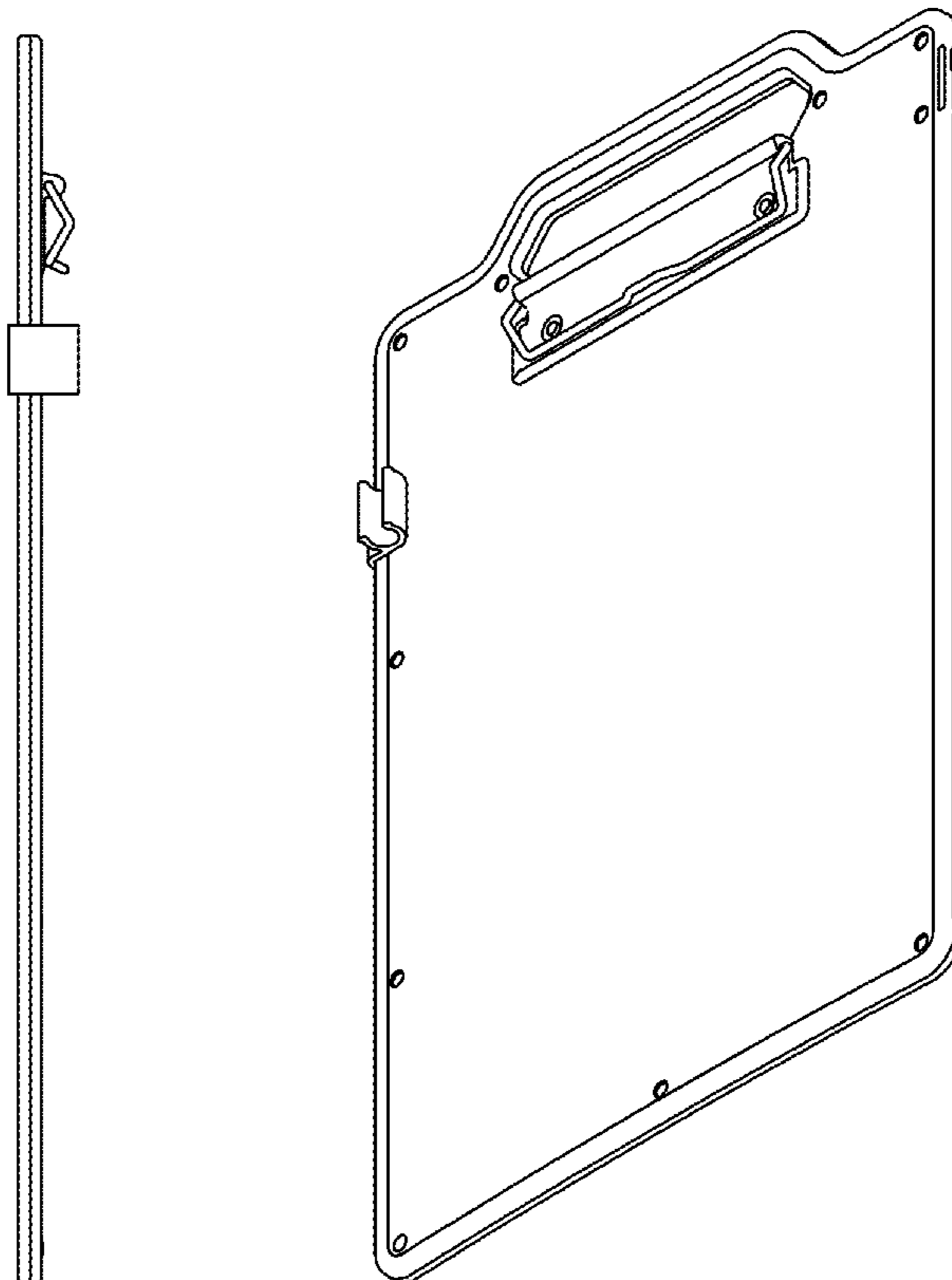
(57) **CLAIM**

The ornamental design for the clipboard, as shown and described.

DESCRIPTION

FIG. 1 is a front view of a clipboard showing my new design;
FIG. 2 is a rear view thereof;
FIG. 3 is a top view thereof;
FIG. 4 is a bottom view thereof;
FIG. 5 is a right side view thereof;
FIG. 6 is a left side view thereof; and,
FIG. 7 is a perspective view thereof.

1 Claim, 4 Drawing Sheets



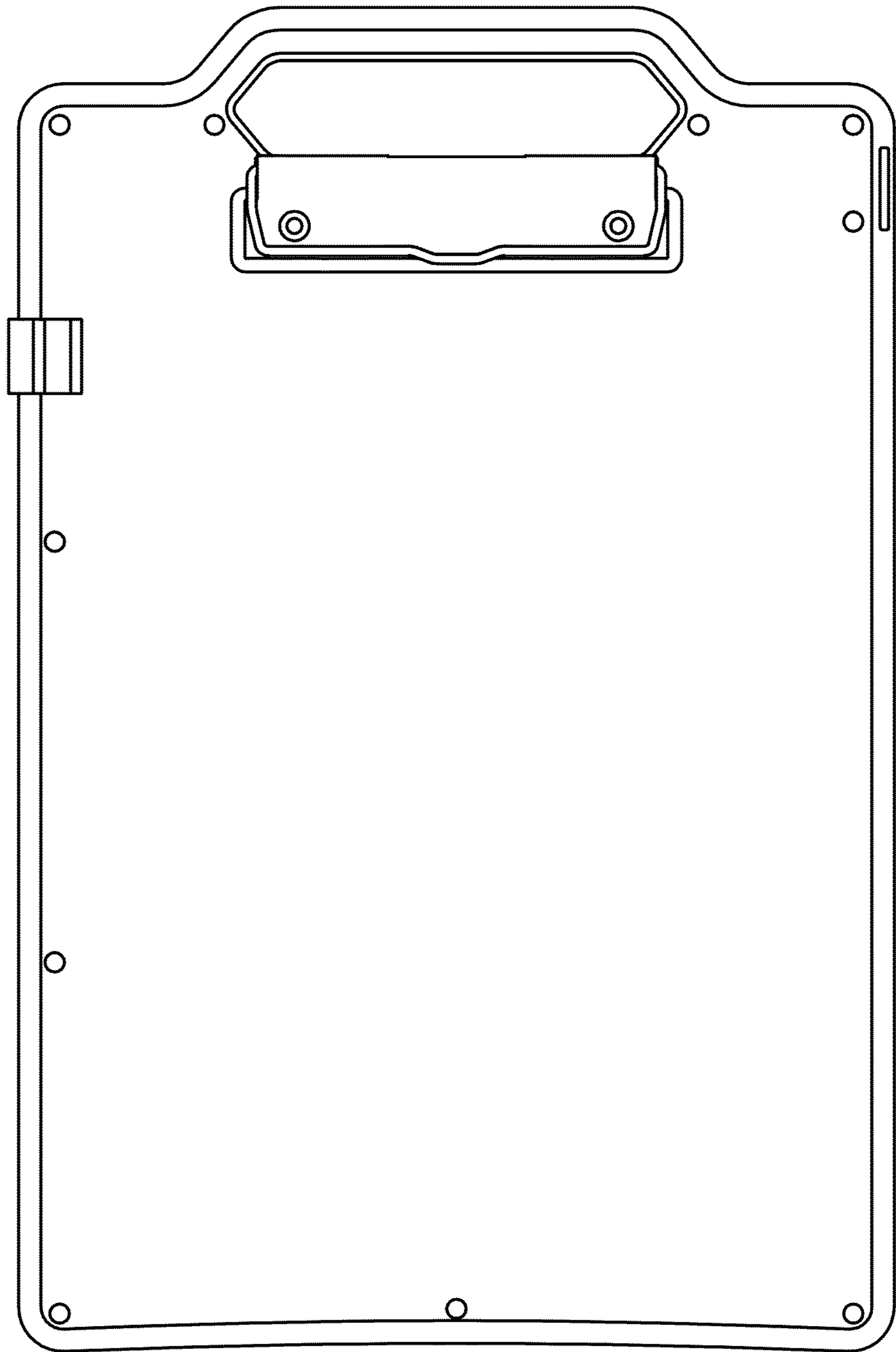


Fig. 1

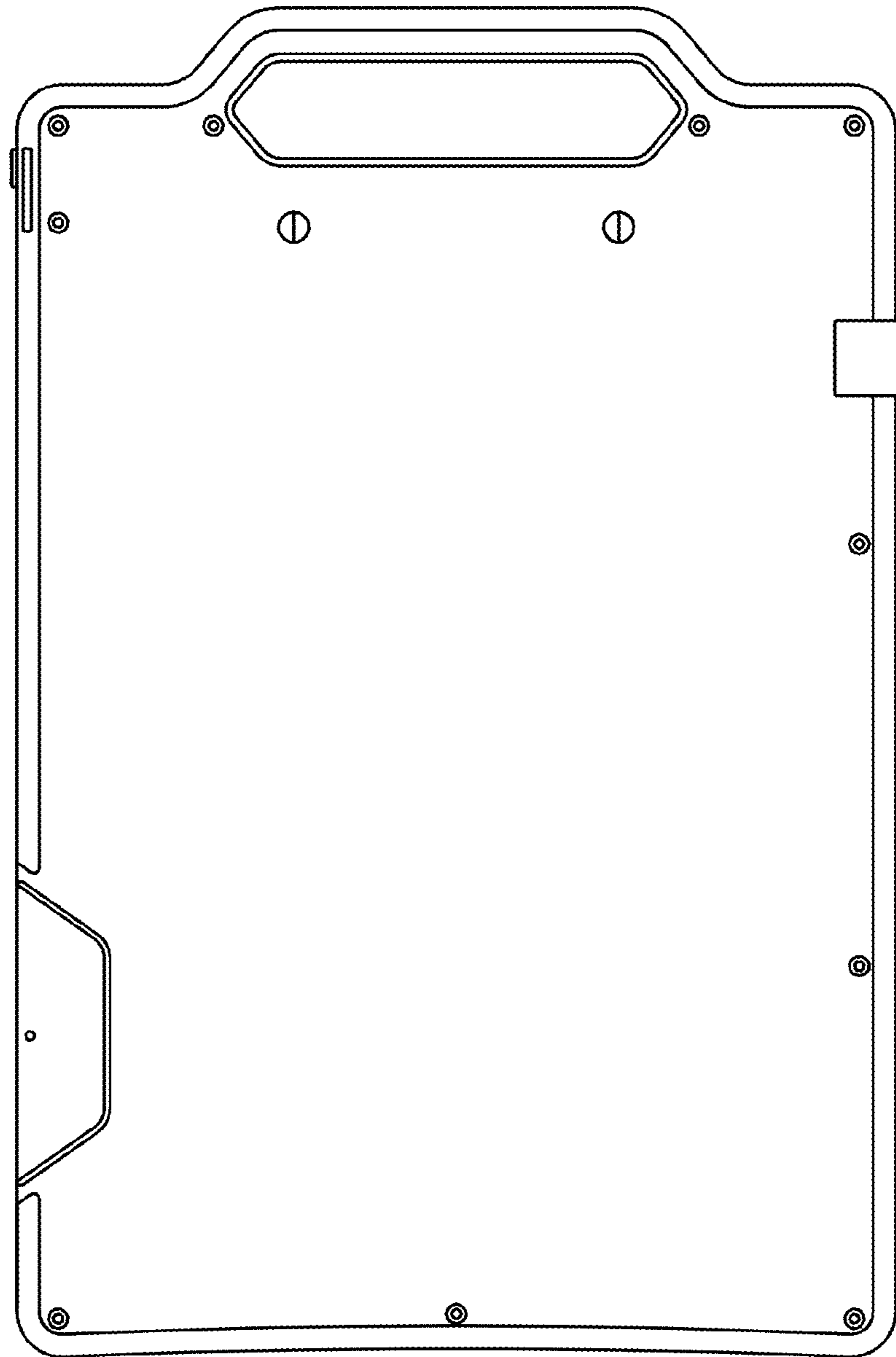


Fig. 2

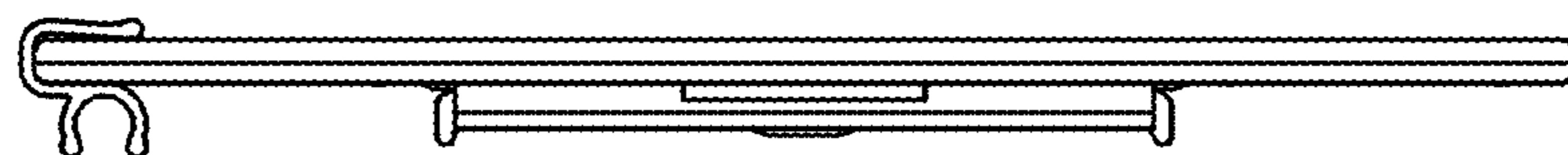


Fig. 3

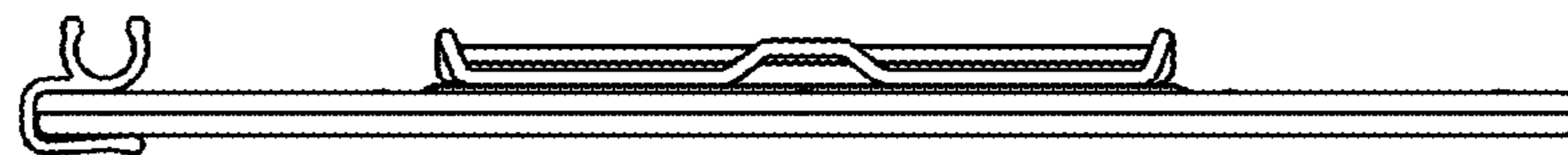


Fig. 4

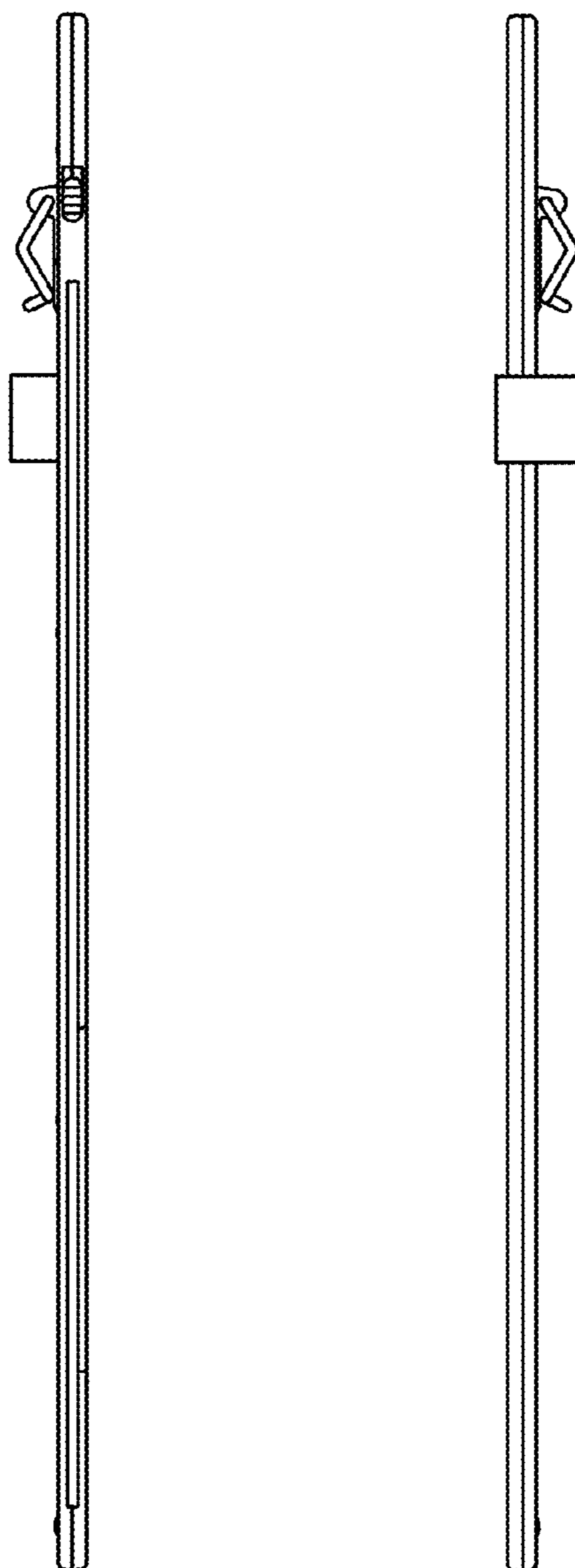


Fig. 5

Fig. 6

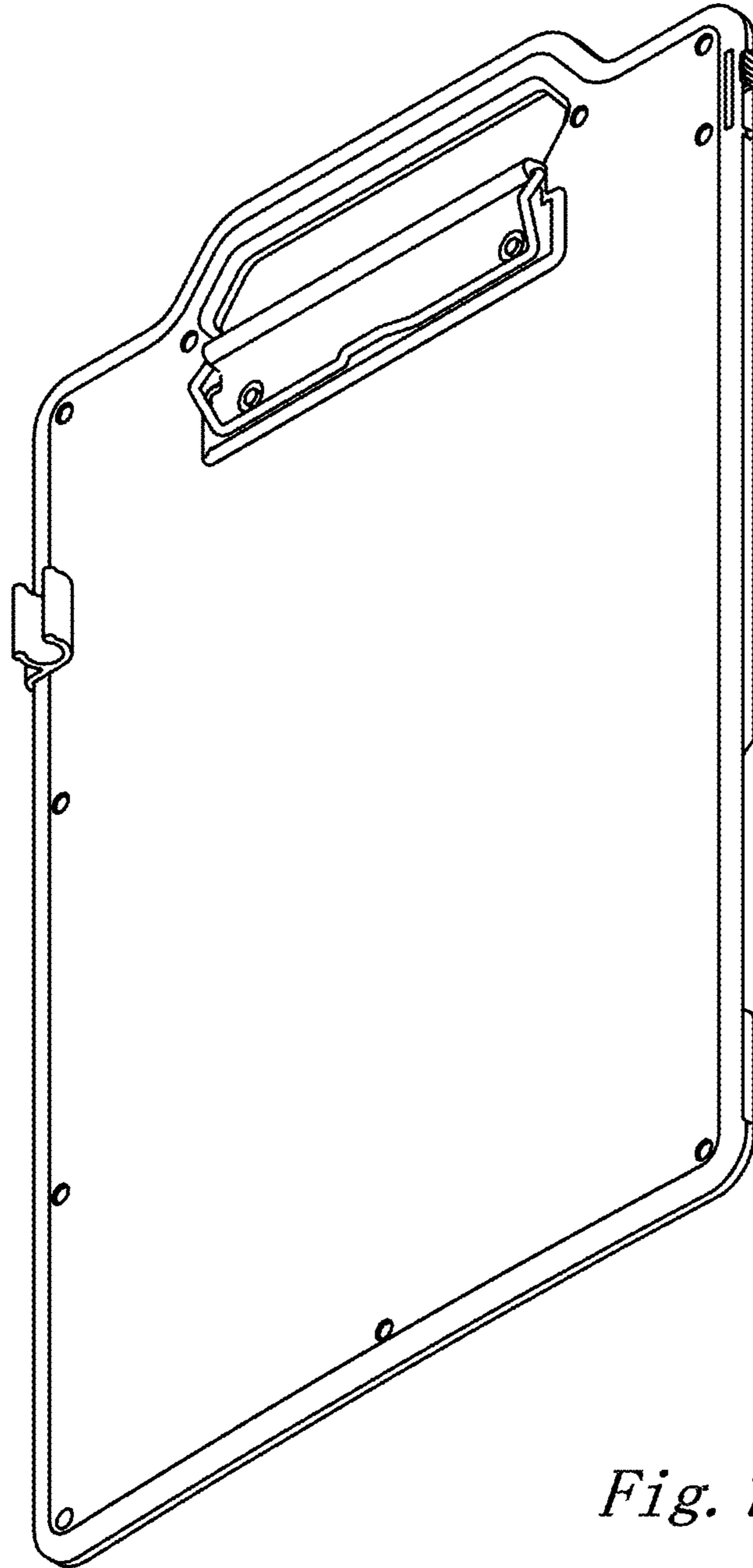


Fig. 7