



US00D711465S

(12) **United States Design Patent**
Lipscomb et al.

(10) **Patent No.:** **US D711,465 S**

(45) **Date of Patent:** **** Aug. 19, 2014**

(54) **SHAPE PUNCH**

(71) Applicant: **Fiskars Brands, Inc.**, Madison, WI (US)

(72) Inventors: **Daniel J. Lipscomb**, Prairie Du Sac, WI (US); **Andrew P. Block**, Middleton, WI (US); **Jens N. Housley**, Sun Prairie, WI (US)

(73) Assignee: **Fiskars Brands, Inc.**, Madison, WI (US)

(**) Term: **14 Years**

(21) Appl. No.: **29/449,061**

(22) Filed: **Mar. 14, 2013**

(51) **LOC (10) Cl.** **19-02**

(52) **U.S. Cl.**
USPC **D19/72**

(58) **Field of Classification Search**
CPC B26F 1/36; B26F 1/02; B26D 7/015;
B26D 2007/0087
USPC D8/98; D19/72, 73; 83/167, 582, 588,
83/613, 618, 633, 684, 686, 687
See application file for complete search history.

(56) **References Cited**

U.S. PATENT DOCUMENTS

1,650,019	A *	11/1927	Kline	83/468
D132,970	S *	7/1942	Budlong	D19/72
D373,385	S	9/1996	Birkholz	
5,601,006	A	2/1997	Quinn et al.	
D409,630	S	5/1999	Cornell et al.	
D414,999	S *	10/1999	Wilson et al.	D8/50
6,752,058	B2 *	6/2004	Oh	83/620
D531,674	S *	11/2006	Oh	D19/72

7,331,266	B2 *	2/2008	Chen	83/633
D573,649	S *	7/2008	Chen et al.	D19/72
7,762,169	B2 *	7/2010	Kaposi	83/167
D633,146	S *	2/2011	Lee et al.	D19/72
2006/0278056	A1 *	12/2006	Chen et al.	83/588
2007/0125210	A1 *	6/2007	Kaposi	83/167
2007/0151435	A1 *	7/2007	Kandasamy	83/588
2009/0133560	A1 *	5/2009	Chen et al.	83/588

OTHER PUBLICATIONS

2005 Fiskars School Office Craft Catalog, pp. 71-73.

* cited by examiner

Primary Examiner — Elizabeth Albert

(74) *Attorney, Agent, or Firm* — Foley & Lardner LLP

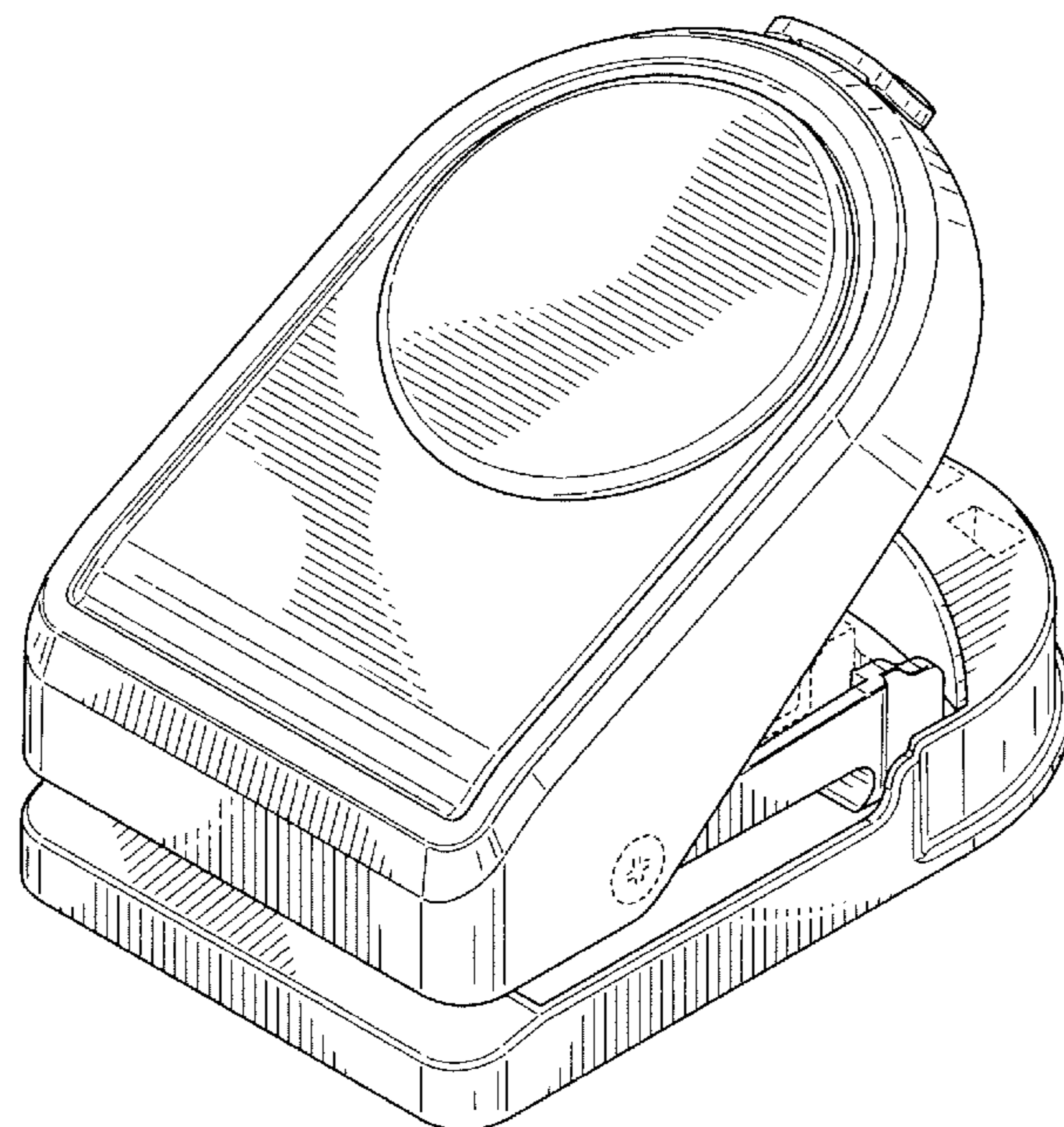
(57) **CLAIM**

We claim the ornamental design for a shape punch, as shown and described.

DESCRIPTION

FIG. 1 is a first isometric view of the claimed design; FIG. 2 is a rear elevational view of the claimed design; FIG. 3 is a front elevational view of the claimed design; FIG. 4 is a right side elevational view of the claimed design; FIG. 5 is a left side elevational view of the claimed design; FIG. 6 is a top plan view of the claimed design; FIG. 7 is a bottom plan view of the claimed design; and, FIG. 8 is a second isometric view of the claimed design. The broken lines in the drawings are included for the purpose of illustrating subject matter that forms no part of the claimed design.

1 Claim, 8 Drawing Sheets



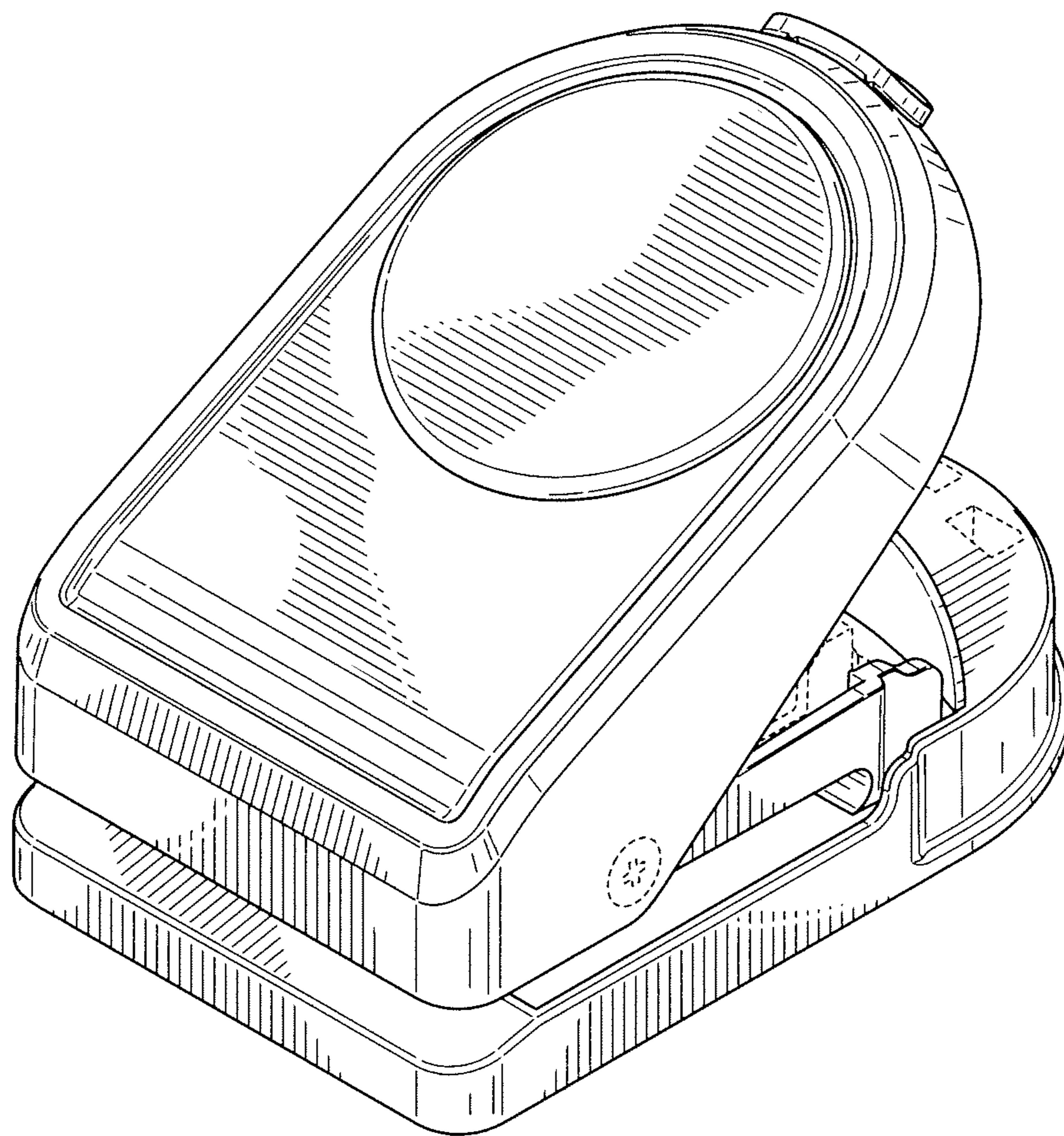


FIG. 1

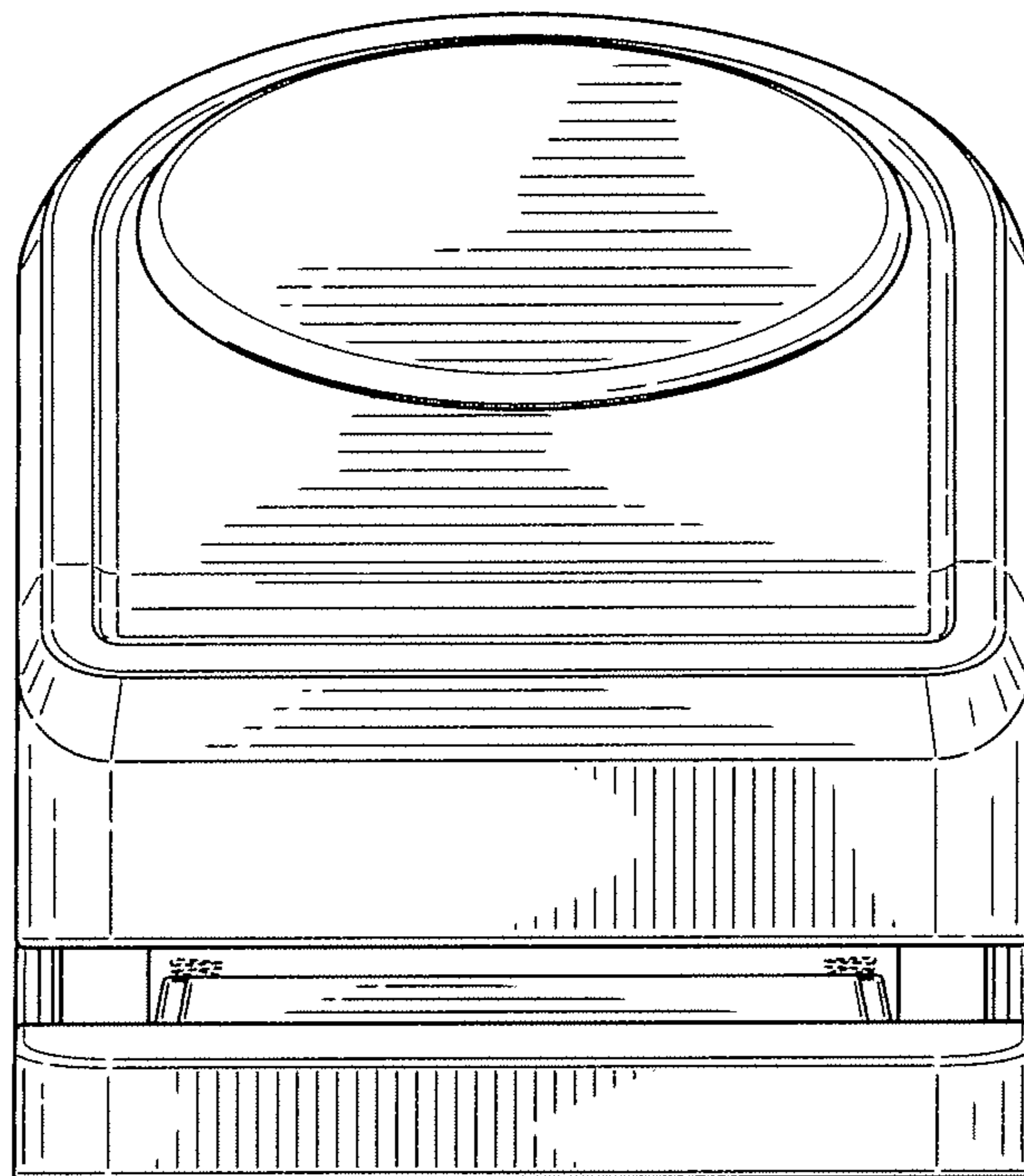


FIG. 2

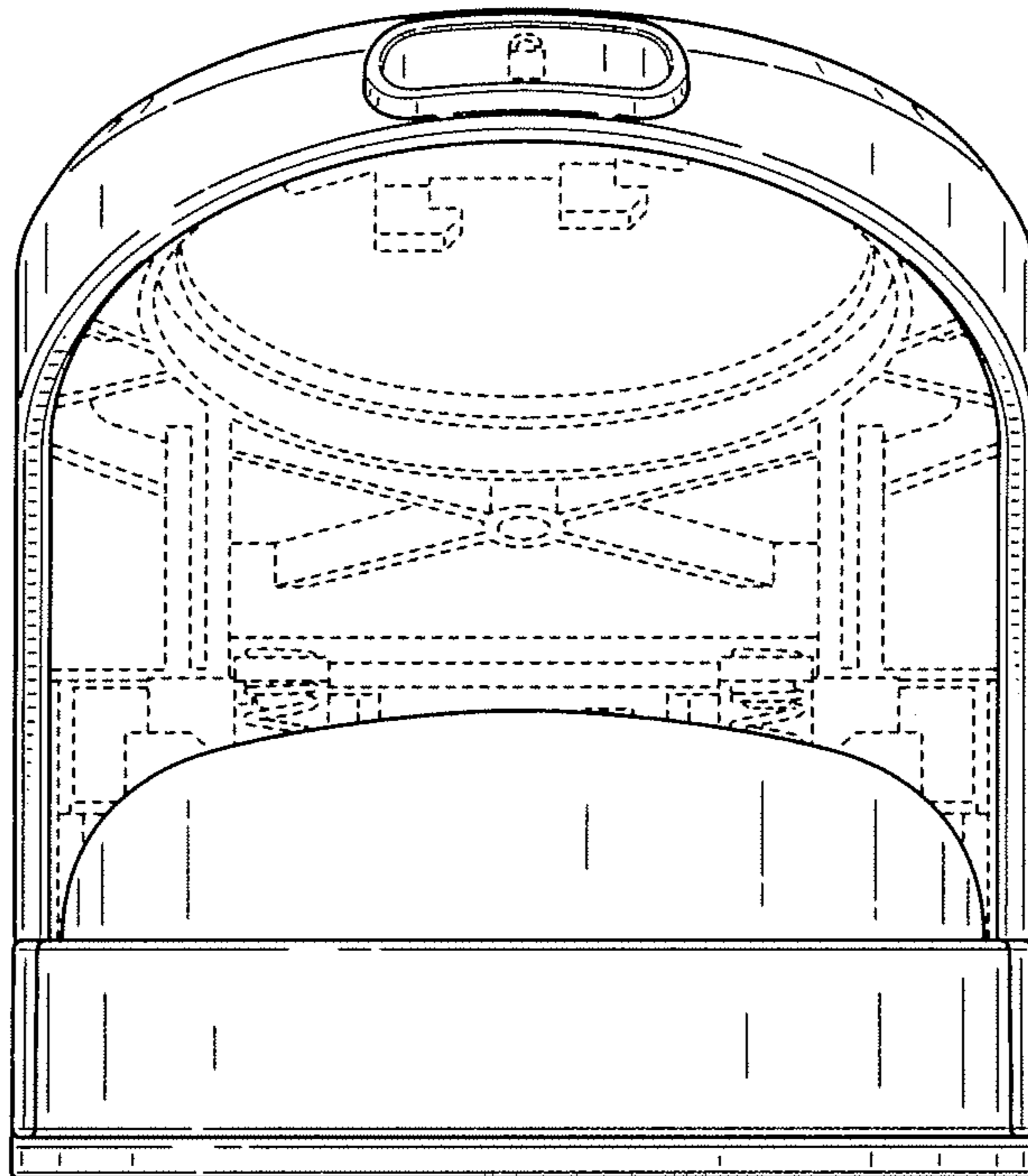


FIG. 3

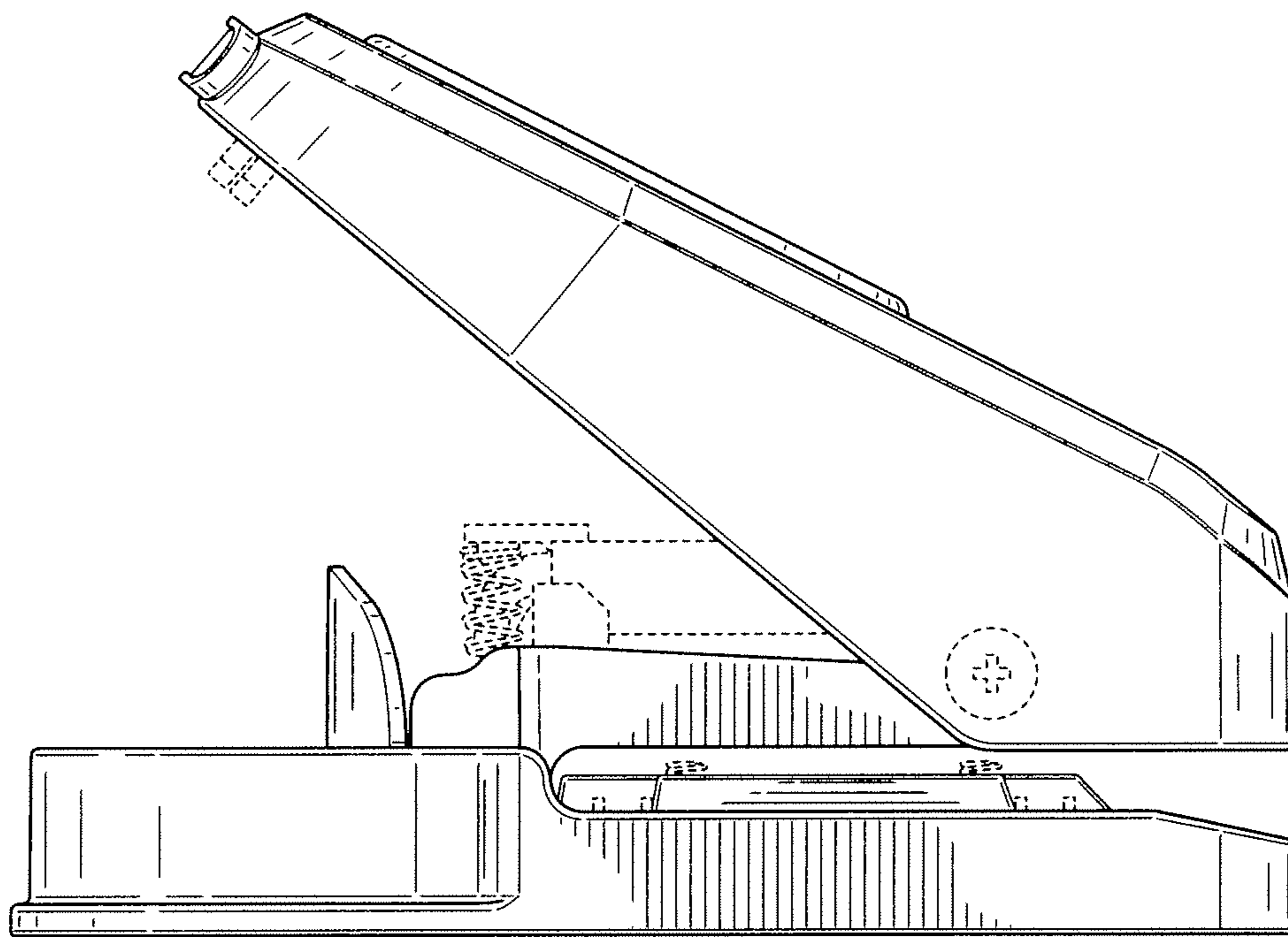


FIG. 4

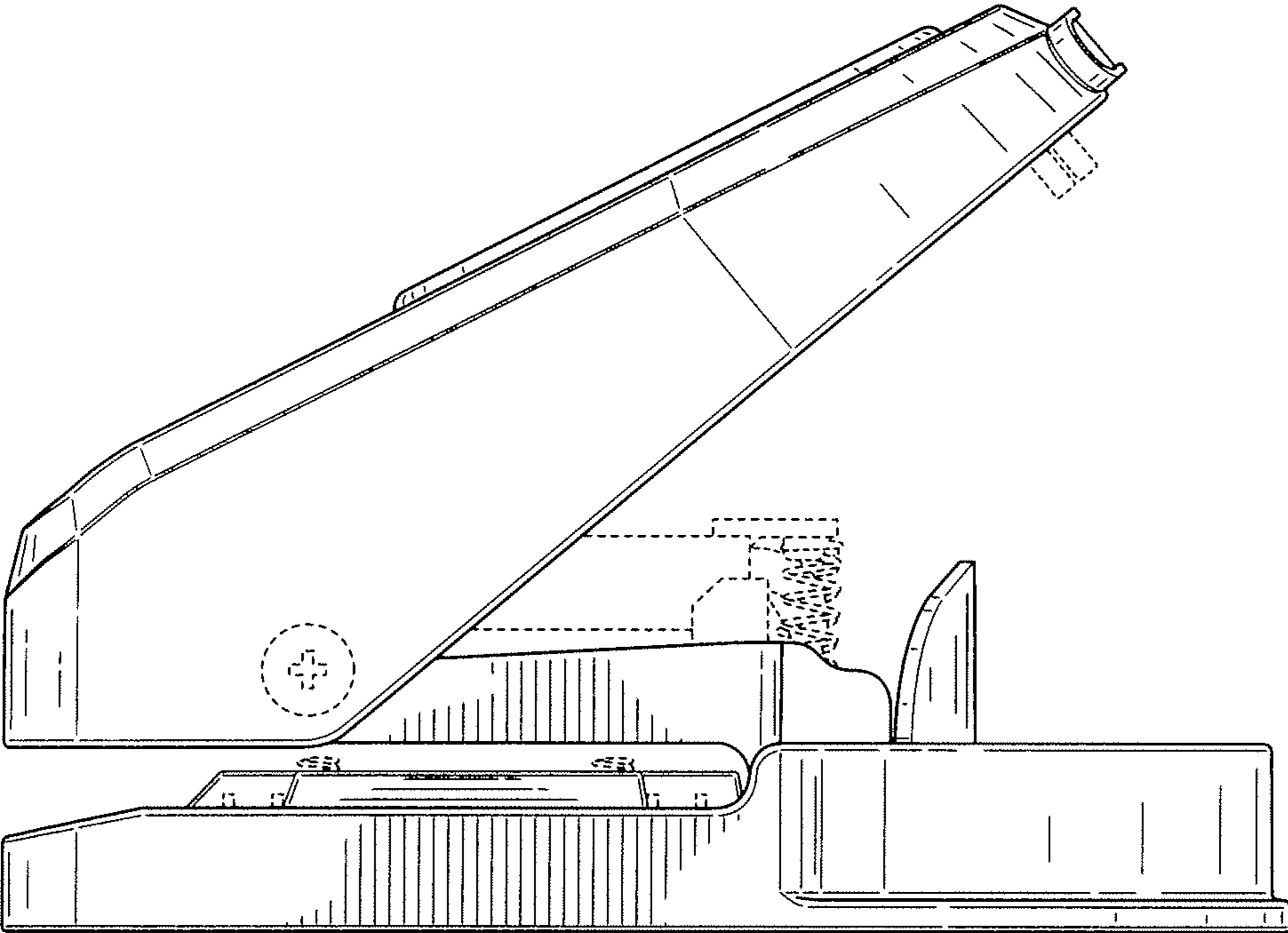


FIG. 5

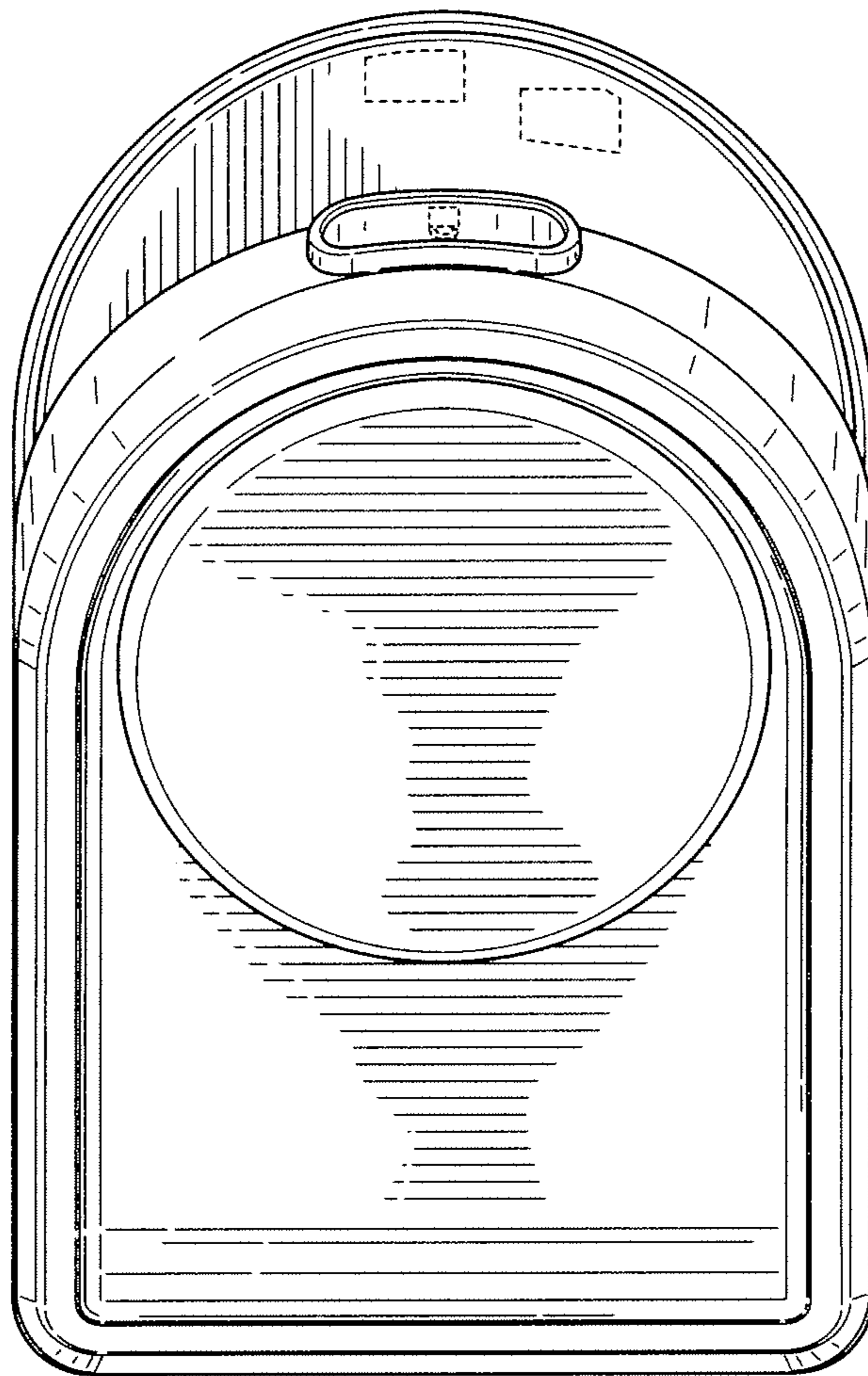


FIG. 6

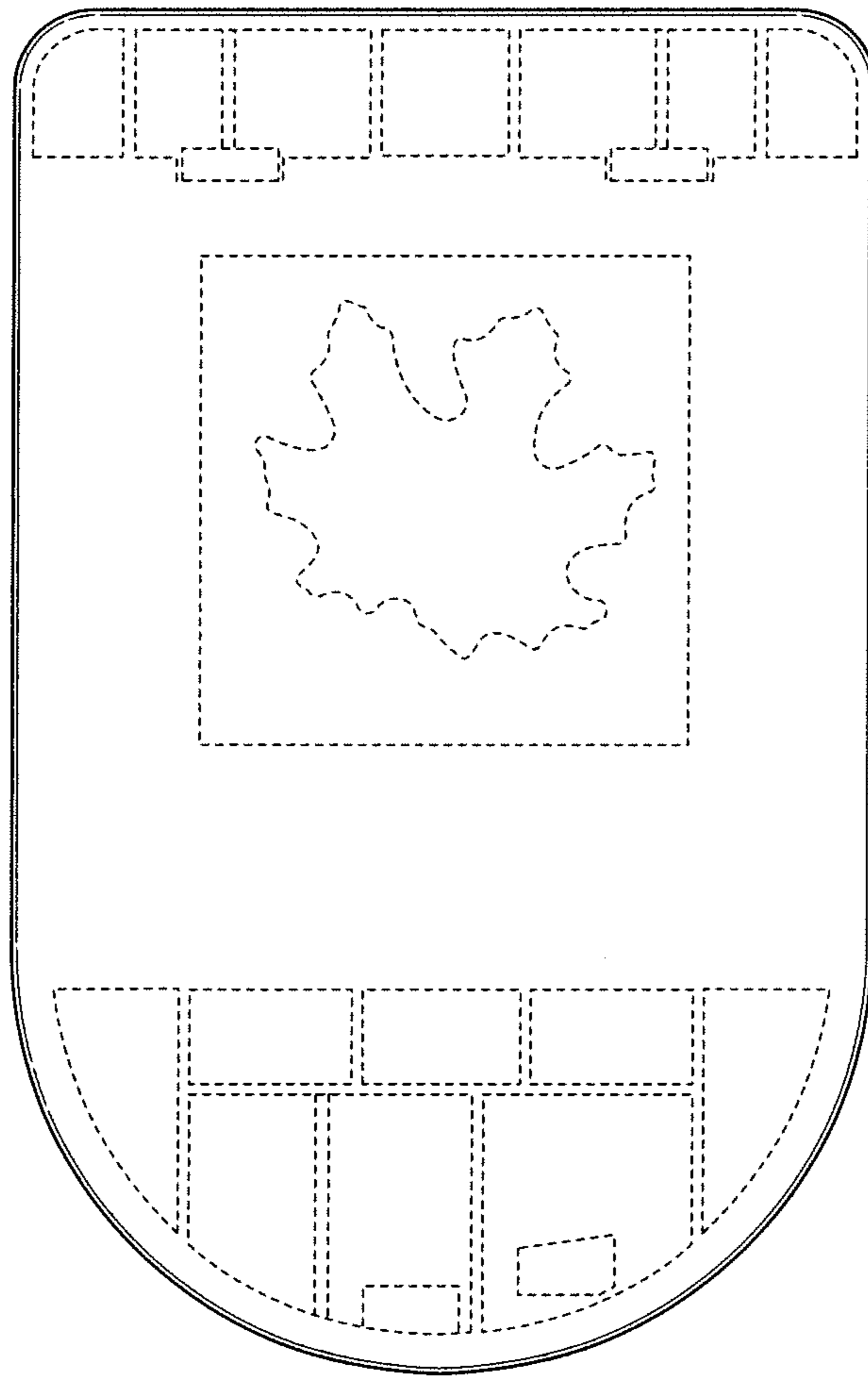


FIG. 7

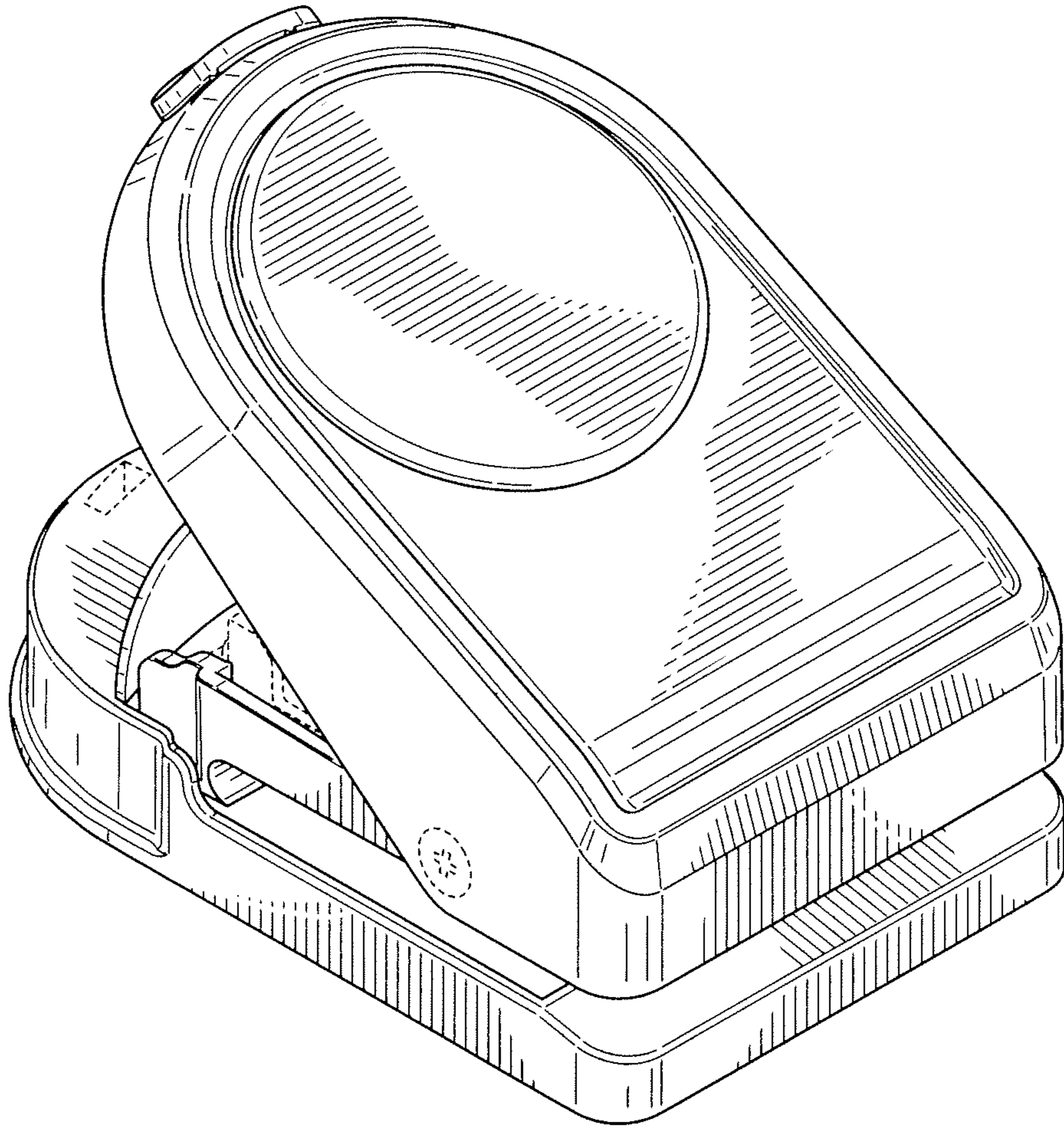


FIG. 8