



US00D711463S

(12) **United States Design Patent**
Costabeber

(10) **Patent No.:** **US D711,463 S**

(45) **Date of Patent:** **** Aug. 19, 2014**

(54) **STEREOLITHOGRAPHY MACHINE**

(71) Applicant: **DWS S.R.L., Zane' (IT)**

(72) Inventor: **Ettore Maurizio Costabeber, Zane' (IT)**

(73) Assignee: **DWS S.R.L., Zane' (IT)**

(**) Term: **14 Years**

(21) Appl. No.: **29/461,787**

(22) Filed: **Jul. 26, 2013**

(30) **Foreign Application Priority Data**

Feb. 18, 2013 (EM) 002185736

(51) **LOC (10) Cl.** **14-02**

(52) **U.S. Cl.**
USPC **D18/50; D14/300**

(58) **Field of Classification Search**
USPC D18/14, 19, 36-39, 50, 53, 54, 54.1,
D18/55; D15/135; D14/420-425, 462-470;
400/613, 613.1-613.4, 690.1-690.4,
400/691-694, 300, 301, 308; 101/38.1;
134/21, 37; 264/113, 308, 401, 497,
264/642; 425/74.4; 700/117, 119
See application file for complete search history.

(56) **References Cited**

U.S. PATENT DOCUMENTS

D250,019 S * 10/1978 Pycha et al. D14/308
D298,943 S * 12/1988 Haager et al. D14/311
D308,221 S * 5/1990 Kojima D18/54
D341,827 S * 11/1993 Lai et al. D14/308
D363,734 S * 10/1995 Bianco et al. D18/50

5,464,289 A * 11/1995 Beaudry 400/62
5,939,008 A * 8/1999 Comb et al. 264/308
D420,371 S * 2/2000 Strong et al. D15/135
D432,160 S * 10/2000 Kabumoto et al. D18/37
D501,502 S * 2/2005 Scully et al. D18/50
D506,465 S * 6/2005 Geeng D14/308
7,037,382 B2 * 5/2006 Davidson et al. 134/21
D598,906 S * 8/2009 Chiba et al. D14/240
D602,019 S * 10/2009 Wang et al. D14/356
7,686,995 B2 * 3/2010 Davidson et al. 264/113
7,819,055 B2 * 10/2010 Tezuka et al. 101/38.1
8,017,055 B2 * 9/2011 Davidson et al. 264/308
8,252,223 B2 * 8/2012 Medina et al. 264/401
8,318,076 B2 * 11/2012 Wang et al. 264/401
D677,723 S * 3/2013 Buel et al. D18/59
D688,741 S * 8/2013 Joyce D18/50
2006/0192322 A1 * 8/2006 Abe et al. 264/497

* cited by examiner

Primary Examiner — Cathy A MacCormac

(74) *Attorney, Agent, or Firm* — Workman Nydegger

(57) **CLAIM**

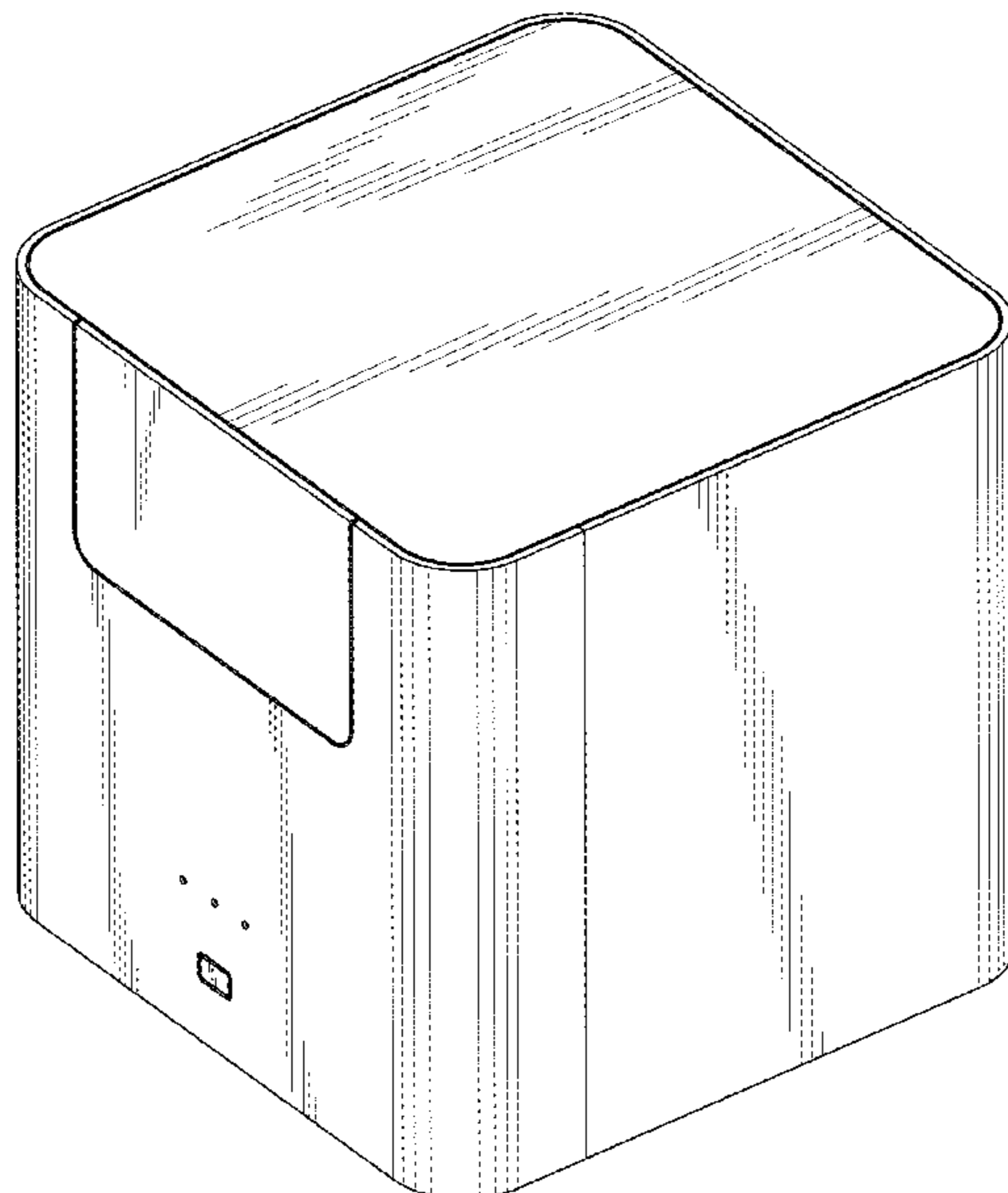
The ornamental design for a stereolithography machine, as shown and described.

DESCRIPTION

FIG. 1 is a perspective view of a stereolithography machine showing my new design;
FIG. 2 is a front elevational view thereof;
FIG. 3 is a rear elevational view thereof;
FIG. 4 is a right side elevational view thereof;
FIG. 5 is a left side elevational view thereof; and,
FIG. 6 is a top plan view thereof.

The broken lines showing features of the design are for the purpose of illustration only and form no part of the claimed design.

1 Claim, 6 Drawing Sheets



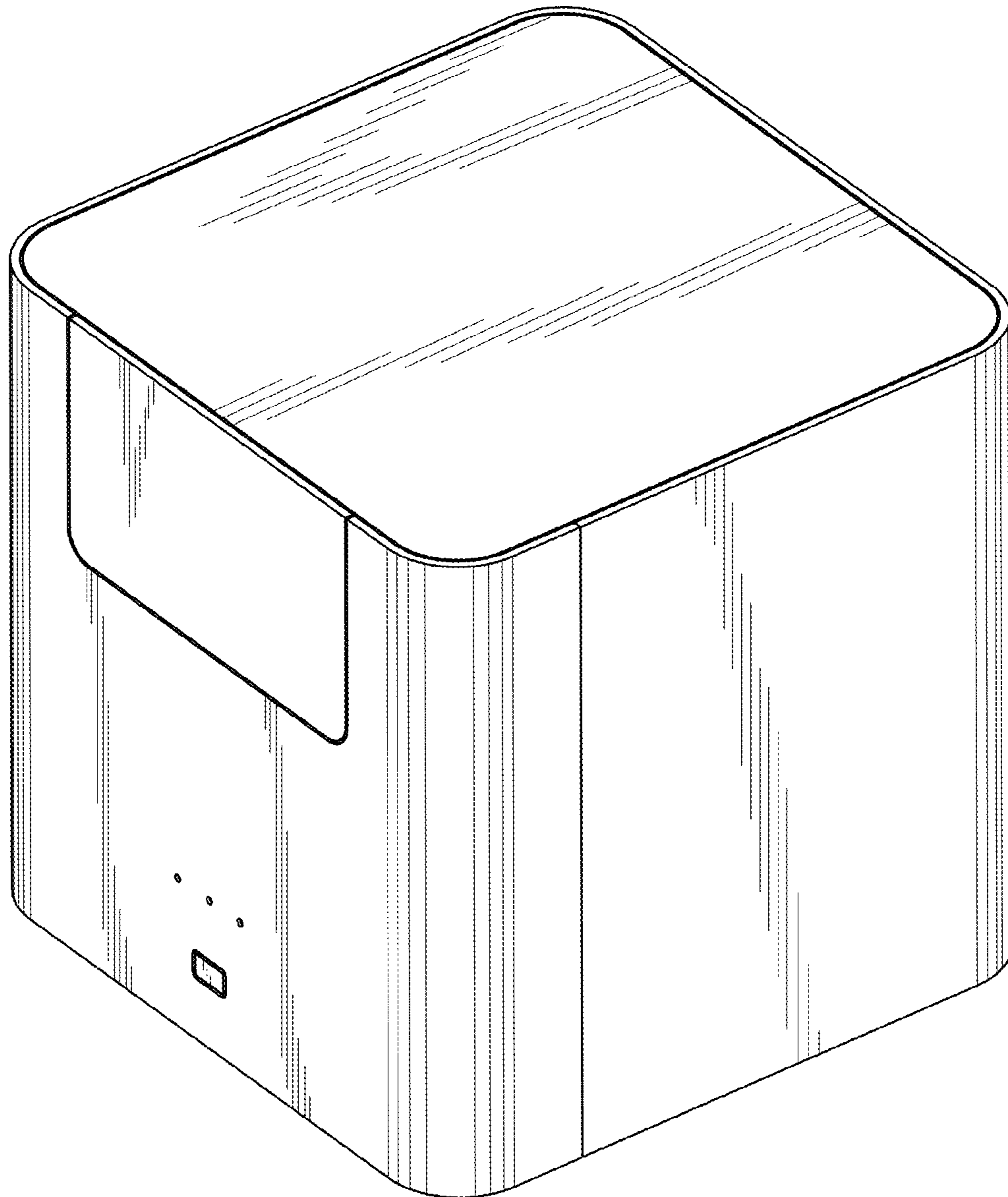


FIG. 1

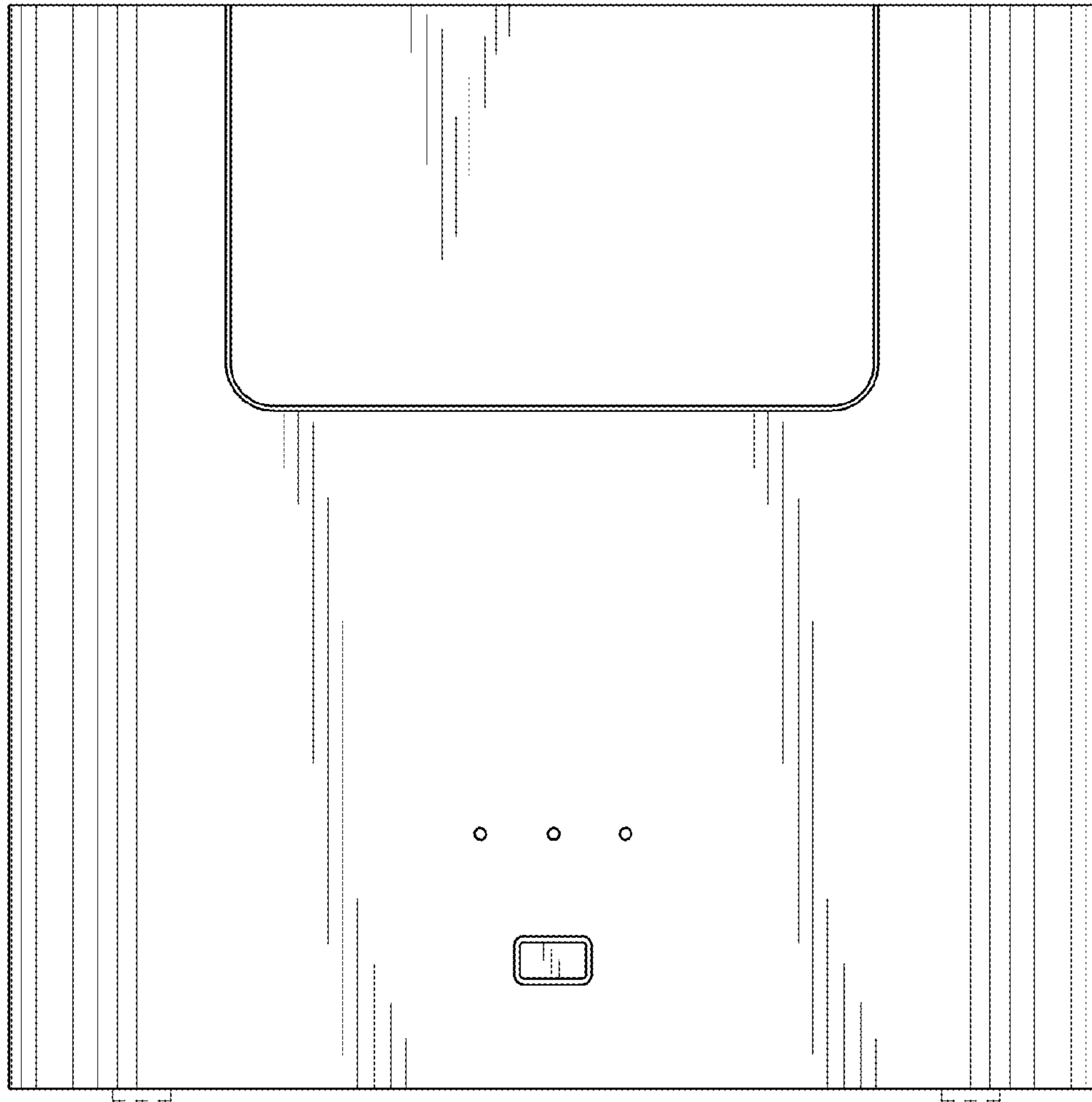


FIG. 2

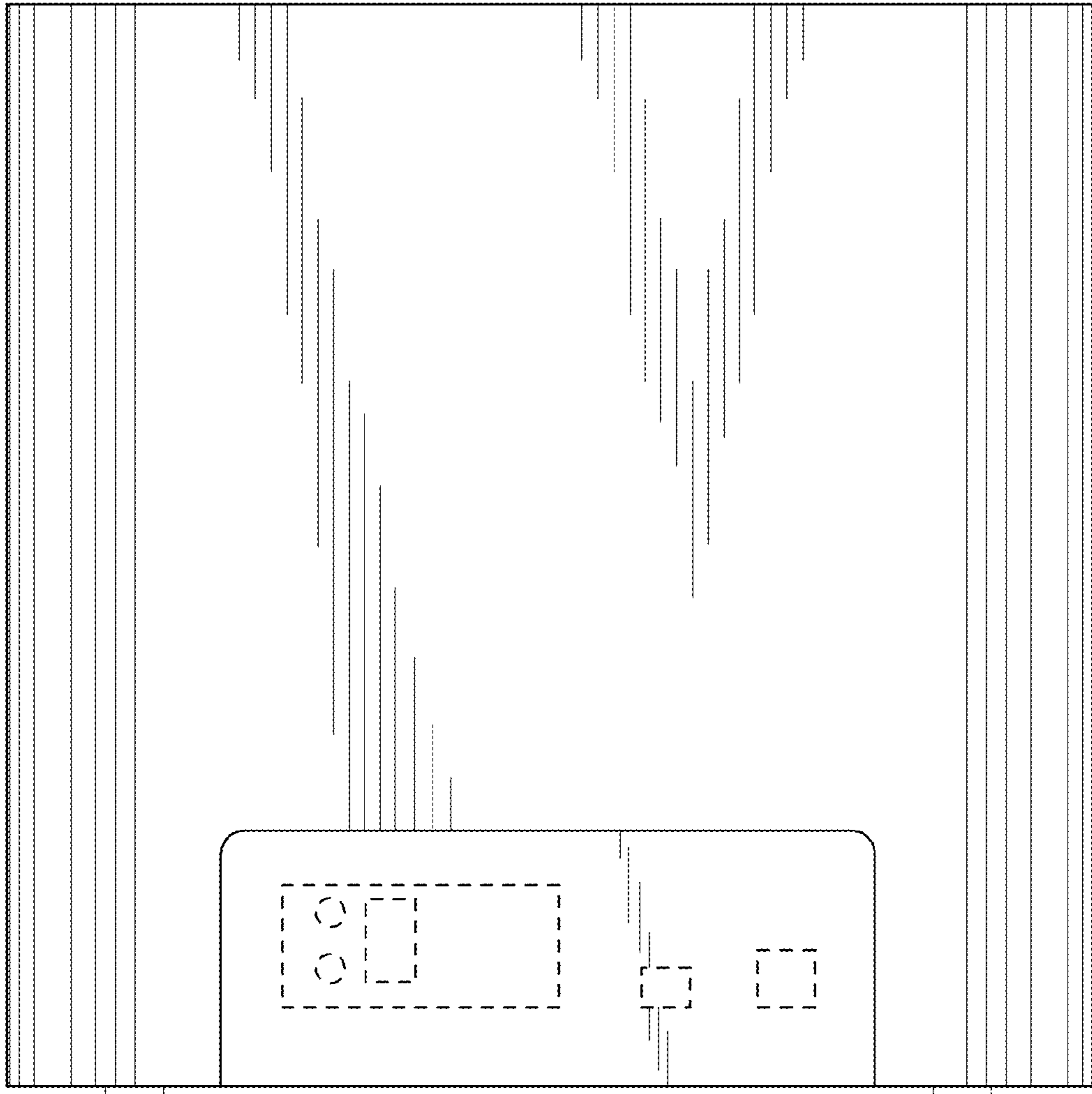


FIG. 3

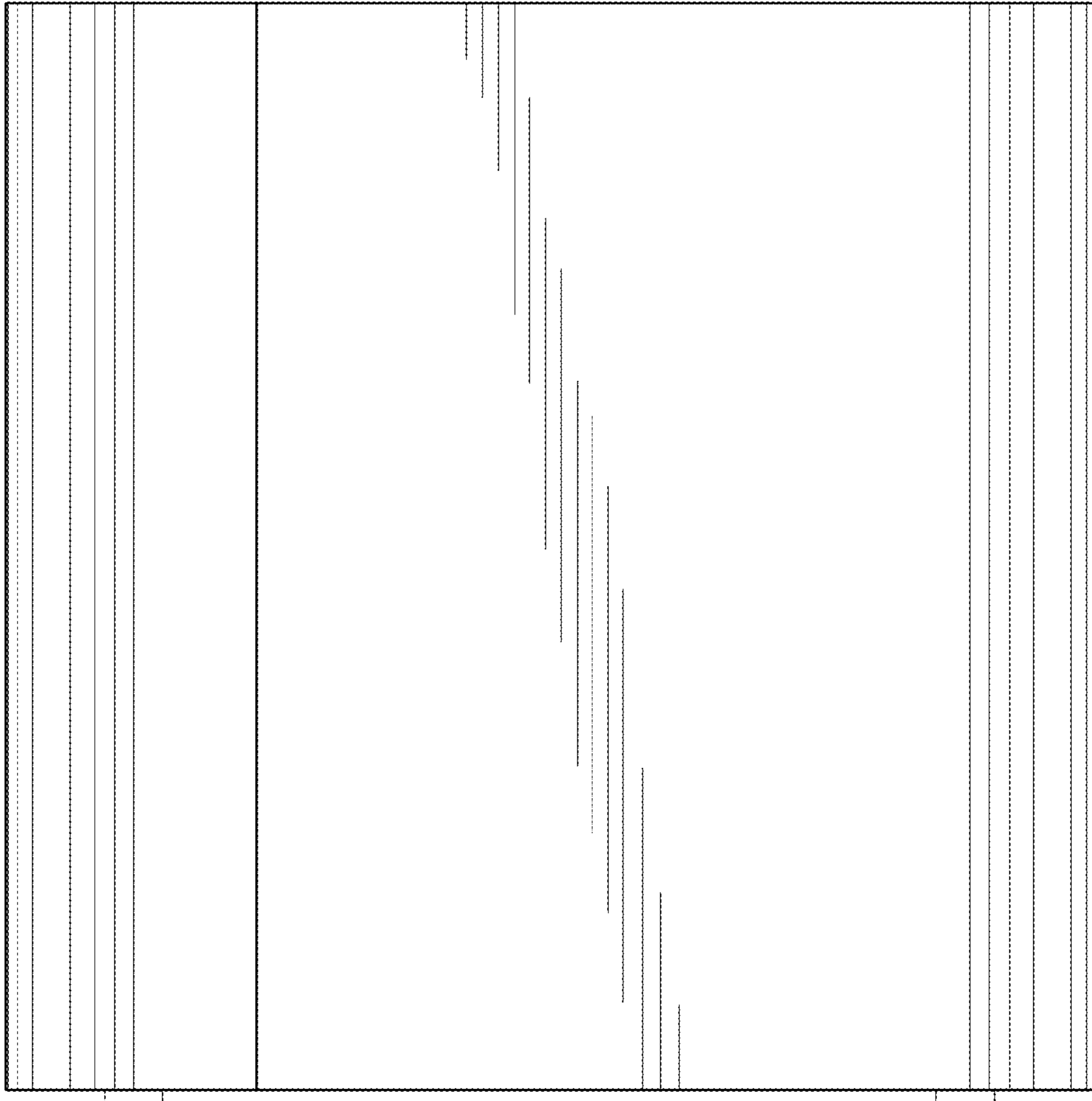


FIG. 4

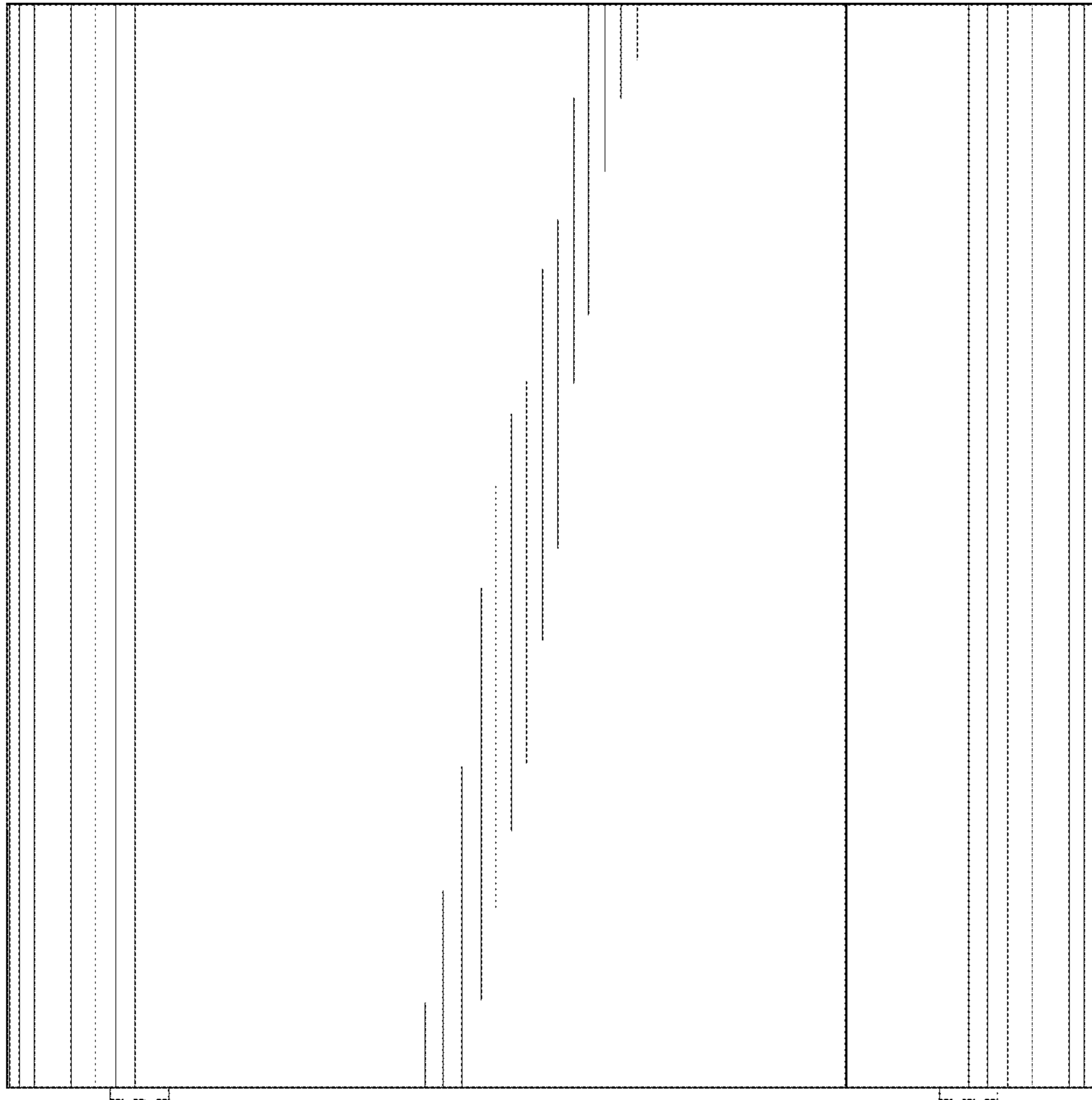


FIG. 5

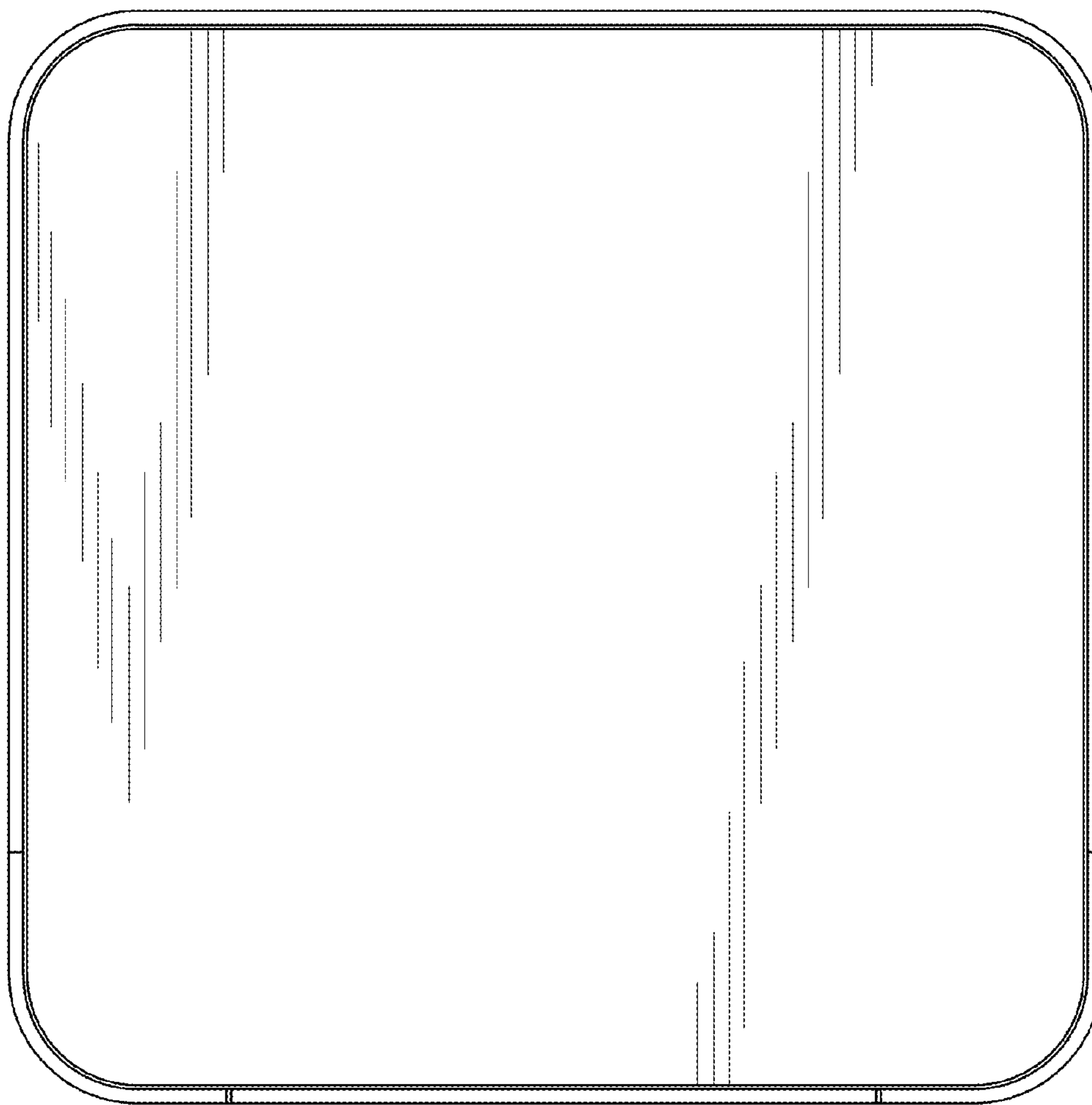


FIG. 6