



US00D711462S

(12) **United States Design Patent**  
**Jimba et al.**

(10) **Patent No.:** **US D711,462 S**

(45) **Date of Patent:** **\*\* Aug. 19, 2014**

(54) **TONER SUPPLYING CARTRIDGE**  
(71) Applicant: **Canon Kabushiki Kaisha**, Tokyo (JP)  
(72) Inventors: **Manabu Jimba**, Toride (JP); **Ayatomo Okino**, Moriya (JP); **Akihito Kamura**, Kashiwa (JP); **Nobuyuki Yomoda**, Matsudo (JP); **Yusuke Oizumi**, Toride (JP)

(73) Assignee: **Canon Kabushiki Kaisha**, Tokyo (JP)

(\*\*) Term: **14 Years**

(21) Appl. No.: **29/449,191**

(22) Filed: **Mar. 14, 2013**

(30) **Foreign Application Priority Data**

Feb. 18, 2013 (JP) ..... 2013-003194

(51) **LOC (10) Cl.** ..... **16-03**

(52) **U.S. Cl.**  
USPC ..... **D18/43**

(58) **Field of Classification Search**  
CPC ..... G03G 15/0832; G03G 15/0839; G03G 15/0834; G03G 2215/0685; G03G 2215/0665  
USPC ..... D18/12, 36, 40, 43, 44, 56; D14/471; 347/49, 50, 86, 197, 222; 399/11, 106, 399/119, 120, 230, 258; 222/DIG. 1, 325  
See application file for complete search history.

(56) **References Cited**

**U.S. PATENT DOCUMENTS**

D376,614 S \* 12/1996 Ichikawa et al. .... D18/43  
D615,584 S 5/2010 Jimba et al. .... D18/43  
D616,491 S 5/2010 Yomoda et al. .... D18/43

D622,759 S \* 8/2010 Yoshida et al. .... D18/43  
D636,435 S \* 4/2011 Naito et al. .... D18/43  
D655,748 S \* 3/2012 Takami ..... D18/43  
D656,181 S \* 3/2012 Kikuchi et al. .... D18/43  
D685,841 S \* 7/2013 Okino et al. .... D18/43  
D689,129 S \* 9/2013 Okino et al. .... D18/43  
2007/0170211 A1 \* 7/2007 Hattori ..... 222/325

**FOREIGN PATENT DOCUMENTS**

JP 1454982 S 11/2012  
JP 1455334 S 11/2012

\* cited by examiner

*Primary Examiner* — Thomas Johannes

*Assistant Examiner* — Chelsea Sealey

(74) *Attorney, Agent, or Firm* — Fitzpatrick, Cella, Harper & Scinto

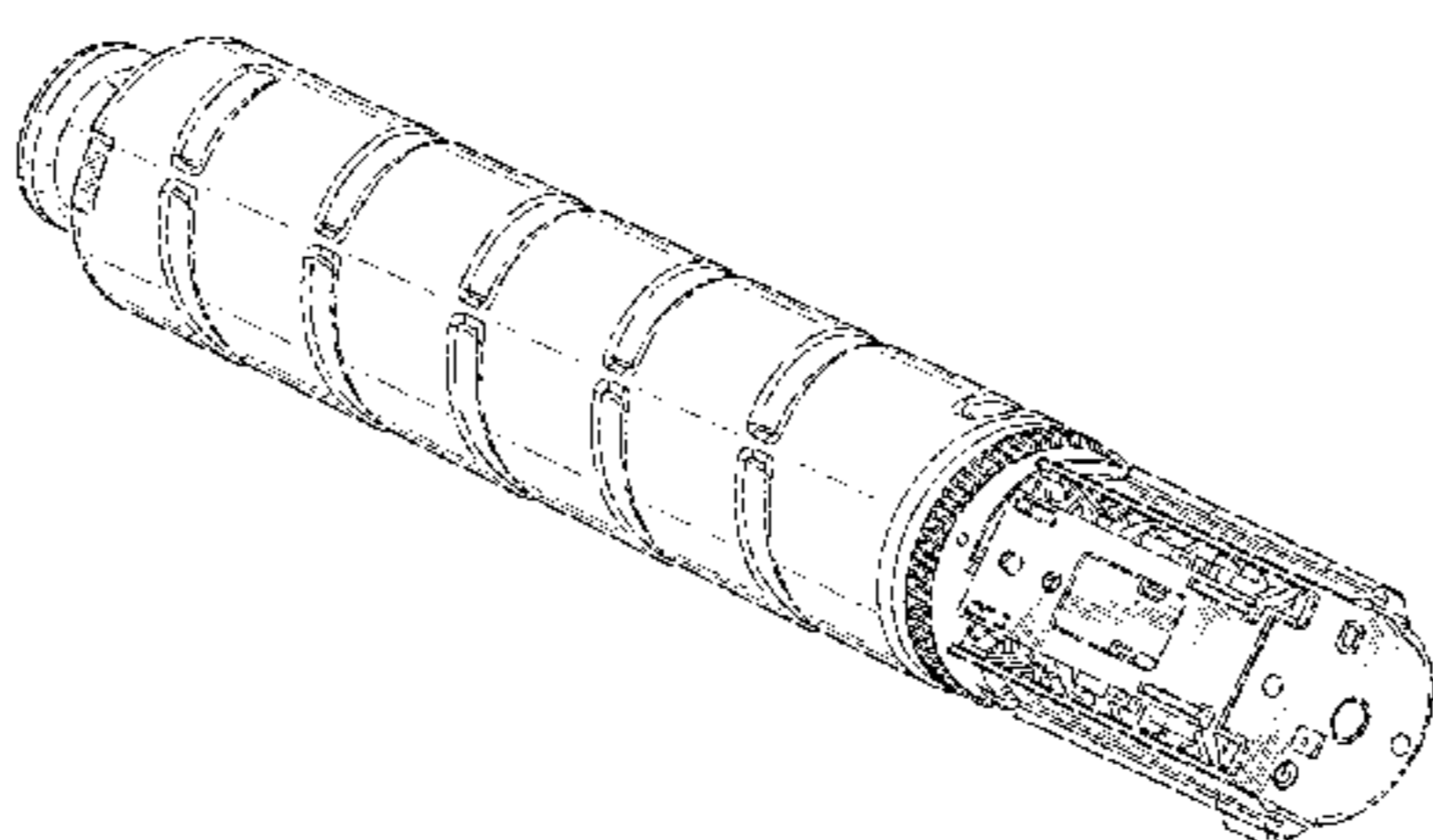
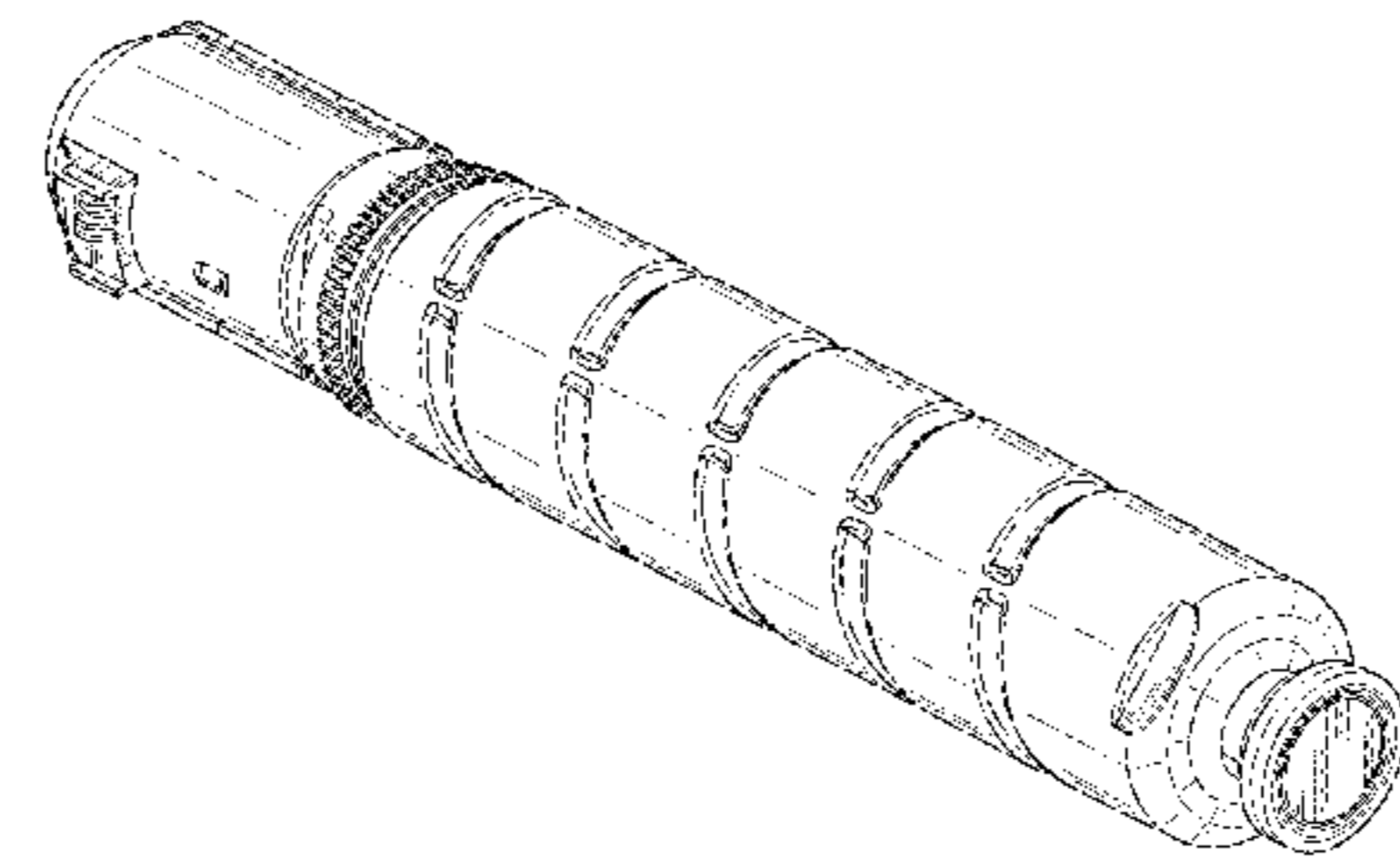
(57) **CLAIM**

The ornamental design for a toner supplying cartridge, as shown and described.

**DESCRIPTION**

FIG. 1 is a front view of a toner supplying cartridge showing our new design;  
FIG. 2 is a rear view thereof;  
FIG. 3 is a top plan view thereof;  
FIG. 4 is a bottom plan view thereof;  
FIG. 5 is a left side view thereof;  
FIG. 6 is a right side view thereof;  
FIG. 7 is a front, top and right side perspective view thereof;  
FIG. 8 is a front, top and left side perspective view thereof;  
FIG. 9 is a rear, bottom and right side perspective view thereof; and,  
FIG. 10 is a rear, bottom and left side perspective view thereof.

**1 Claim, 5 Drawing Sheets**



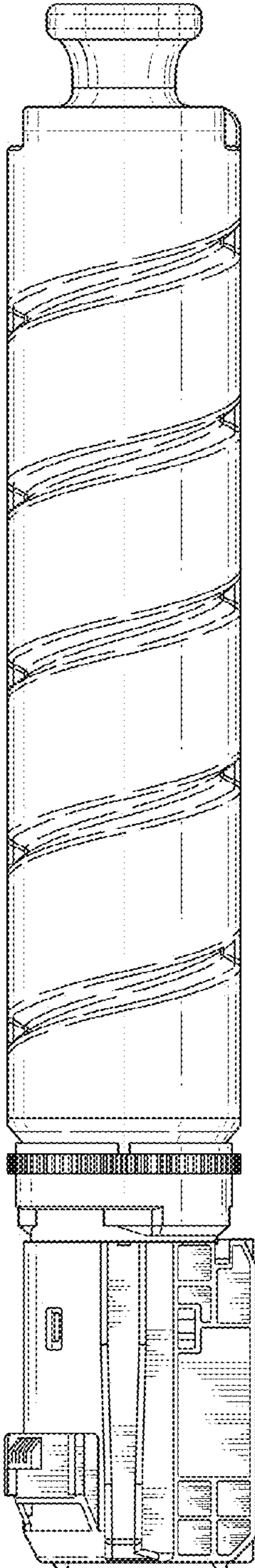


FIG. 1

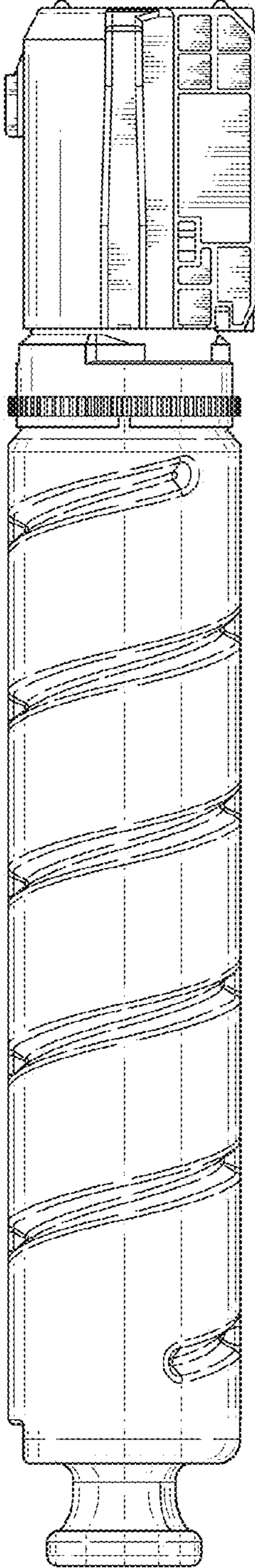


FIG. 2

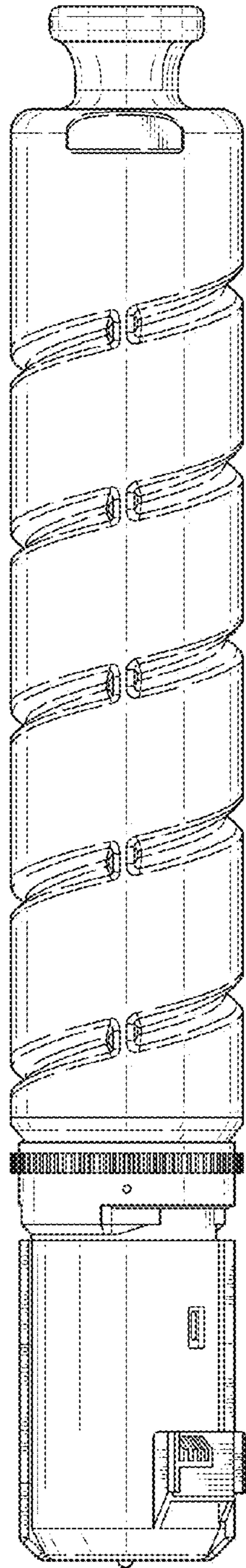


FIG. 3

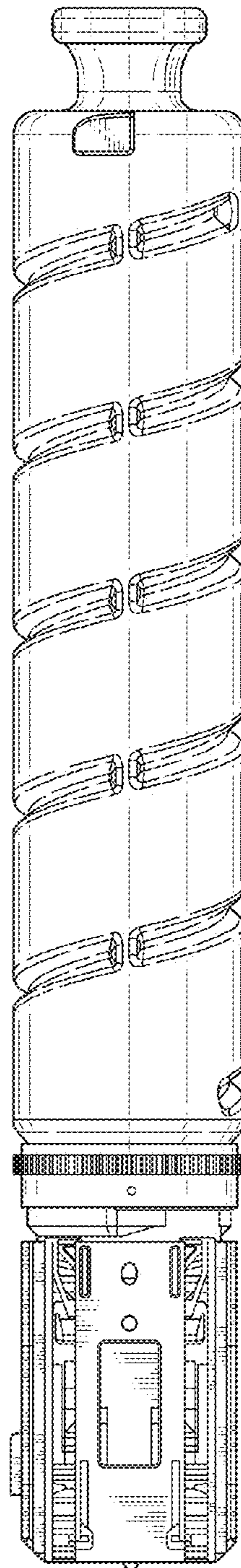


FIG. 4

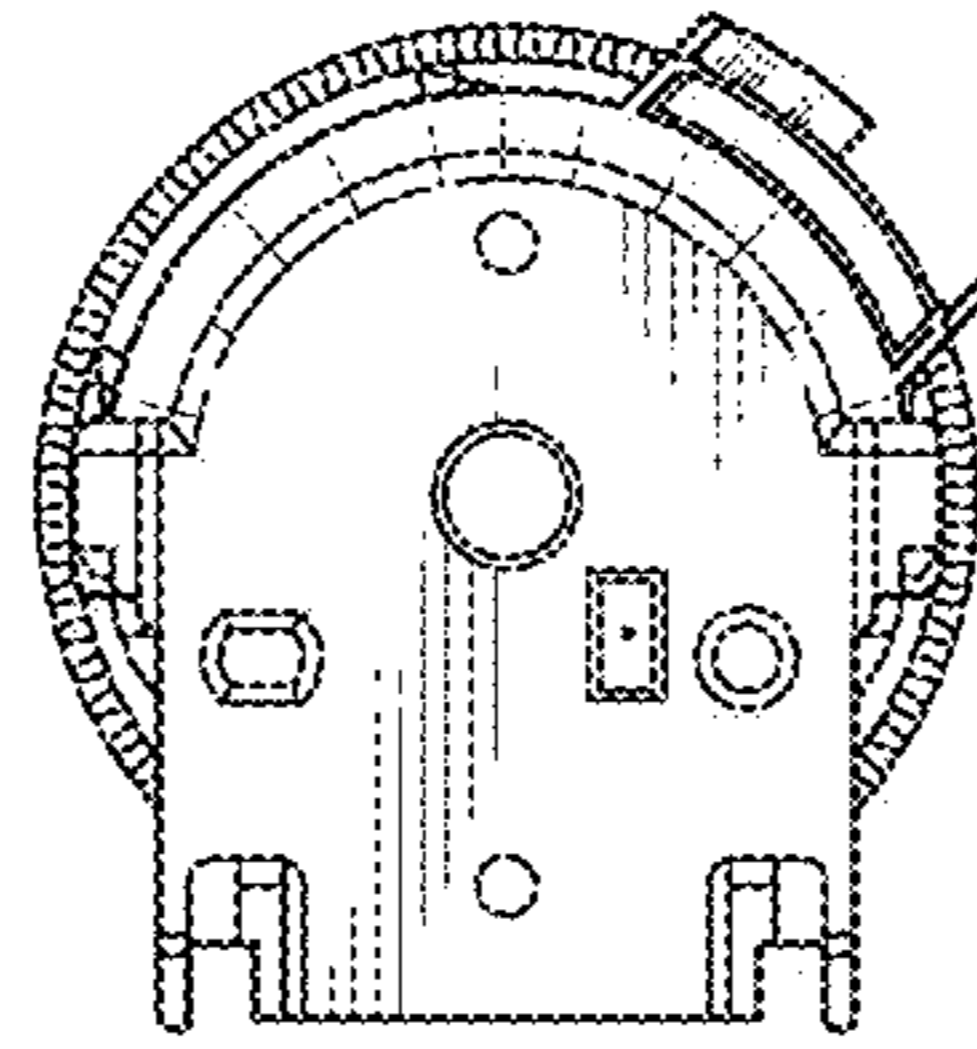


FIG. 5

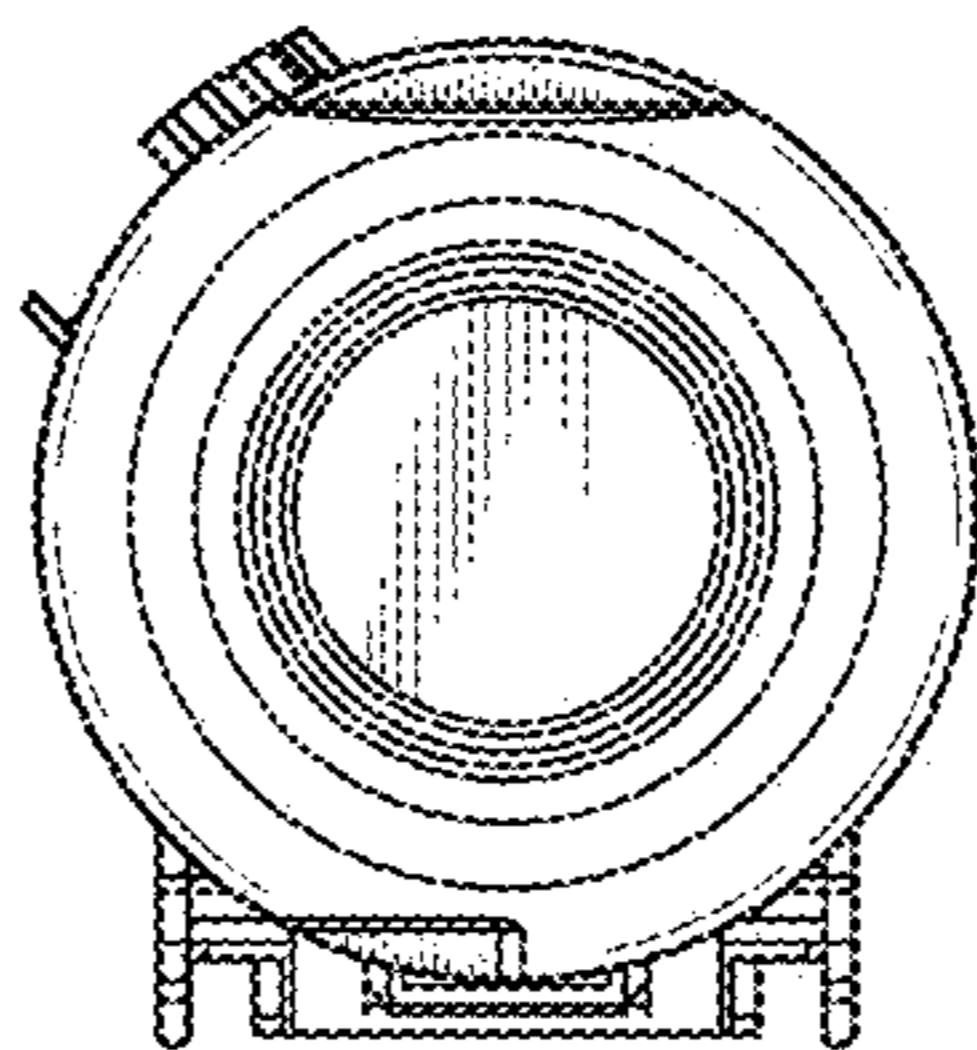


FIG. 6

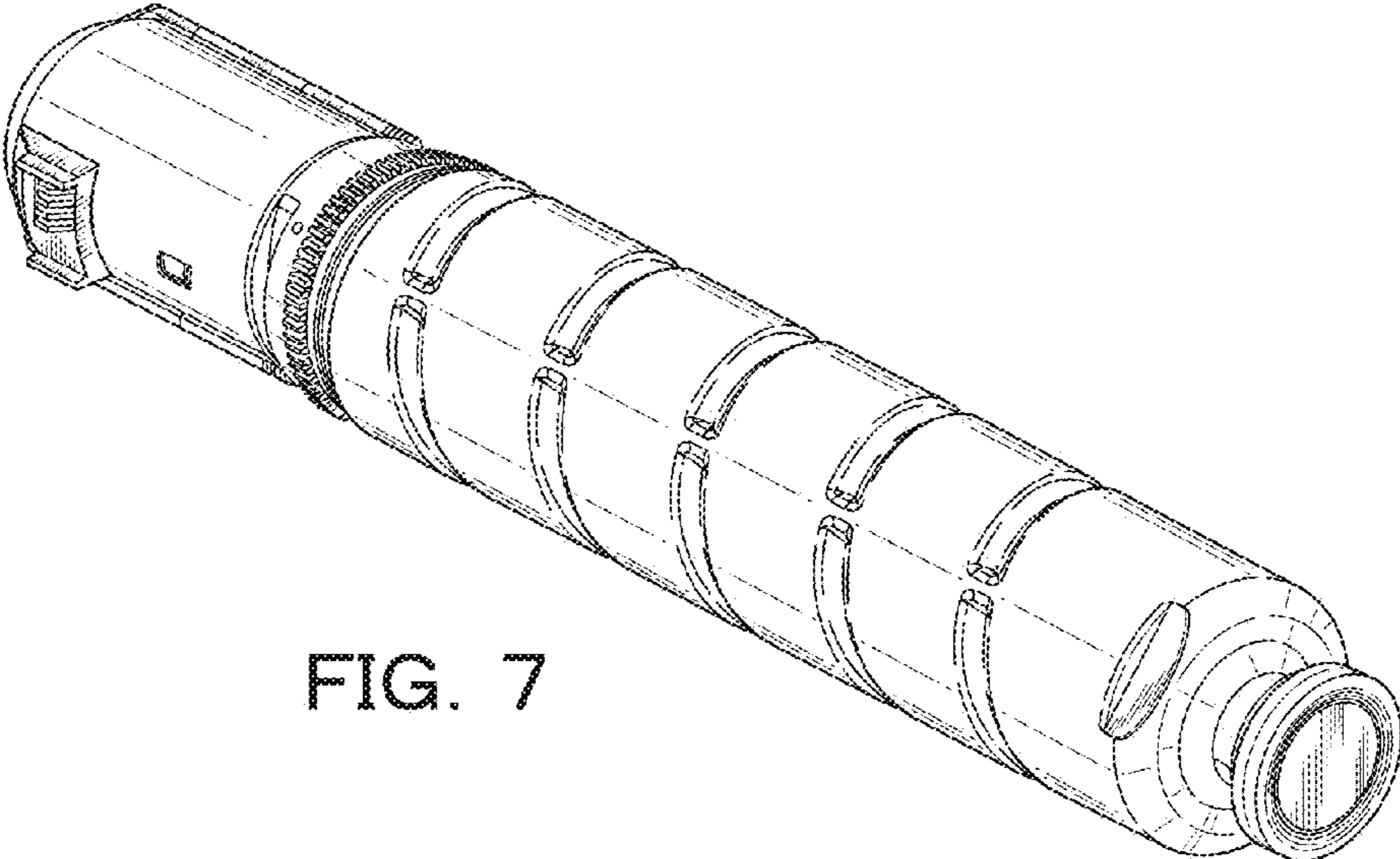


FIG. 7

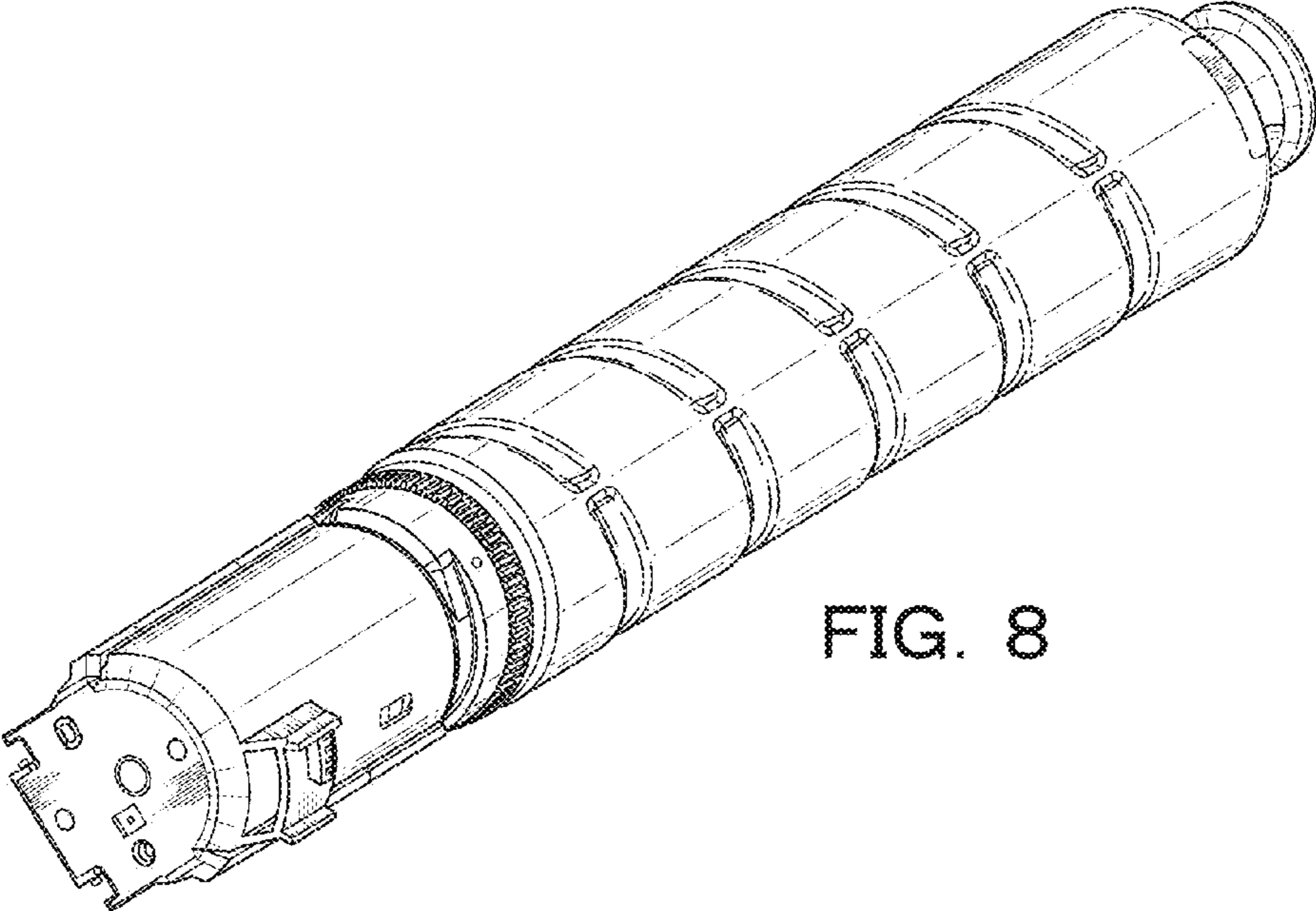


FIG. 8

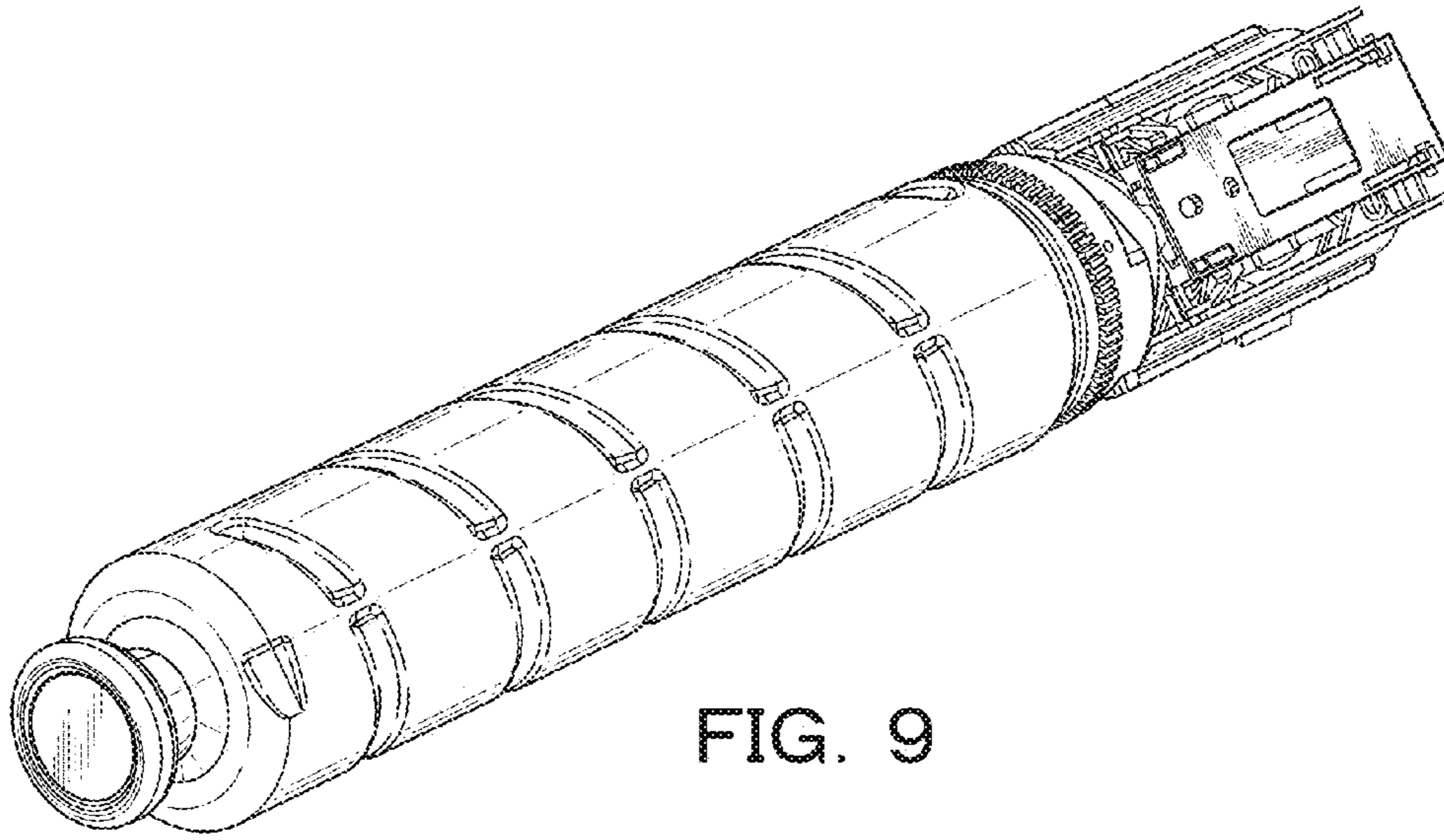


FIG. 9

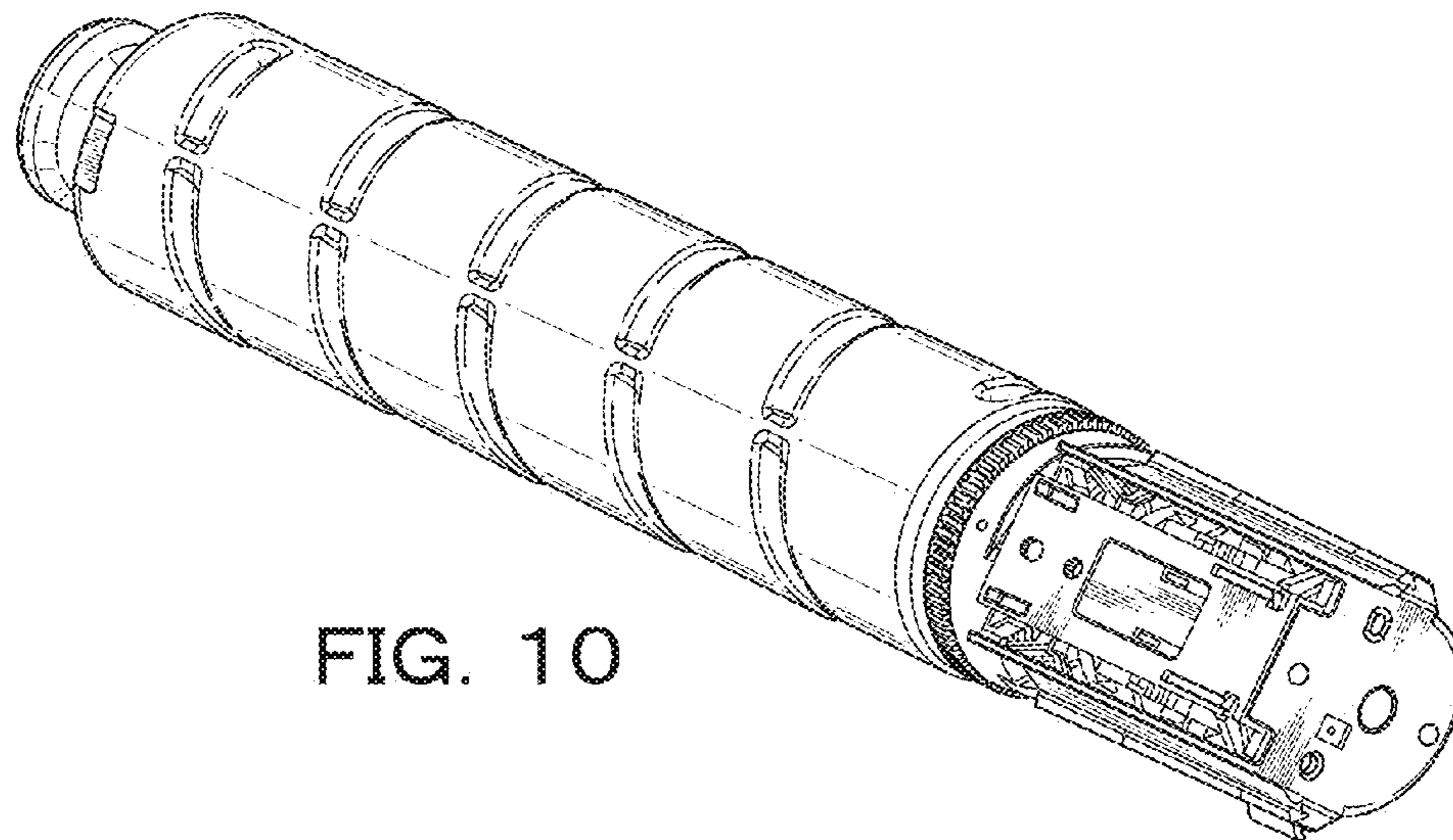


FIG. 10