



US00D711460S

(12) **United States Design Patent**  
**Schwarzkopf et al.**

(10) **Patent No.:** **US D711,460 S**

(45) **Date of Patent:** **\*\* Aug. 19, 2014**

(54) **BILL PRESENTER**

(71) Applicant: **Leaf Holdings, Inc.**, Cambridge, MA  
(US)

(72) Inventors: **Aron Schwarzkopf**, Boston, MA (US);  
**Sebastian Castro**, Boston, MA (US)

(73) Assignee: **Leaf Holdings, Inc.**, Cambridge, MA  
(US)

(\*\*) Term: **14 Years**

(21) Appl. No.: **29/469,734**

(22) Filed: **Oct. 14, 2013**

**Related U.S. Application Data**

(62) Division of application No. 29/418,496, filed on Apr.  
17, 2012.

(51) **LOC (10) Cl.** ..... **18-01**

(52) **U.S. Cl.**  
USPC ..... **D18/4.6**

(58) **Field of Classification Search**  
CPC ..... G07G 1/0054; G06K 7/0004; G06K 7/10  
USPC ..... D14/336, 341, 345, 346, 371-376, 387;  
D18/3.1-3.3, 4.1-4.6, 6-8, 11, 12,  
D18/12.1-12.3; D21/324, 325, 332;  
D99/28, 34-36, 43; 235/1 E, 2, 7 R, 12,  
235/22, 33, 51, 52; 705/12, 15-18, 43

See application file for complete search history.

(56) **References Cited**

U.S. PATENT DOCUMENTS

D239,287 S *	3/1976	Ault .....	D14/341
4,005,388 A *	1/1977	Morley et al. ....	341/23
D267,950 S *	2/1983	Ault .....	D14/455
D273,788 S *	5/1984	Ault .....	D14/455
D285,312 S *	8/1986	Jennings et al. ....	D18/12
D313,426 S *	1/1991	Berriman et al. ....	D18/56
D345,147 S *	3/1994	Fukutake et al. ....	D14/342
D354,276 S *	1/1995	Wilson .....	D18/4.6
D542,449 S *	5/2007	Racoosin et al. ....	D26/51
D624,115 S *	9/2010	Ausems et al. ....	D18/4.6
D673,146 S *	12/2012	Kawano et al. ....	D14/341
2010/0044435 A1 *	2/2010	Ahlberg et al. ....	235/440
2014/0058859 A1 *	2/2014	Alexander .....	705/17

\* cited by examiner

*Primary Examiner* — Elizabeth Albert

(74) *Attorney, Agent, or Firm* — Cooley LLP

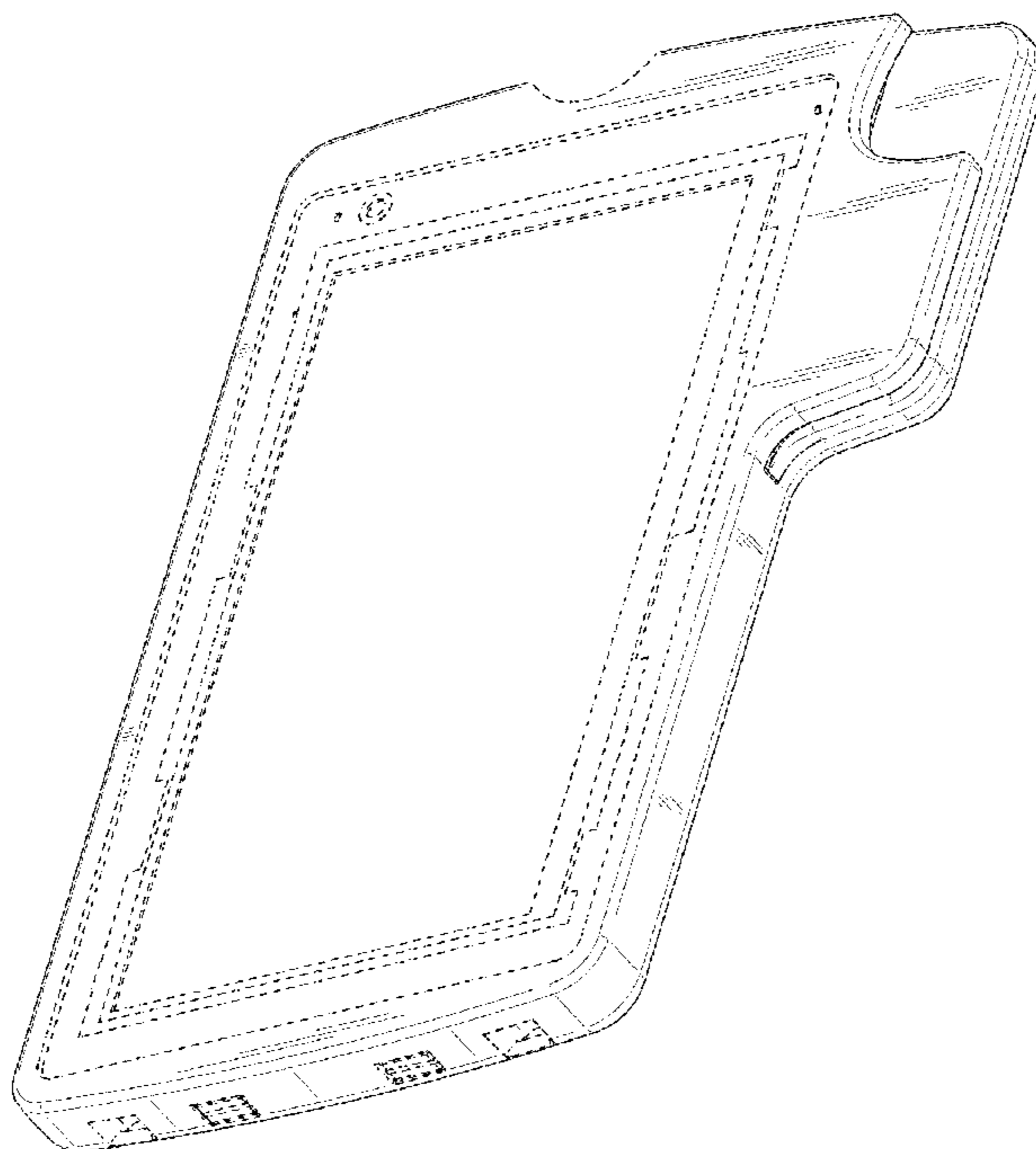
(57) **CLAIM**

The ornamental design for a bill presenter, as shown and described.

**DESCRIPTION**

FIG. 1 is a perspective view of the bill presenter showing our new design;  
FIG. 2 is a front view thereof;  
FIG. 3 is a back view thereof;  
FIG. 4 is a top view thereof;  
FIG. 5 is a bottom view thereof;  
FIG. 6 is a left side view thereof; and,  
FIG. 7 is a right side view thereof.  
The broken lines are included for the purpose of illustrating portions of the bill presenter that form no part of the claimed design.

**1 Claim, 5 Drawing Sheets**



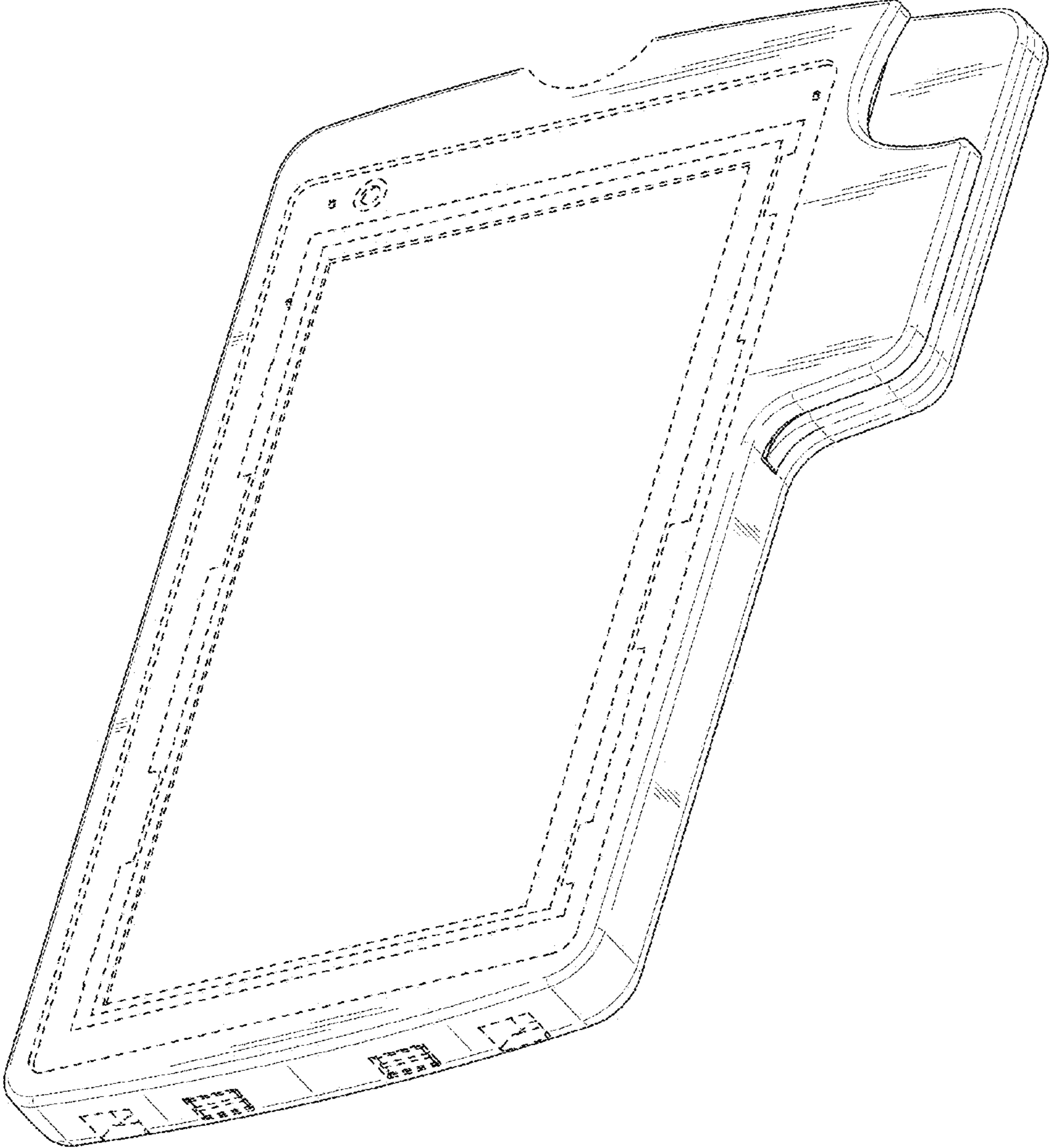


FIG.1

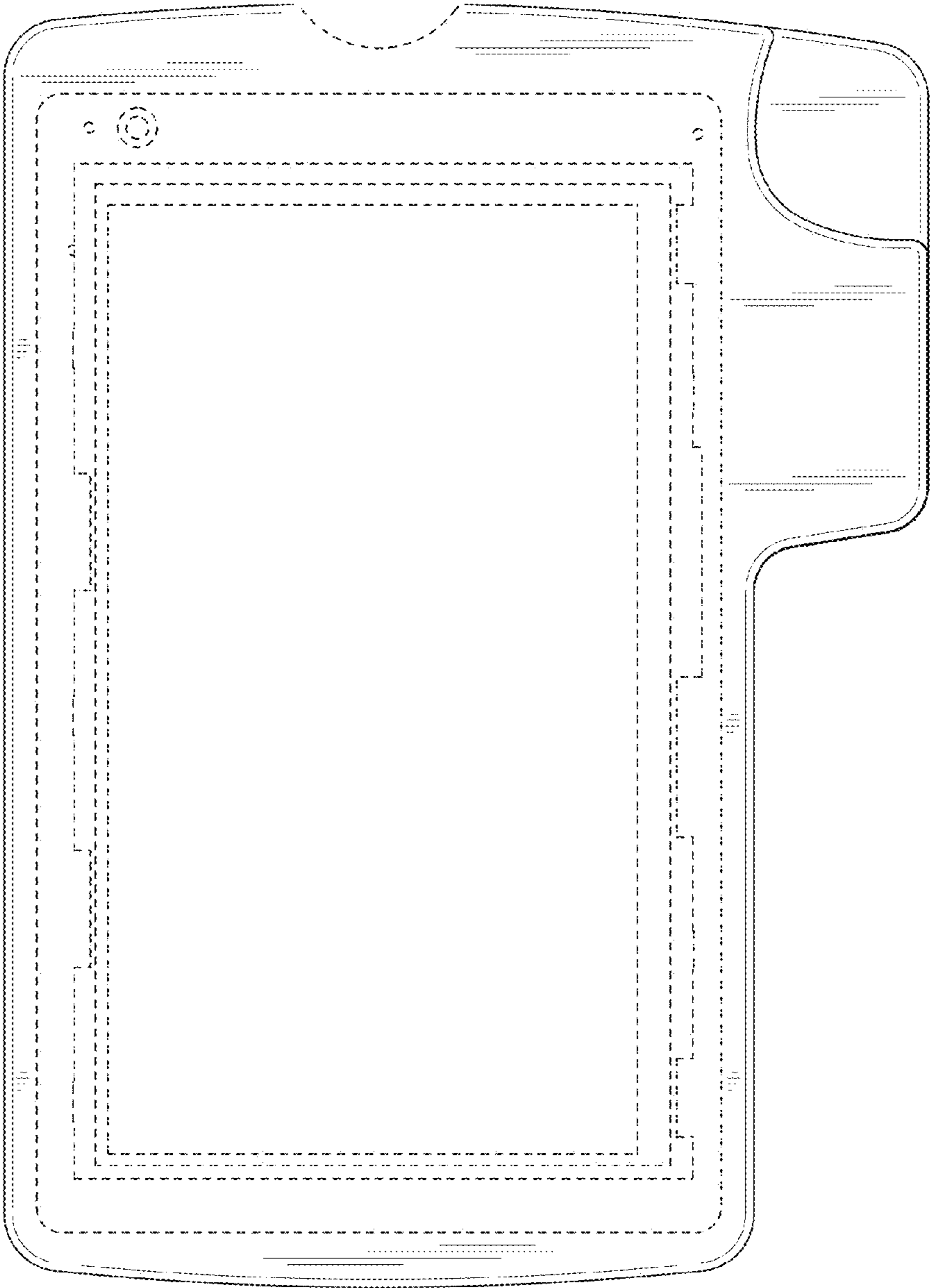


FIG. 2

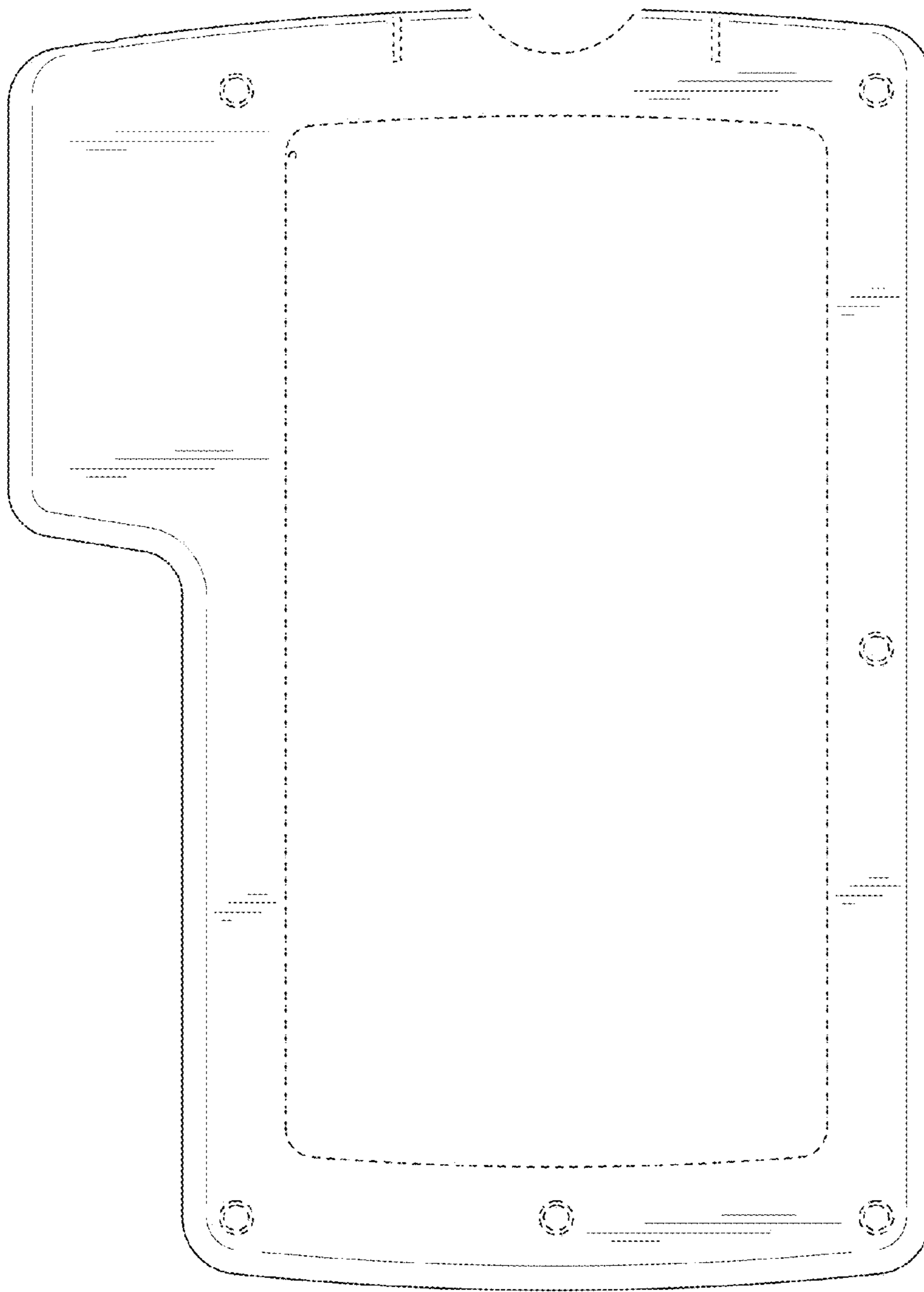


FIG. 3



FIG. 4

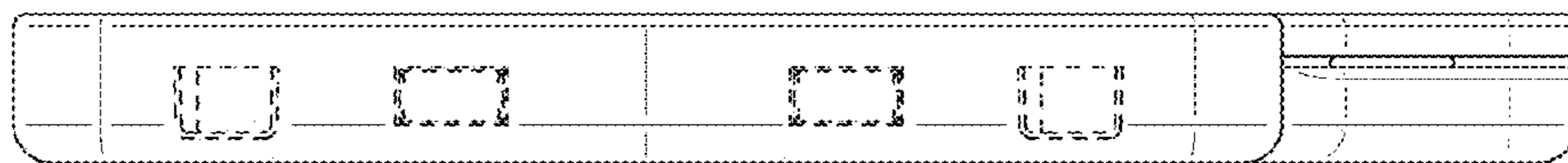


FIG. 5

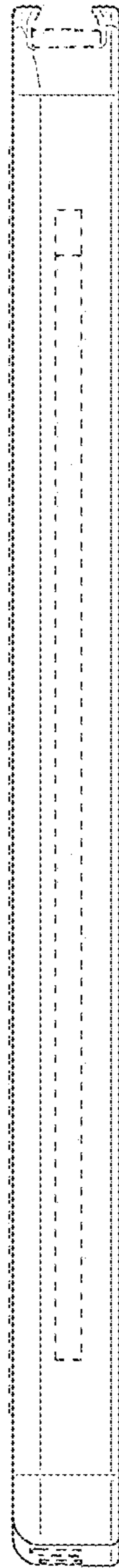


FIG. 6

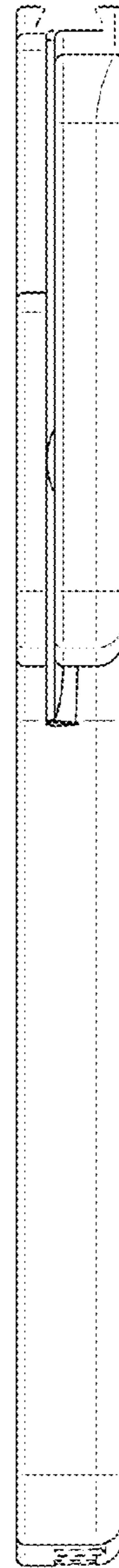


FIG. 7