



US00D711457S

(12) **United States Design Patent**
Tatsumi

(10) **Patent No.:** **US D711,457 S**
(45) **Date of Patent:** **** Aug. 19, 2014**

- (54) **MUTE**
- (71) Applicant: **Yamaha Corpotion**, Hamamatsu (JP)
- (72) Inventor: **Keizo Tatsumi**, Hamamatsu (JP)
- (73) Assignee: **Yamaha Corporation**, Shizuoka (JP)
- (**) Term: **14 Years**
- (21) Appl. No.: **29/465,889**
- (22) Filed: **Sep. 3, 2013**
- (51) **LOC (10) Cl.** **17-02**
- (52) **U.S. Cl.**
USPC **D17/13**
- (58) **Field of Classification Search**
CPC G10D 7/00; G10D 7/02; G10D 7/023;
G10D 7/026; G10D 7/08; G10D 7/10; G10D
9/00; G10D 9/023; G10D 9/06
USPC D17/10, 11, 13, 99; 84/330, 380 R, 381,
84/382, 383 A, 384, 385 R, 386, 387 R,
84/391, 395, 398, 400, 453, 456, 470 R;
D21/405, 411
See application file for complete search history.

(56) **References Cited**

U.S. PATENT DOCUMENTS

239,613 A * 4/1881 Langrehr 446/209
1,301,147 A * 4/1919 Magin 84/400

(Continued)

Primary Examiner — Rashida Johnson

(74) *Attorney, Agent, or Firm* — Sughrue Mion, PLLC

(57) **CLAIM**

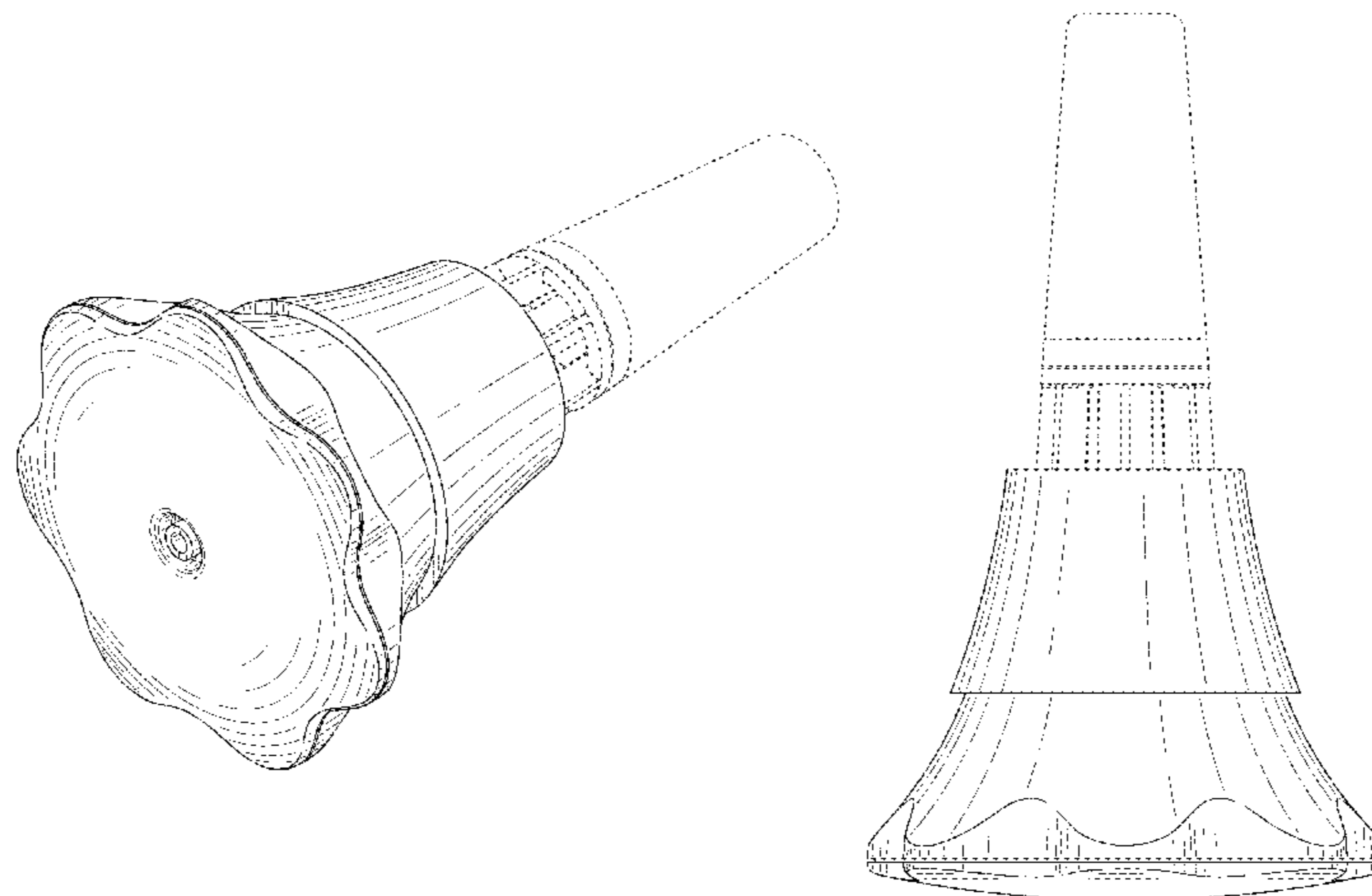
The ornamental design for a mute, as shown and described.

DESCRIPTION

FIG. 1 is a perspective view of the front, top and right side of a mute according to a first embodiment showing my new design;

FIG. 2 is a perspective view of the rear, top and right side thereof;
 FIG. 3 is a front view thereof;
 FIG. 4 is a rear view thereof;
 FIG. 5 is a left side view thereof;
 FIG. 6 is a right side view thereof;
 FIG. 7 is a top plan view thereof;
 FIG. 8 is a bottom view thereof;
 FIG. 9 is a perspective view of the front, top and right side of a mute according to a second embodiment showing my new design;
 FIG. 10 is a perspective view of the rear, top and right side thereof;
 FIG. 11 is a front view thereof;
 FIG. 12 is a rear view thereof;
 FIG. 13 is a left side view thereof;
 FIG. 14 is a right side view thereof;
 FIG. 15 is a top plan view thereof;
 FIG. 16 is a bottom view thereof;
 FIG. 17 is a perspective view of the front, top and left side of a mute according to a third embodiment showing my new design;
 FIG. 18 is a perspective view of the rear, top and right side thereof;
 FIG. 19 is a front view thereof;
 FIG. 20 is a rear view thereof;
 FIG. 21 is a left side view thereof;
 FIG. 22 is a right side view thereof;
 FIG. 23 is a top plan view thereof;
 FIG. 24 is a bottom view thereof;
 FIG. 25 is a perspective view of the front, top and right side of a mute according to a fourth embodiment showing my new design;
 FIG. 26 is a perspective view of the rear, top and right side thereof;
 FIG. 27 is a front view thereof;
 FIG. 28 is a rear view thereof;
 FIG. 29 is a left side view thereof;
 FIG. 30 is a right side view thereof;
 FIG. 31 is a top plan view thereof; and,
 FIG. 32 is a bottom view thereof.
 The broken lines shown are included for the purpose of illustrating the unclaimed portions of a mute and form no part of the claimed design.

1 Claim, 20 Drawing Sheets



(56)

References Cited

U.S. PATENT DOCUMENTS

1,404,008	A *	1/1922	Burnham	446/209	3,760,679	A *	9/1973	Gossick et al.	84/400
D71,647	S *	12/1926	Magosy	D17/13	D258,215	S *	2/1981	Berg	D17/13
3,240,460	A *	3/1966	Petersen	248/188.8	4,304,166	A *	12/1981	Stefano et al.	84/385 A
D223,726	S *	5/1972	Crown	D17/13	5,488,893	A *	2/1996	Lewis et al.	84/400
						D381,037	S *	7/1997	Hamanaga	D17/13
						D386,197	S *	11/1997	Hamanaga	D17/13
						D505,692	S *	5/2005	Lee	D17/13

* cited by examiner

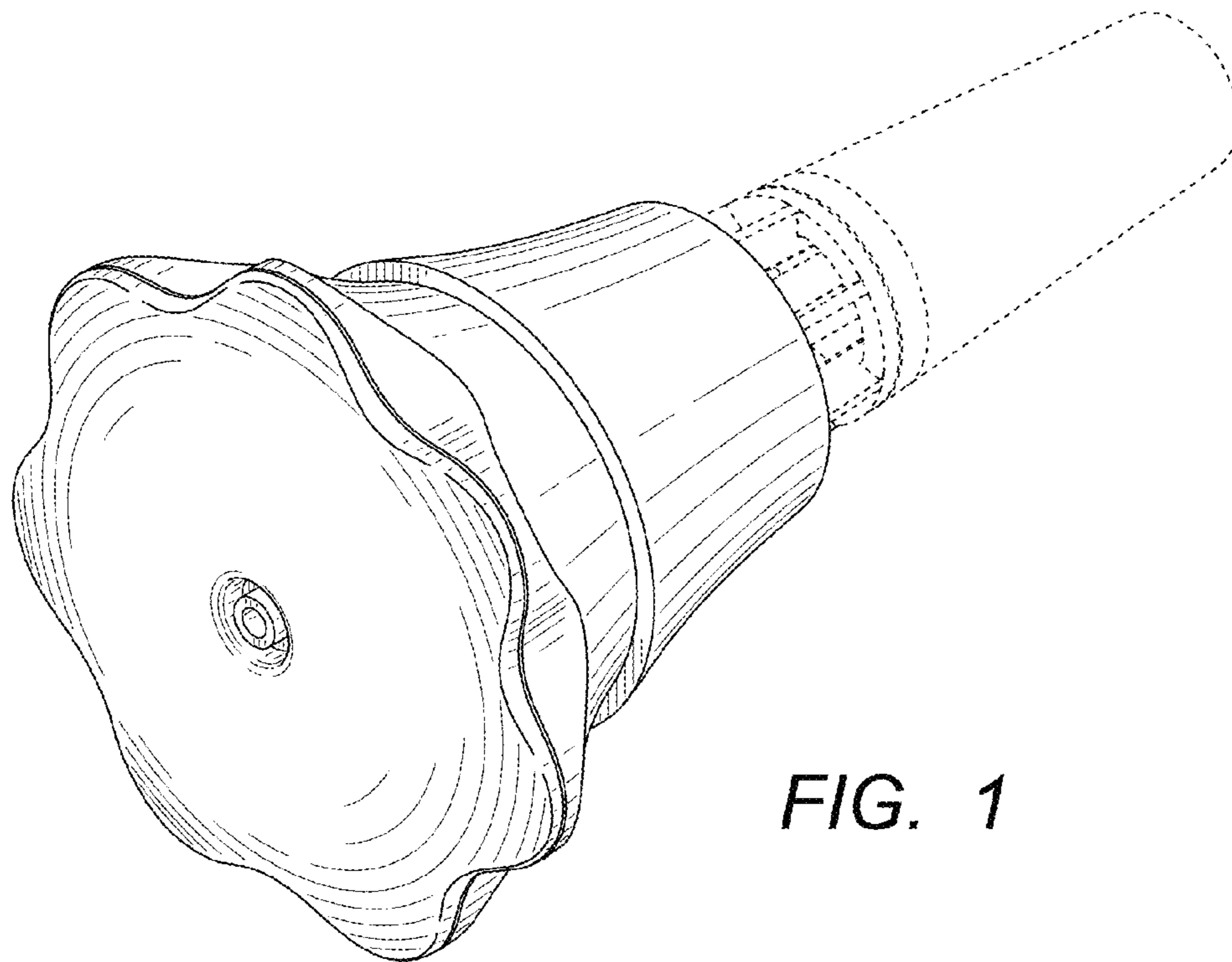


FIG. 1

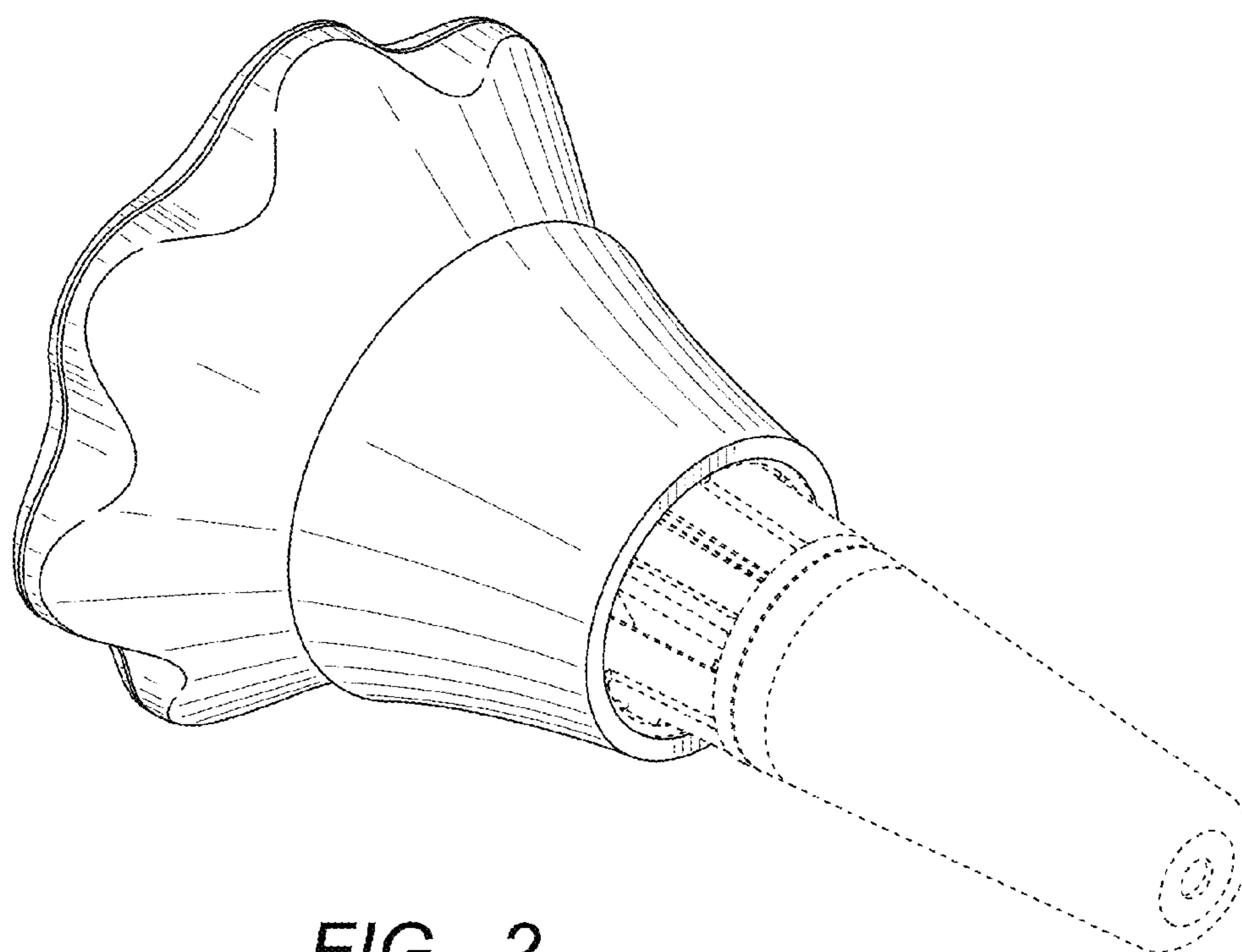


FIG. 2

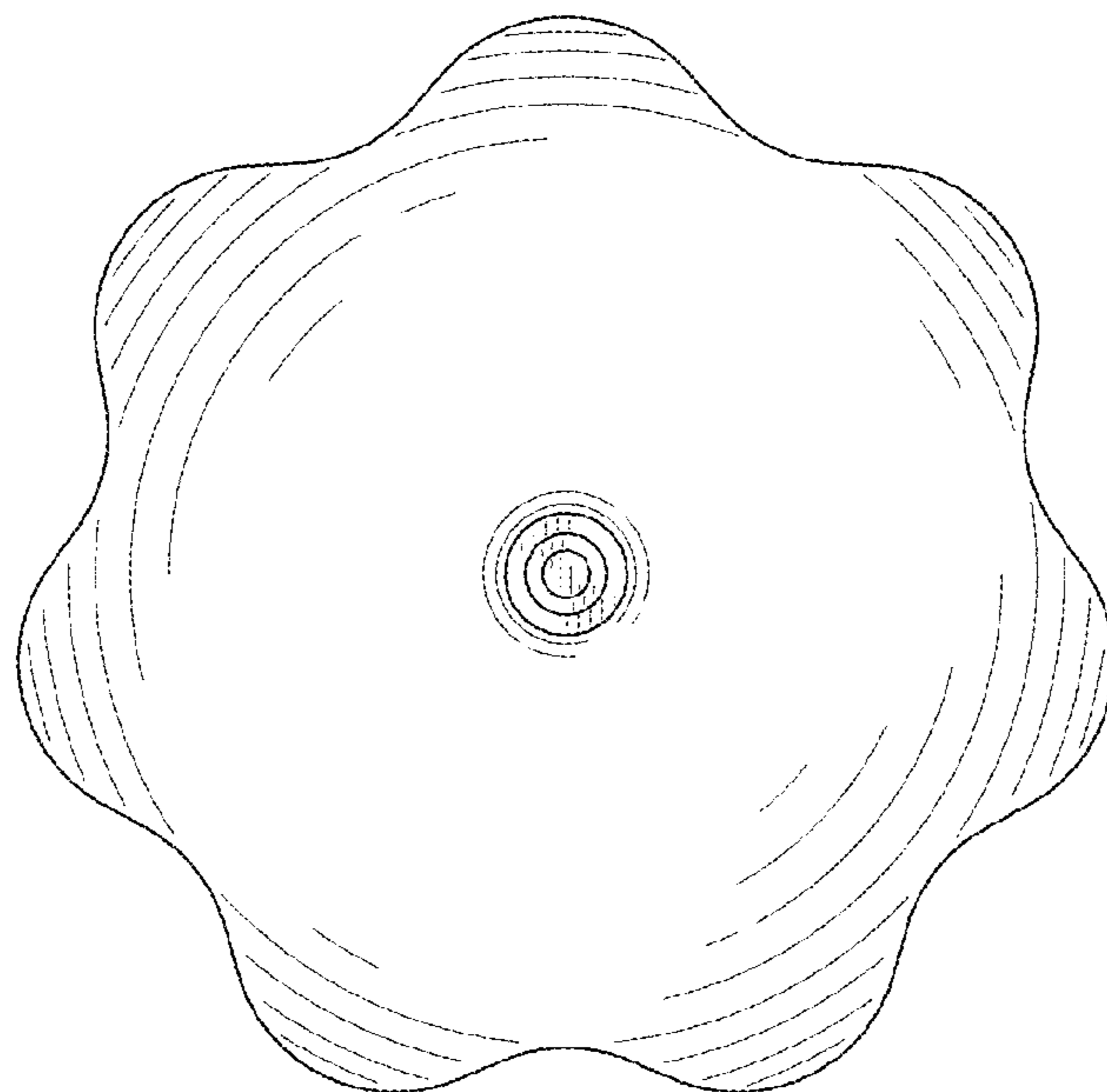


FIG. 3

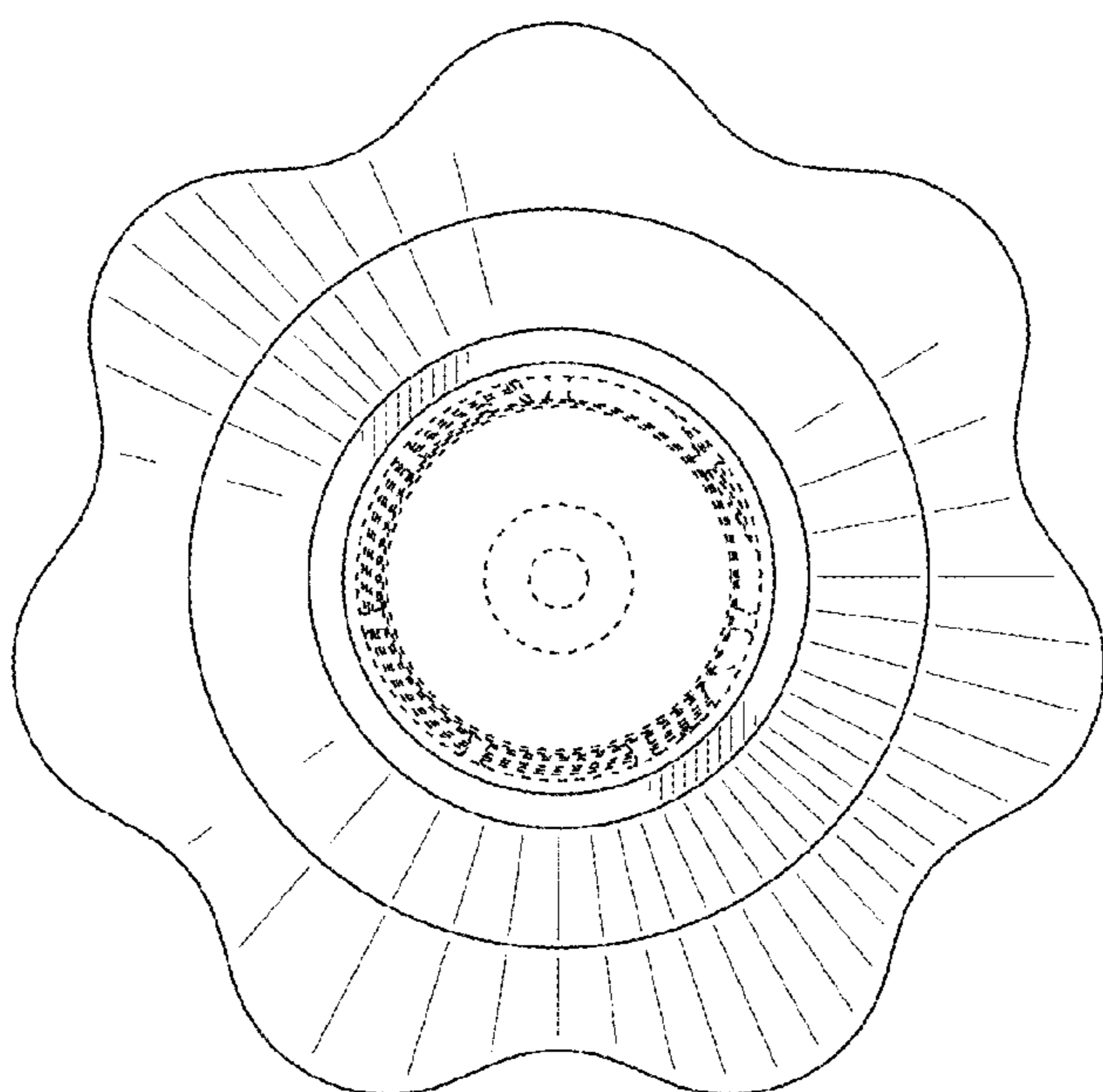


FIG. 4

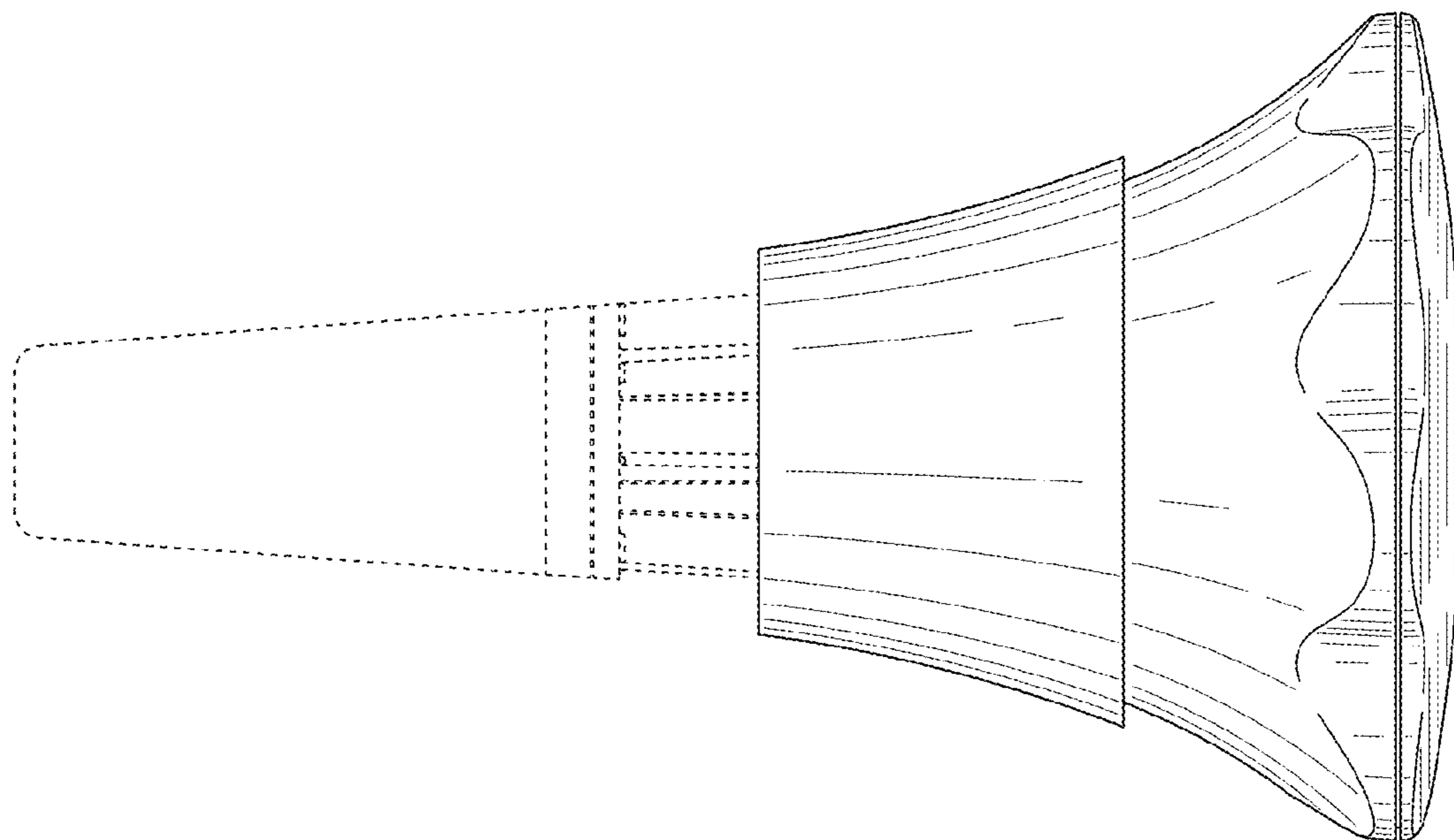


FIG. 5

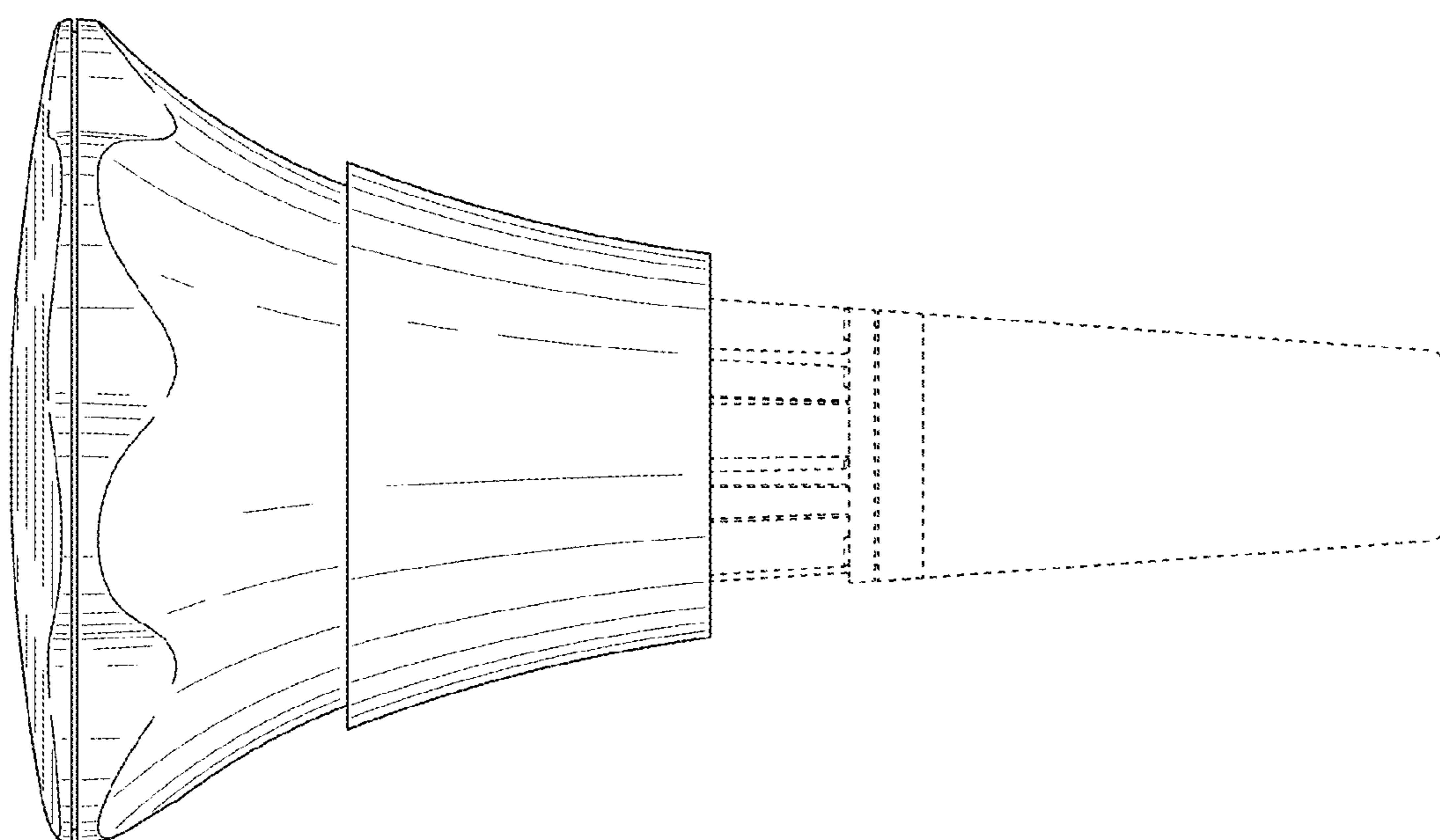


FIG. 6

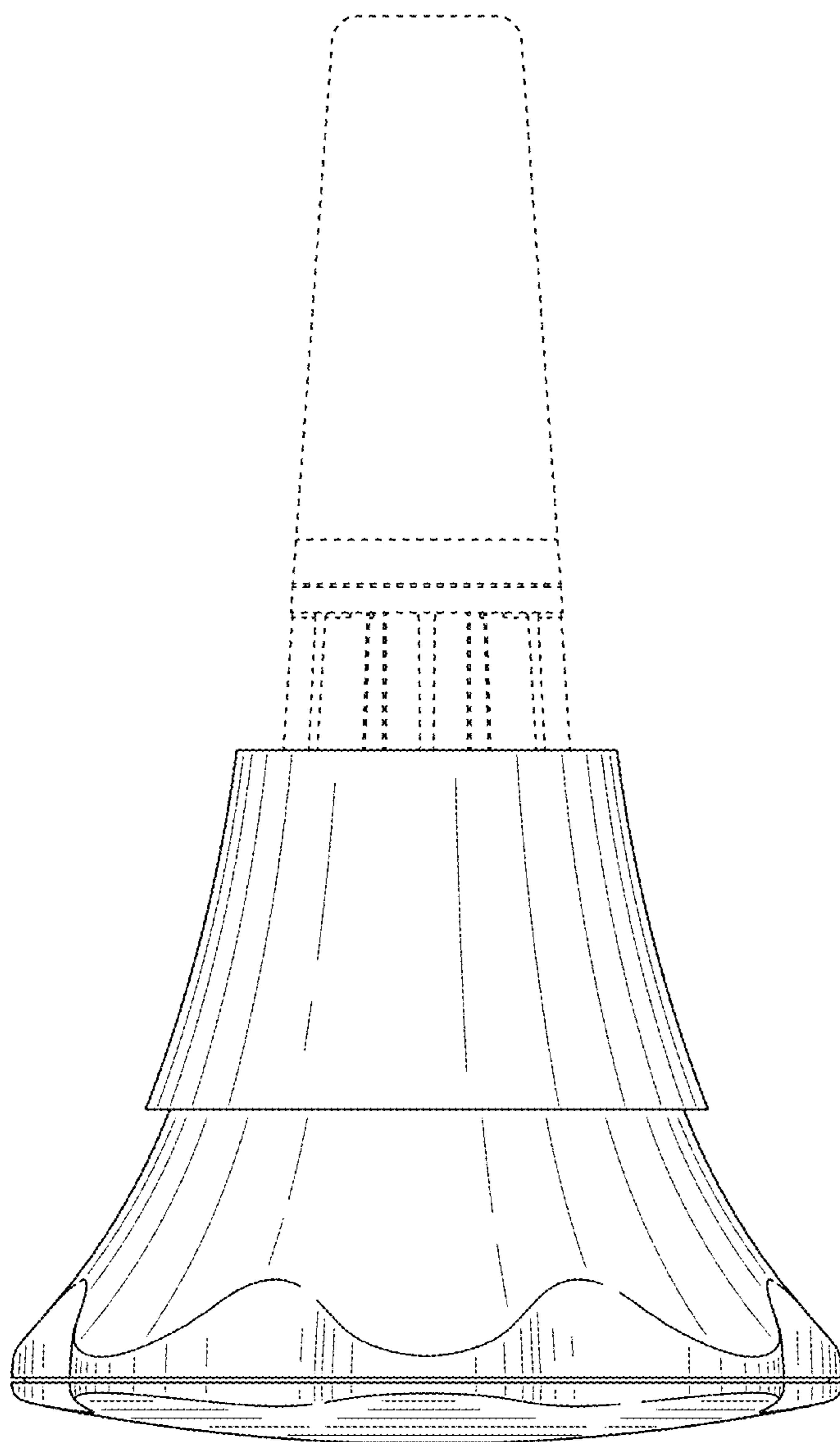


FIG. 7

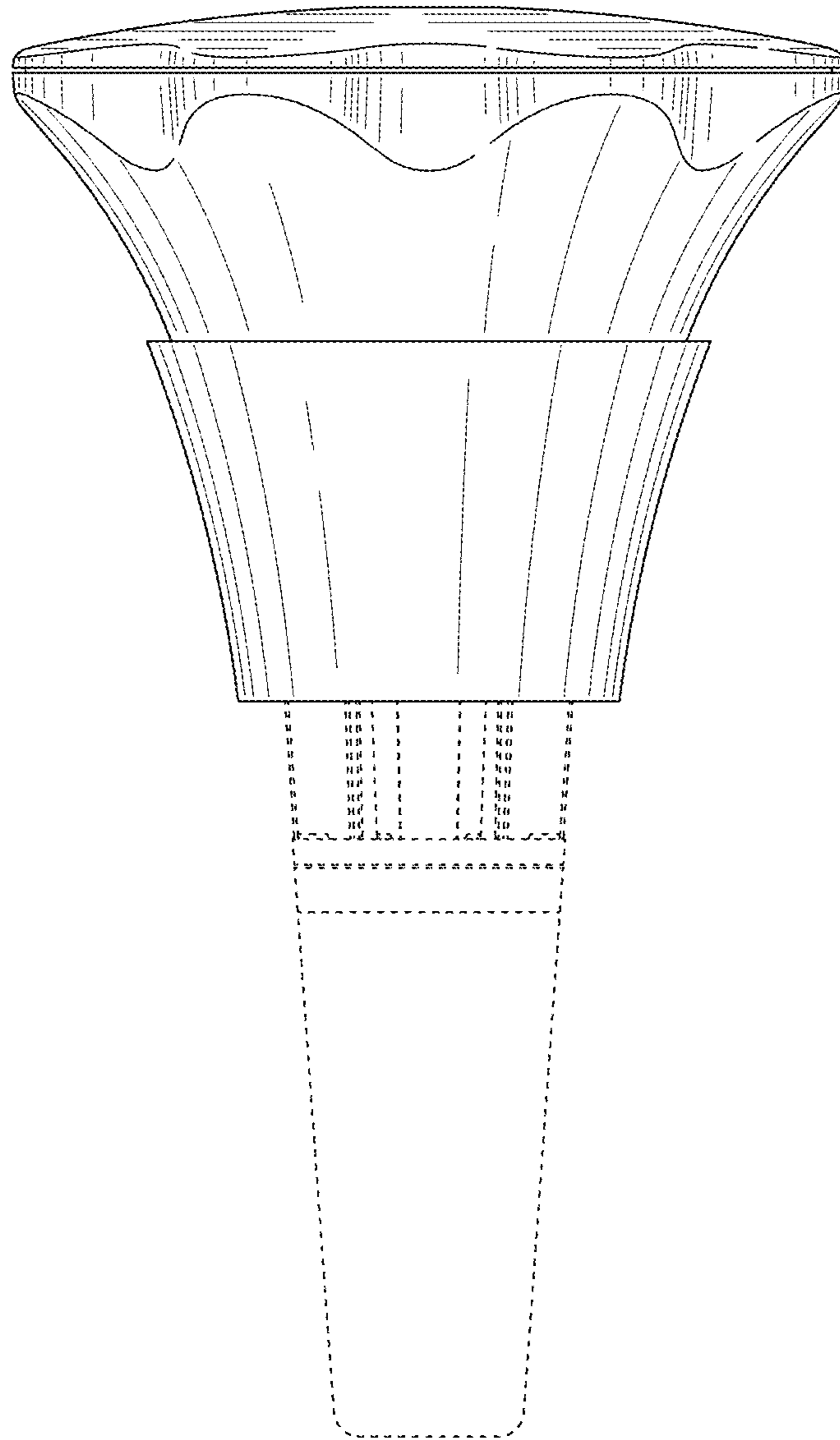


FIG. 8

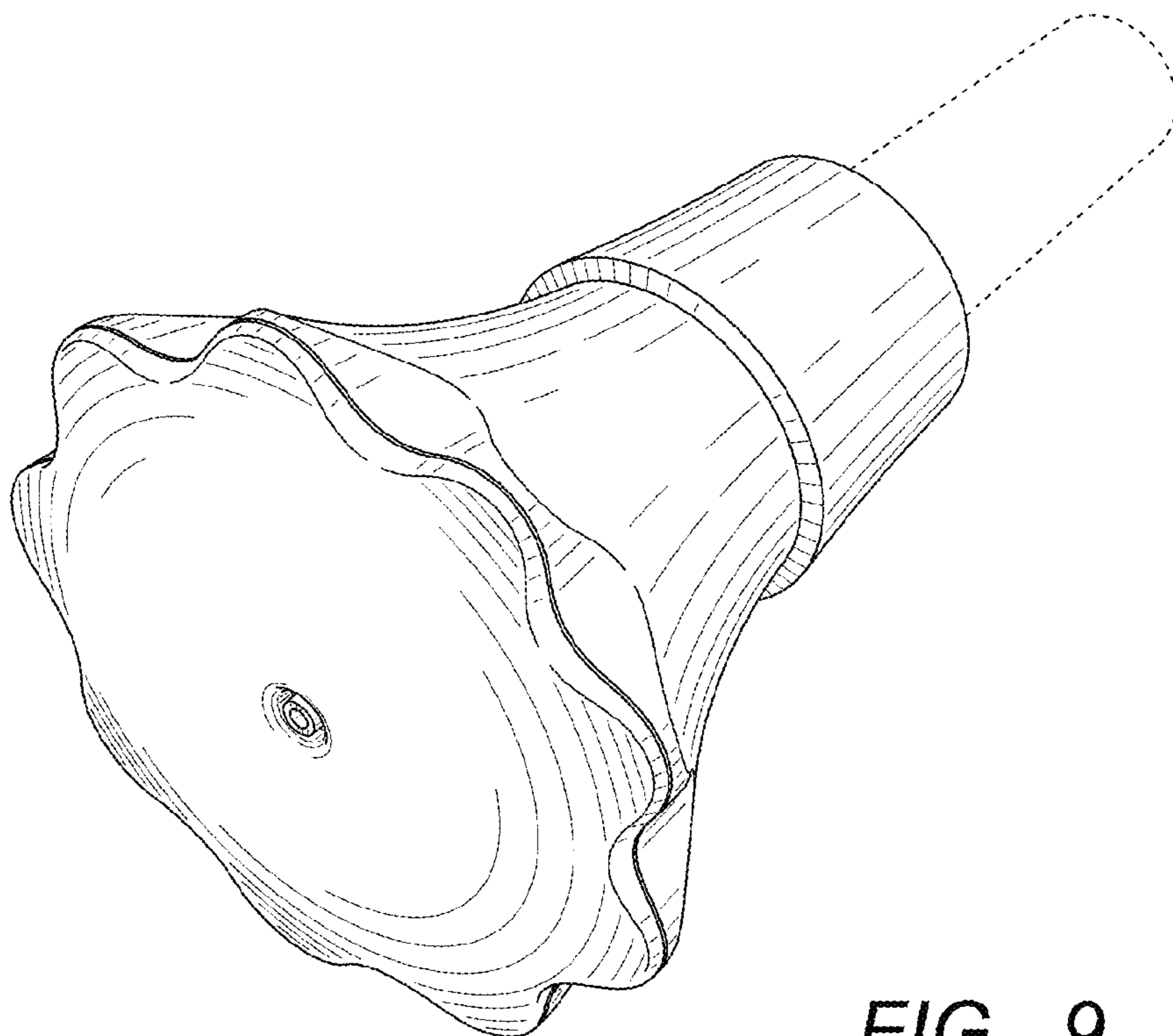


FIG. 9

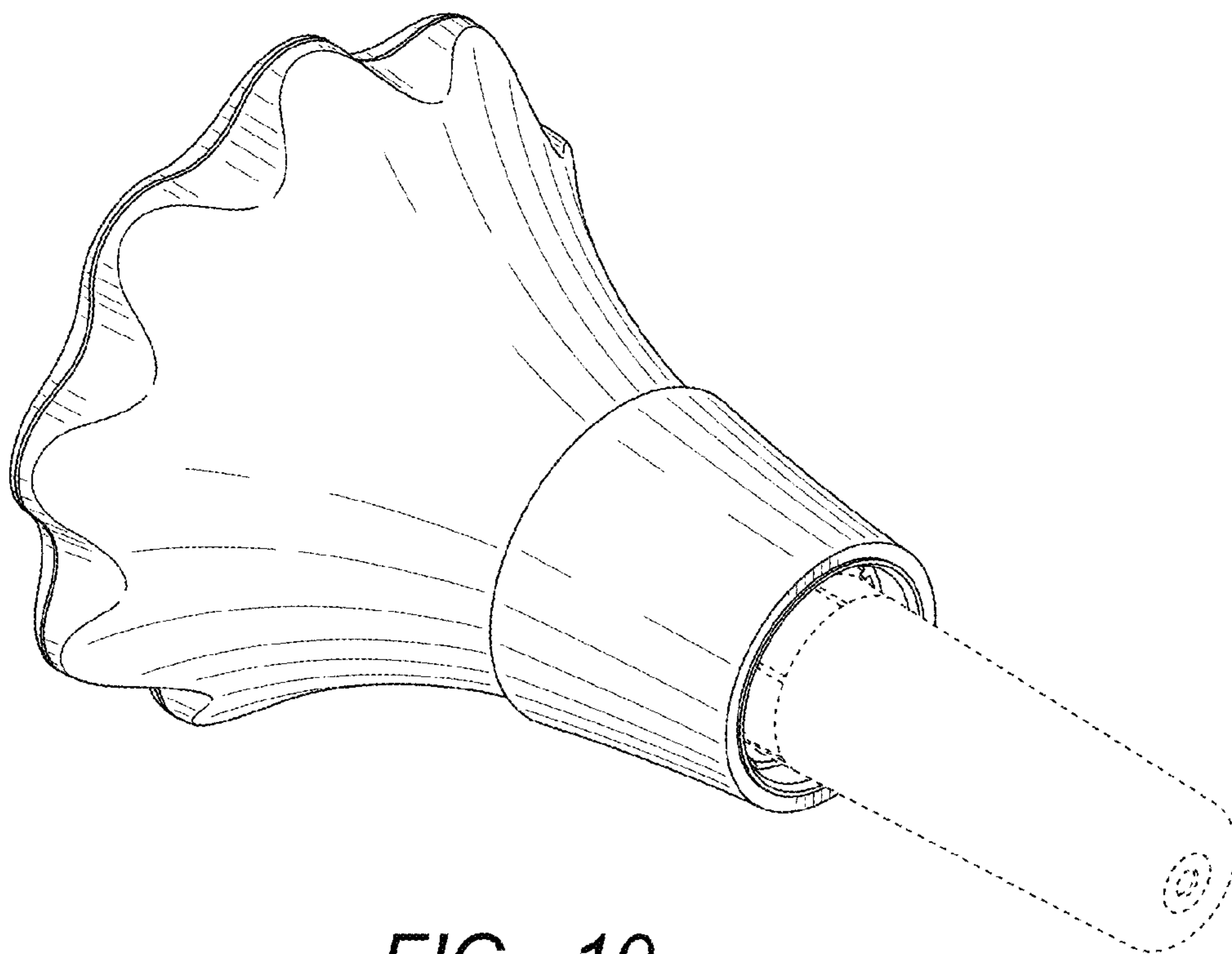


FIG. 10

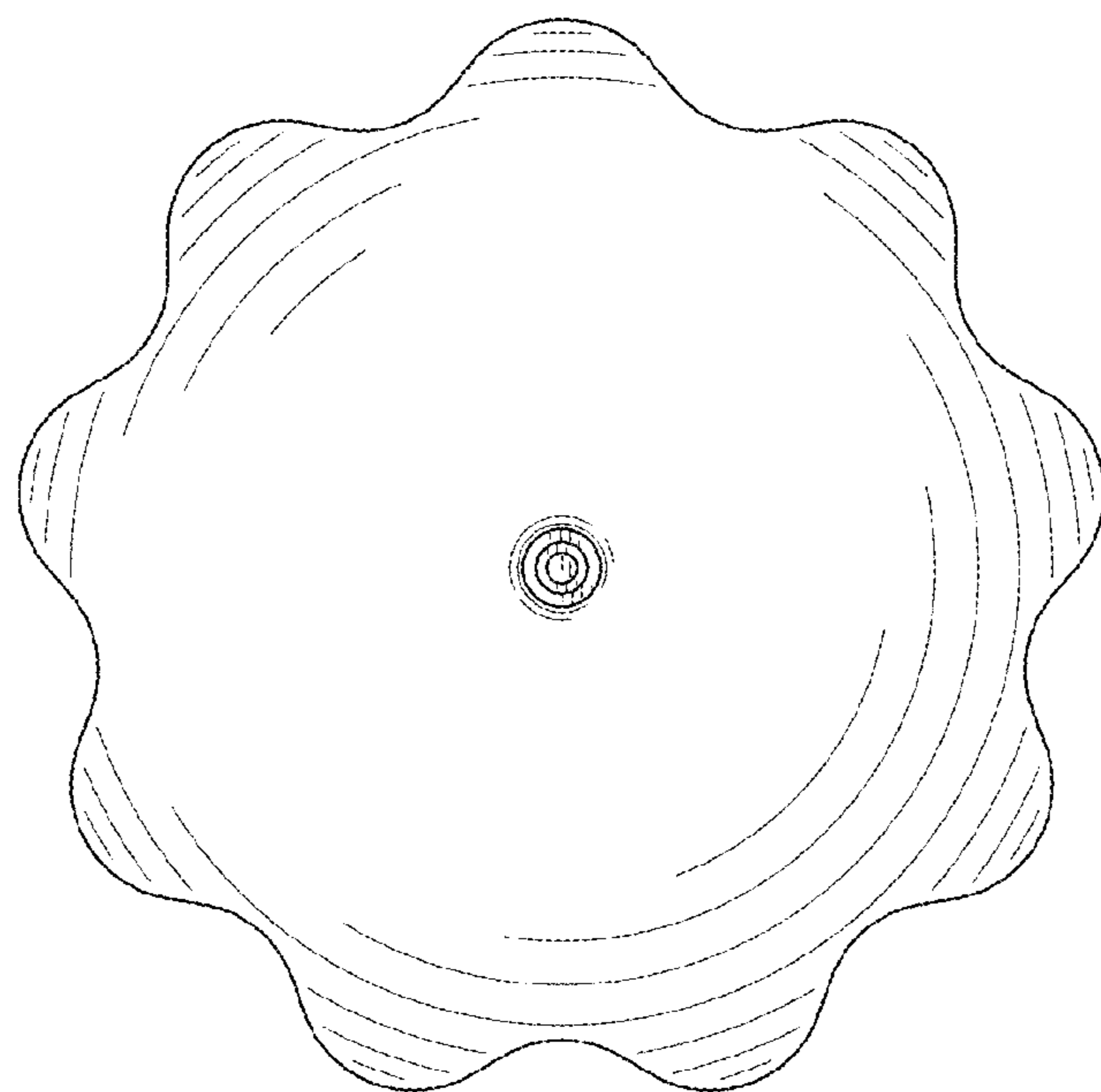


FIG. 11

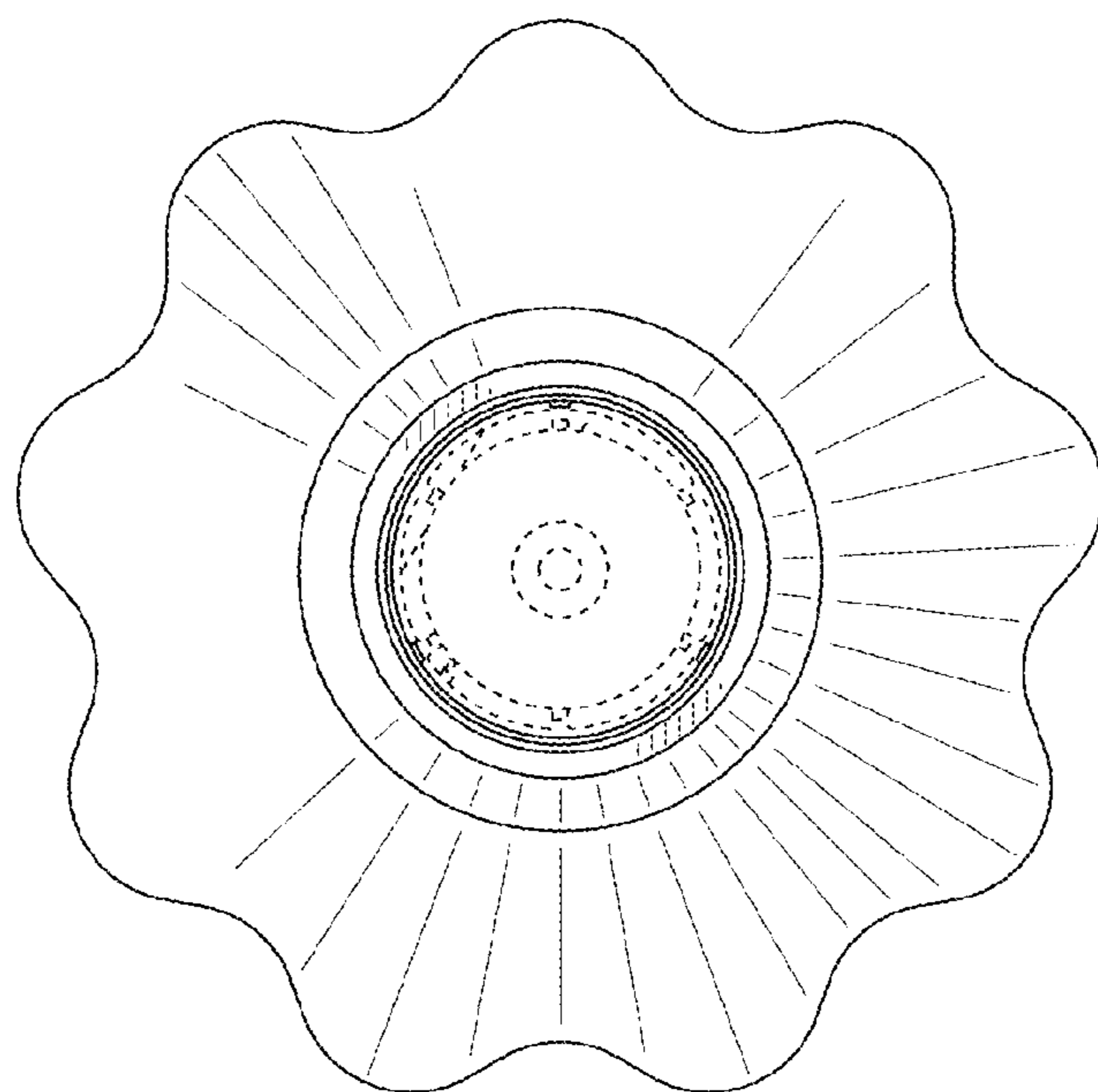


FIG. 12

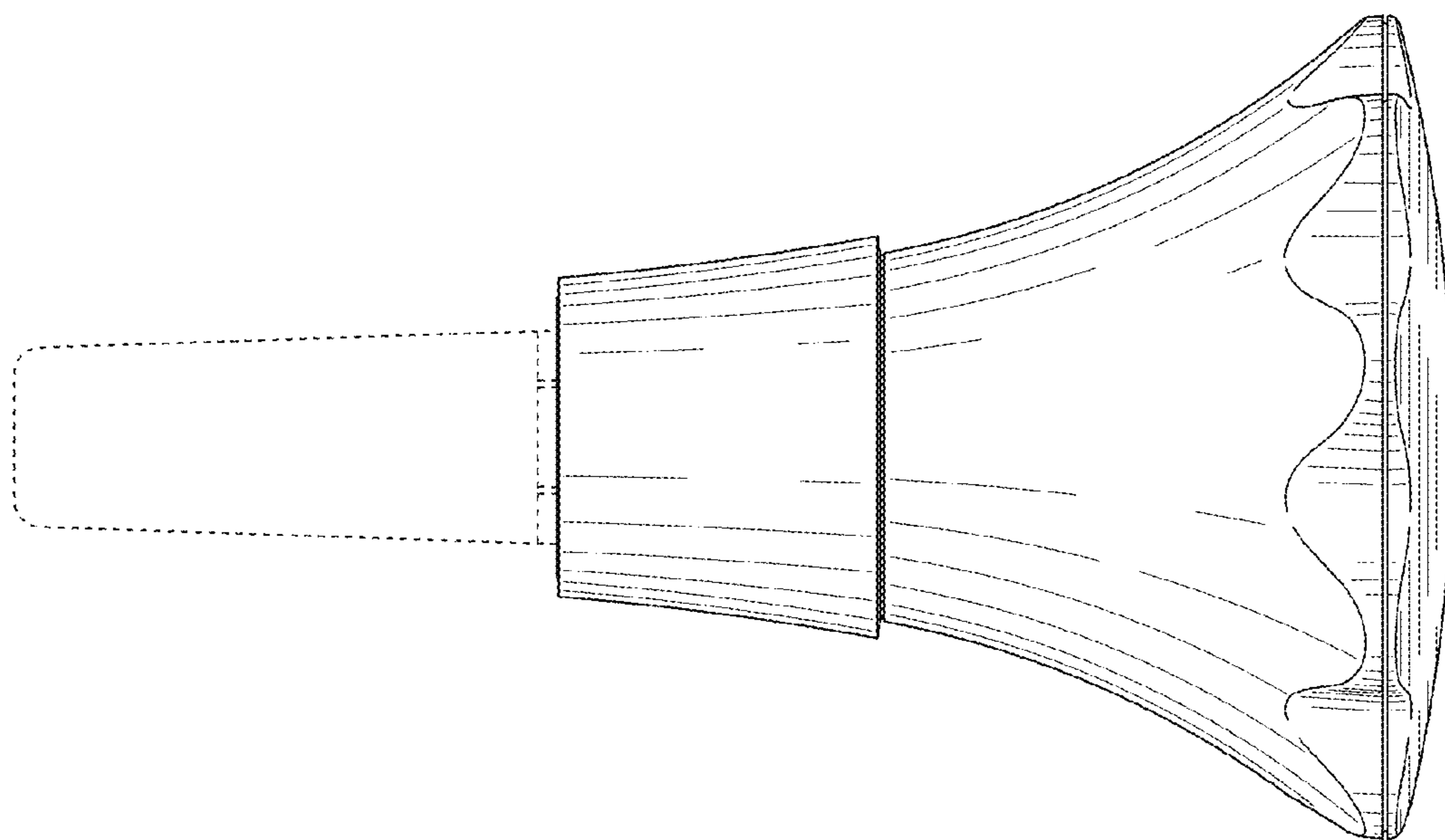


FIG. 13

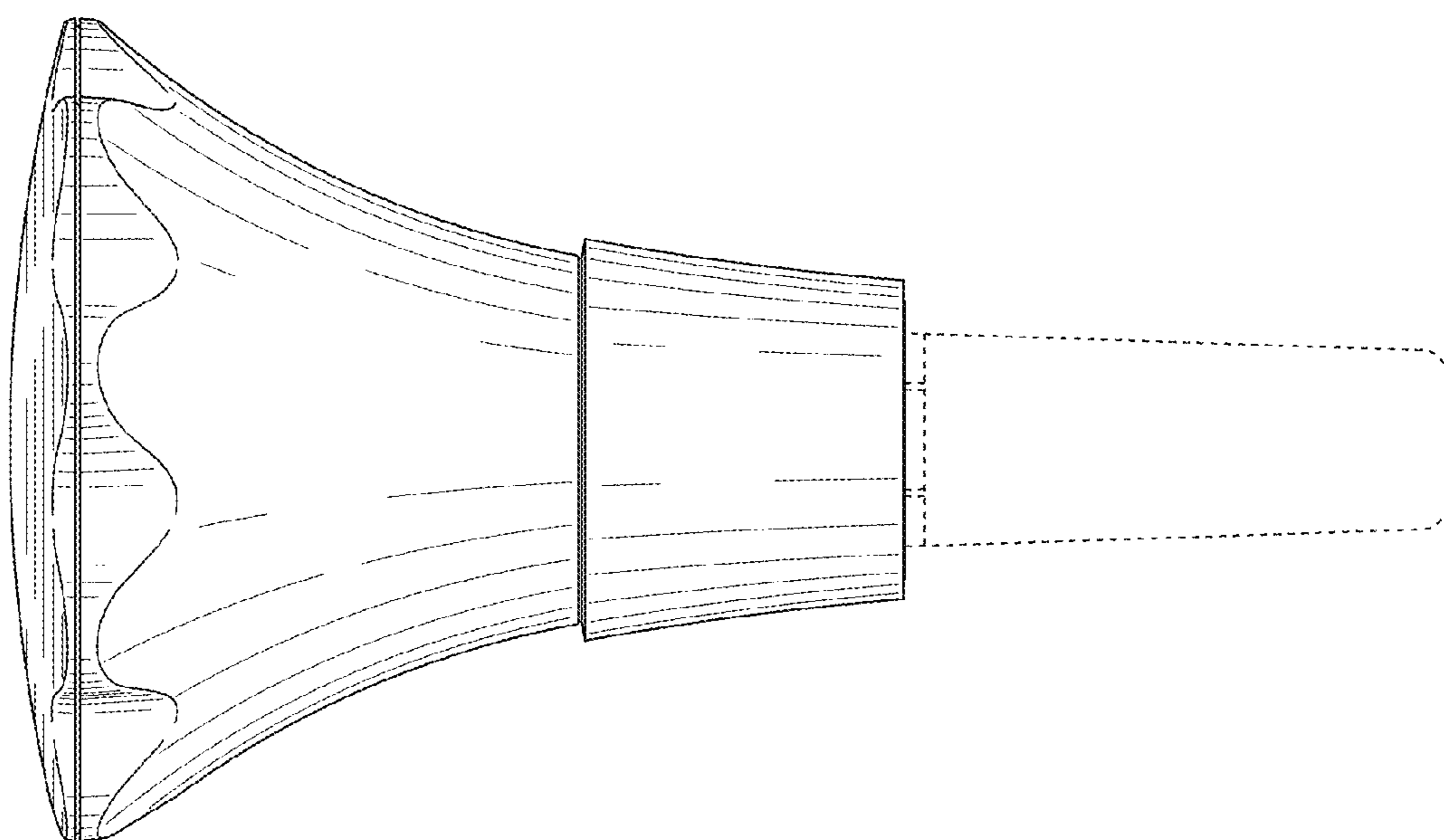


FIG. 14

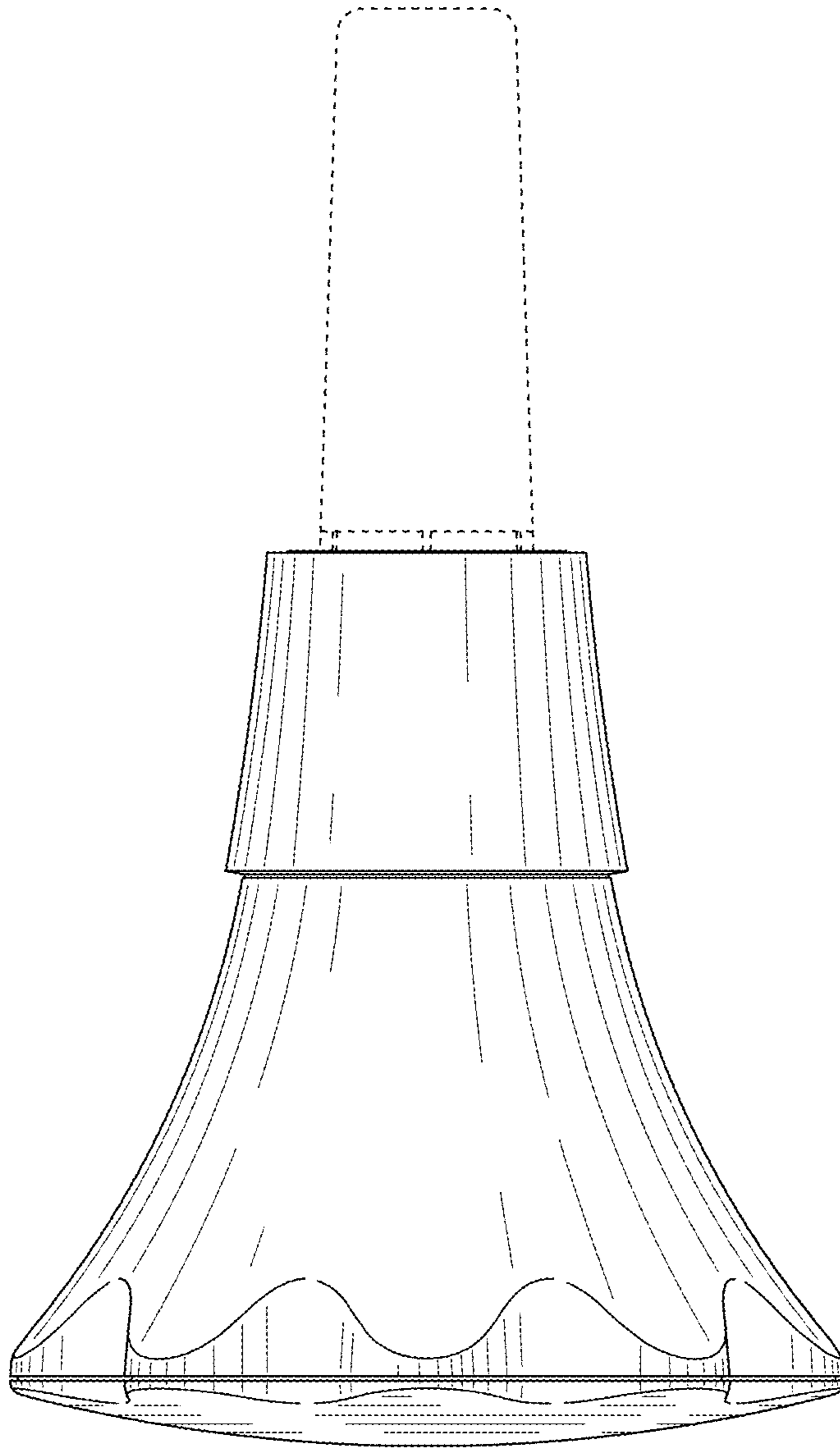


FIG. 15

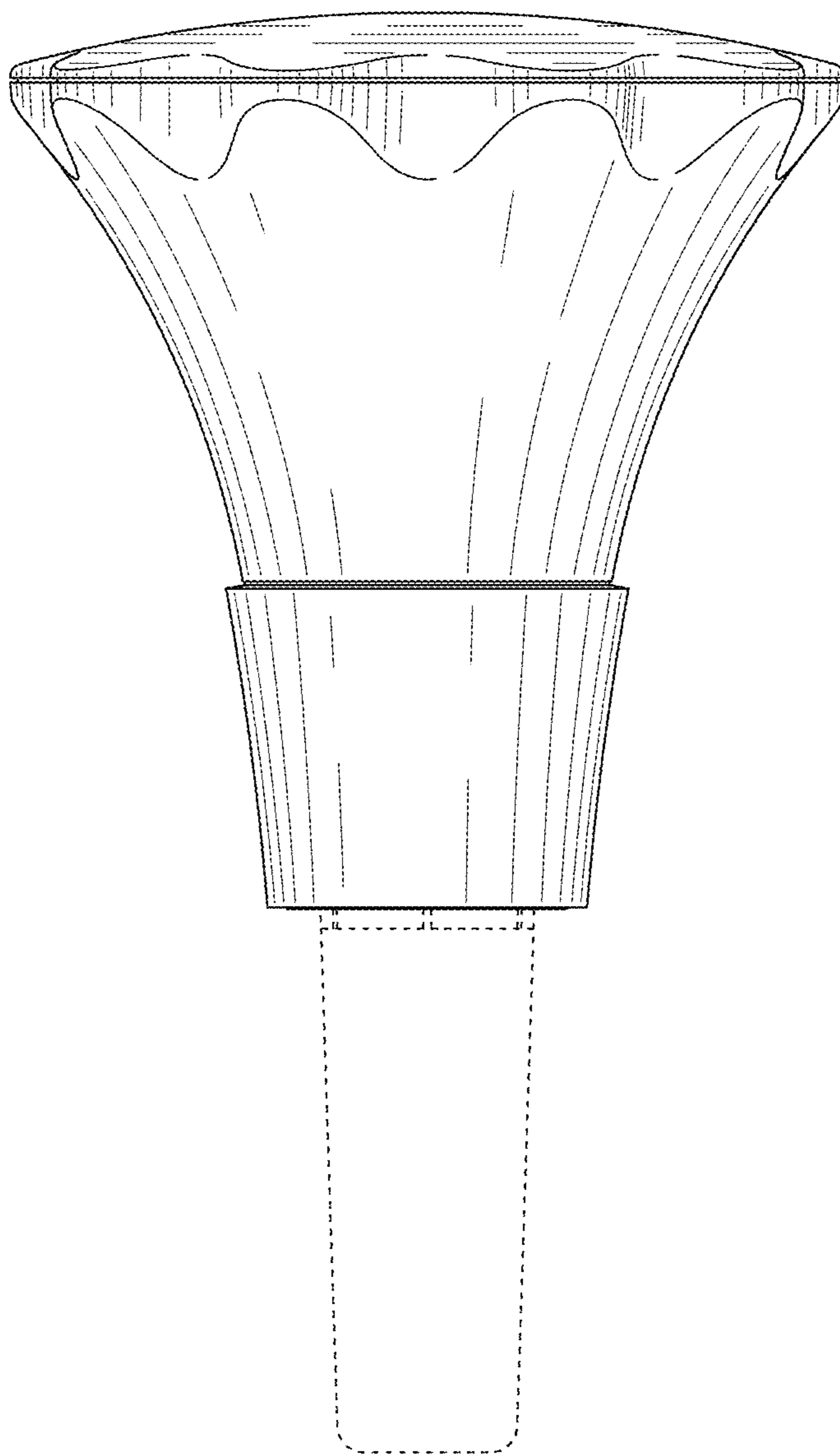


FIG. 16

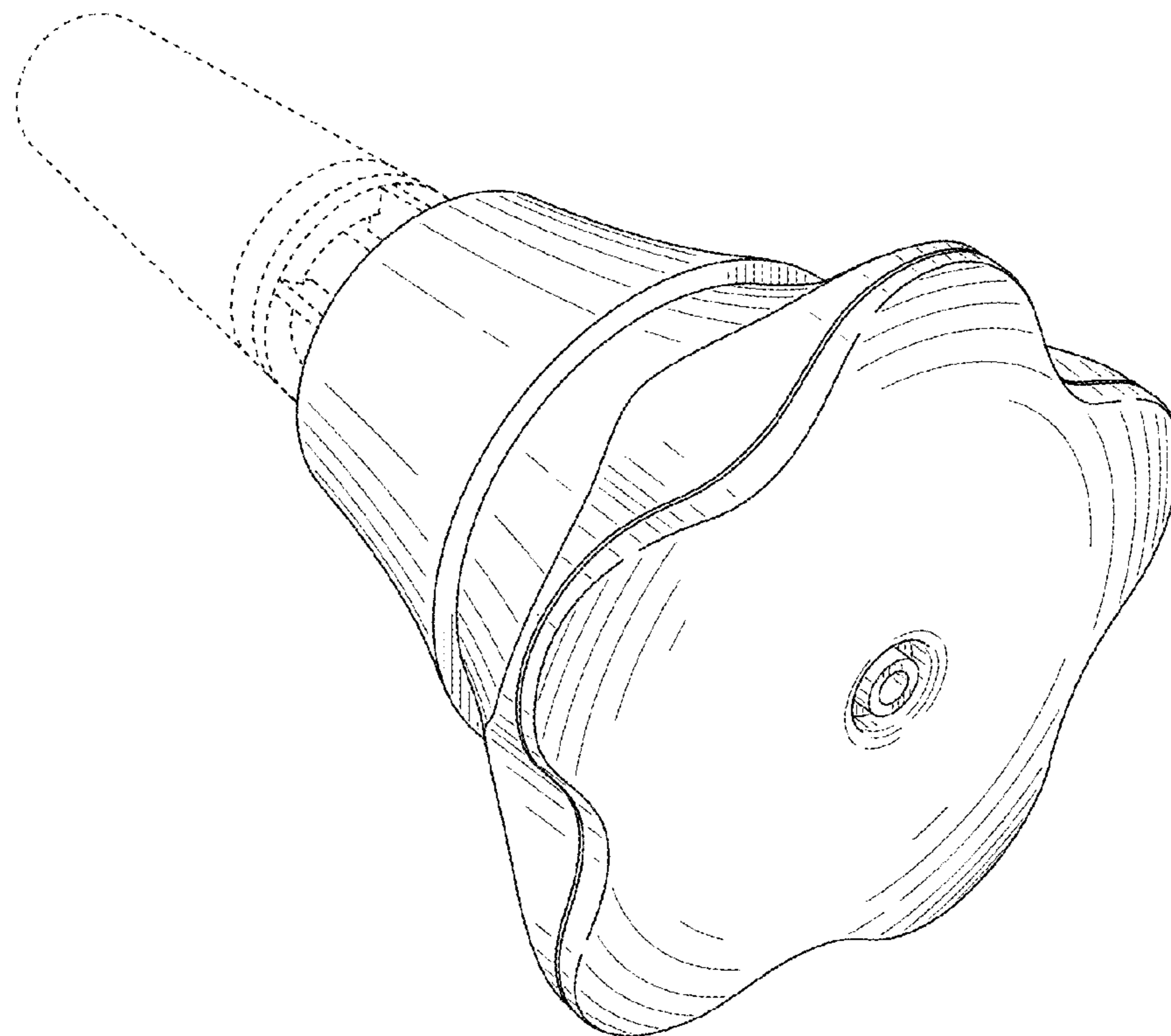


FIG. 17

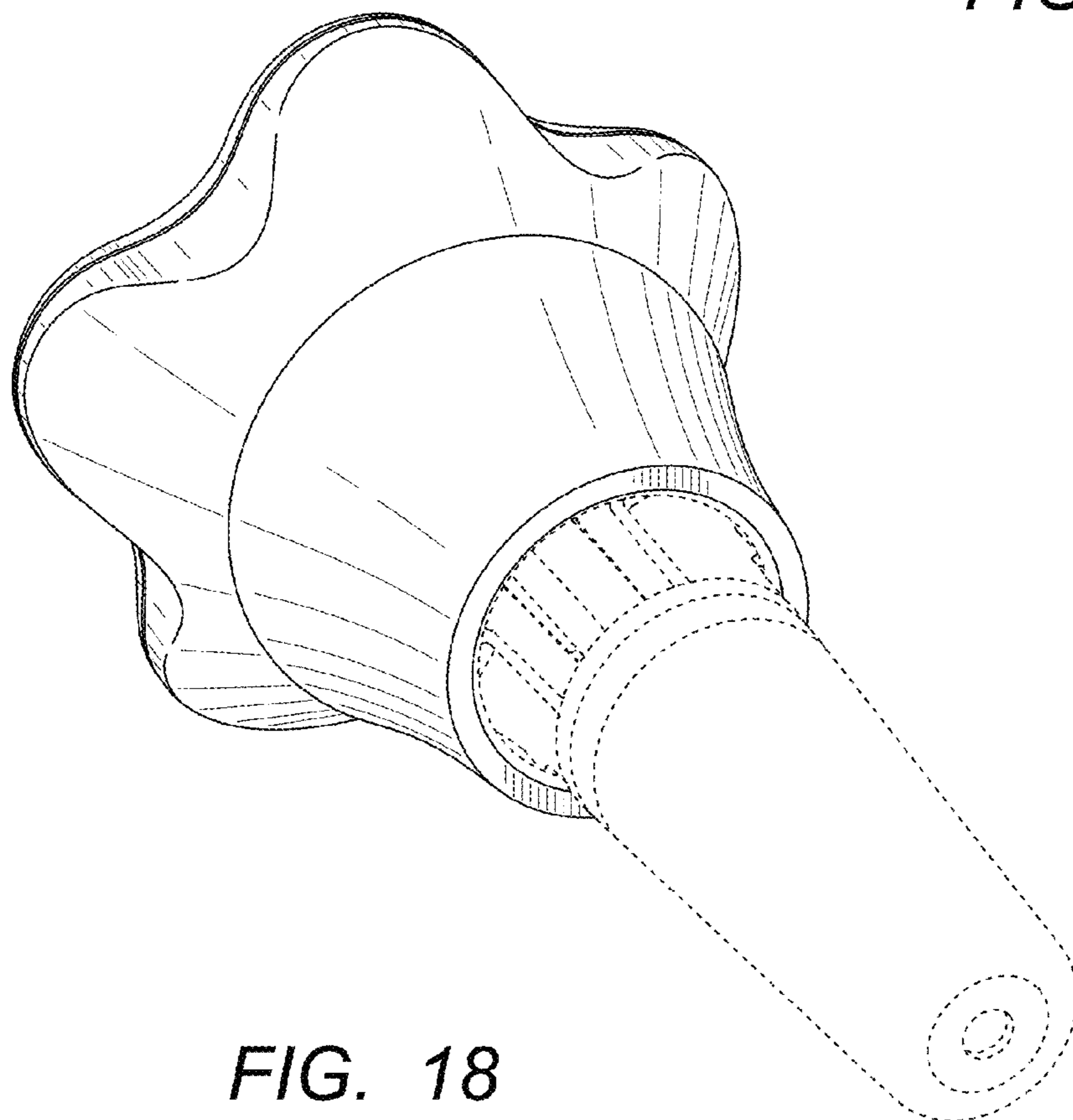


FIG. 18

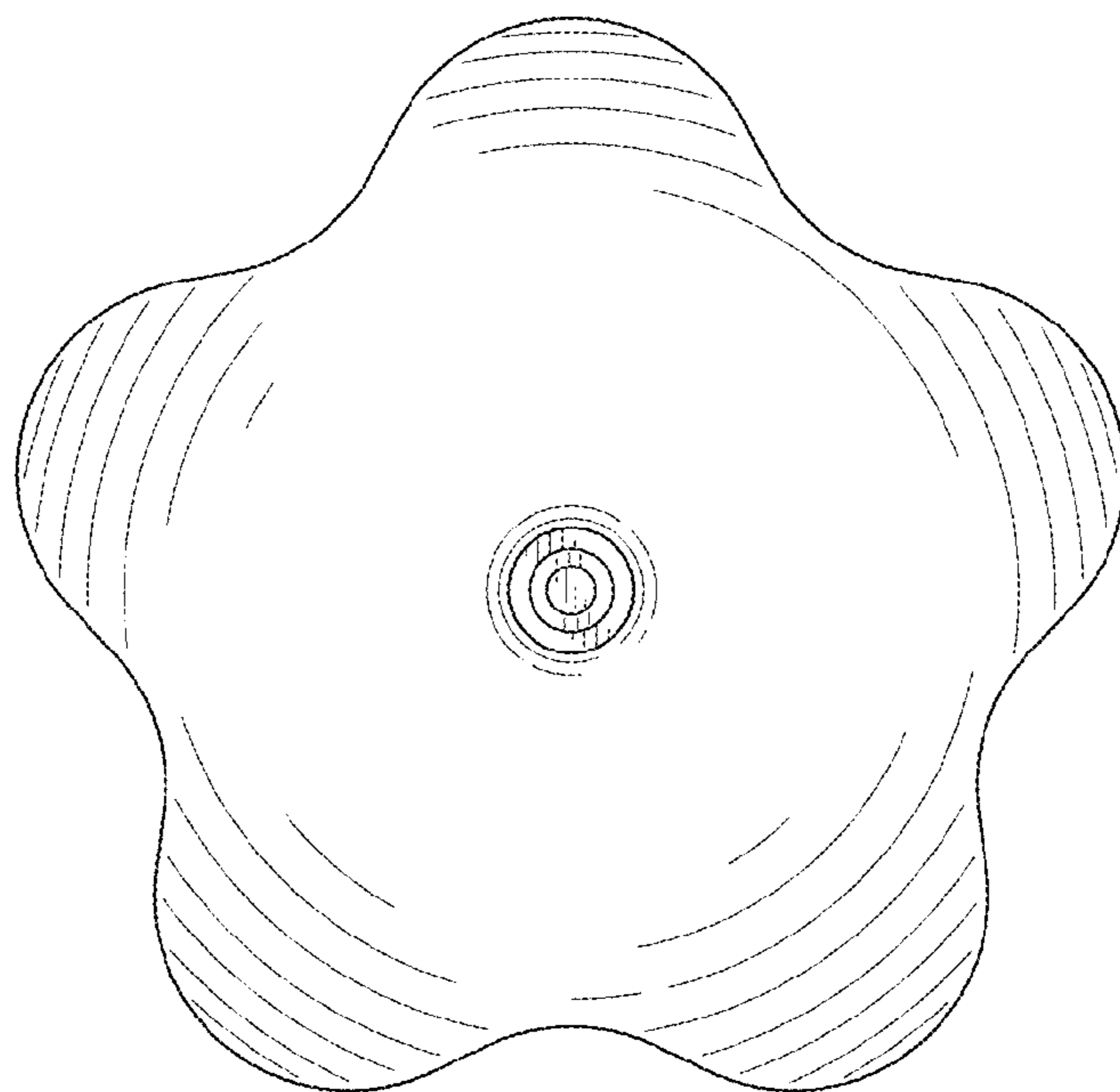


FIG. 19

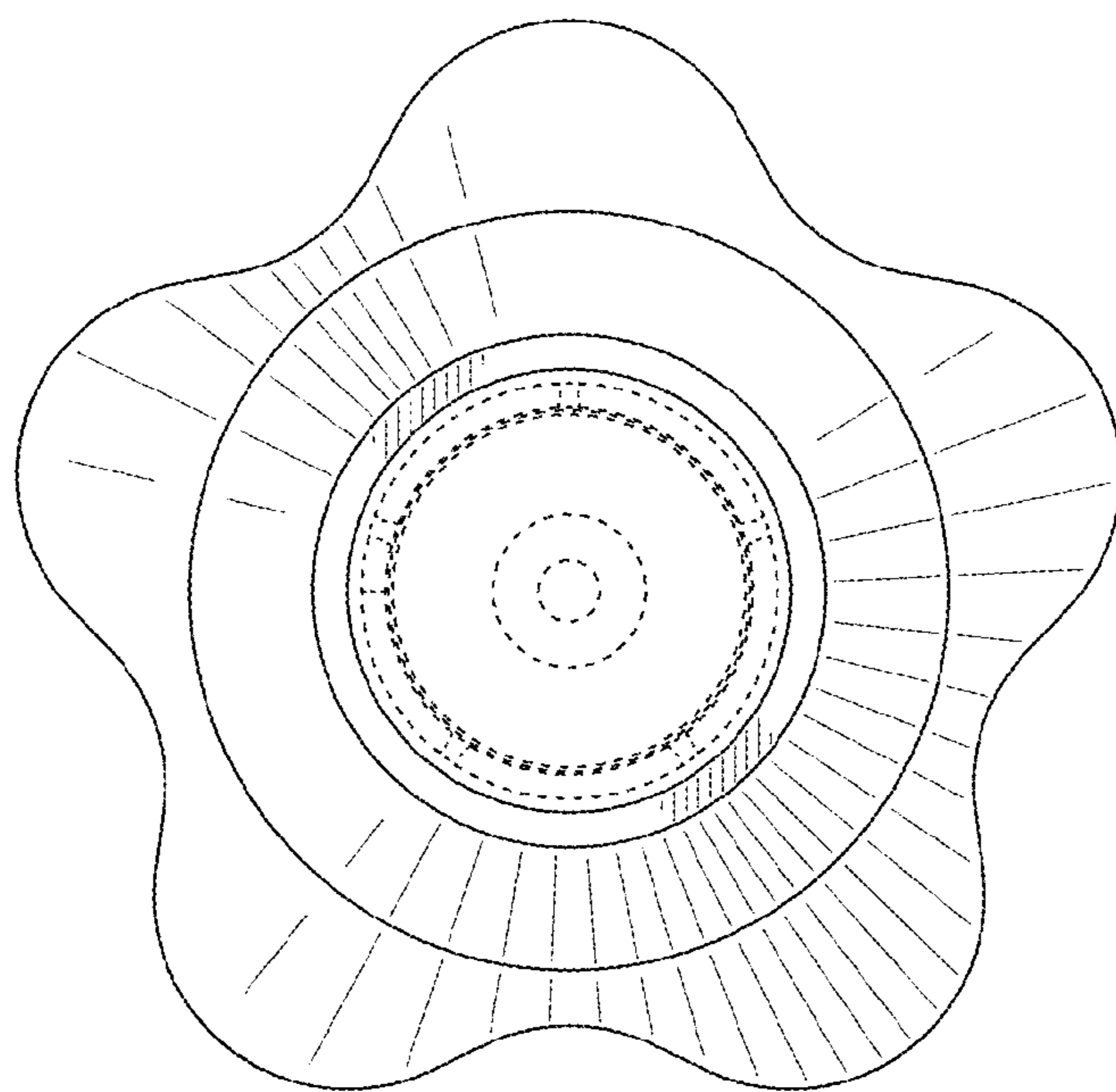


FIG. 20

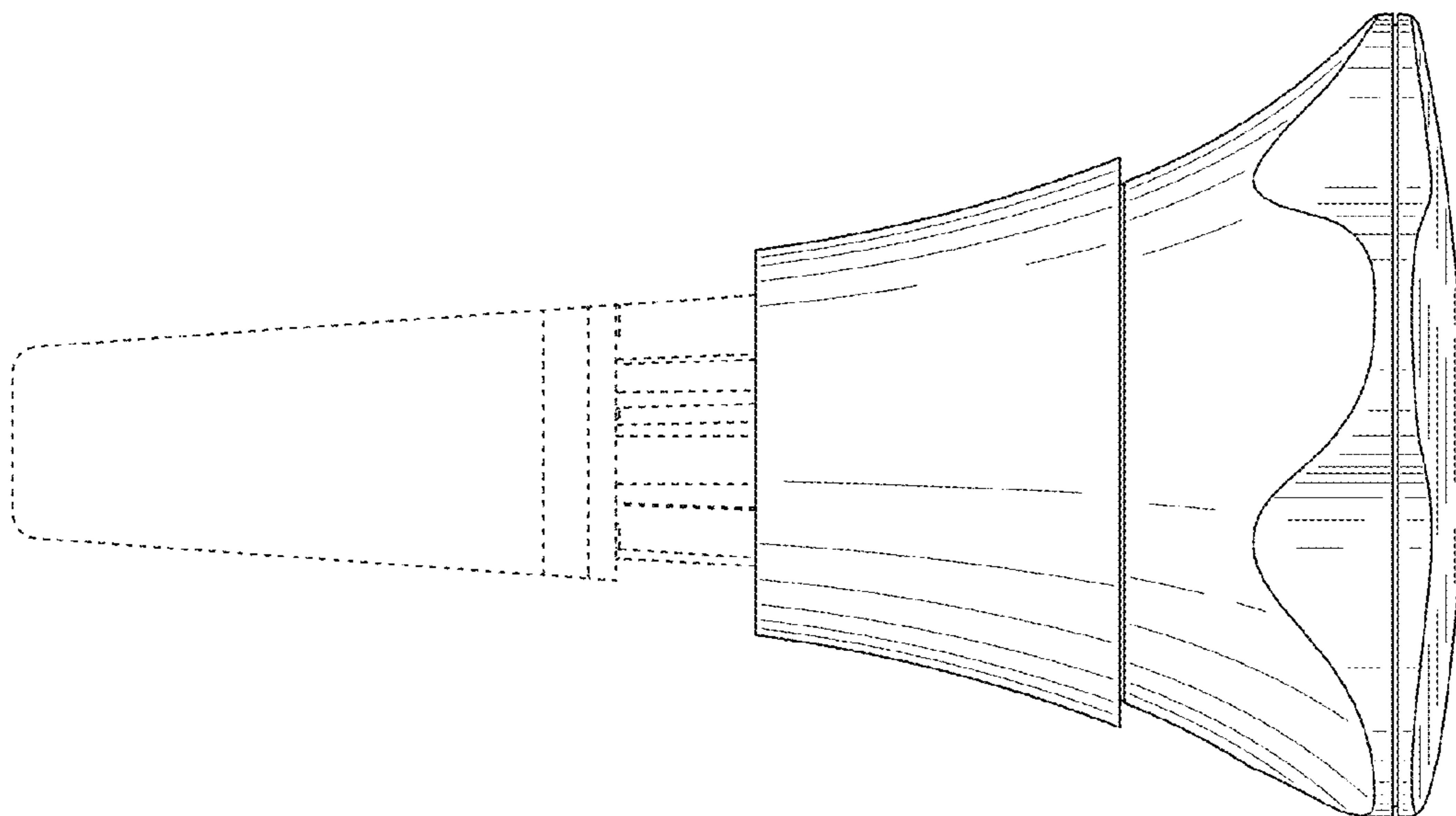


FIG. 21

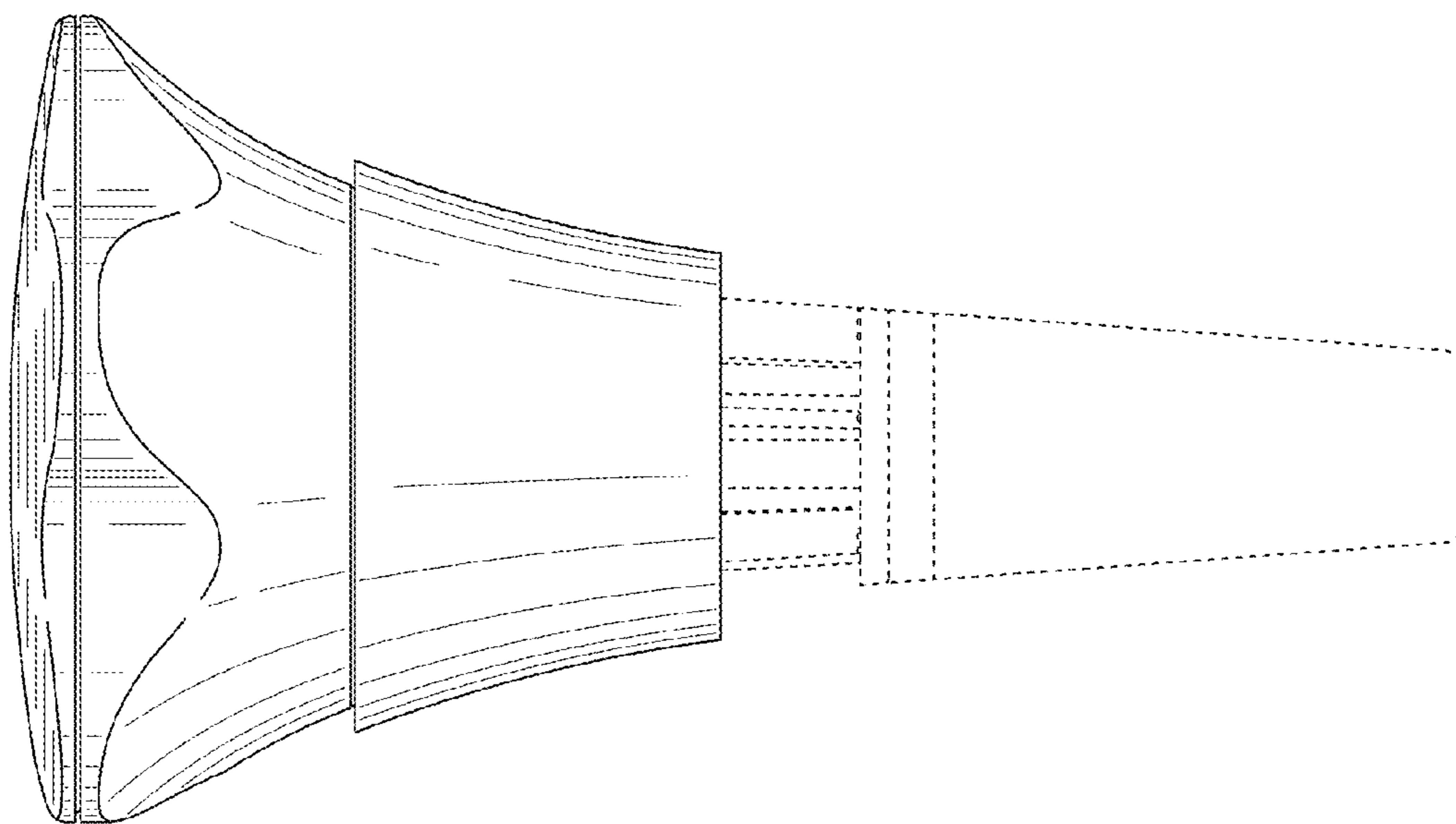


FIG. 22

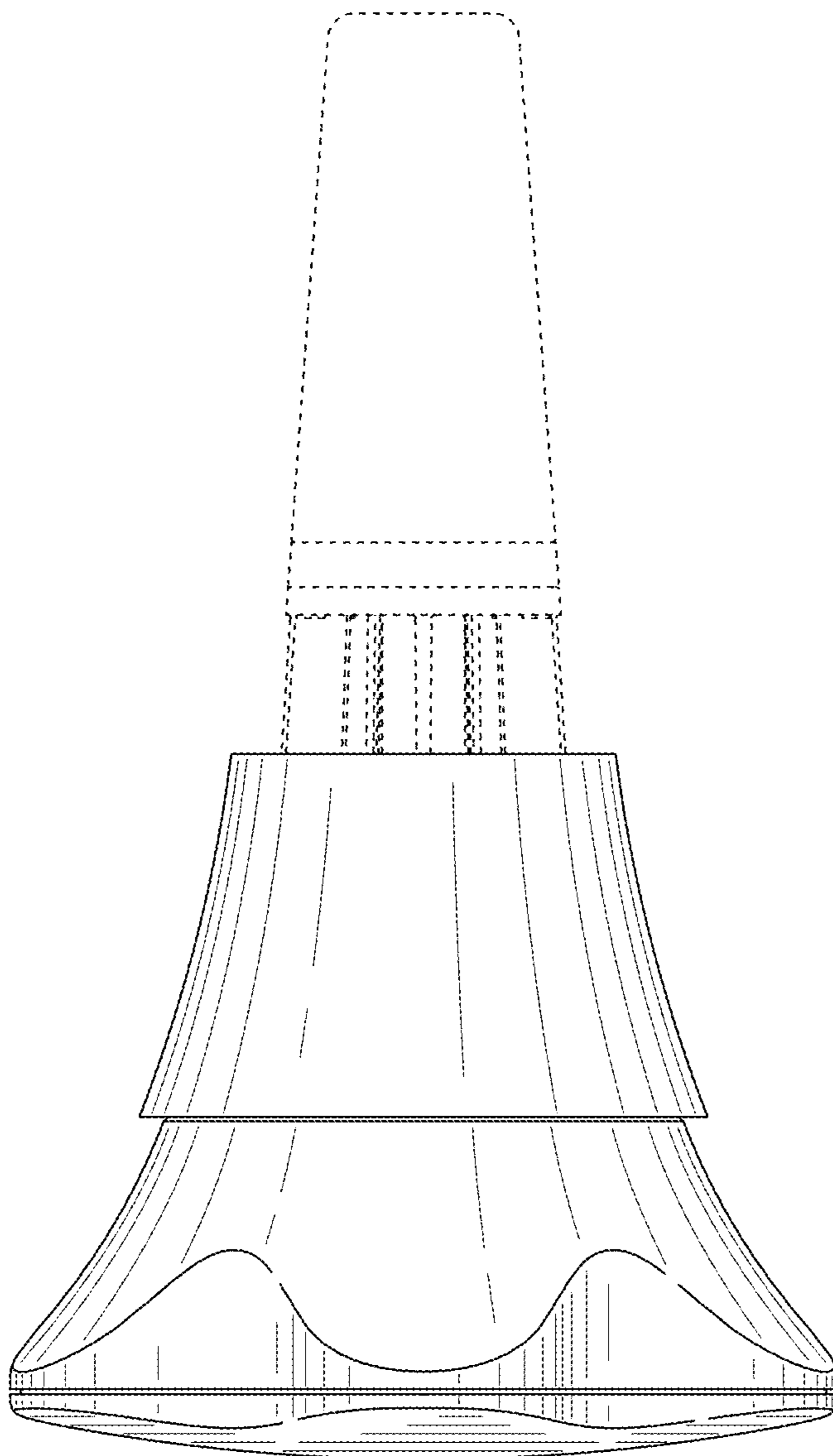


FIG. 23

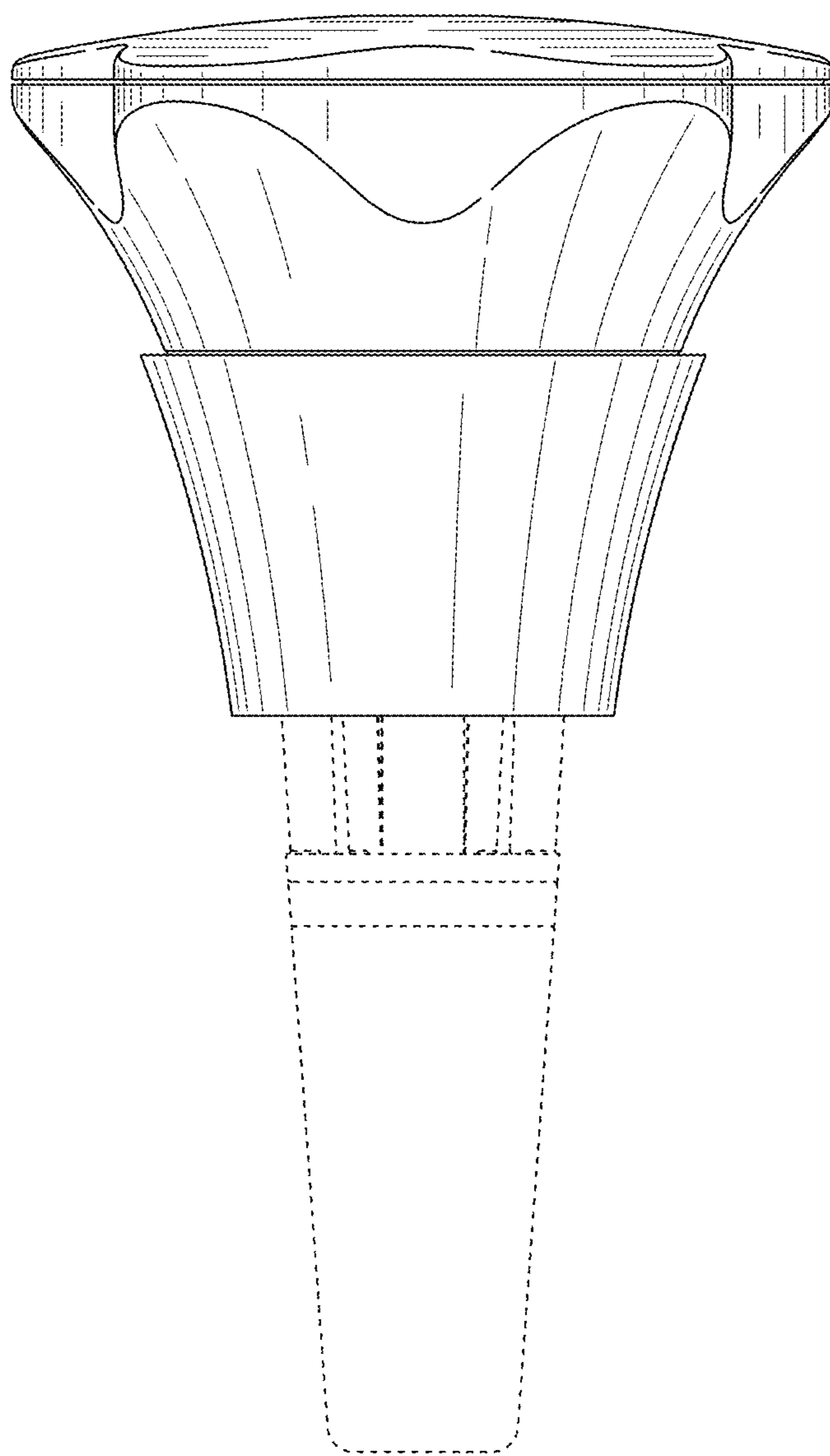


FIG. 24

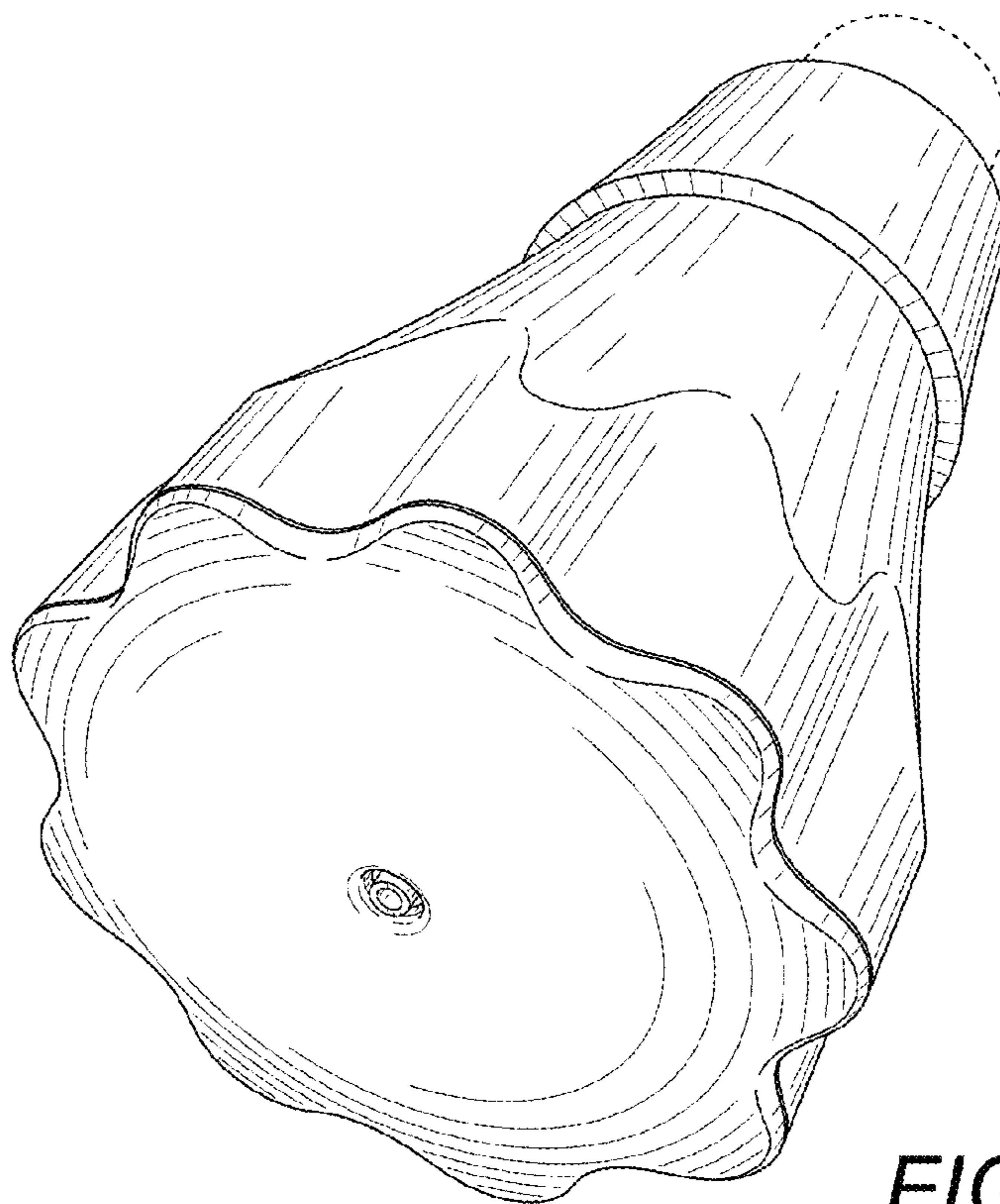


FIG. 25

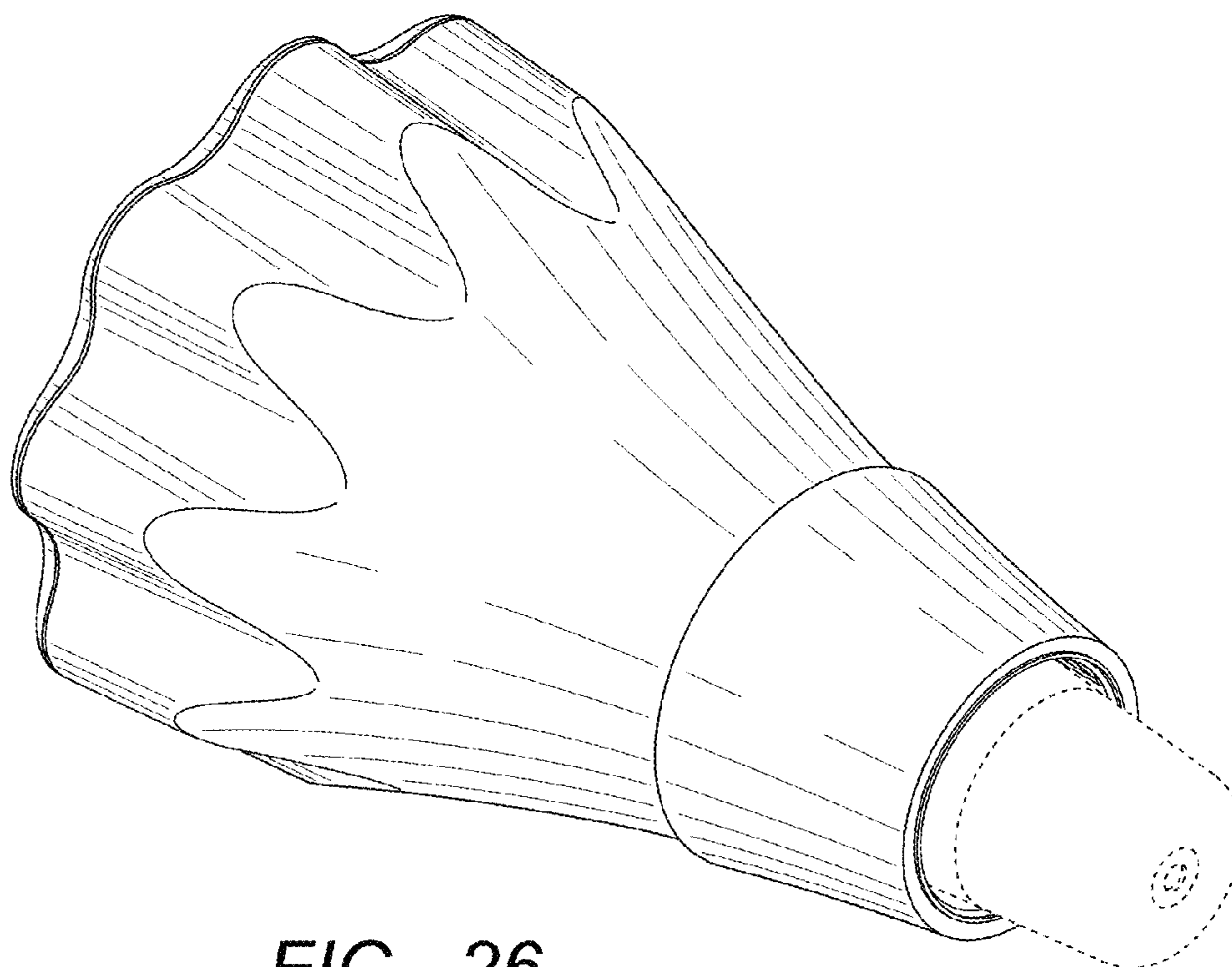


FIG. 26

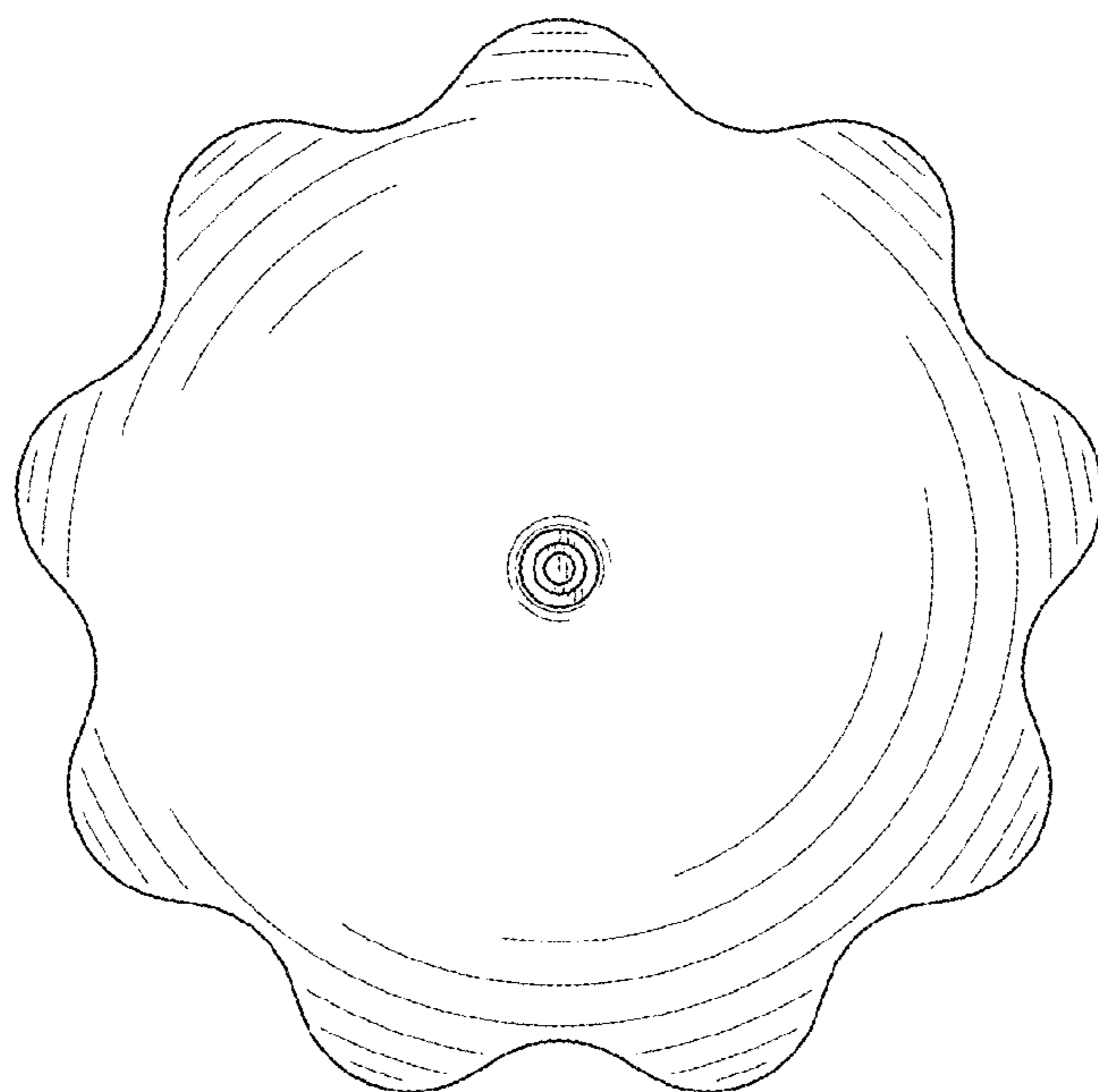


FIG. 27

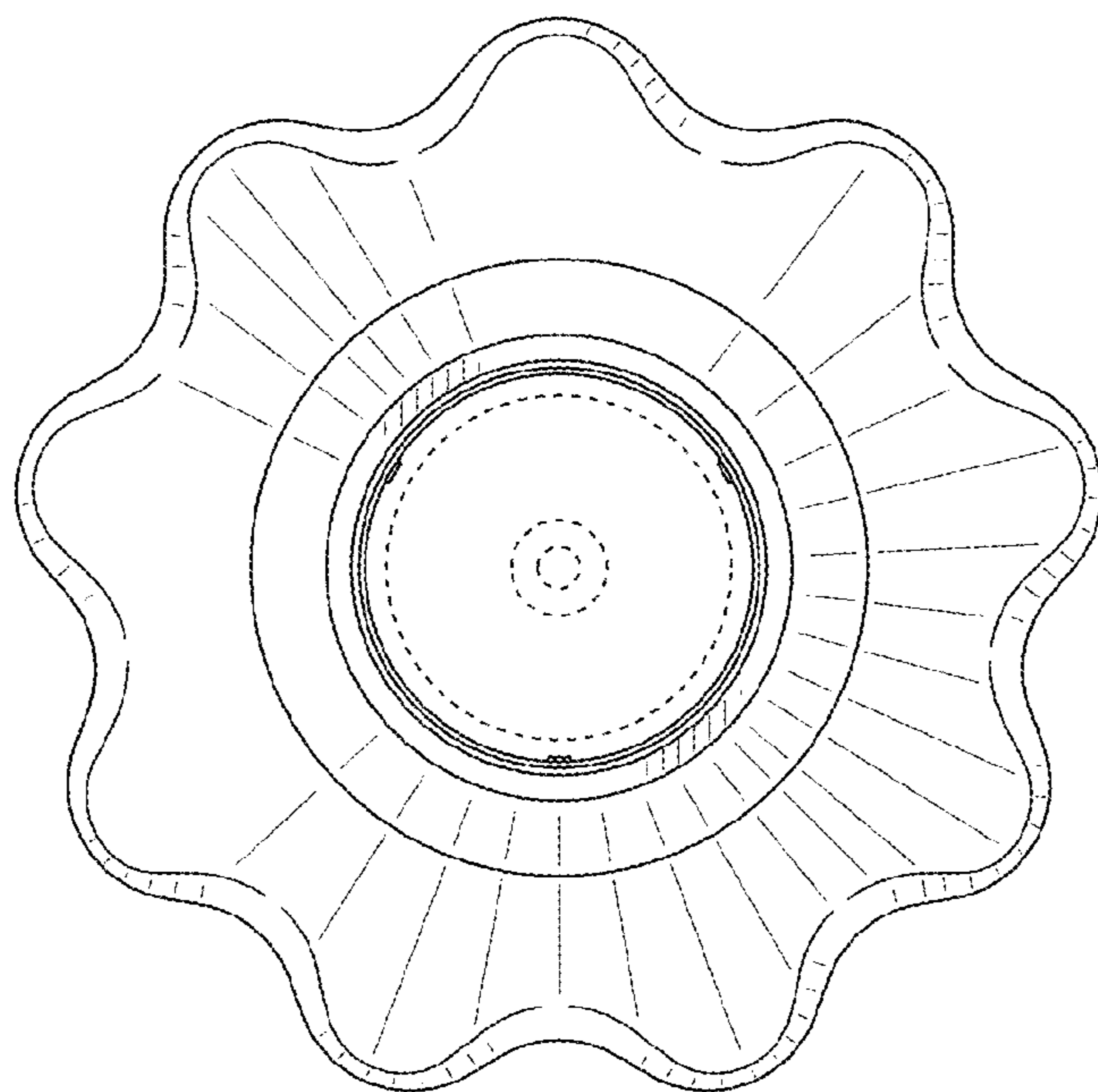


FIG. 28

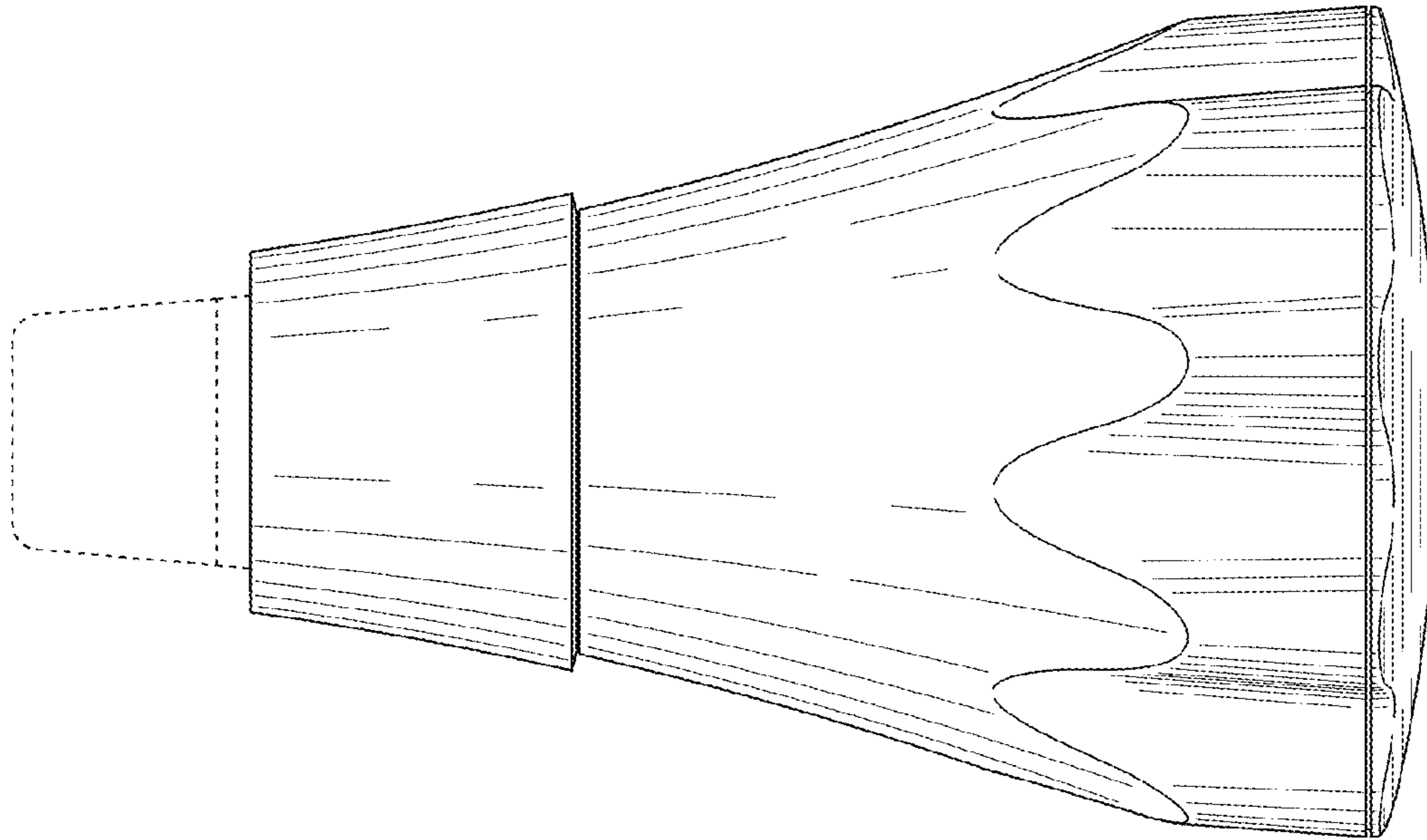


FIG. 29

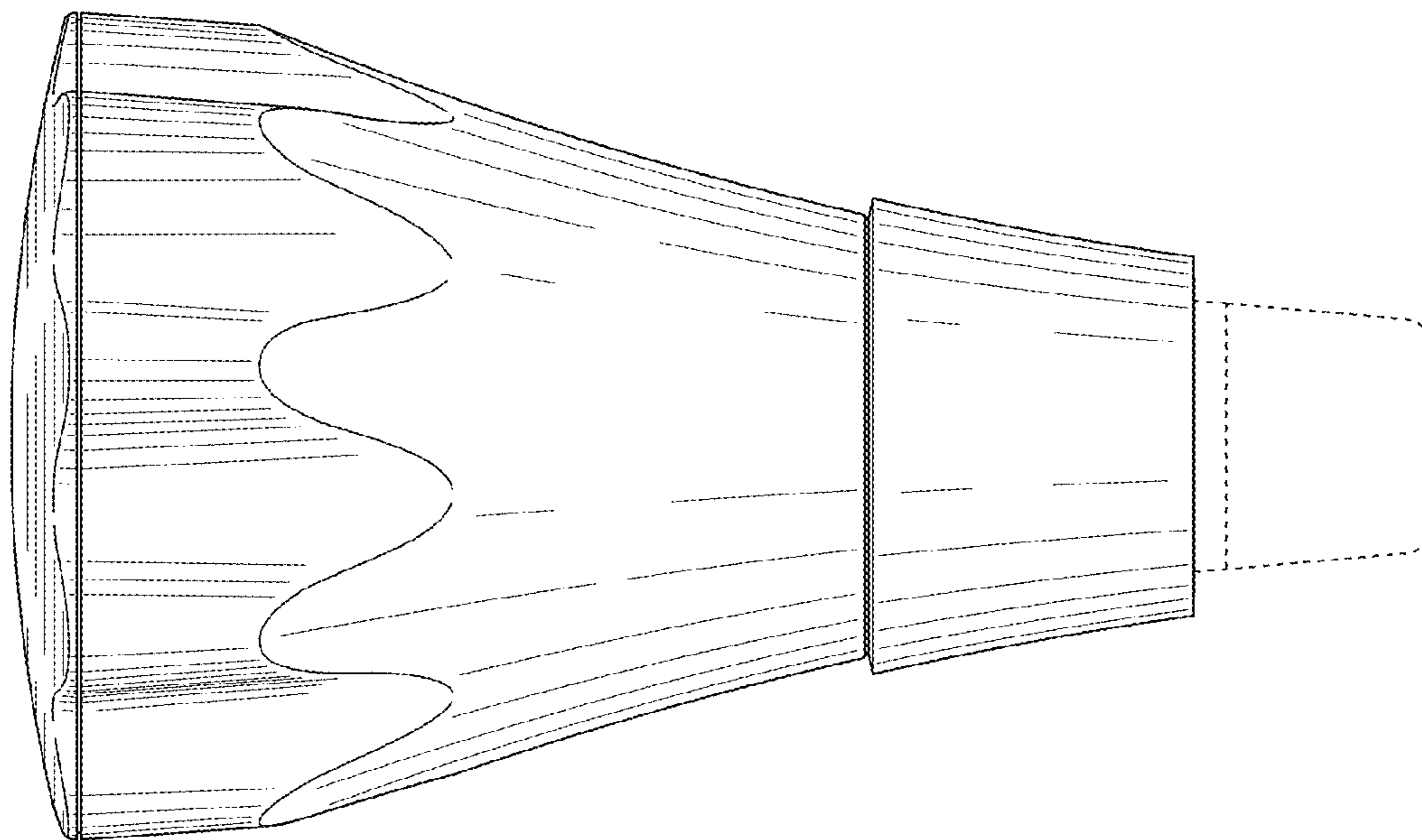


FIG. 30

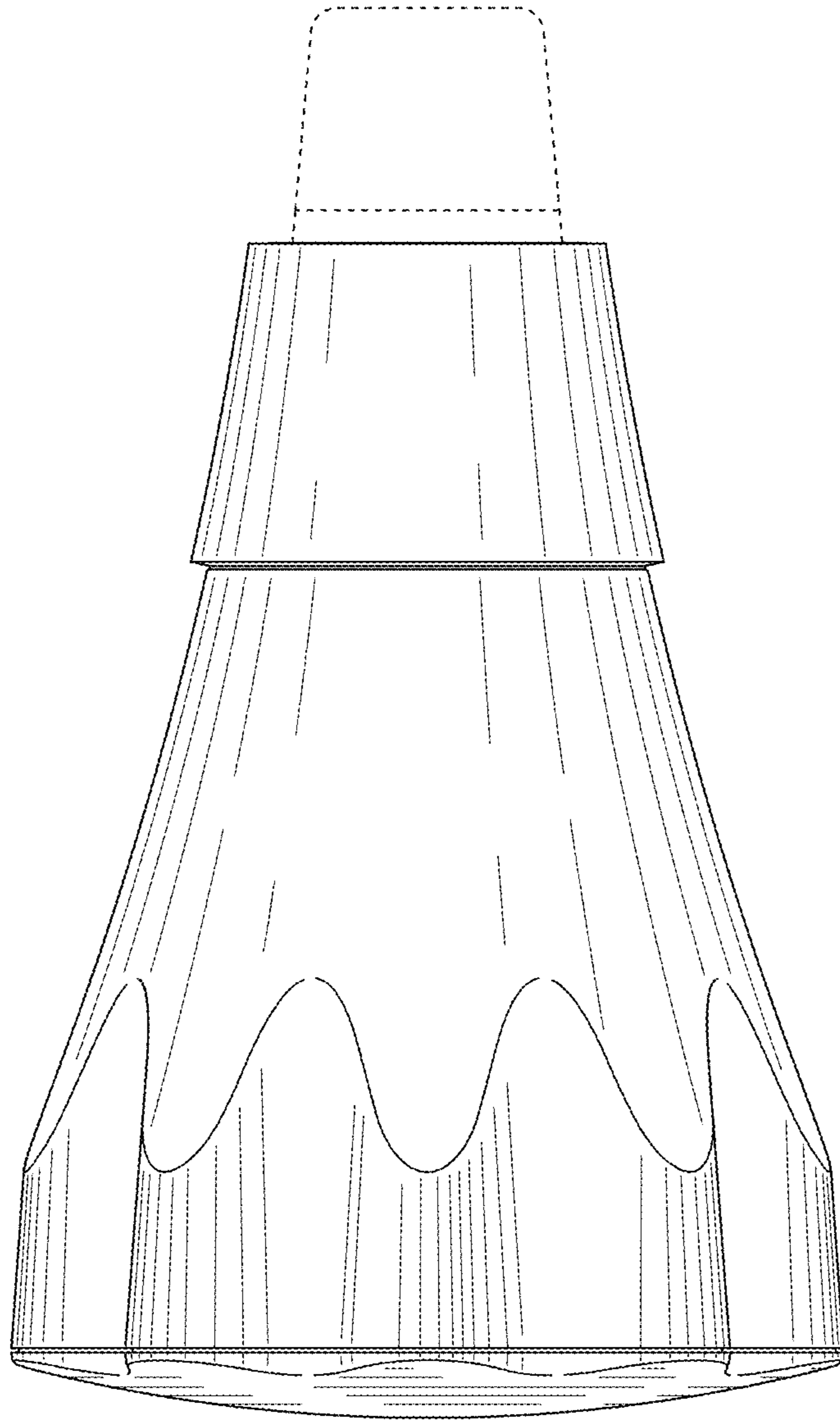


FIG. 31

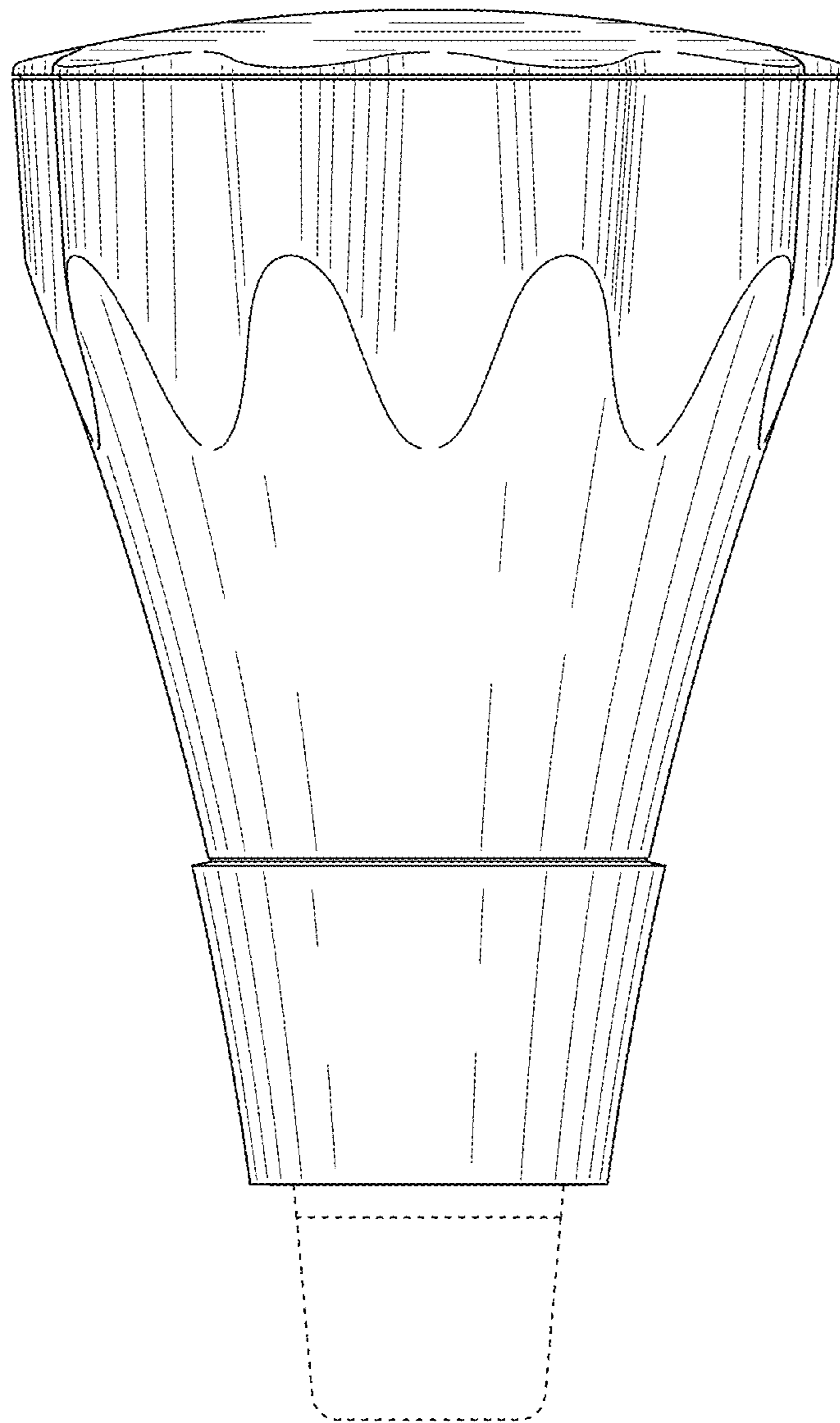


FIG. 32