



US00D711455S

(12) **United States Design Patent**
Inoue et al.

(10) **Patent No.:** **US D711,455 S**
(45) **Date of Patent:** **** Aug. 19, 2014**

(54) **SUPPORT FOR PROJECTOR**

(71) Applicant: **NEC Display Solutions, Ltd.**, Tokyo (JP)

(72) Inventors: **Kazuya Inoue**, Tokyo (JP); **Yoshinobu Moriya**, Tokyo (JP); **Dennis Liu**, Taipei (TW)

(73) Assignee: **NEC Display Solutions, Ltd.**, Tokyo (JP)

(**) Term: **14 Years**

(21) Appl. No.: **29/449,919**

(22) Filed: **Mar. 15, 2013**

(30) **Foreign Application Priority Data**

Sep. 27, 2012 (JP) 2012-023498

(51) **LOC (10) Cl.** **16-02**

(52) **U.S. Cl.**
USPC **D16/235**

(58) **Field of Classification Search**
USPC D16/235, 237, 242, 245; D8/349, D8/354-355, 363, 373; 248/124.1, 176.1, 248/176.3, 185.1, 183.2, 274.1, 291.1, 248/309.1, 346.01, 346.03, 343; 352/242-243; 353/119; D14/450
See application file for complete search history.

(56) **References Cited**

U.S. PATENT DOCUMENTS

2,541,434 A * 2/1951 Nelson et al. 248/274.1
4,958,907 A * 9/1990 Davis D14/450
D623,679 S * 9/2010 Dittmer D16/235
D623,680 S * 9/2010 Dittmer D16/235

D624,949 S * 10/2010 Nakayama et al. D16/235
8,454,174 B2 * 6/2013 Nakano et al. 353/119
8,573,551 B2 * 11/2013 Hung 248/274.1

OTHER PUBLICATIONS

Chief WP21S Ultra Short Throw Projector Mount, Extension Arm 24". [Retrieved on Nov. 26, 2013]. Retrieved from the Internet: <URL: http://www.ergodirect.com/product_info.php?products_id=17186>.*

* cited by examiner

Primary Examiner — Wan Laymon

(74) *Attorney, Agent, or Firm* — Sughrue Mion, PLLC

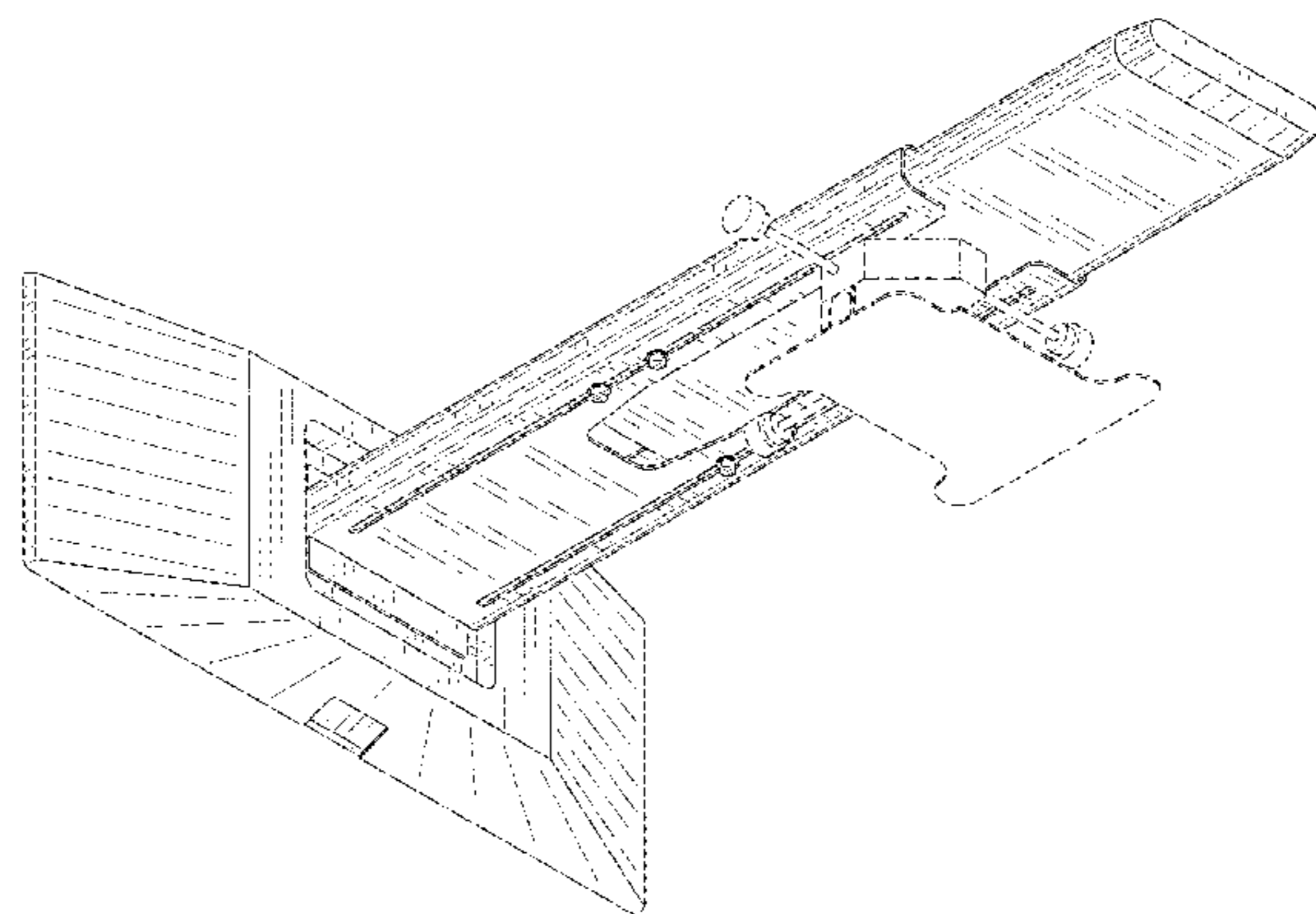
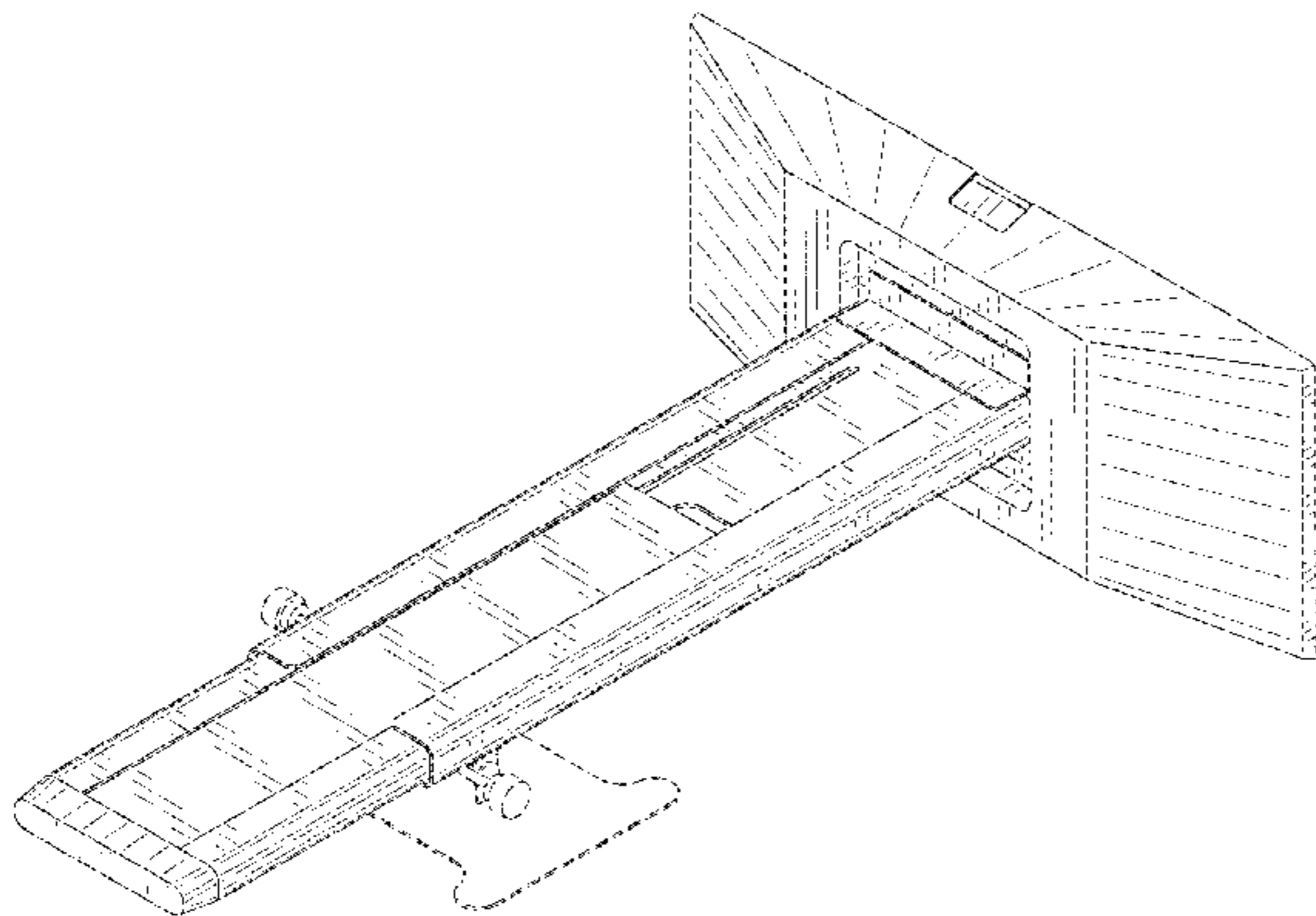
(57) **CLAIM**

The ornamental design for a support for projector, as shown and described.

DESCRIPTION

FIG. 1 is a front, right side, top perspective view of a support for projector showing our new design; FIG. 2 is a front elevational view thereof; FIG. 3 is a rear elevational view thereof; FIG. 4 is a left side view thereof; FIG. 5 is a right side view thereof; FIG. 6 is a top plan view thereof; FIG. 7 is a bottom plan view thereof; FIG. 8 is a front, left side, bottom perspective view thereof; FIG. 9 is a front, right side, top perspective view thereof, showing a state in which an arm part is extended; FIG. 10 is a front, right side, top perspective view thereof, showing a state in which an arm part is shortened; and, FIG. 11 is a reduced scale reference view thereof, showing a state in which a projector is attached to this article. The portions of the article shown in broken lines in the figures are for illustrative purposes only and form no part of the claimed design.

1 Claim, 9 Drawing Sheets



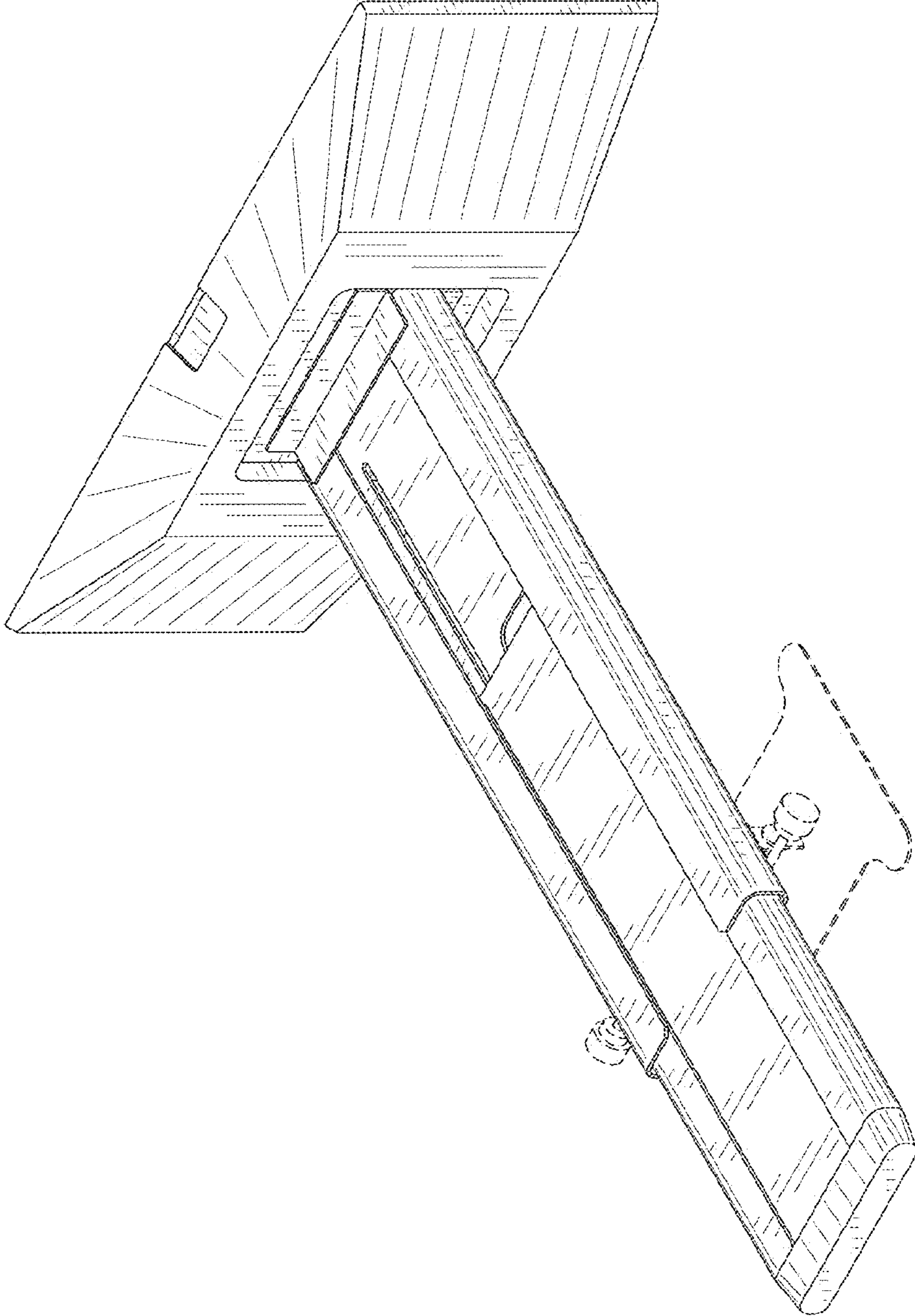


FIG. 1

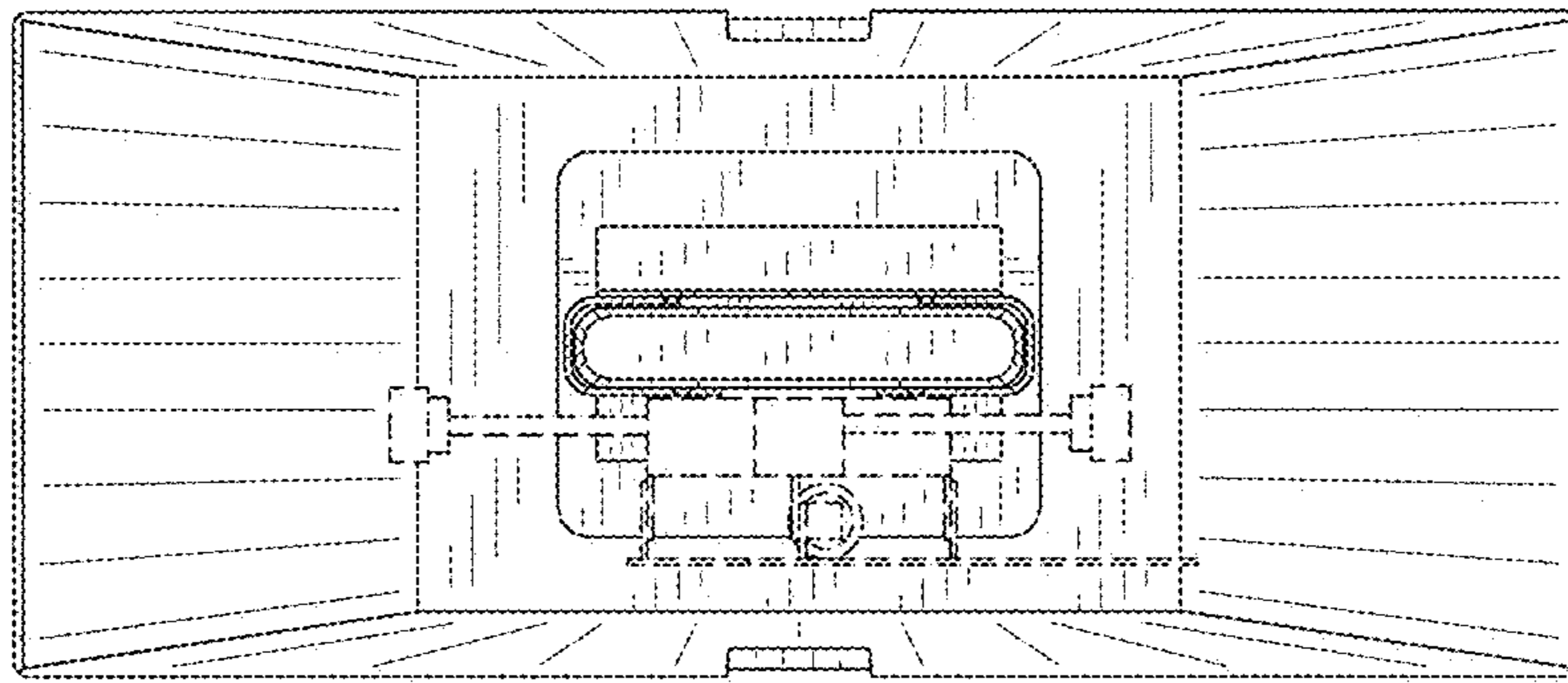


FIG. 2

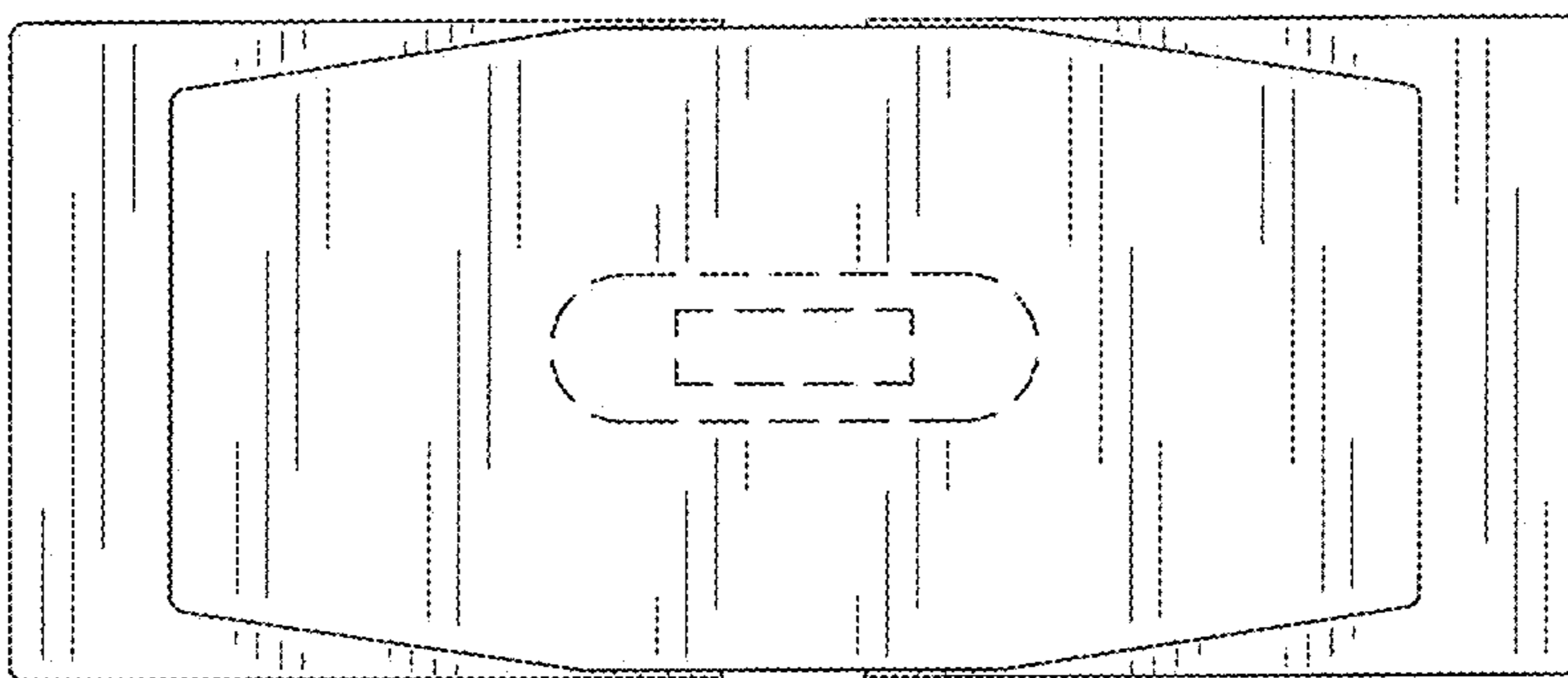


FIG. 3

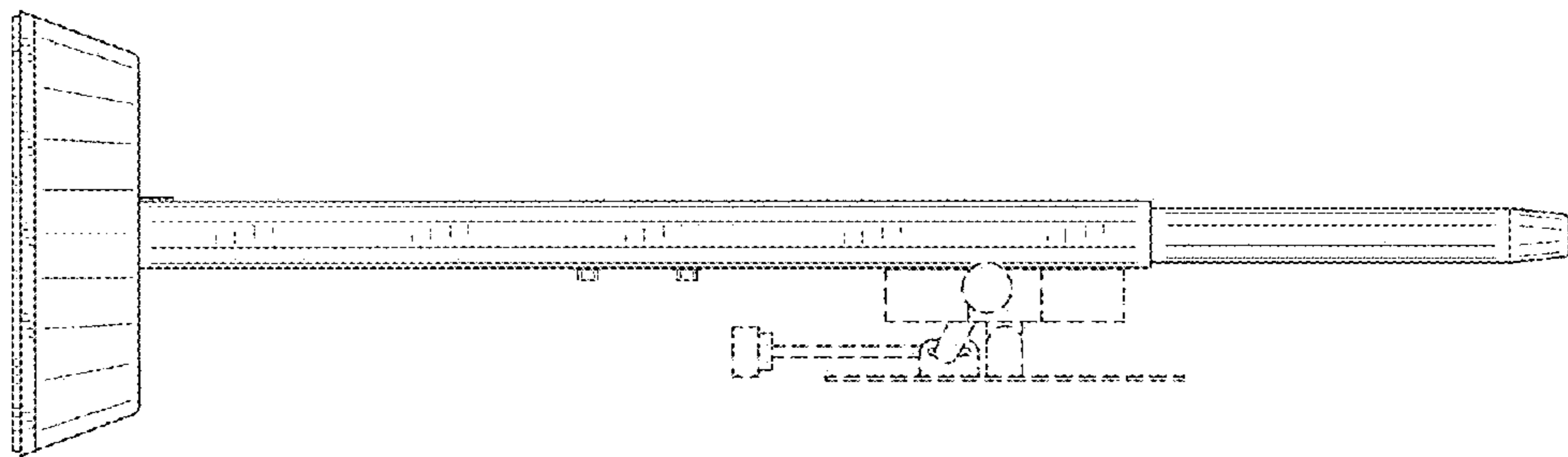


FIG. 4

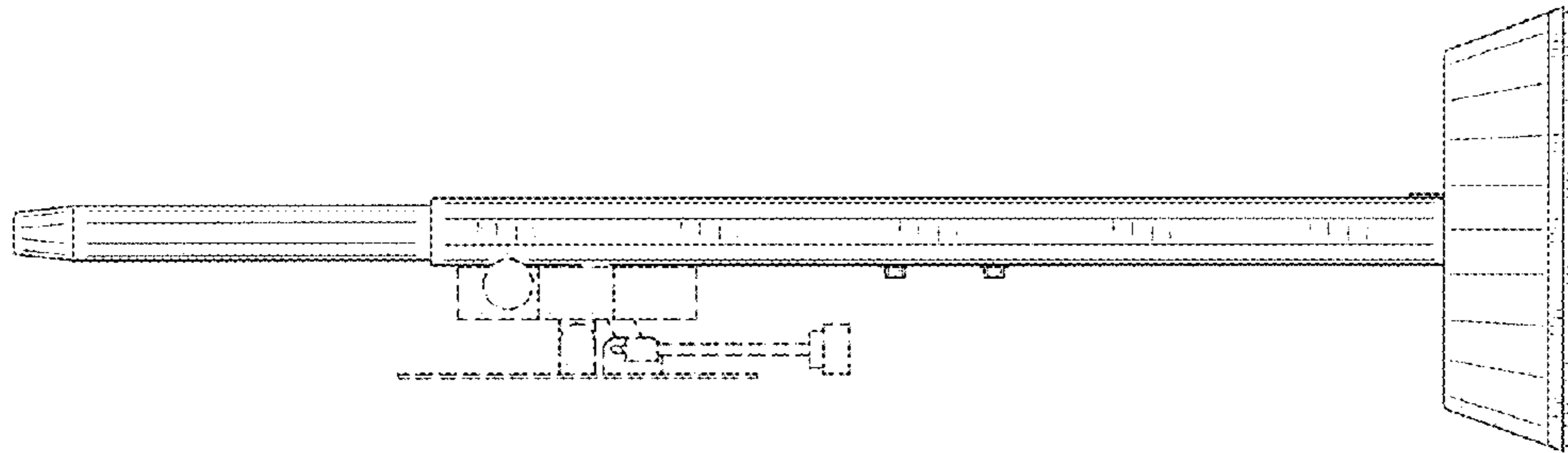


FIG. 5

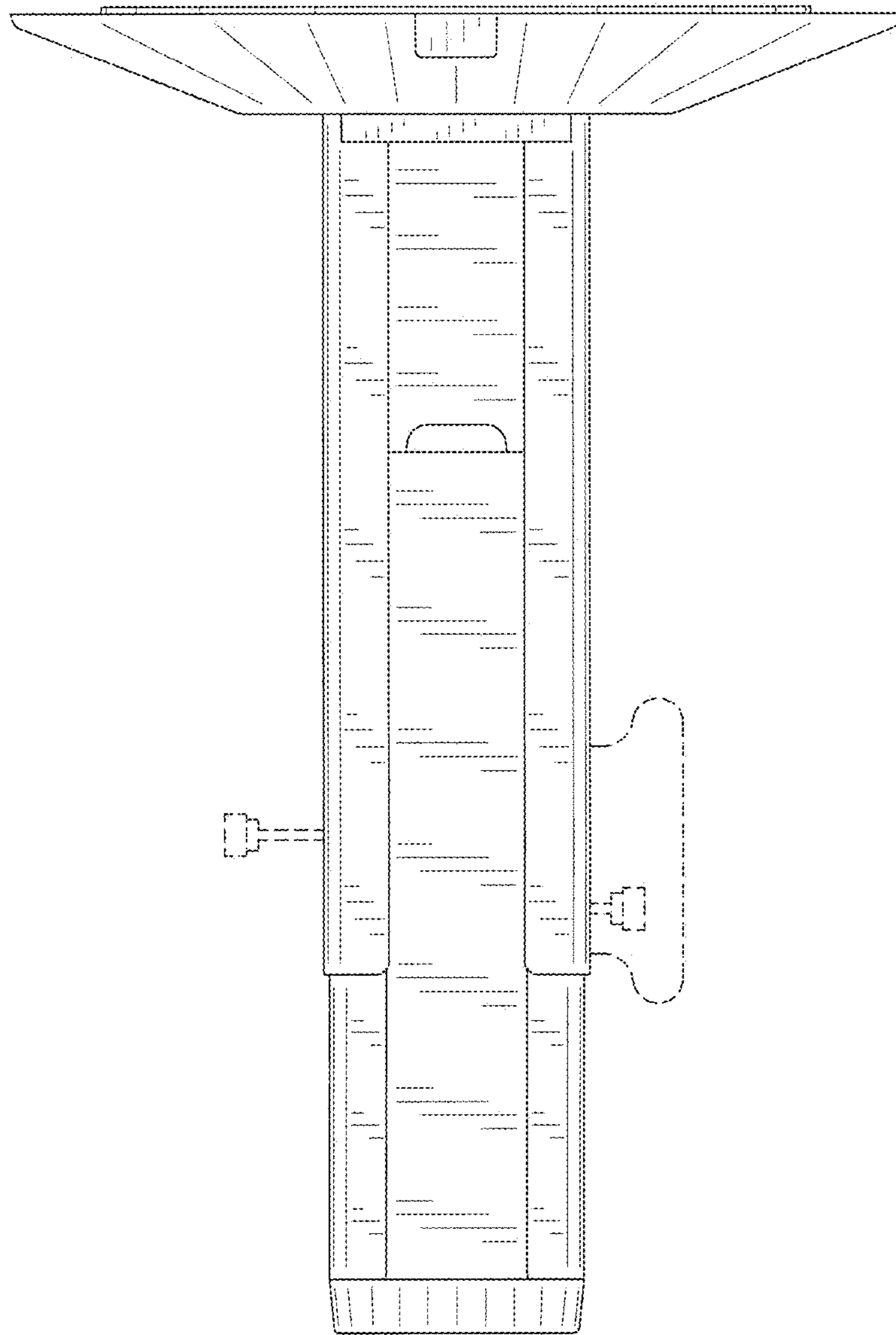


FIG. 6

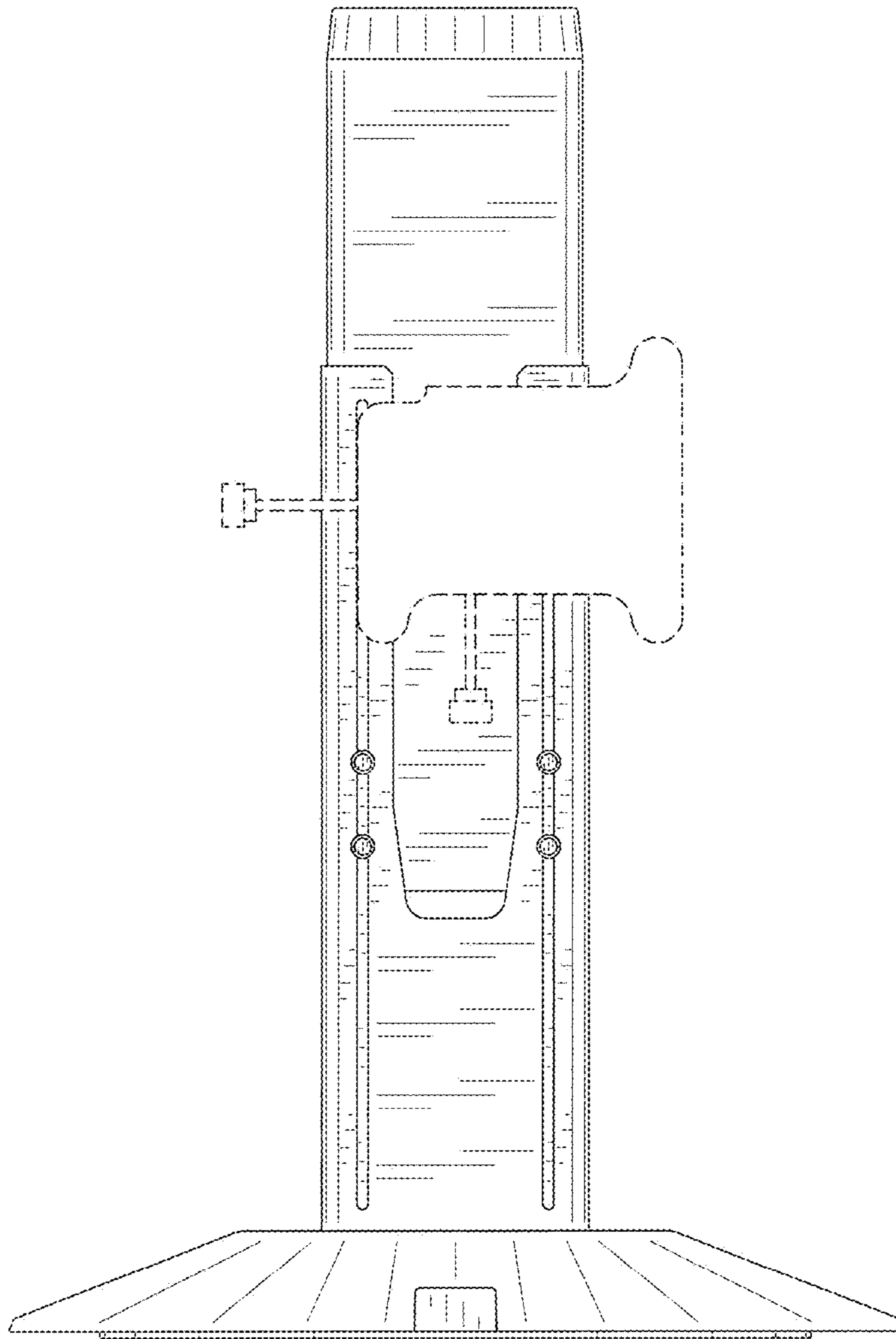


FIG. 7

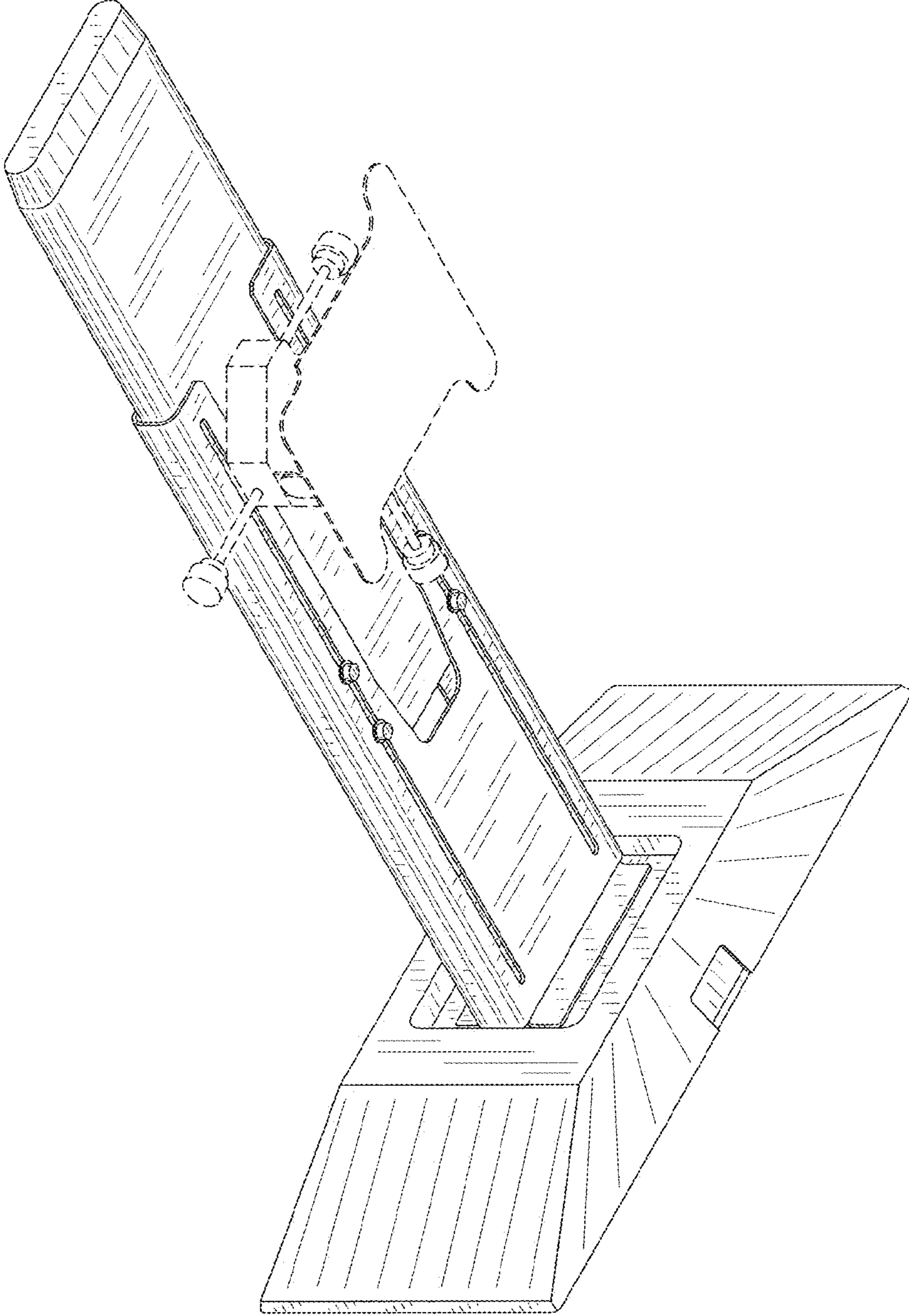


FIG. 8

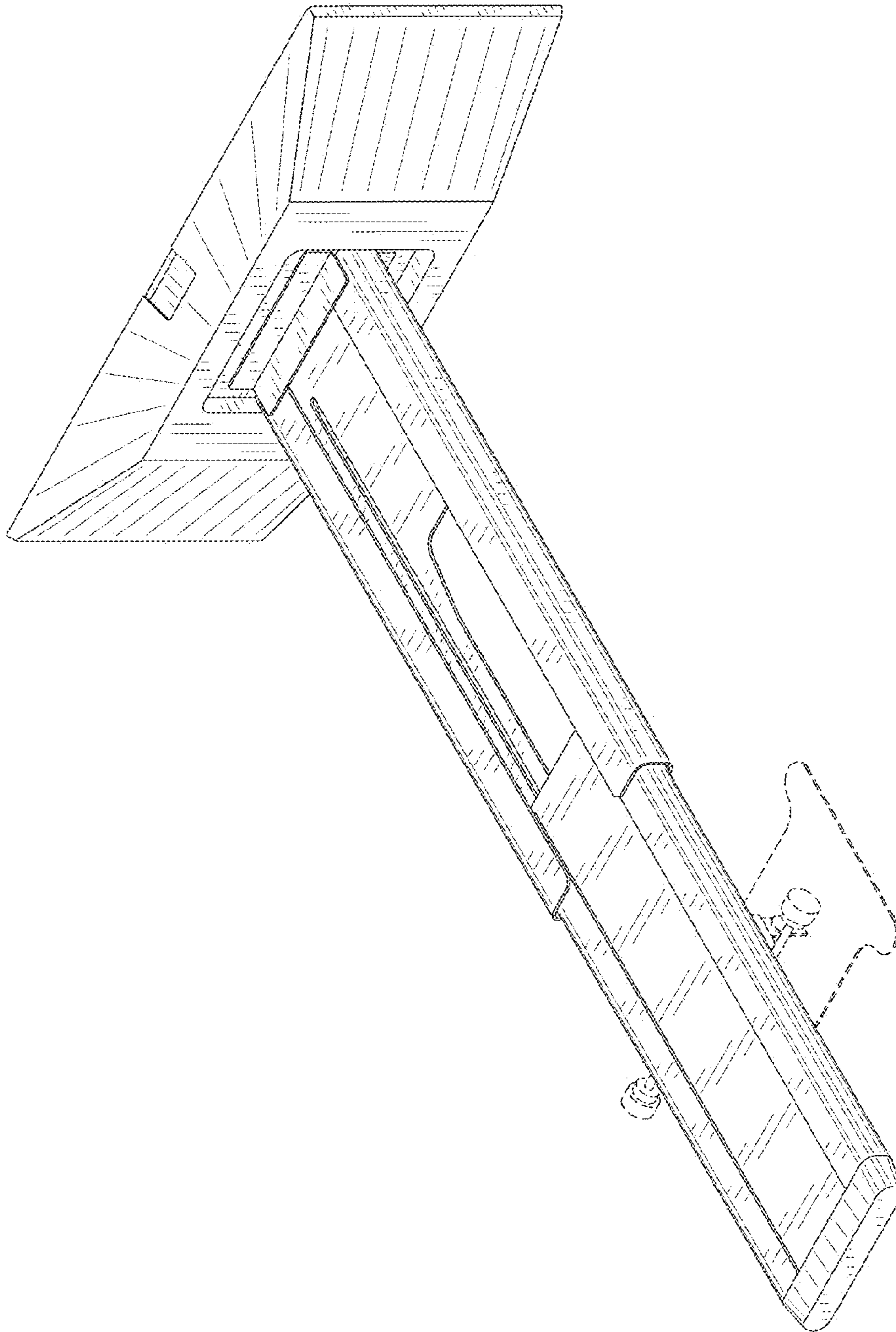


FIG. 9

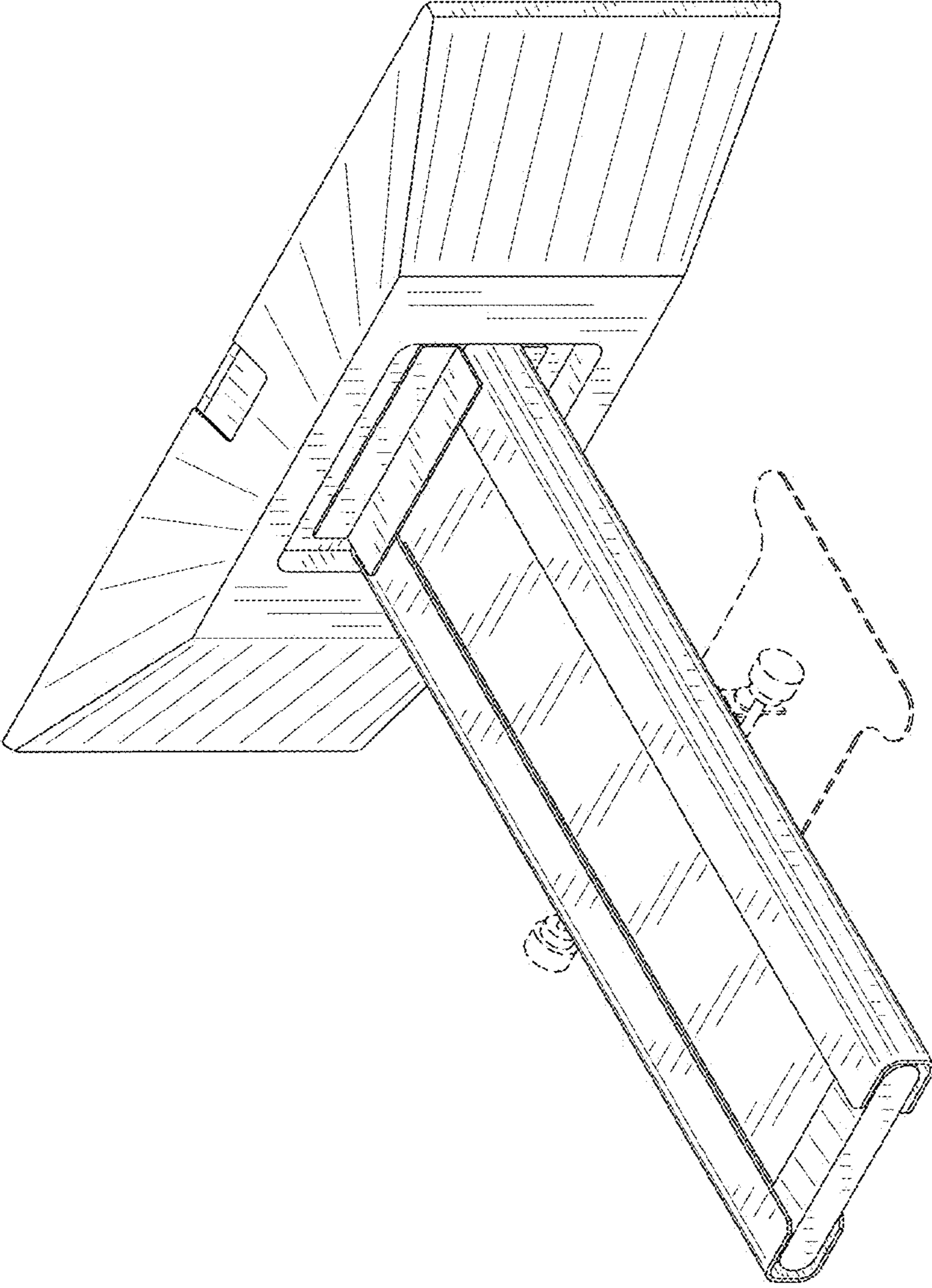


FIG. 10

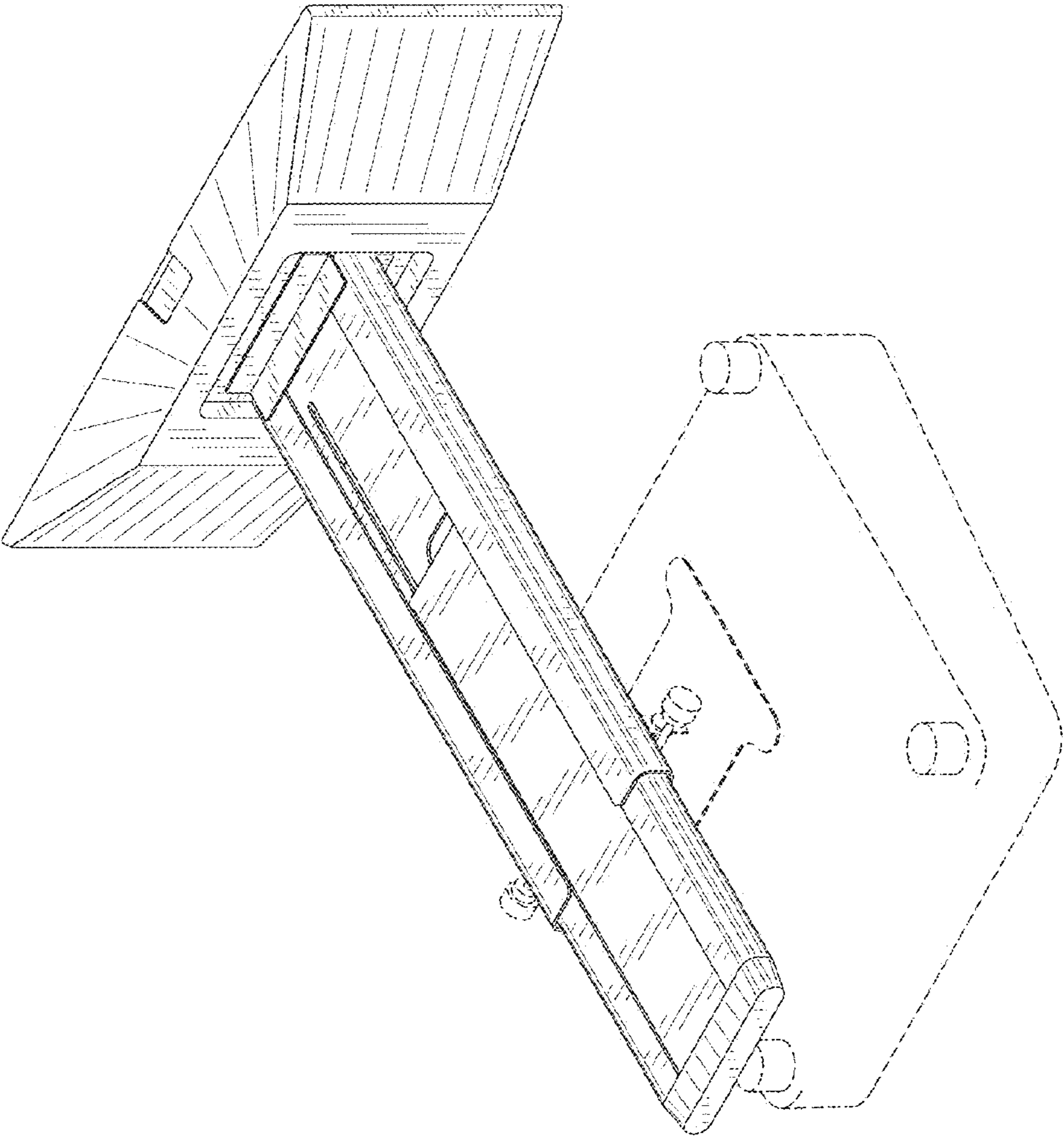


FIG. 11