



US00D711454S

(12) **United States Design Patent**
Fujii et al.

(10) **Patent No.:** **US D711,454 S**
(45) **Date of Patent:** **** Aug. 19, 2014**

- (54) **VIDEO PROJECTOR**
- (71) Applicant: **Sharp Kabushiki Kaisha**, Osaka (JP)
- (72) Inventors: **Yoshito Fujii**, Osaka (JP); **Harumi Sakamoto**, Osaka (JP); **Kunihara Wakata**, Osaka (JP); **Keiichi Takao**, Osaka (JP)
- (73) Assignee: **Sharp Kabushiki Kaisha**, Osaka-shi, Osaka (JP)
- (**) Term: **14 Years**
- (21) Appl. No.: **29/460,122**
- (22) Filed: **Jul. 8, 2013**

- (30) **Foreign Application Priority Data**
Jan. 9, 2013 (JP) 2013-000150
- (51) **LOC (10) Cl.** **16-02**
- (52) **U.S. Cl.**
USPC **D16/230; D16/225**
- (58) **Field of Classification Search**
USPC D16/208, 221, 225, 230-231, 234;
D21/514; 353/115, 119, 122
See application file for complete search history.

- (56) **References Cited**
U.S. PATENT DOCUMENTS
D343,850 S 2/1994 Saeki et al.
D356,103 S 3/1995 Saeki et al.
D364,416 S 11/1995 Saeki et al.
D365,587 S 12/1995 Saeki et al.
D387,795 S 12/1997 Sakamoto
D388,111 S 12/1997 Iida
D391,592 S 3/1998 Sakamoto et al.
D398,321 S 9/1998 Iida
D398,622 S 9/1998 Saeki et al.
D412,926 S 8/1999 Saeki et al.

- D419,172 S 1/2000 Saeki et al.
- D428,619 S 7/2000 Saeki et al.
- D434,430 S 11/2000 Saeki et al.
- D441,387 S 5/2001 Saeki et al.
- D449,060 S 10/2001 Saeki et al.
- D454,360 S 3/2002 Shimizu et al.
- D454,361 S 3/2002 Saeki et al.
- D457,179 S 5/2002 Saeki et al.
- D464,074 S * 10/2002 Miyazaki D16/230
- D473,252 S 4/2003 Shimamoto et al.
- D473,253 S 4/2003 Shimamoto
- D476,024 S 6/2003 Shimamoto
- D498,490 S * 11/2004 Kawasaki et al. D16/231
- D506,770 S 6/2005 Saeki et al.
- D564,565 S * 3/2008 Oota et al. D16/230
- D566,160 S 4/2008 Shimamoto
- D577,051 S 9/2008 Yamamizu

(Continued)

OTHER PUBLICATIONS

Design U.S. Appl. No. 29/460,121, filed Jul. 8, 2013 (pending).

Primary Examiner — Wan Laymon

(74) *Attorney, Agent, or Firm* — Nixon & Vanderhye, P.C.

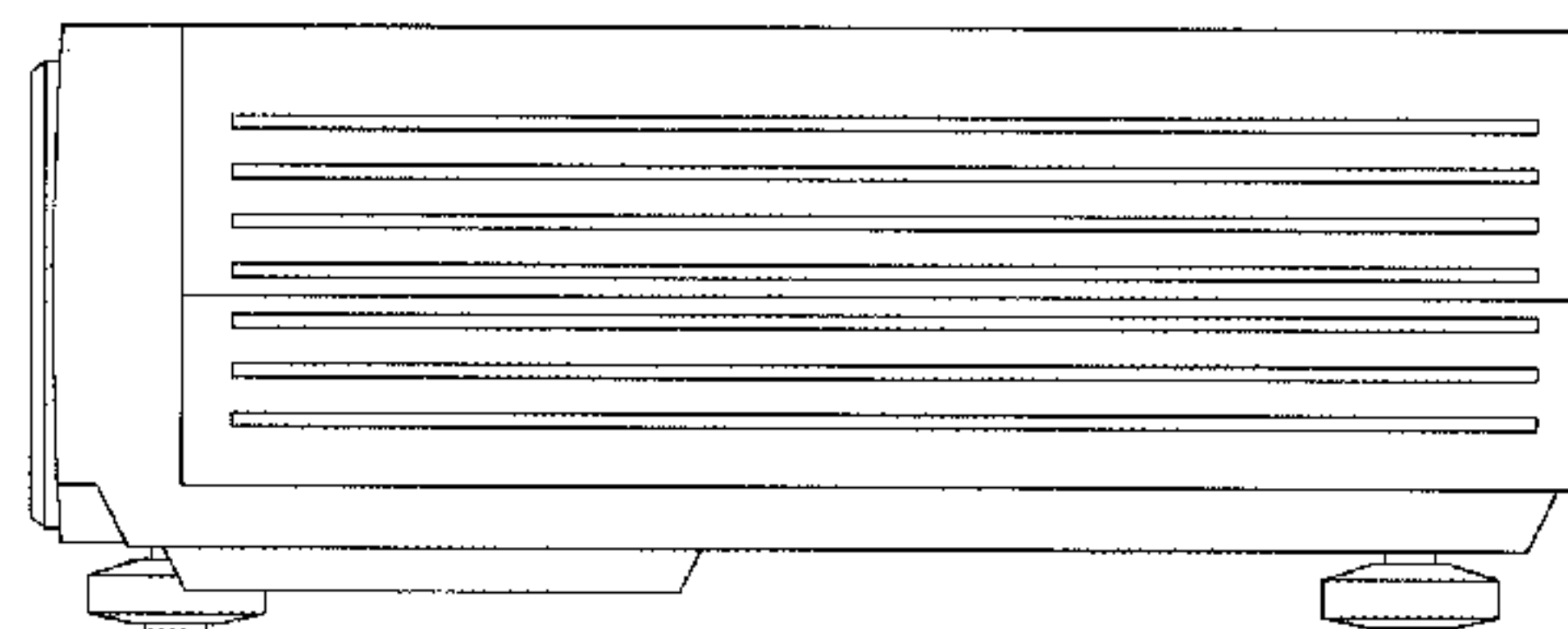
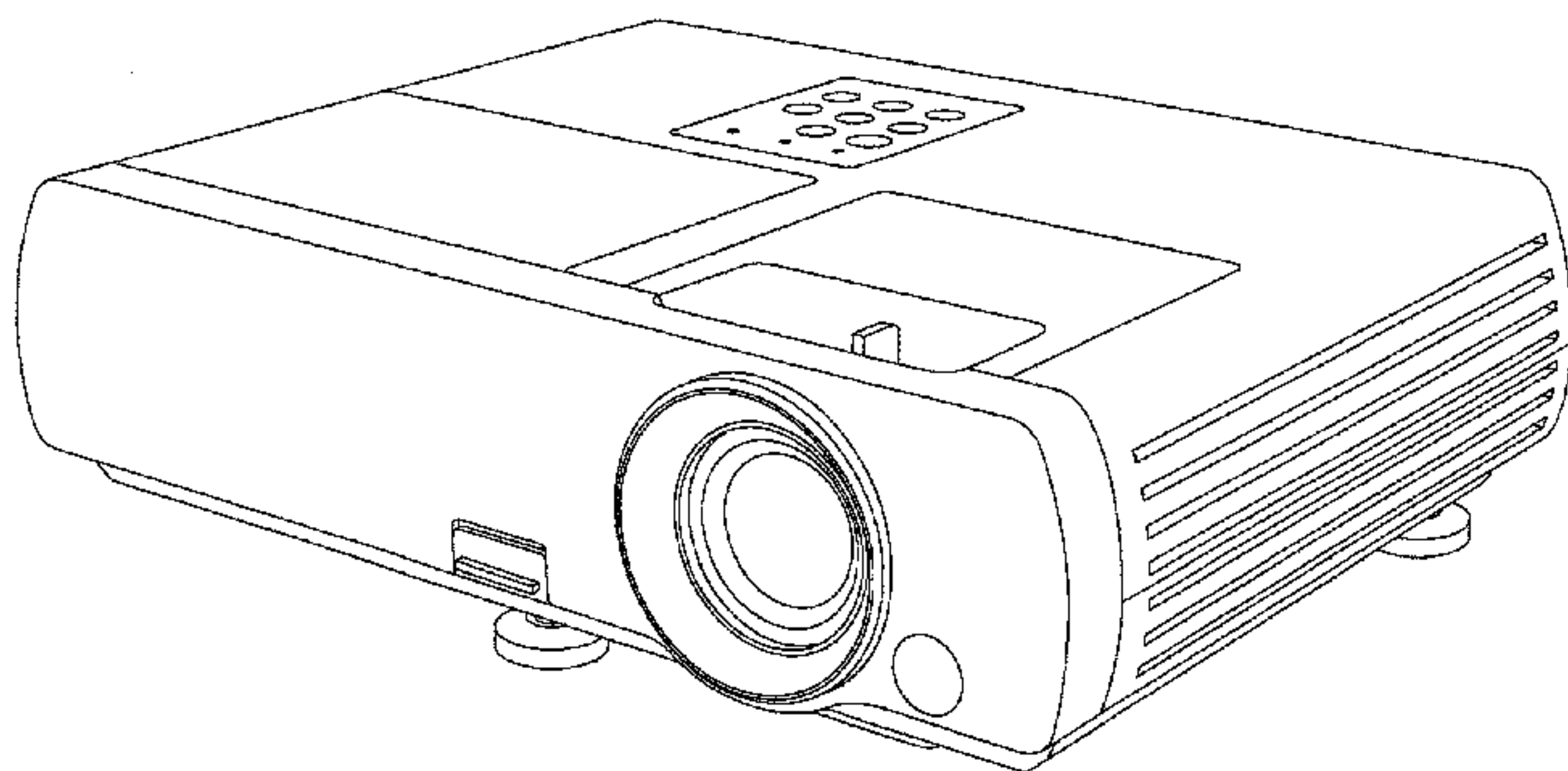
(57) **CLAIM**

The ornamental design for “video projector,” as shown and described.

DESCRIPTION

FIG. 1 is a top, right perspective view of a video projector in accordance with our new design; FIG. 2 is a front elevation view thereof; FIG. 3 is a rear elevation view thereof; FIG. 4 is top plan view thereof; FIG. 5 is a bottom plan view thereof; FIG. 6 is a right-side elevation view thereof; FIG. 7 is a left-side elevation view thereof; and, FIG. 8 is a cross section taken along the line 8-8 in FIG. 2. Subject matter shown in dotted lines in FIGS. 3 and 8 forms no part of the claimed invention.

1 Claim, 7 Drawing Sheets



US D711,454 S

Page 2

(56)

References Cited

U.S. PATENT DOCUMENTS

D578,150 S *	10/2008	Sakamaki et al.	D16/230	
D618,718 S *	6/2010	Oota et al.	D16/225	* cited by examiner
D648,768 S	11/2011	Sakamoto		
8,118,437 B2 *	2/2012	Otsuki	353/119	
D655,739 S *	3/2012	Ogawa et al.	D16/230	

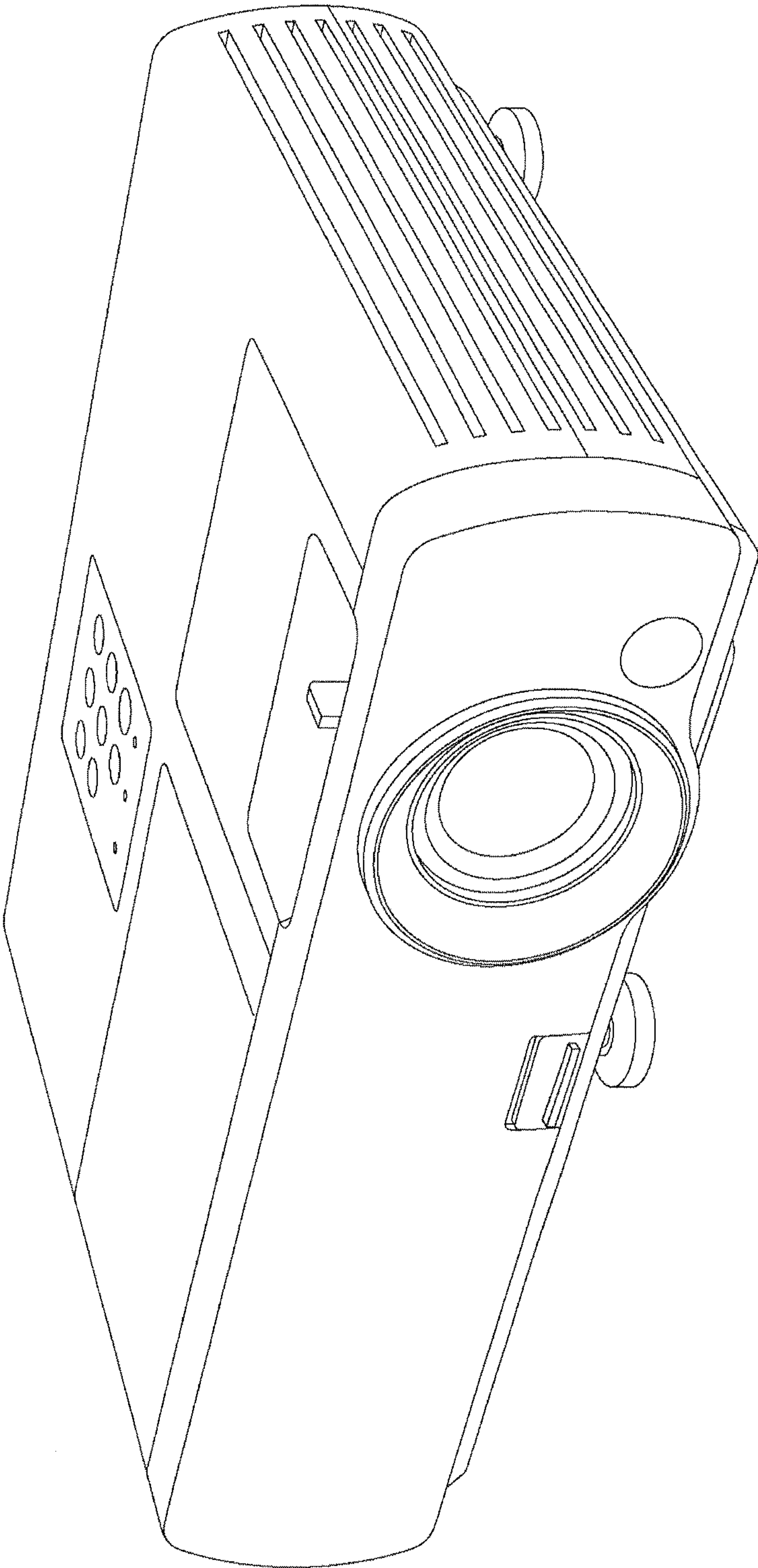


FIG. 1

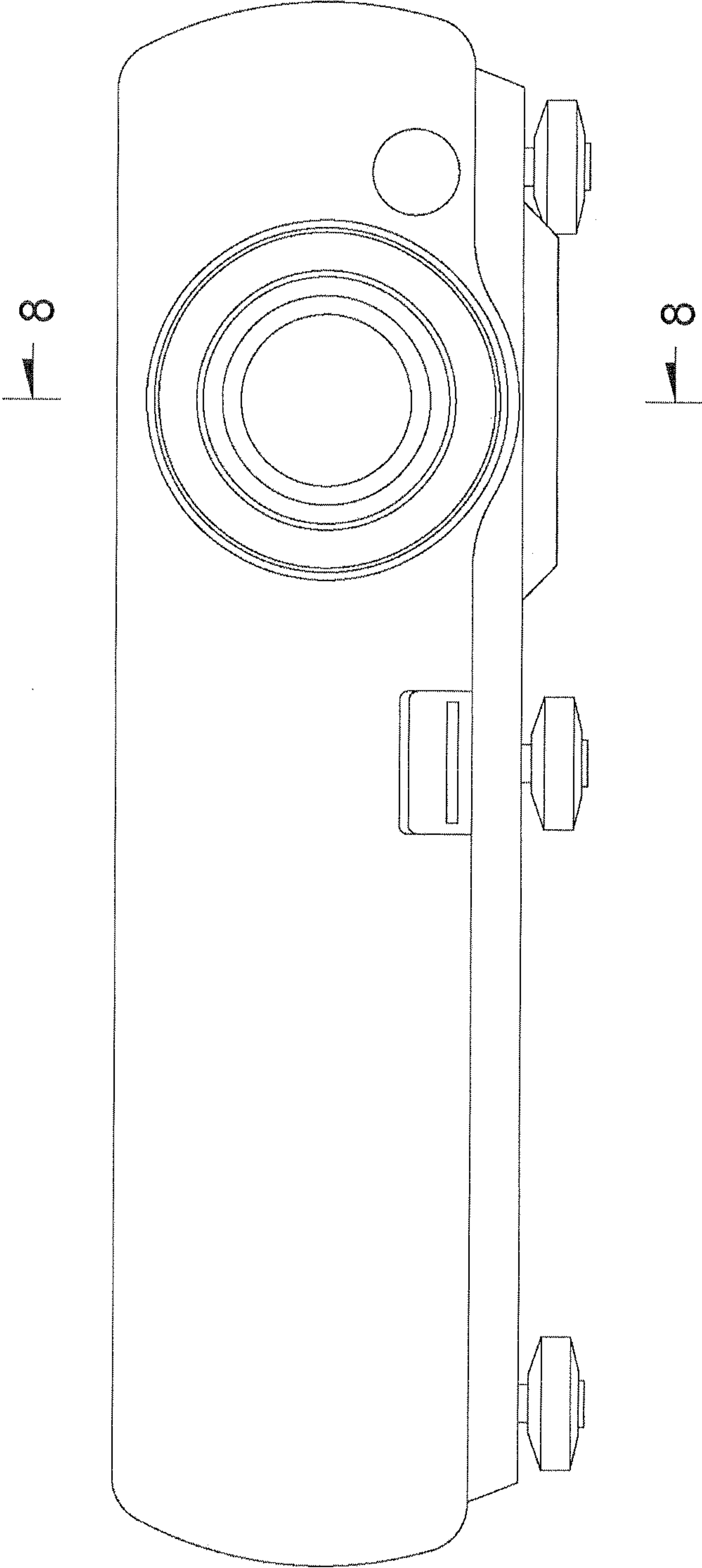


FIG. 2

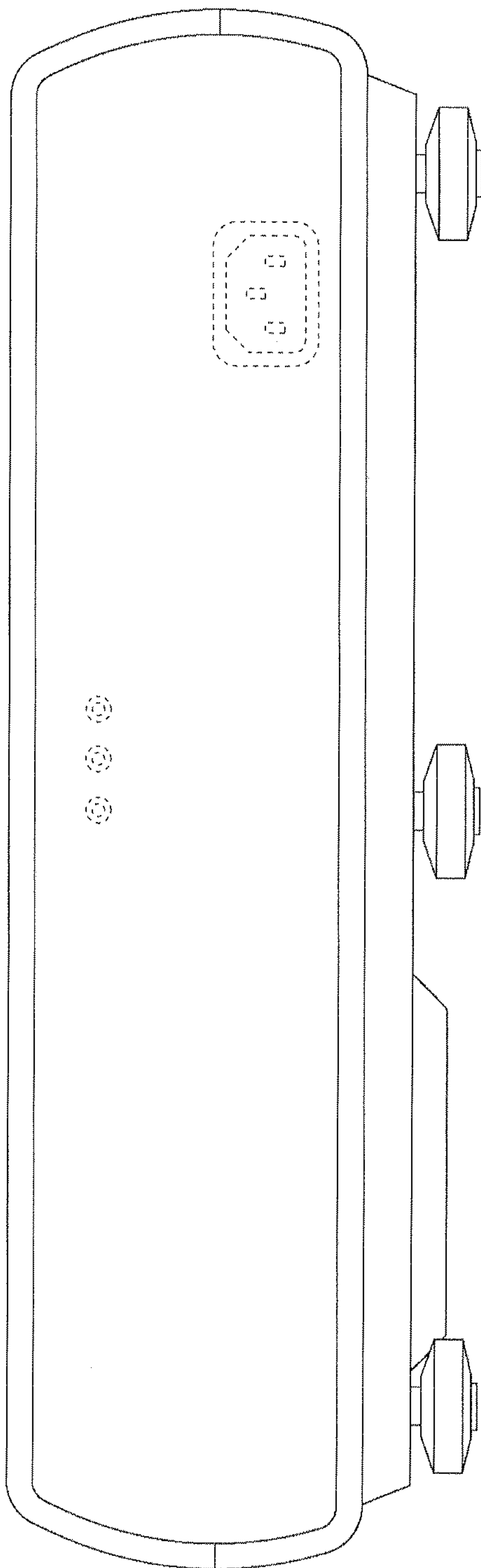


FIG. 3

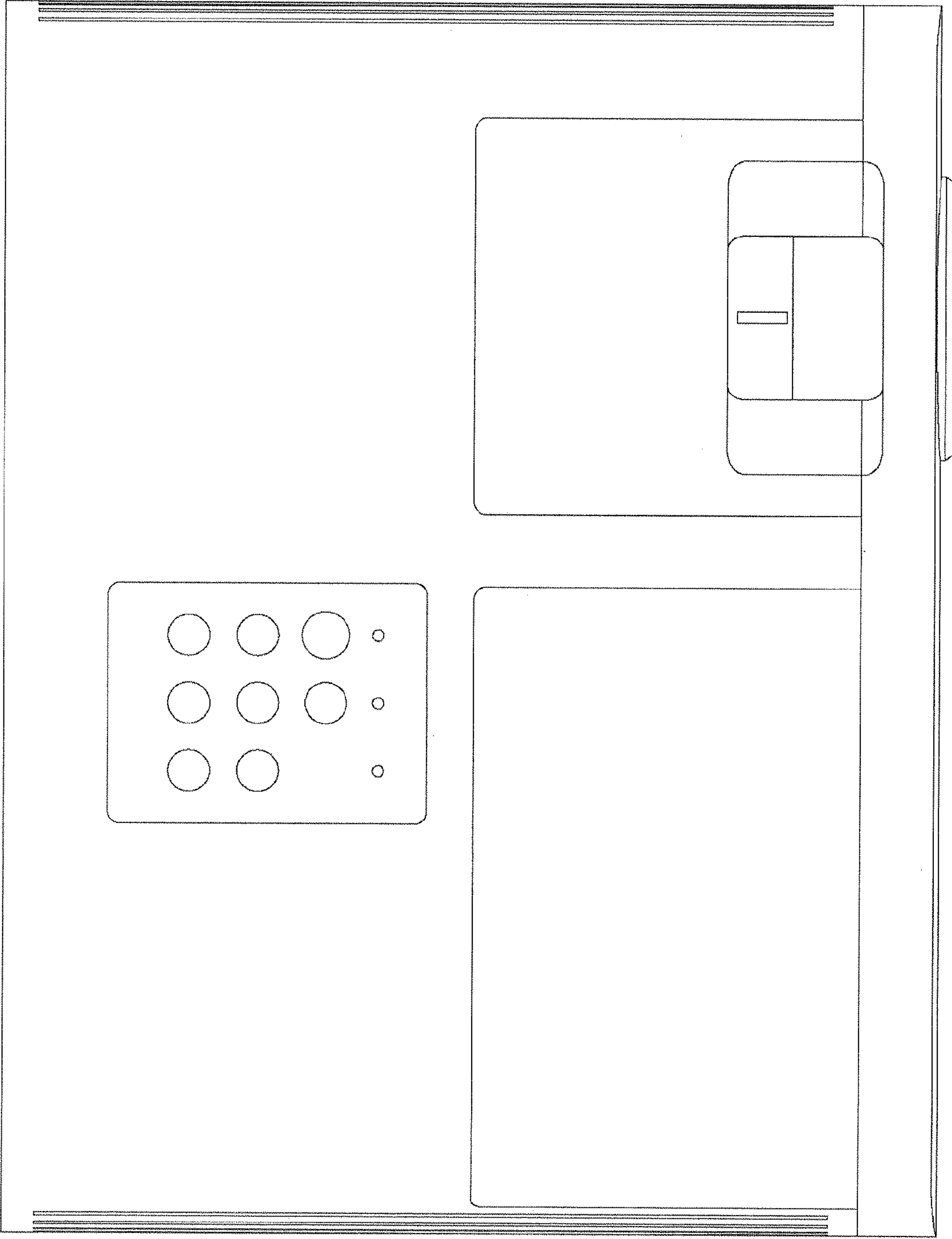


FIG. 4

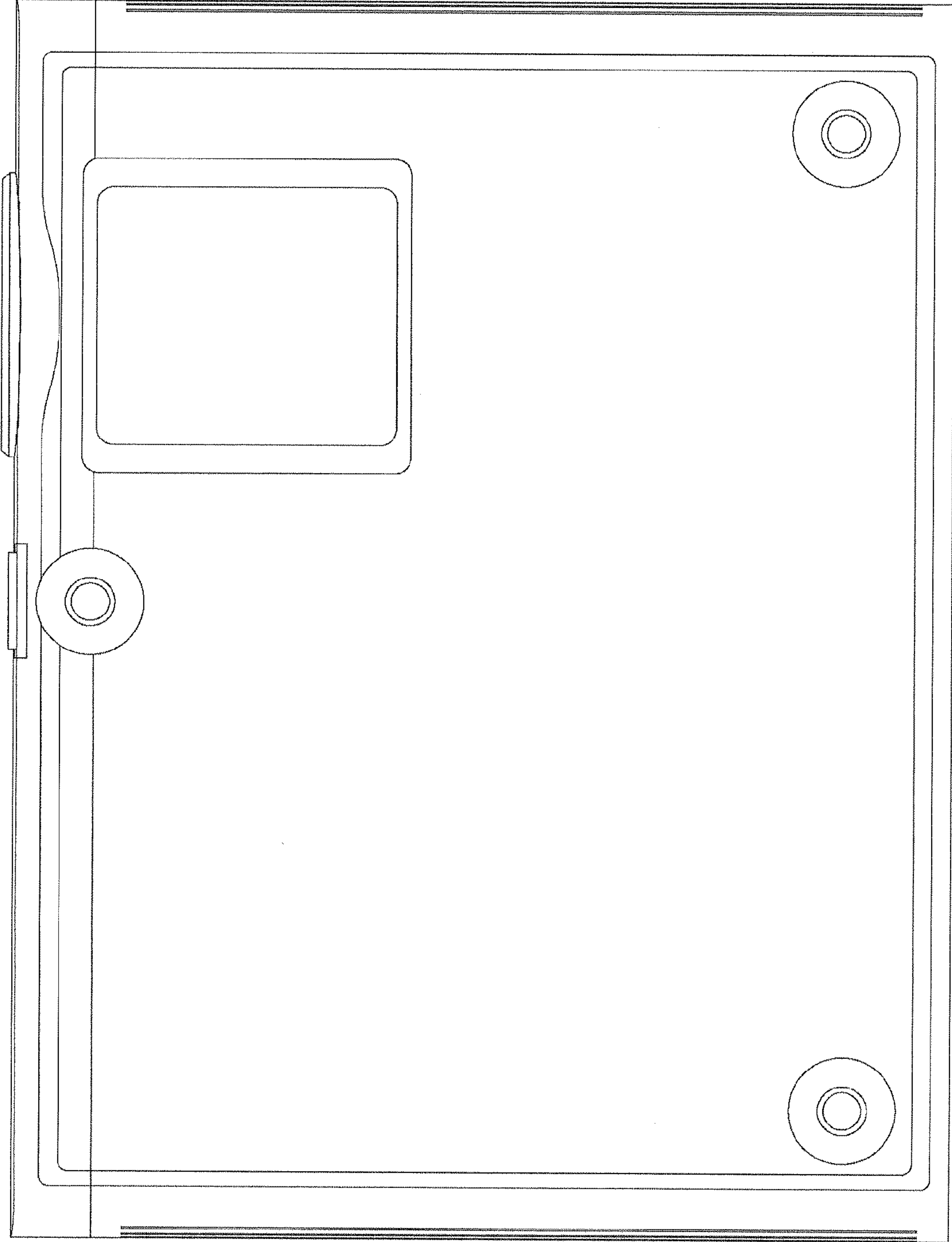


FIG. 5

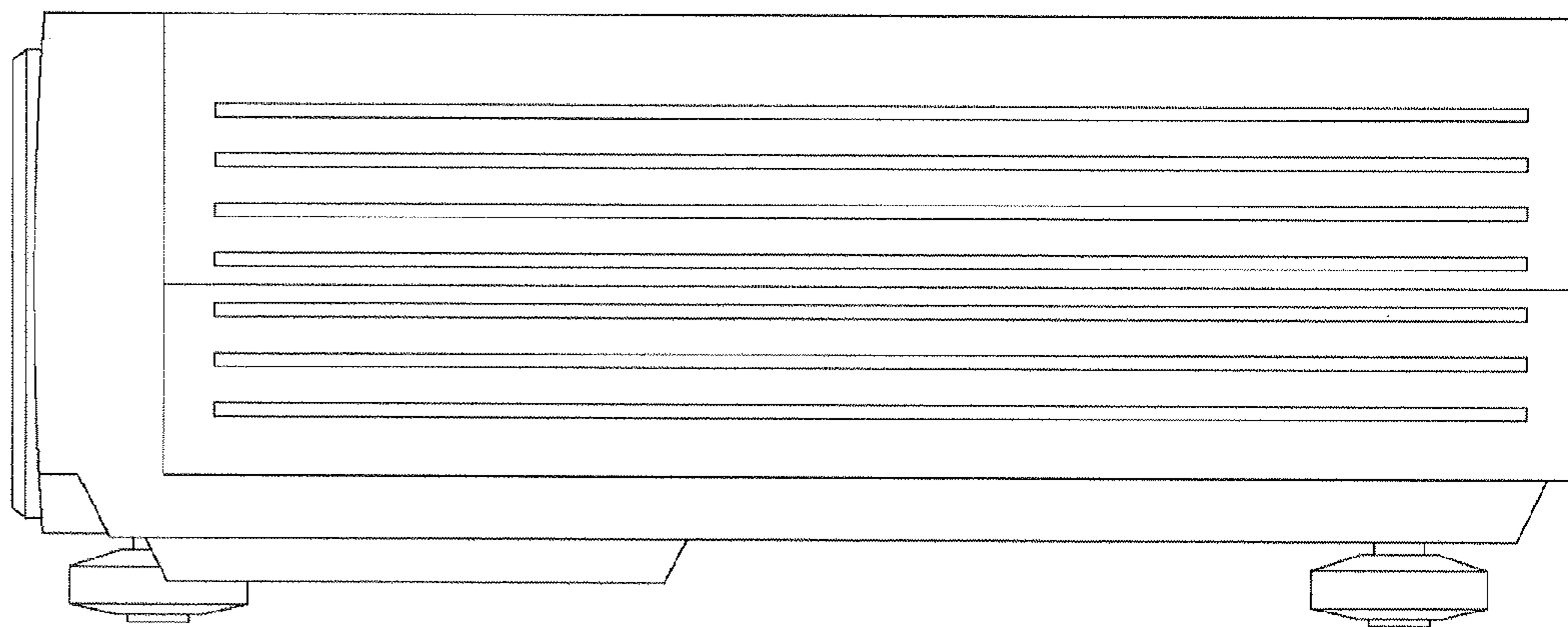


FIG. 6

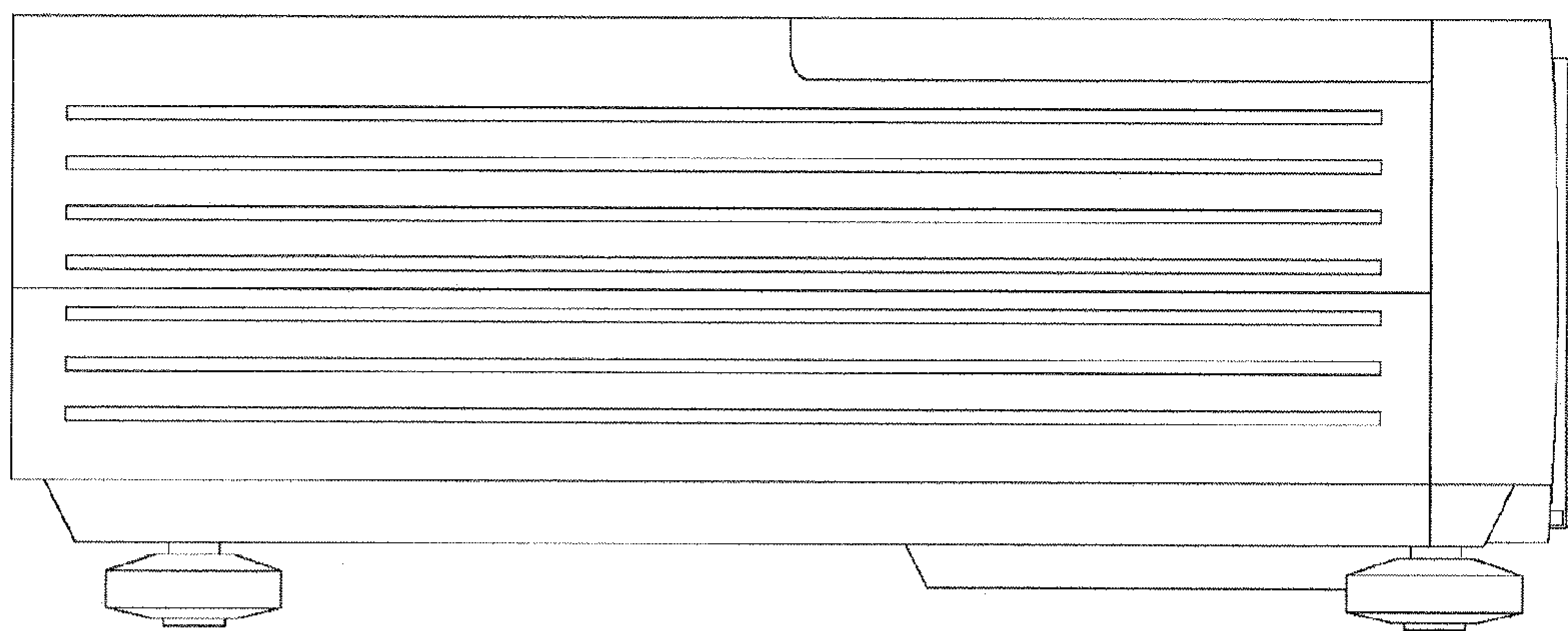


FIG. 7

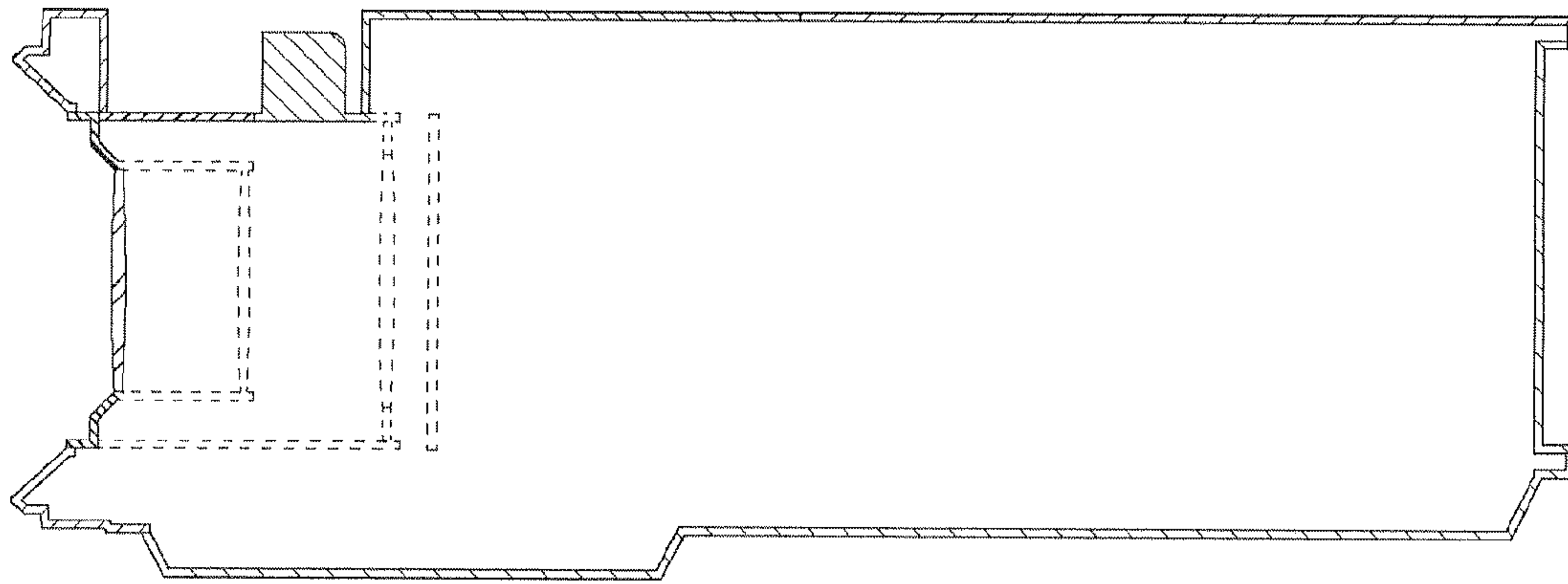


FIG. 8