



US00D711453S

(12) **United States Design Patent**
Fujii et al.

(10) **Patent No.:** **US D711,453 S**
(45) **Date of Patent:** **** Aug. 19, 2014**

(54) **VIDEO PROJECTOR**

(71) Applicant: **Sharp Kabushiki Kaisha**, Osaka (JP)

(72) Inventors: **Yoshito Fujii**, Osaka (JP); **Harumi Sakamoto**, Osaka (JP); **Kunihara Wakata**, Osaka (JP); **Keiichi Takao**, Osaka (JP)

(73) Assignee: **Sharp Kabushiki Kaisha**, Osaka-shi, Osaka (JP)

(**) Term: **14 Years**

(21) Appl. No.: **29/460,121**

(22) Filed: **Jul. 8, 2013**

(30) **Foreign Application Priority Data**

Jan. 9, 2013 (JP) 2013-000149

(51) **LOC (10) Cl.** **16-02**

(52) **U.S. Cl.**
USPC **D16/230; D16/225**

(58) **Field of Classification Search**
USPC D16/208, 221, 225, 230-231, 234;
D21/514; 353/115, 119, 122
See application file for complete search history.

(56) **References Cited**

U.S. PATENT DOCUMENTS

D343,850 S	2/1994	Saeki et al.
D356,103 S	3/1995	Saeki et al.
D364,416 S	11/1995	Saeki et al.
D365,587 S	12/1995	Saeki et al.
D387,795 S	12/1997	Sakamoto
D388,111 S	12/1997	Iida
D391,592 S	3/1998	Sakamoto et al.
D398,321 S	9/1998	Iida
D398,622 S	9/1998	Saeki et al.
D412,926 S	8/1999	Saeki et al.

D419,172 S	1/2000	Saeki et al.	
D428,619 S	7/2000	Saeki et al.	
D434,430 S	11/2000	Saeki et al.	
D441,387 S	5/2001	Saeki et al.	
D449,060 S	10/2001	Saeki et al.	
D454,360 S	3/2002	Shimizu et al.	
D454,361 S	3/2002	Saeki et al.	
D457,179 S	5/2002	Saeki et al.	
D464,074 S	* 10/2002	Miyazaki D16/230
D473,252 S	4/2003	Shimamoto et al.	
D473,253 S	4/2003	Shimamoto	
D476,024 S	6/2003	Shimamoto	
D498,490 S	* 11/2004	Kawasaki et al. D16/231
D506,770 S	6/2005	Saeki et al.	
D564,565 S	* 3/2008	Oota et al. D16/230
D566,160 S	4/2008	Shimamoto	
D577,051 S	9/2008	Yamamizu	

(Continued)

OTHER PUBLICATIONS

Design U.S. Appl. No. 29/460,122, filed Jul. 8, 2013 (pending).

Primary Examiner — Wan Laymon

(74) *Attorney, Agent, or Firm* — Nixon & Vanderhye, P.C.

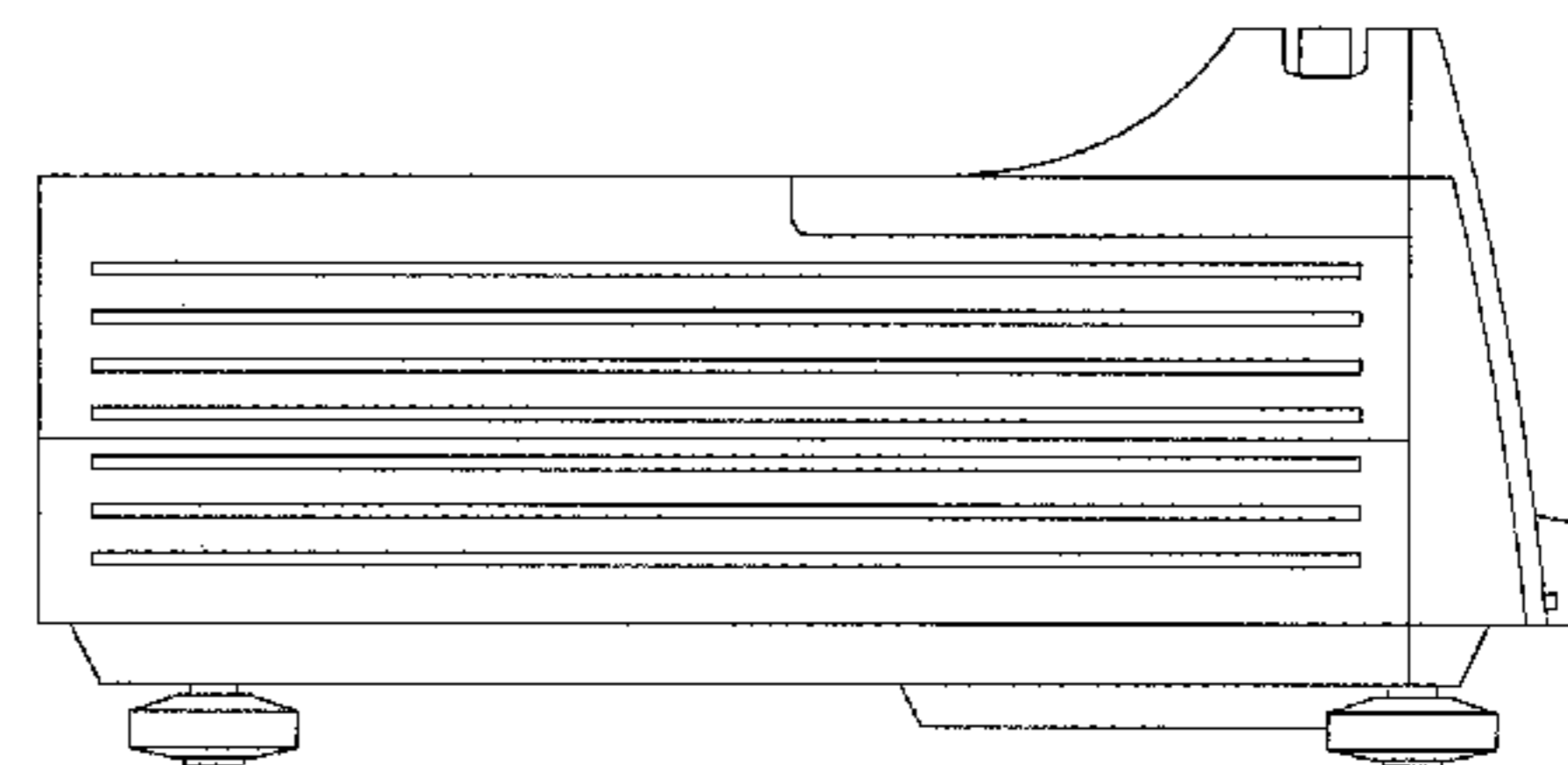
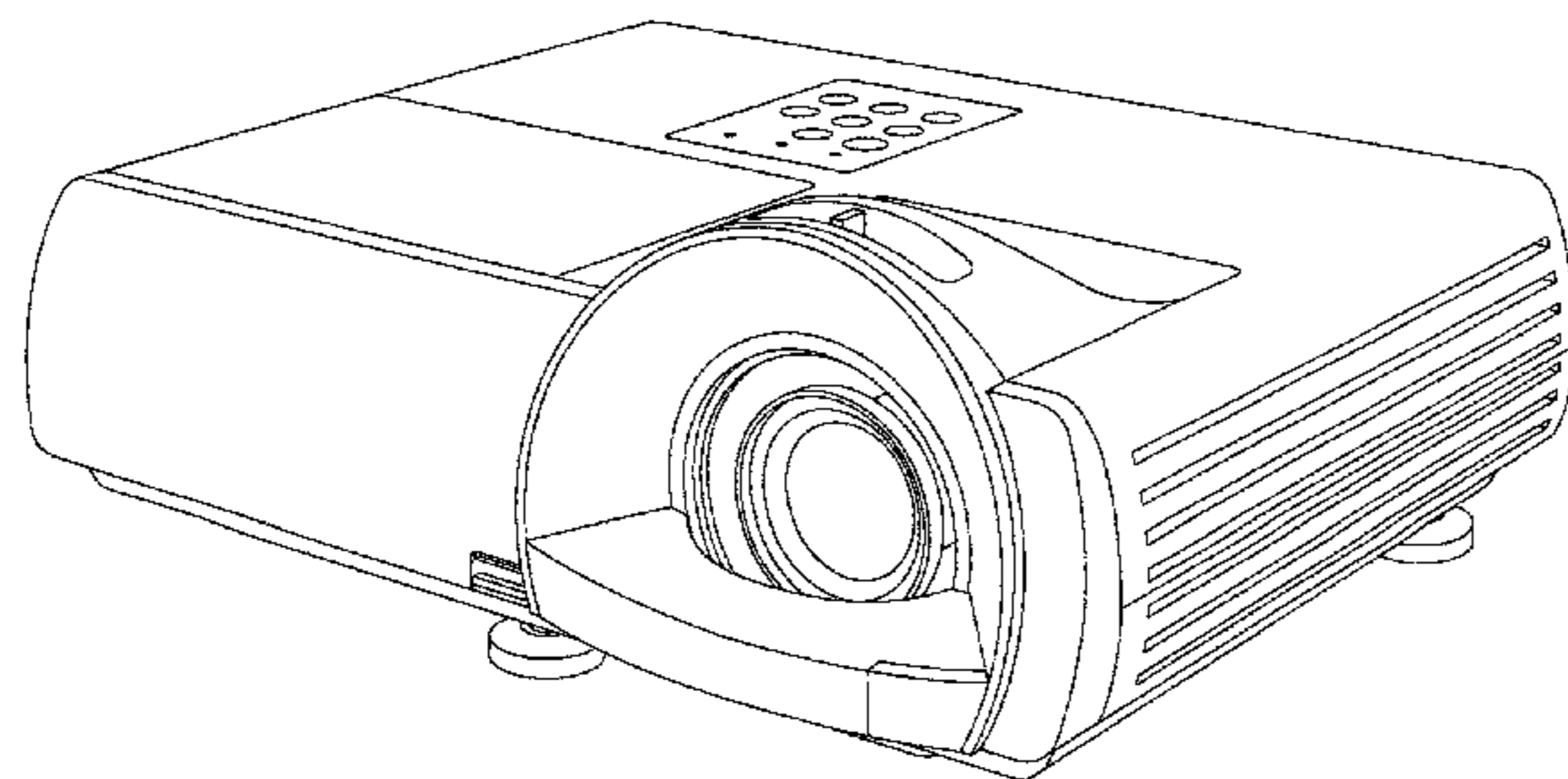
(57) **CLAIM**

The ornamental design for “video projector,” as shown and described.

DESCRIPTION

FIG. 1 is a top, right perspective view of a video projector in accordance with our new design; FIG. 2 is a front elevation view thereof; FIG. 3 is a rear elevation view thereof; FIG. 4 is top plan view thereof; FIG. 5 is a bottom plan view thereof; FIG. 6 is a right-side elevation view thereof; FIG. 7 is a left-side elevation view thereof; and, FIG. 8 is a cross section taken along the line 8-8 in FIG. 2. Subject matter shown in dotted lines in FIGS. 3 and 8 forms no part of the claimed invention.

1 Claim, 7 Drawing Sheets



US D711,453 S

Page 2

(56)

References Cited

U.S. PATENT DOCUMENTS

D578,150 S *	10/2008	Sakamaki et al.	D16/230	
D618,718 S *	6/2010	Oota et al.	D16/225	* cited by examiner
D648,768 S	11/2011	Sakamoto		
8,118,437 B2 *	2/2012	Otsuki	353/119	
D655,739 S *	3/2012	Ogawa et al.	D16/230	

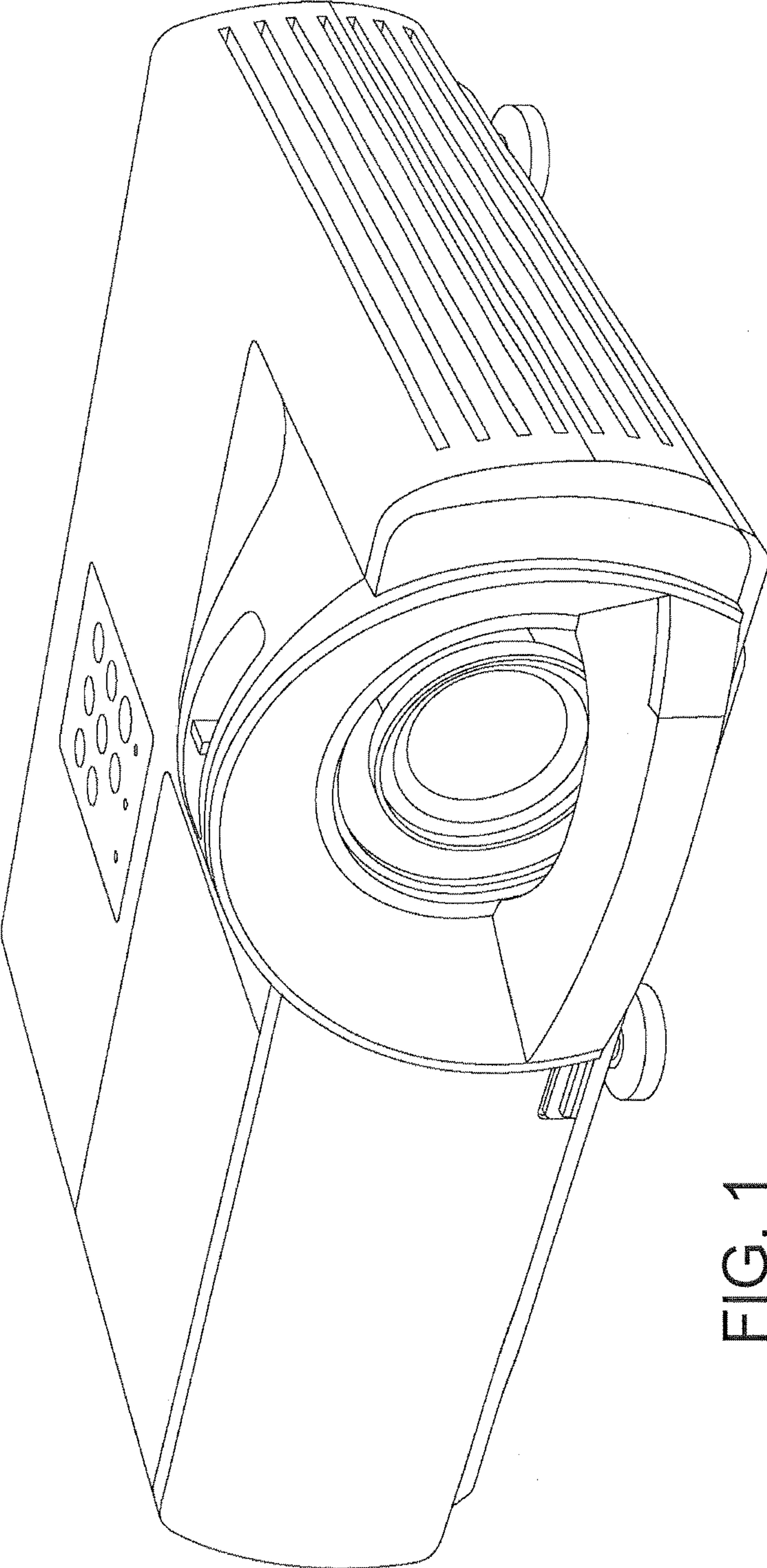


FIG. 1

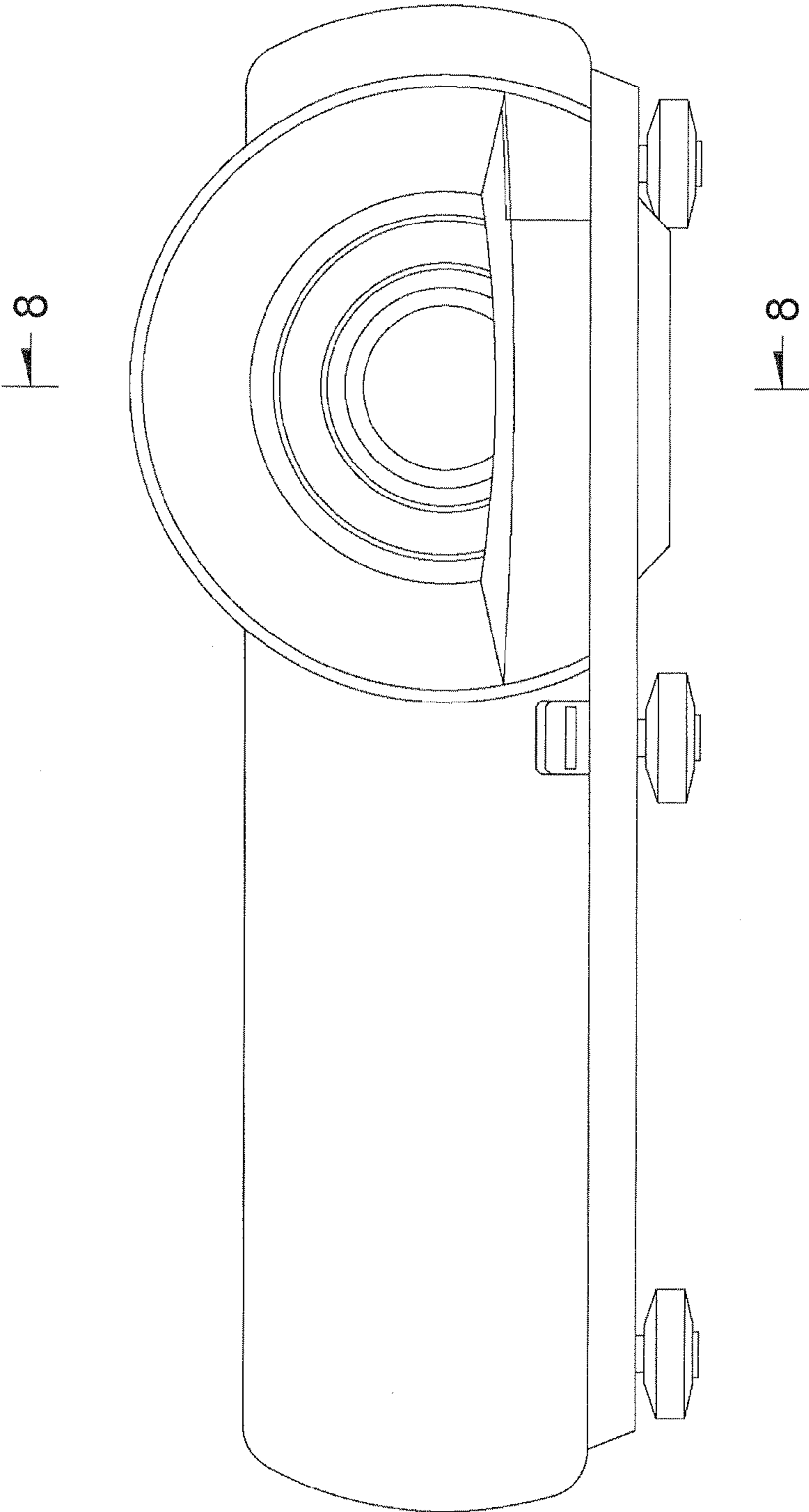


FIG. 2

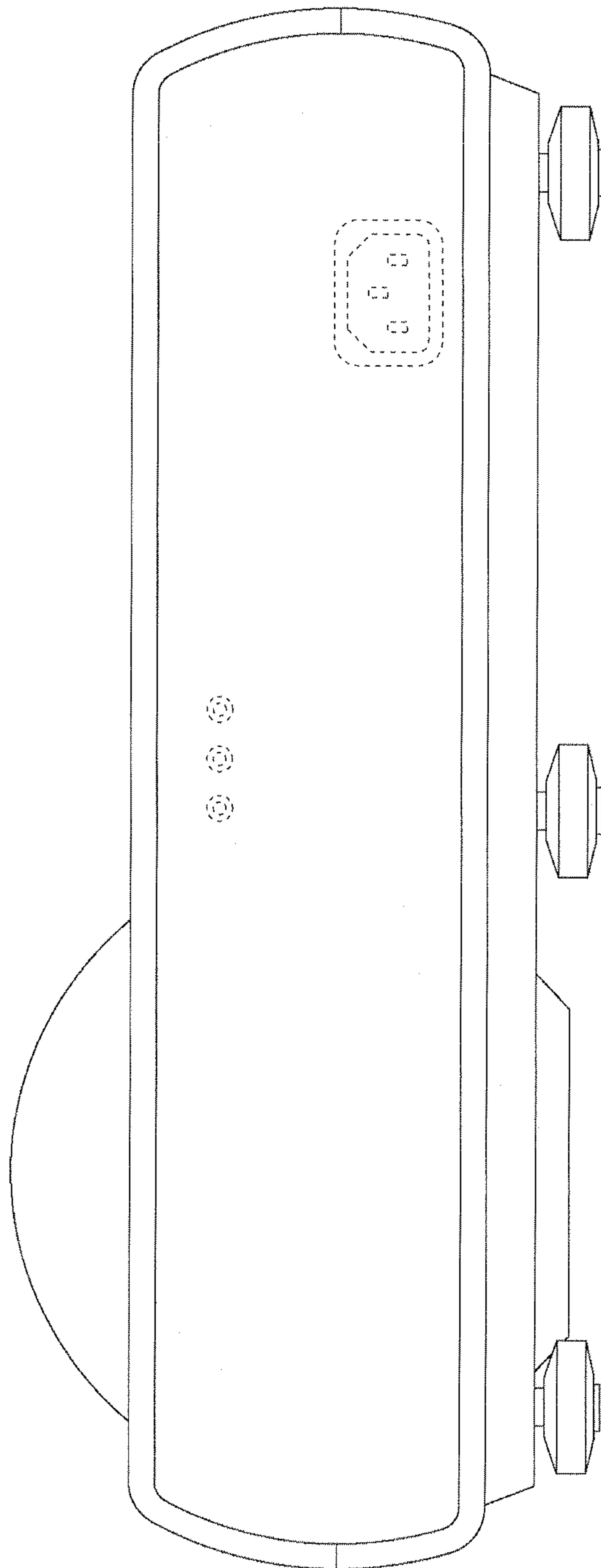


FIG. 3

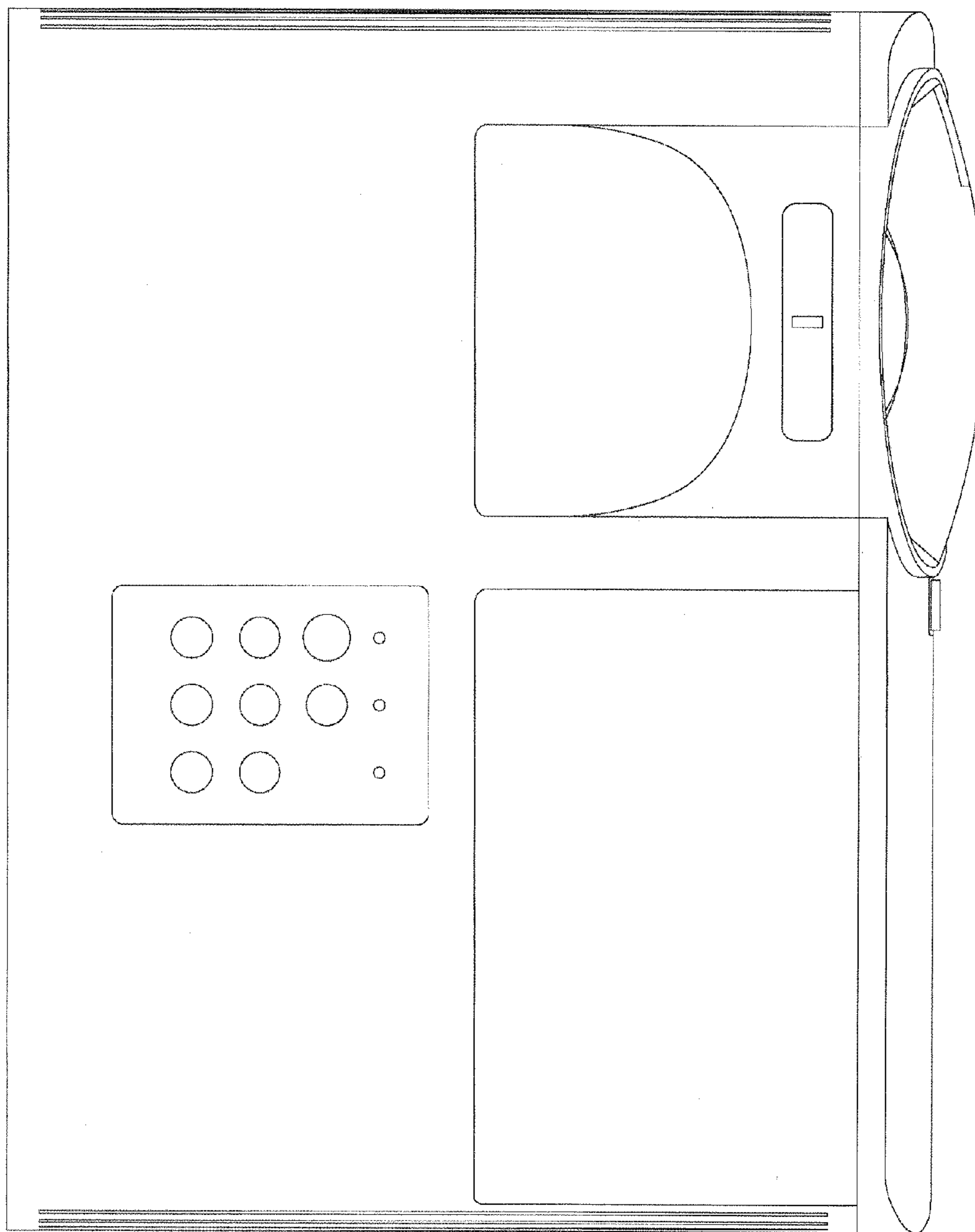


FIG. 4

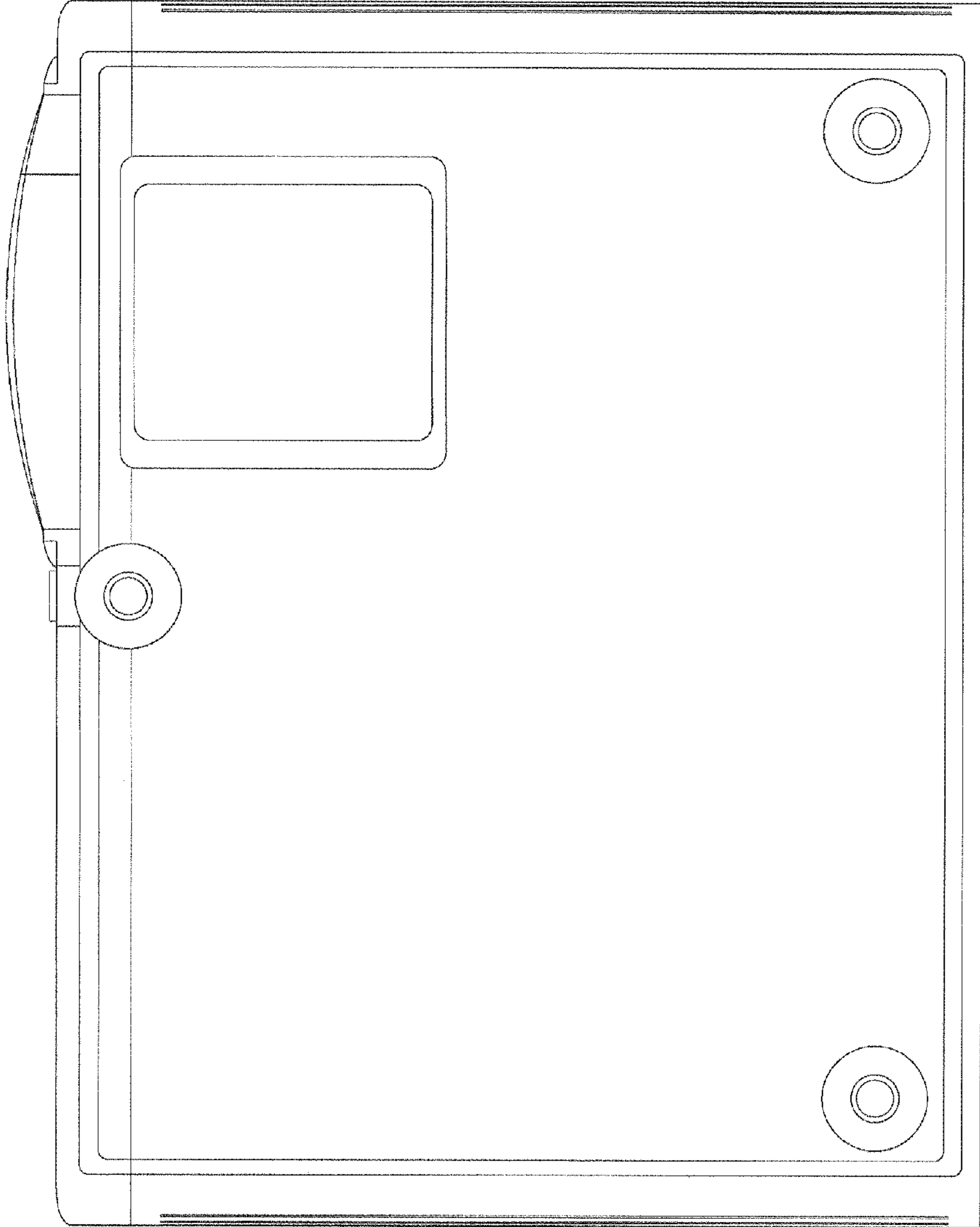


FIG. 5

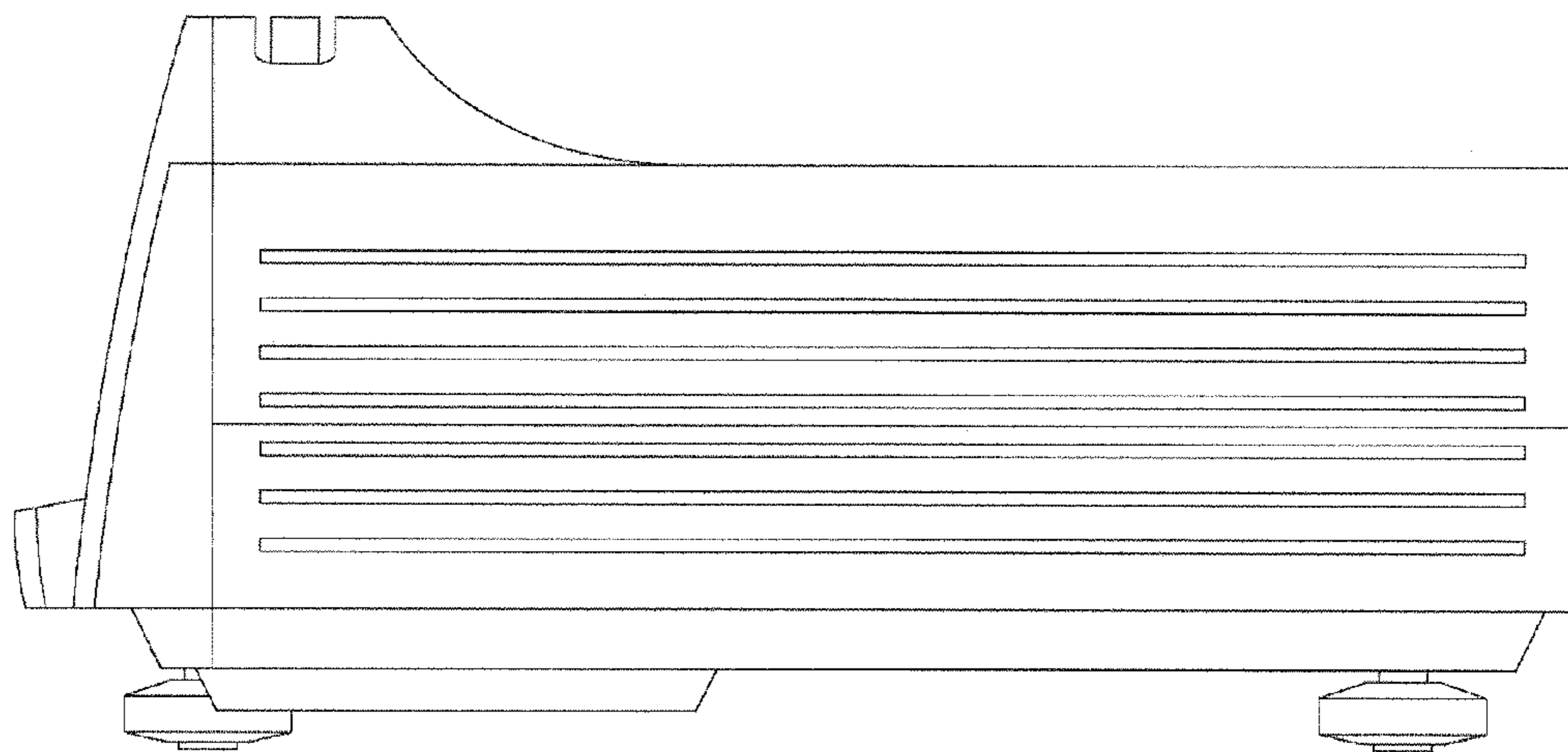


FIG. 6

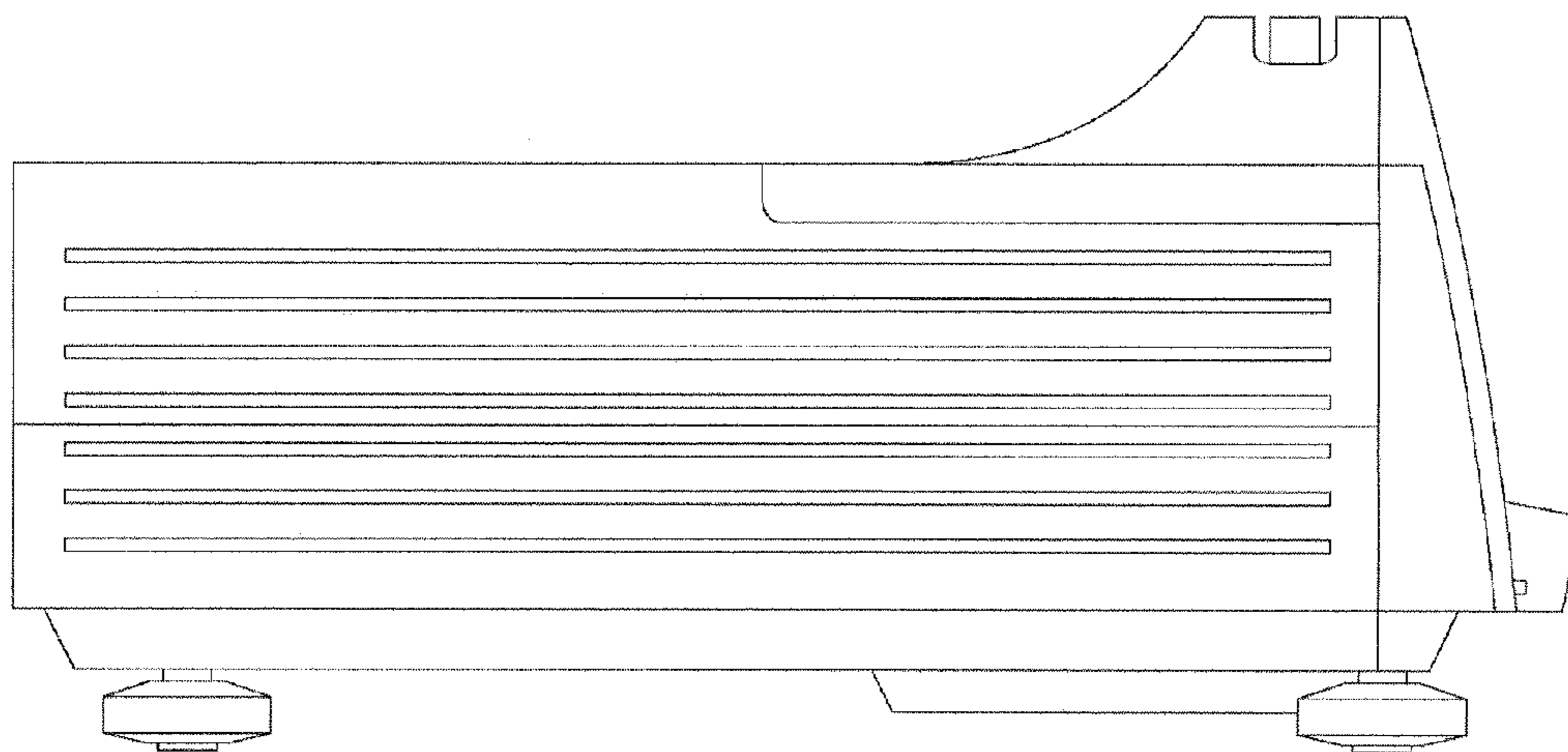


FIG. 7

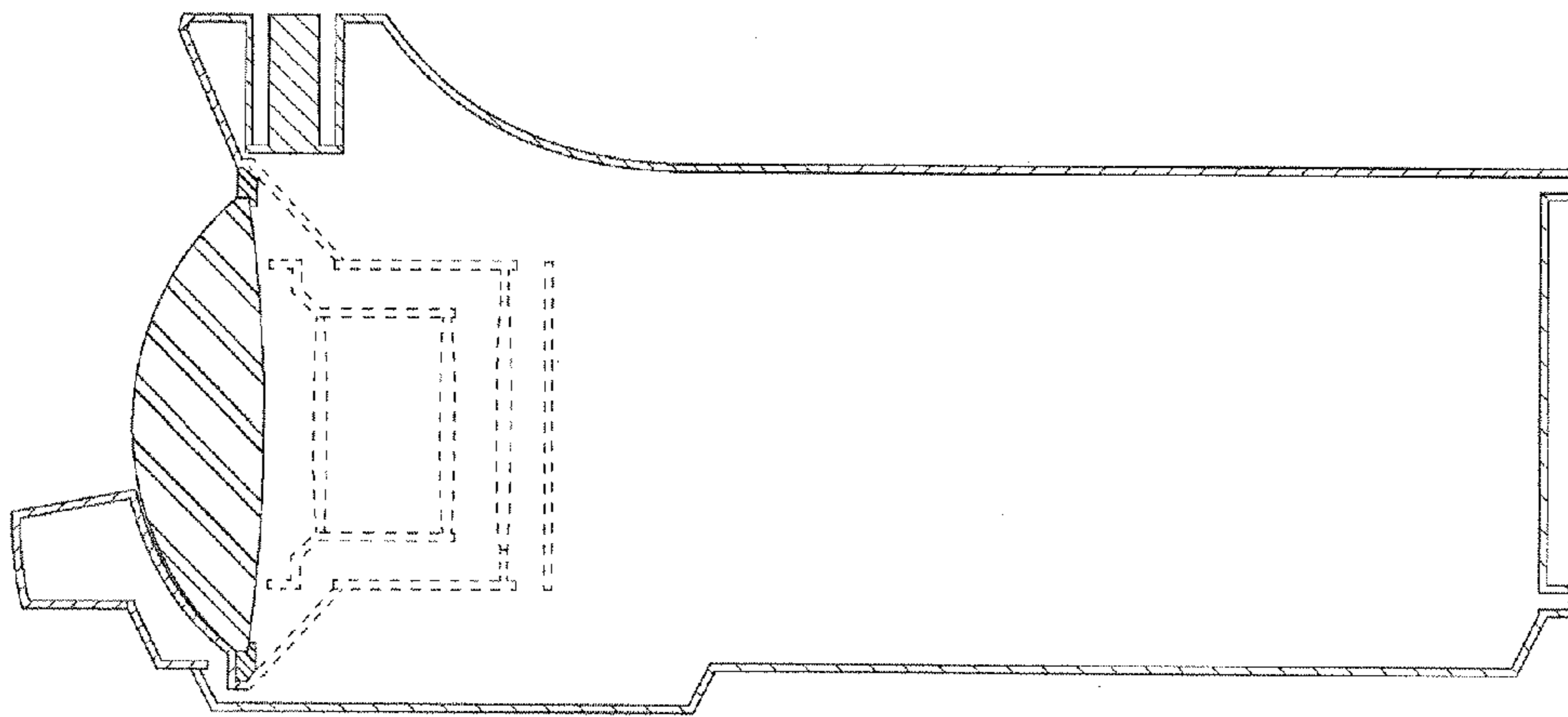


FIG. 8