



US00D711452S

(12) **United States Design Patent**
Song et al.

(10) **Patent No.:** **US D711,452 S**

(45) **Date of Patent:** **** Aug. 19, 2014**

(54) **PROJECTOR**

(71) Applicant: **NEC Viewtechnology Trading (Shenzhen), Ltd.**, Shenzhen (CN)

(72) Inventors: **Qing Song**, Hangzhou (CN); **Gangqiang Cai**, Hangzhou (CN); **Junsi Lee**, Hangzhou (CN); **Xiaohua Xu**, Hangzhou (CN)

(73) Assignee: **NEC Viewtechnology Trading (Shenzhen), Ltd.**, Guangdong Province (CN)

(**) Term: **14 Years**

(21) Appl. No.: **29/439,670**

(22) Filed: **Dec. 13, 2012**

(30) **Foreign Application Priority Data**

Jun. 15, 2012 (CN) 2012 3 0252260

(51) **LOC (10) Cl.** **16-02**

(52) **U.S. Cl.**
USPC **D16/230; D16/225**

(58) **Field of Classification Search**
USPC D16/221, 225, 230–231, 234; D21/514;
353/115, 119, 122

See application file for complete search history.

(56) **References Cited**

U.S. PATENT DOCUMENTS

D472,570 S *	4/2003	Takahashi	D16/230
D472,571 S *	4/2003	Williams et al.	D16/230
6,616,282 B2 *	9/2003	Ozawa	353/119
D480,410 S *	10/2003	Morishita et al.	D16/230
D513,515 S *	1/2006	Ooshima et al.	D16/230

(Continued)

OTHER PUBLICATIONS

Japanese Office Action in corresponding Japanese Application No. 2012-030604 (C20-0001-1) dated Aug. 30, 2013.

(Continued)

Primary Examiner — Wan Laymon

(74) *Attorney, Agent, or Firm* — Sughrue Mion, PLLC

(57) **CLAIM**

The ornamental design for a projector, as shown and described.

DESCRIPTION

FIG. 1 is a right-front perspective view of a first embodiment of a projector showing our design;

FIG. 2 is a top view thereof;

FIG. 3 is a front view thereof;

FIG. 4 is a right view thereof;

FIG. 5 is a left view thereof;

FIG. 6 is a bottom view thereof;

FIG. 7 is a left-front perspective view thereof;

FIG. 8 is a rear view thereof;

FIG. 9 is a left-rear perspective view thereof;

FIG. 10 is a right-rear perspective view thereof;

FIG. 11 is a top view of a second embodiment of our design;

FIG. 12 is a front view thereof;

FIG. 13 is a right view thereof;

FIG. 14 is a left view thereof;

FIG. 15 is a bottom view thereof;

FIG. 16 is a rear view thereof;

FIG. 17 is a left-rear perspective view thereof;

FIG. 18 is a right-rear perspective view thereof;

FIG. 19 is a top view of a third embodiment of our invention;

FIG. 20 is a front view thereof;

FIG. 21 is a right view thereof;

FIG. 22 is a left view thereof;

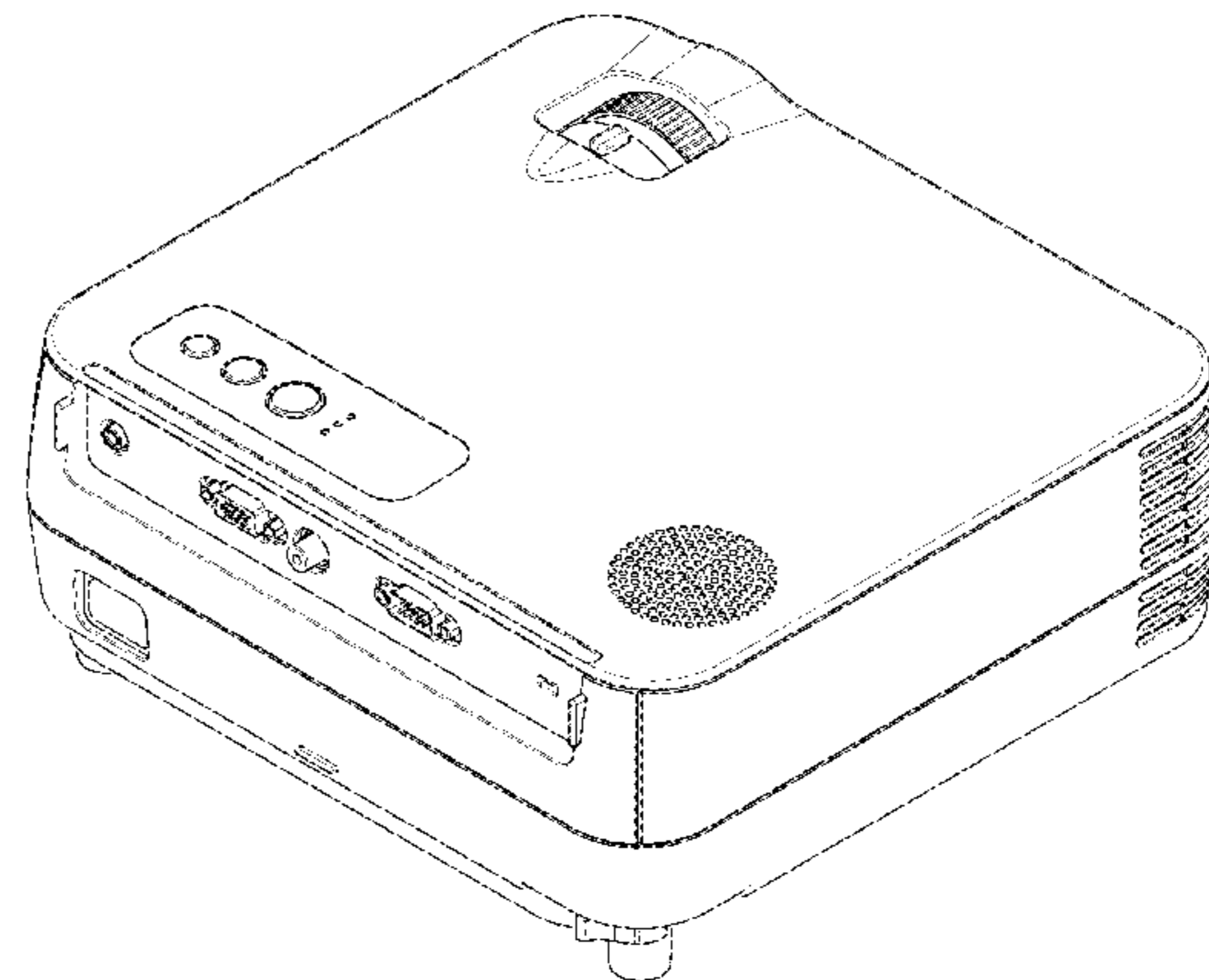
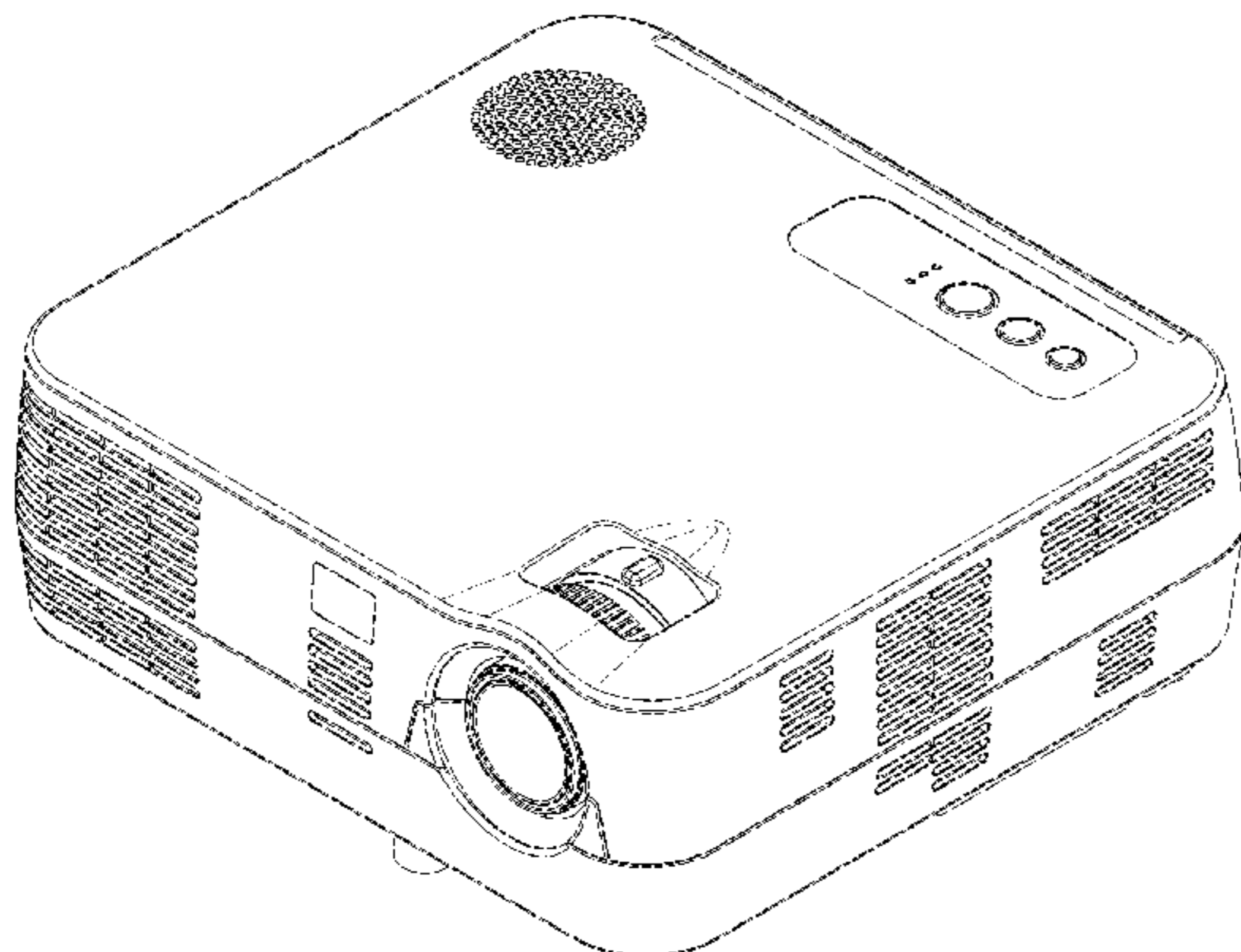
FIG. 23 is a bottom view thereof;

FIG. 24 is a rear view thereof;

FIG. 25 is a left-rear perspective view thereof; and,

FIG. 26 is a right-rear perspective view thereof.

1 Claim, 20 Drawing Sheets



(56)

References Cited

OTHER PUBLICATIONS

U.S. PATENT DOCUMENTS

D555,185 S * 11/2007 Nozue et al. D16/230
D575,811 S * 8/2008 Ohki et al. D16/230
D627,387 S * 11/2010 Kawaguchi et al. D16/230
D647,121 S * 10/2011 Kawabe et al. D16/230
D663,346 S * 7/2012 Fujikawa et al. D16/230
D683,782 S * 6/2013 Ishibashi et al. D16/230

Japanese Office Action in corresponding Japanese Application No.
2012-030613 (C20-0001-2) dated Aug. 30, 2013.

Japanese Office Action in corresponding Japanese Application No.
2012-030614 (C20-0001-3) dated Aug. 30, 2013.

* cited by examiner

FIG. 1

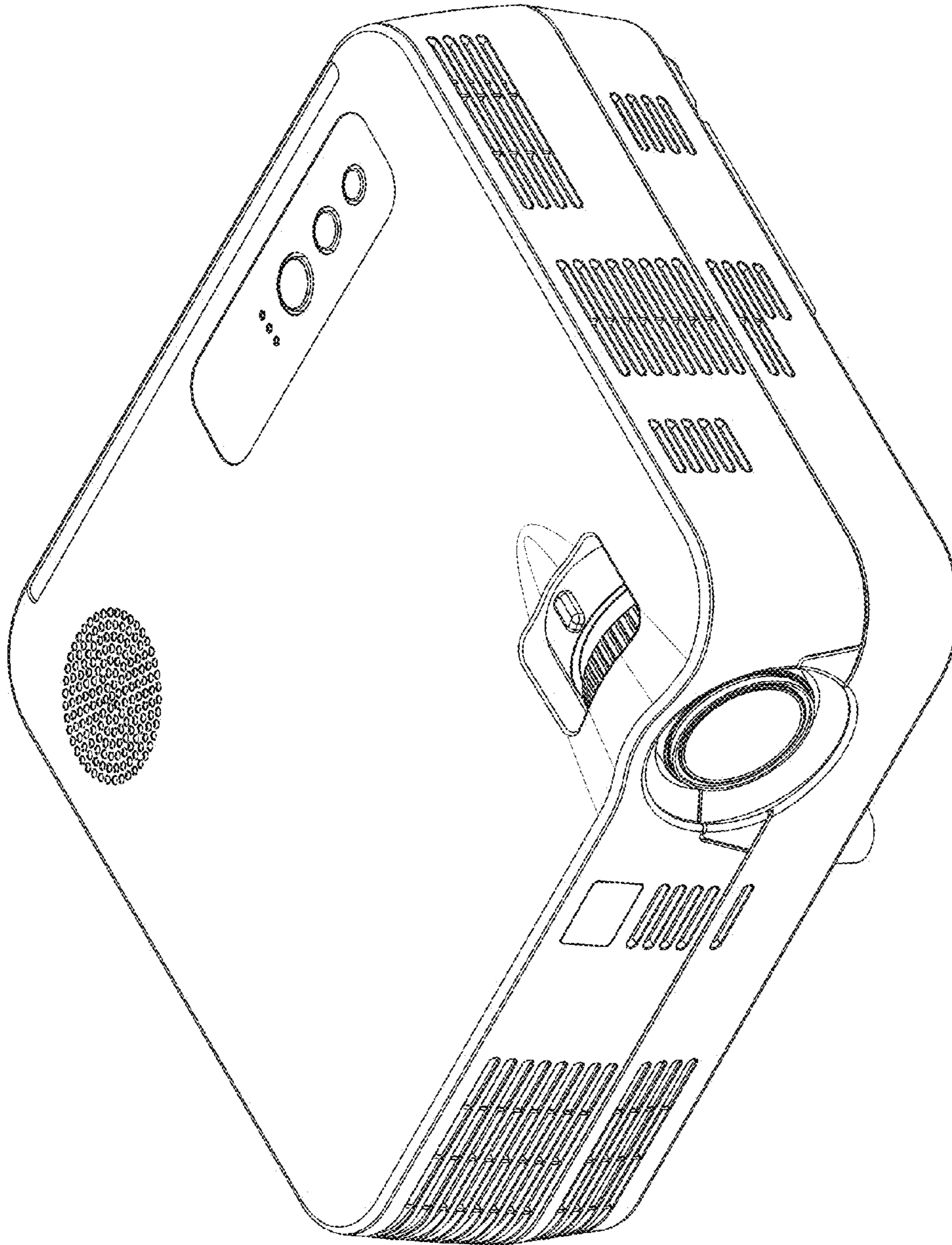


FIG. 2

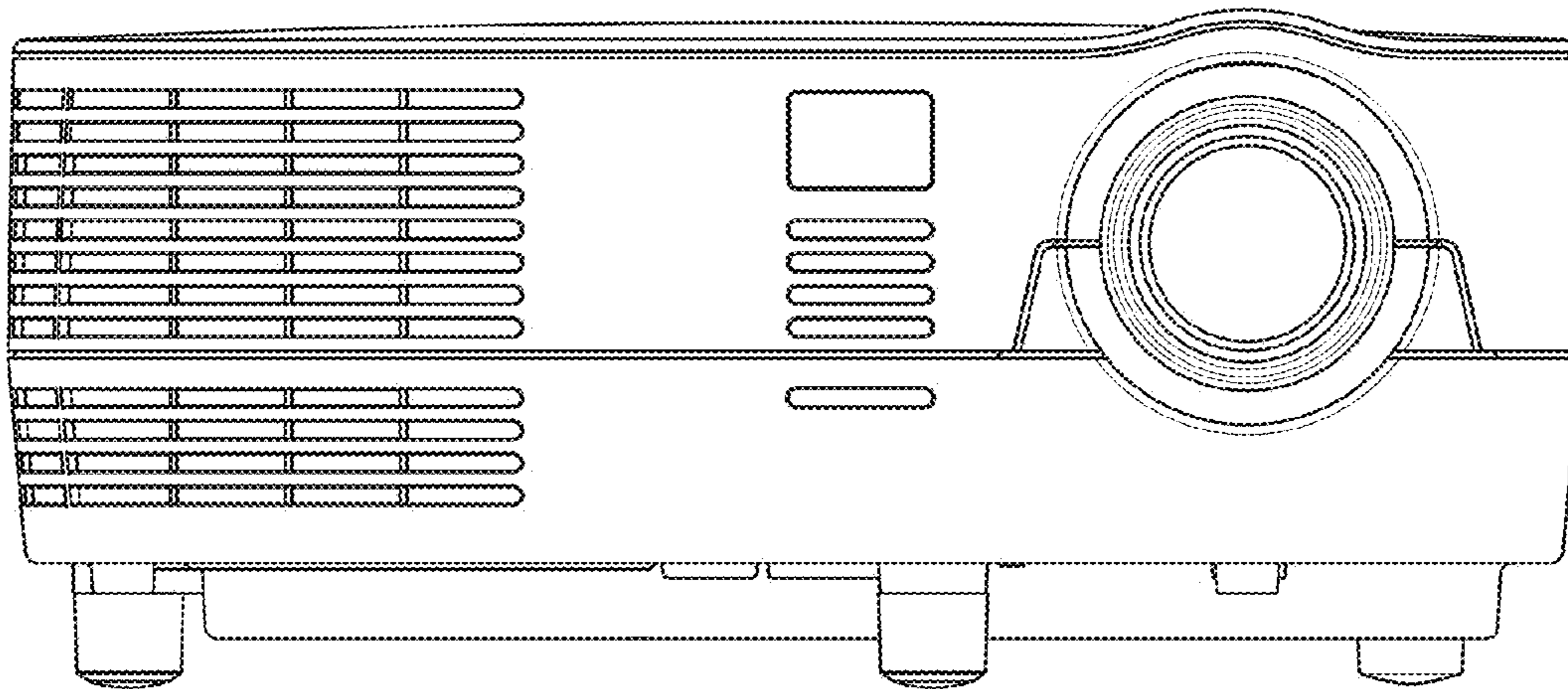
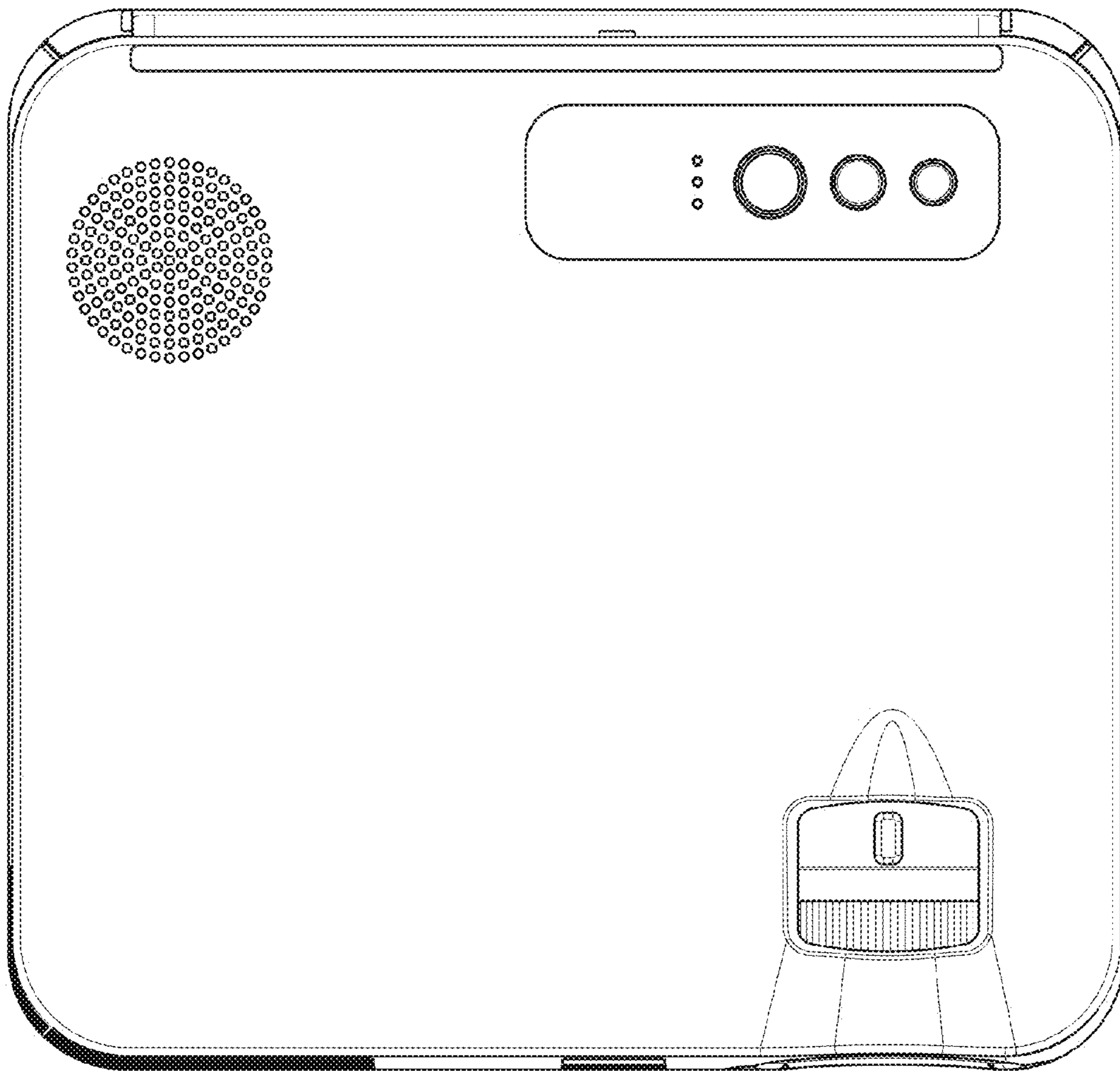


FIG. 3

FIG. 4

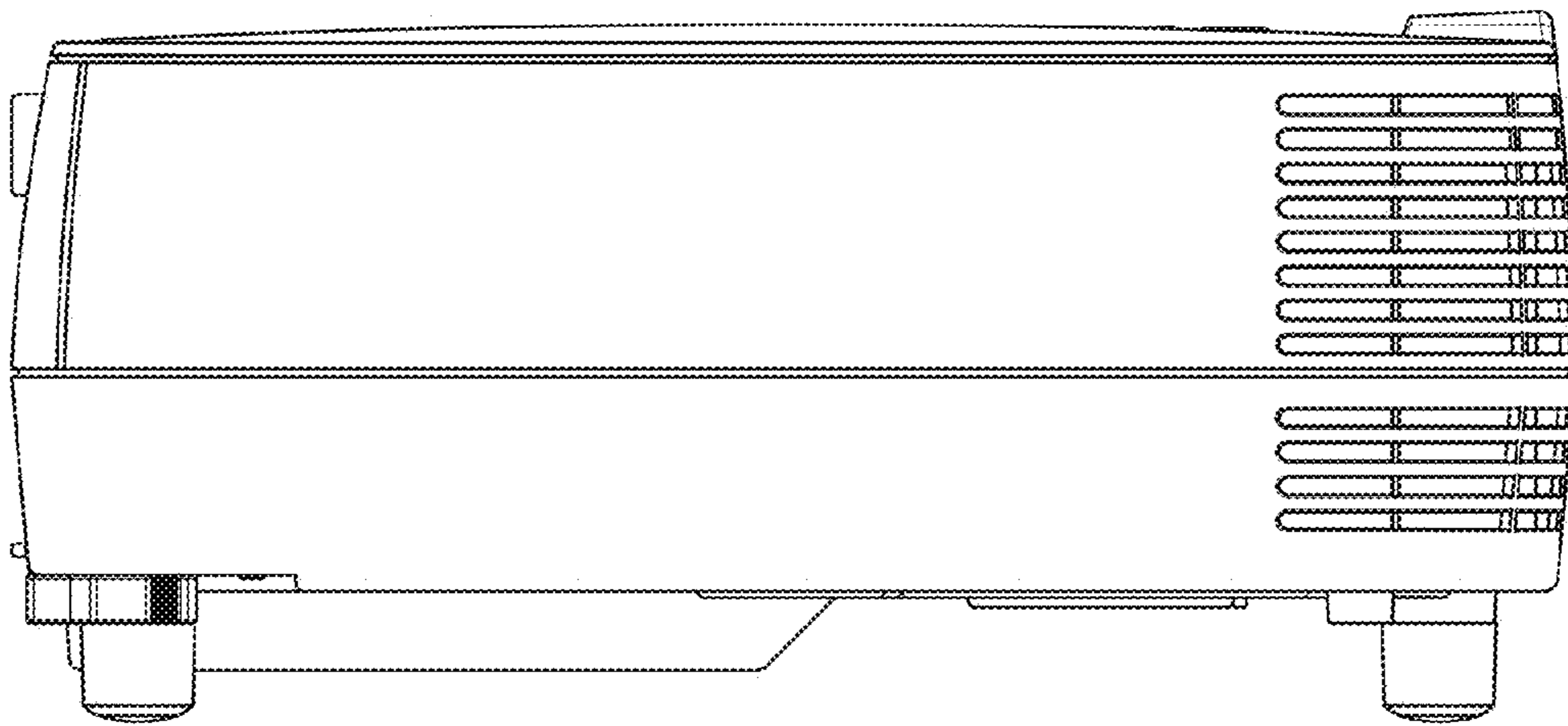
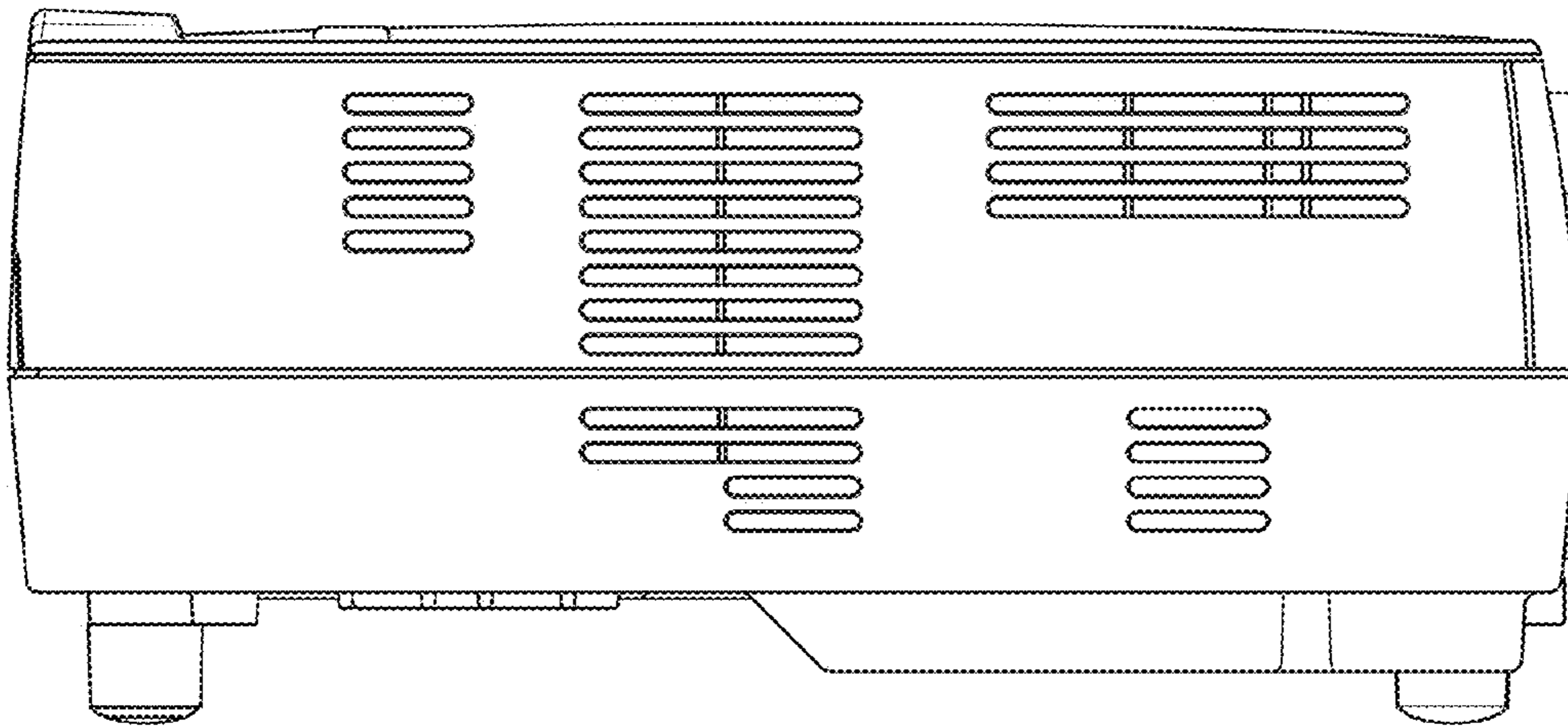


FIG. 5

FIG. 6

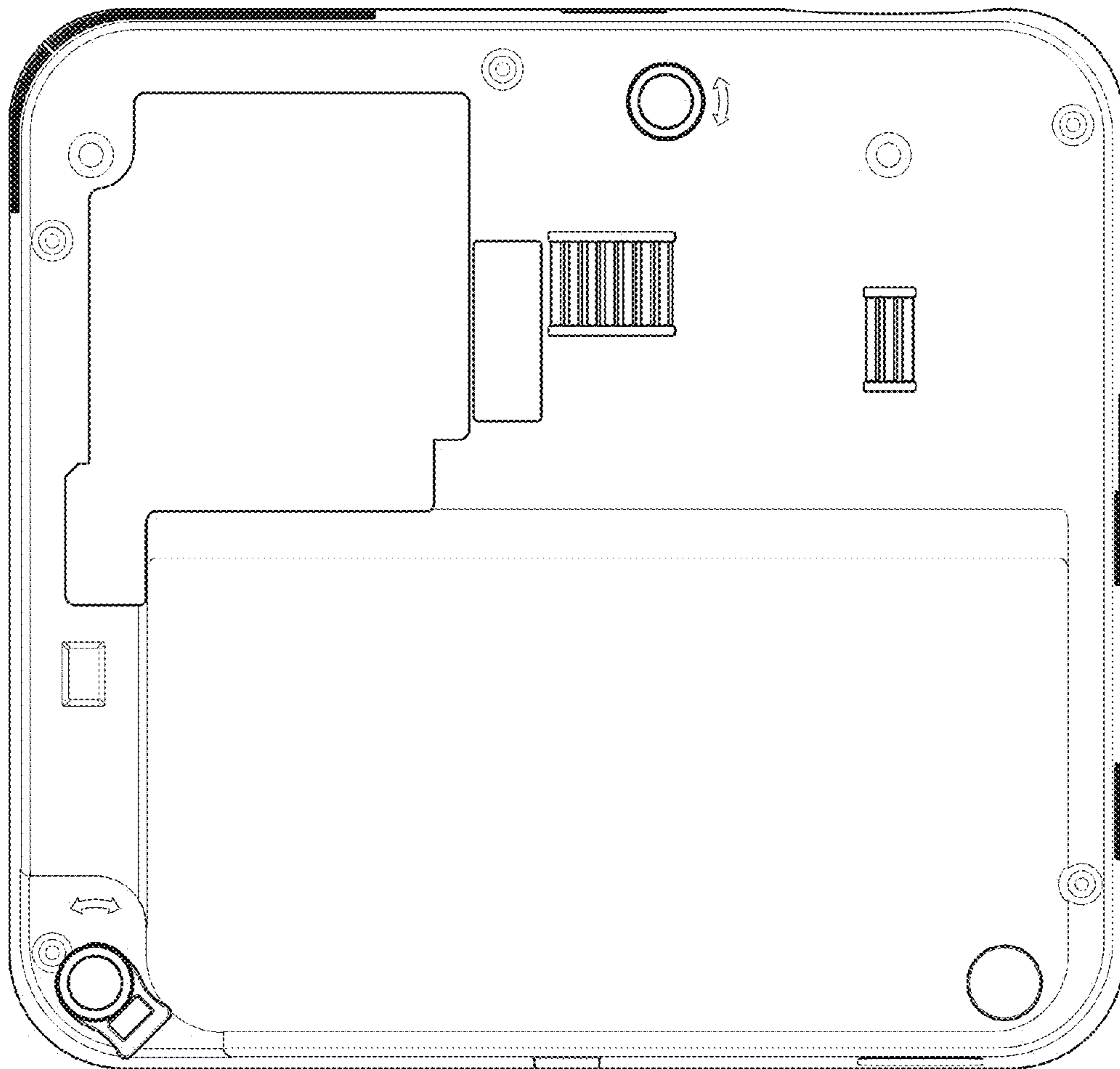


FIG. 7

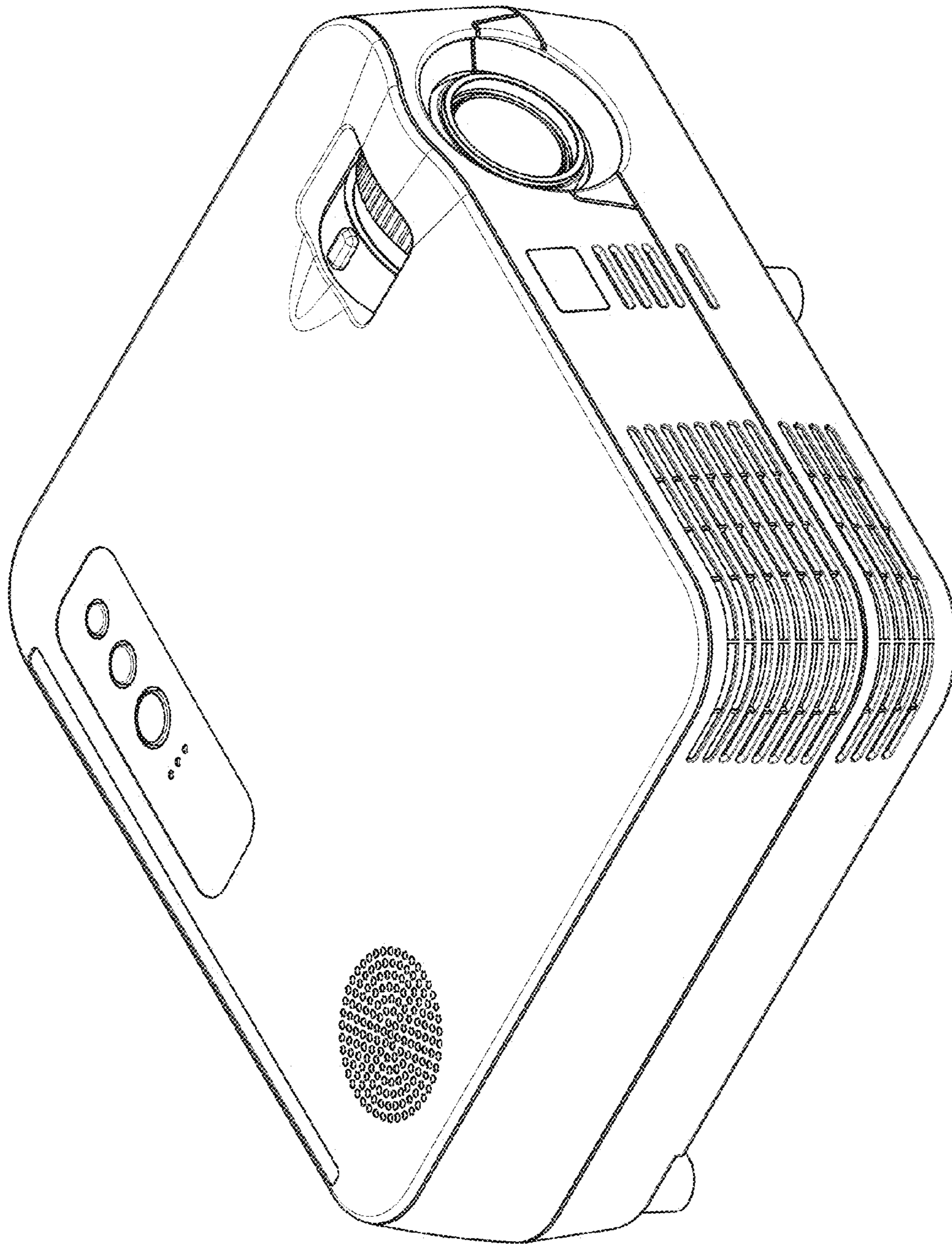


FIG. 8

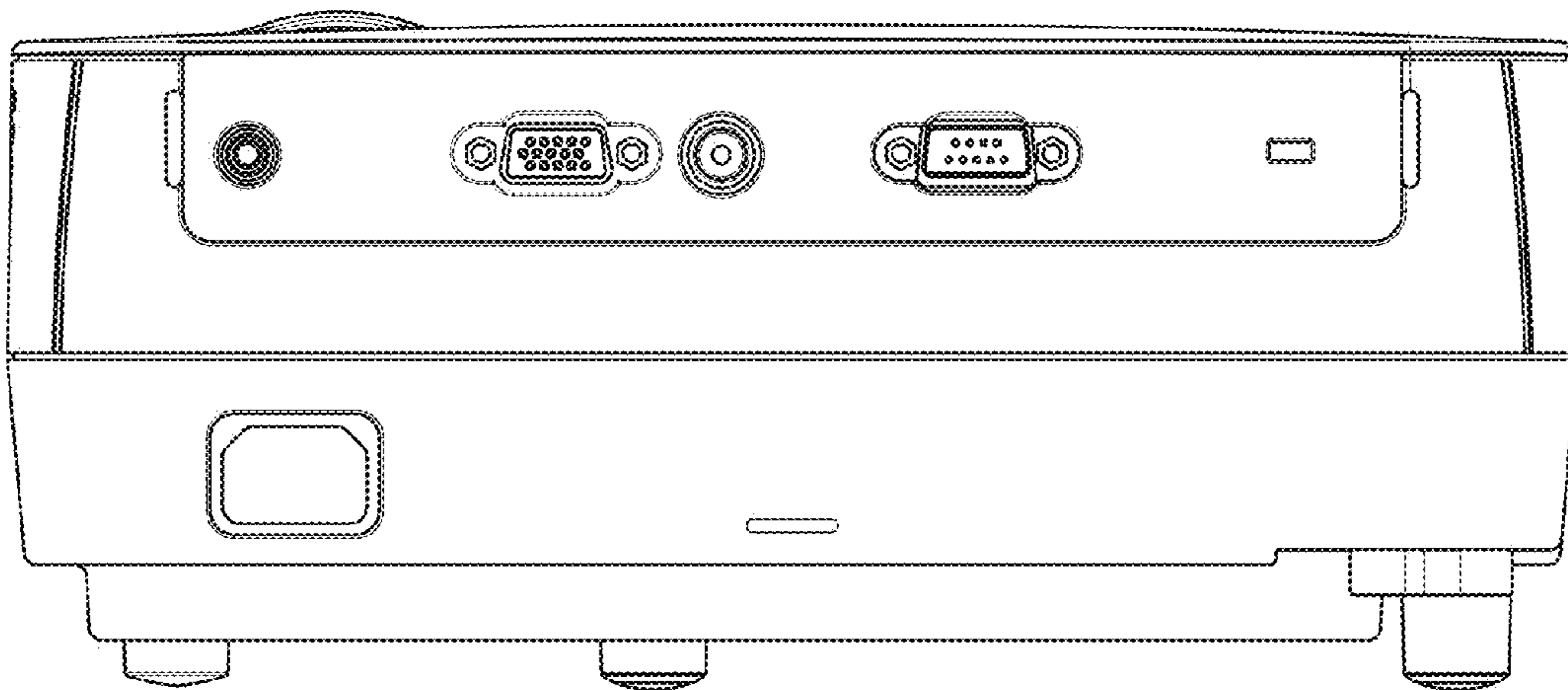


FIG. 9

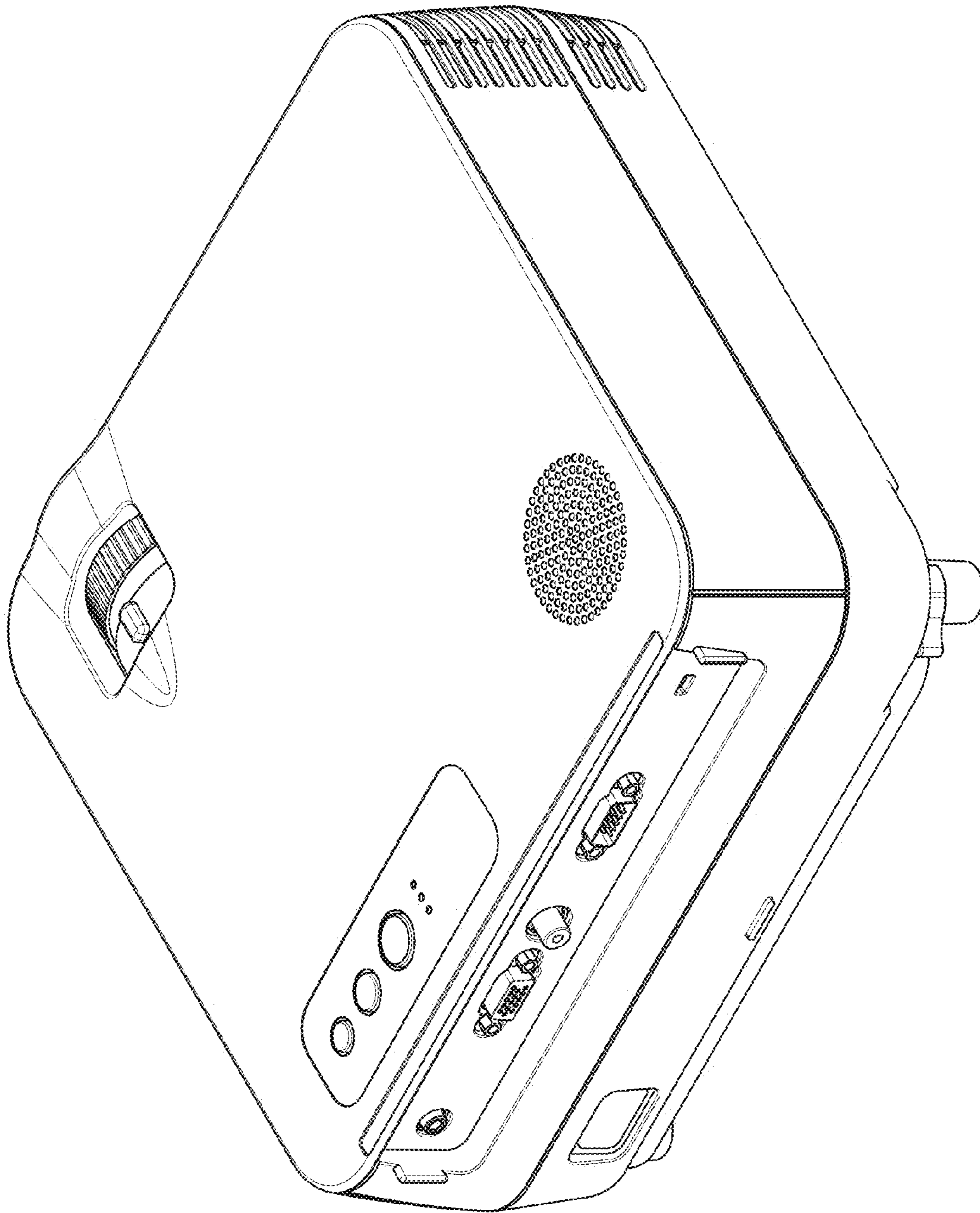


FIG. 10

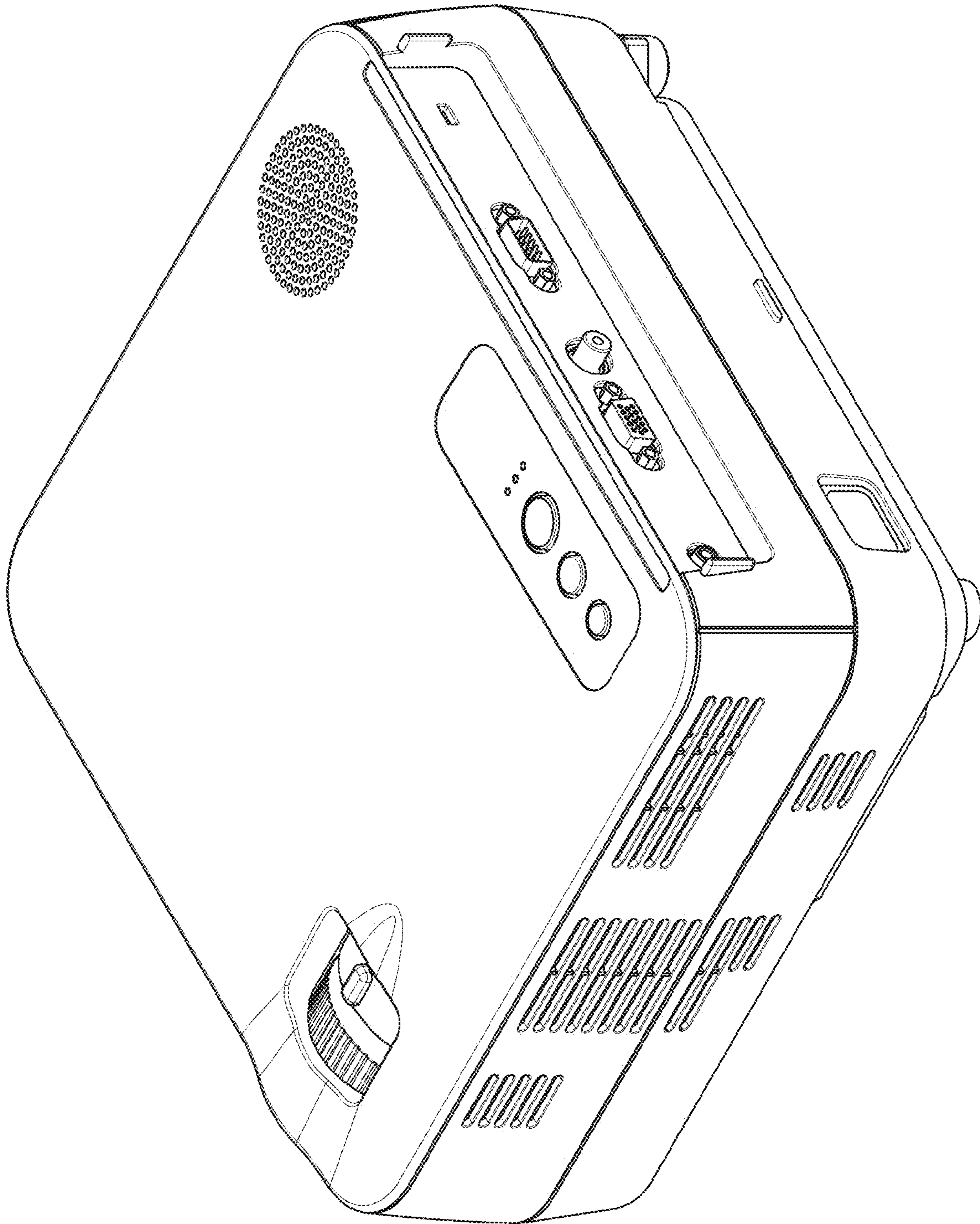


FIG. 11

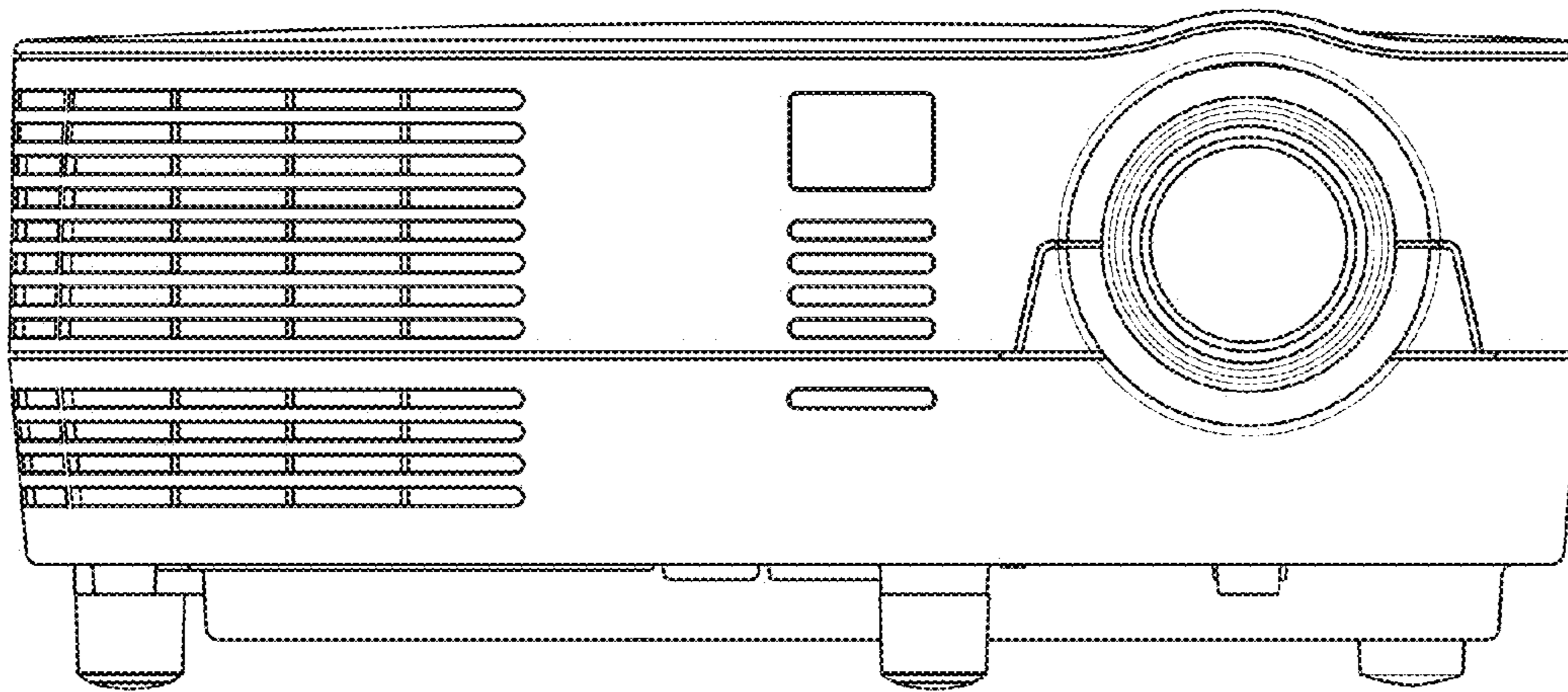
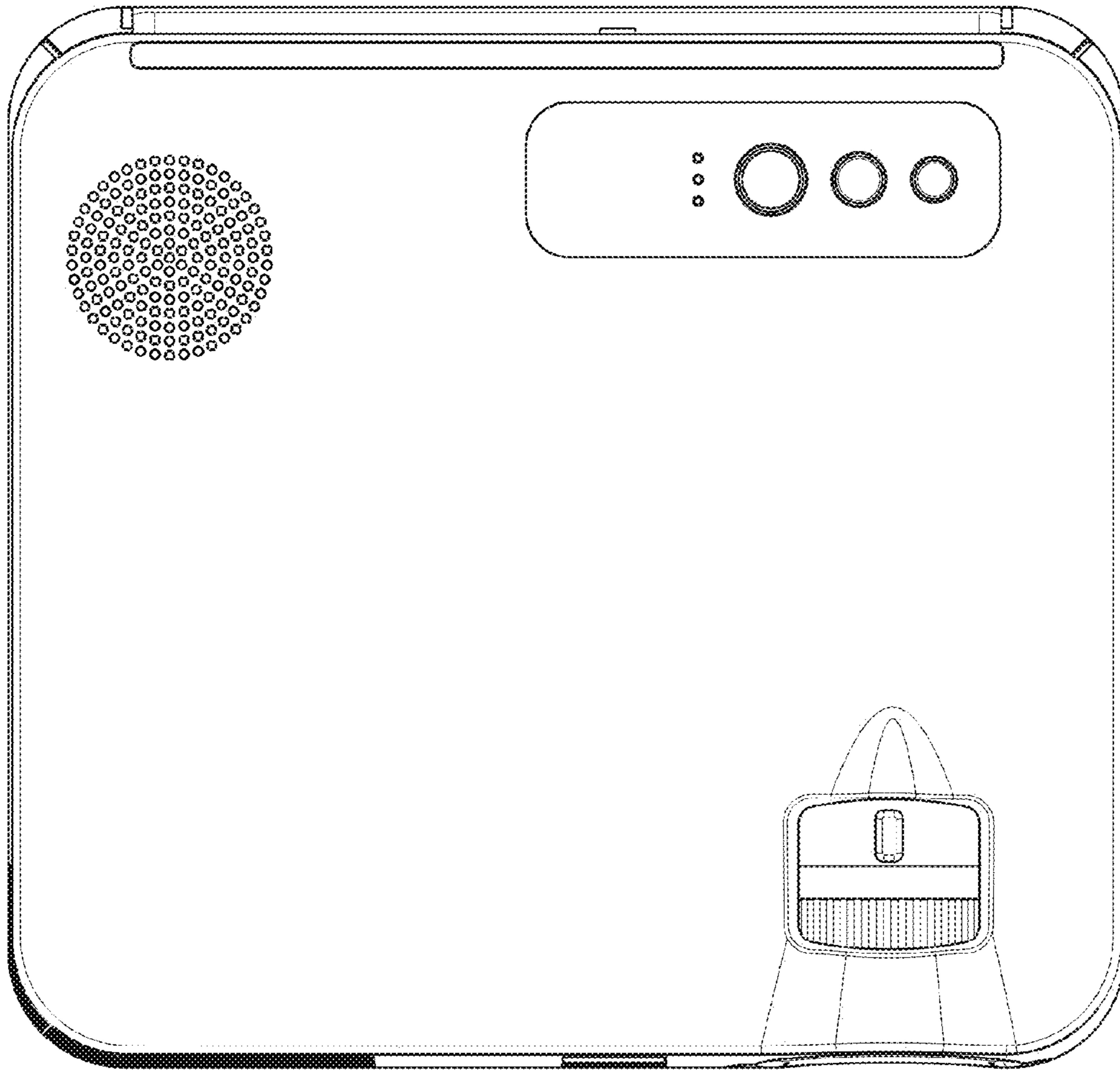


FIG. 12

FIG. 13

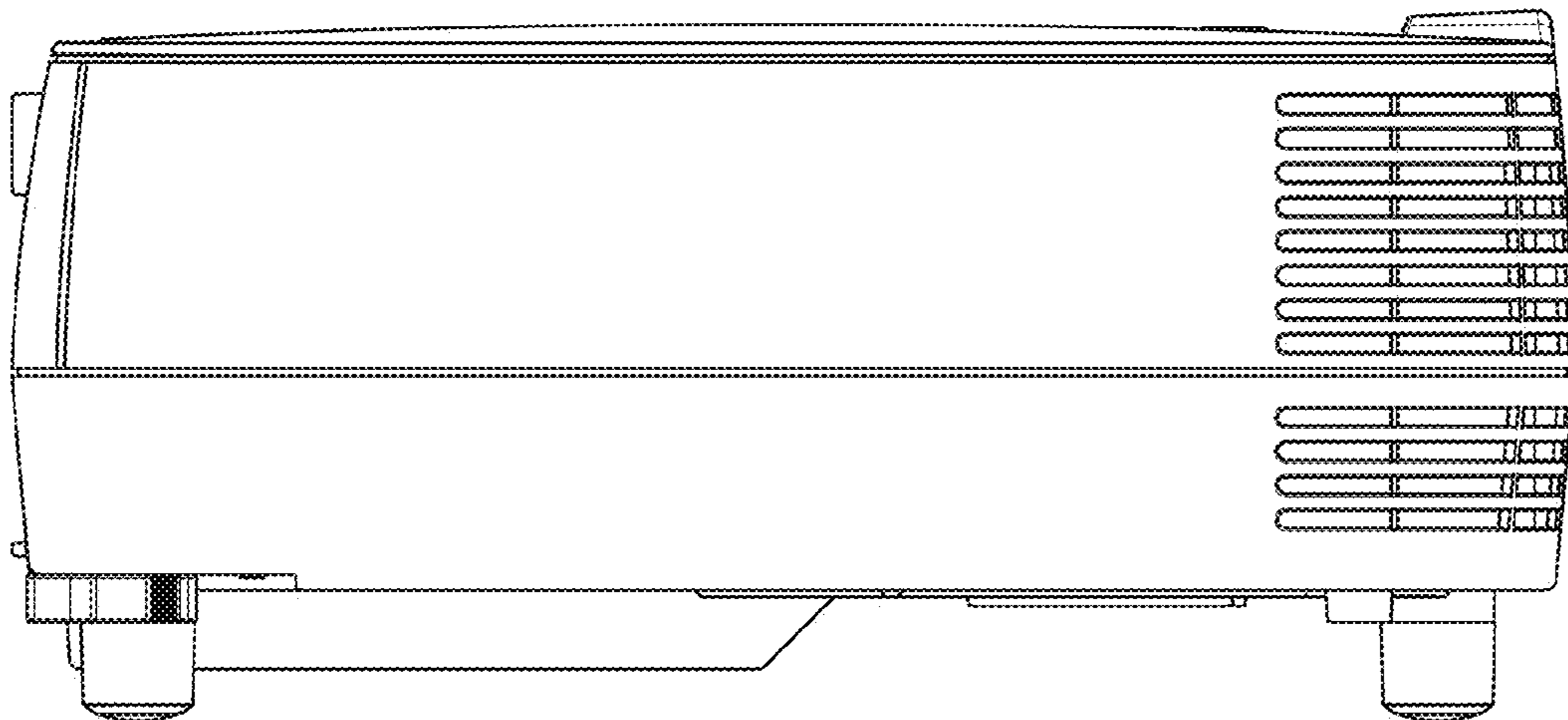
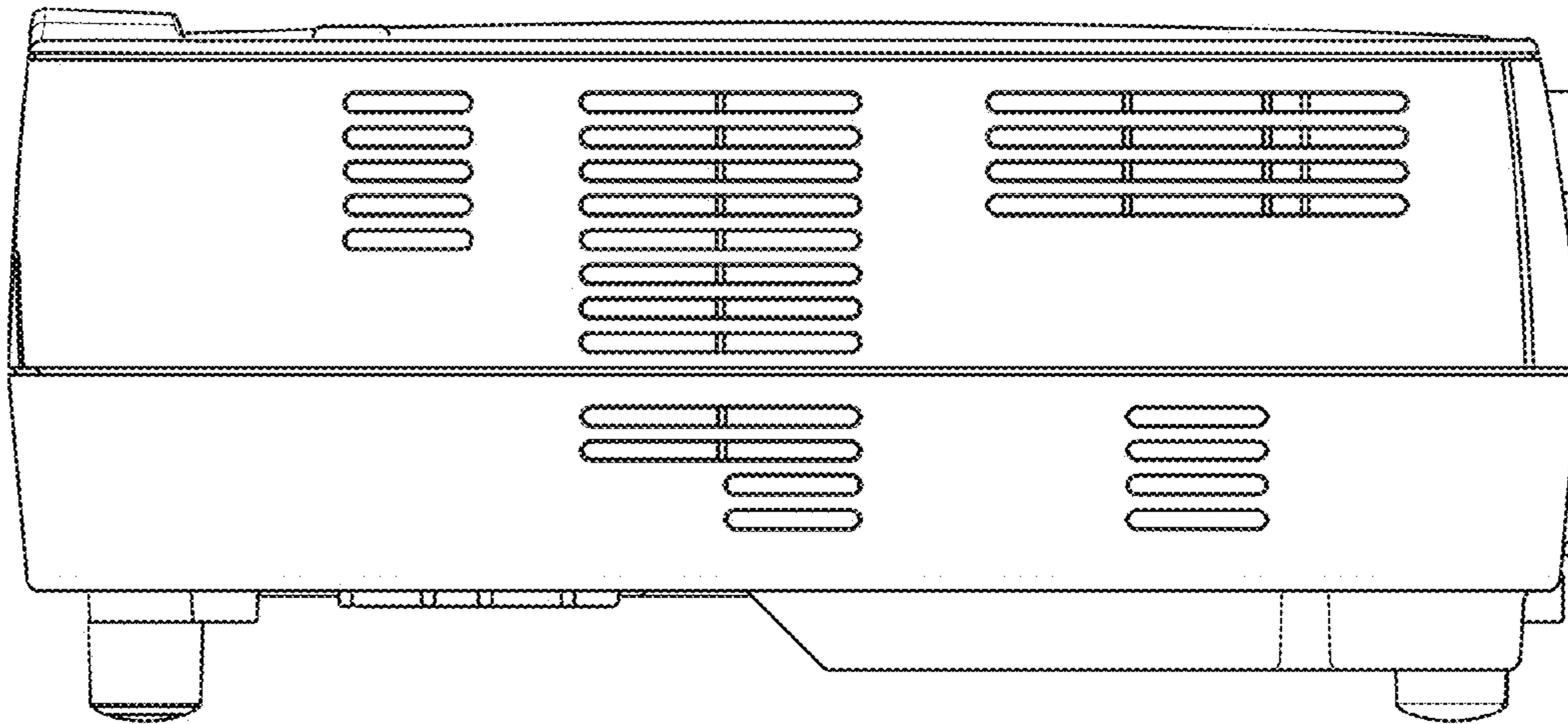


FIG. 14

FIG. 15

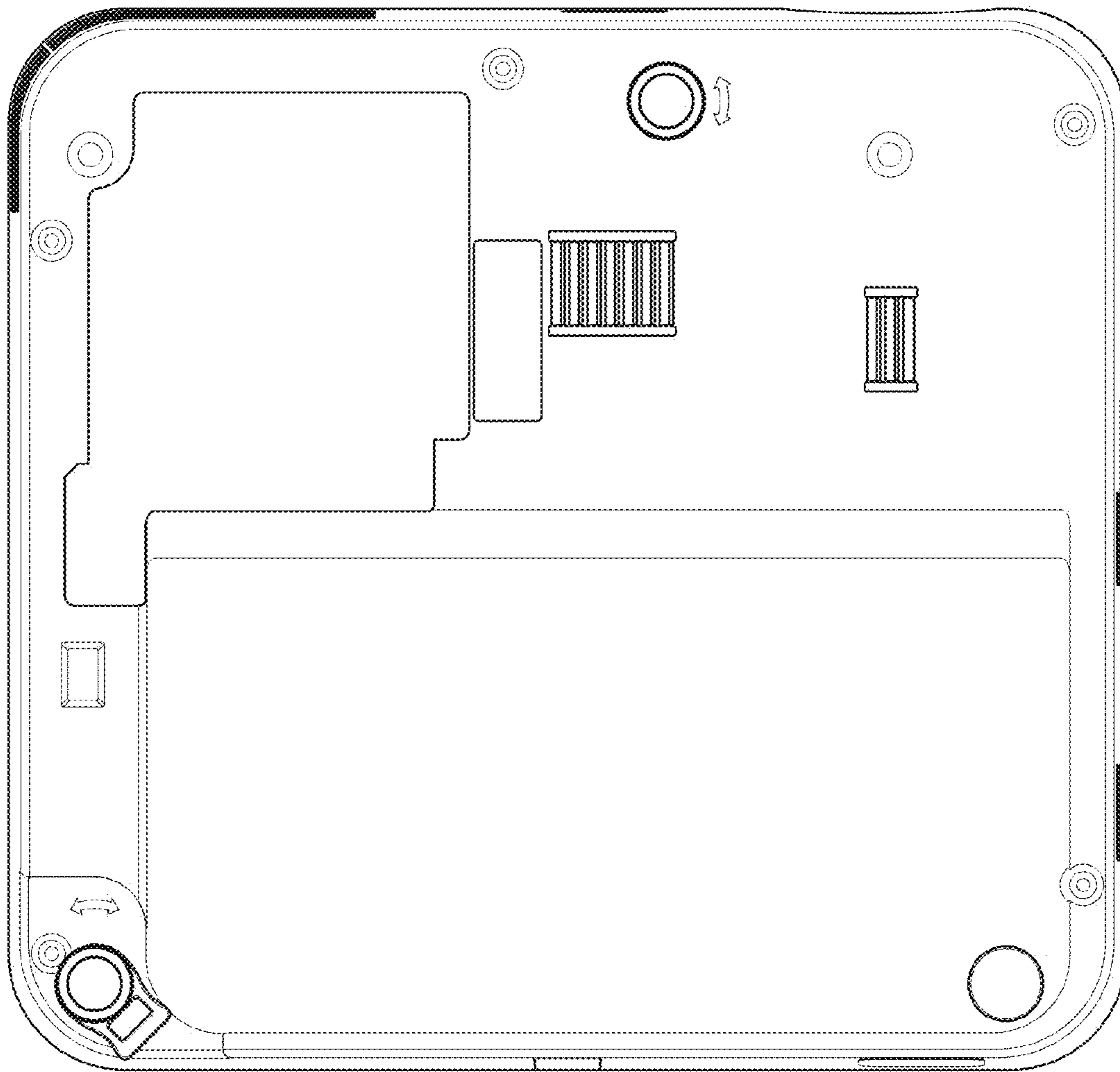


FIG. 16

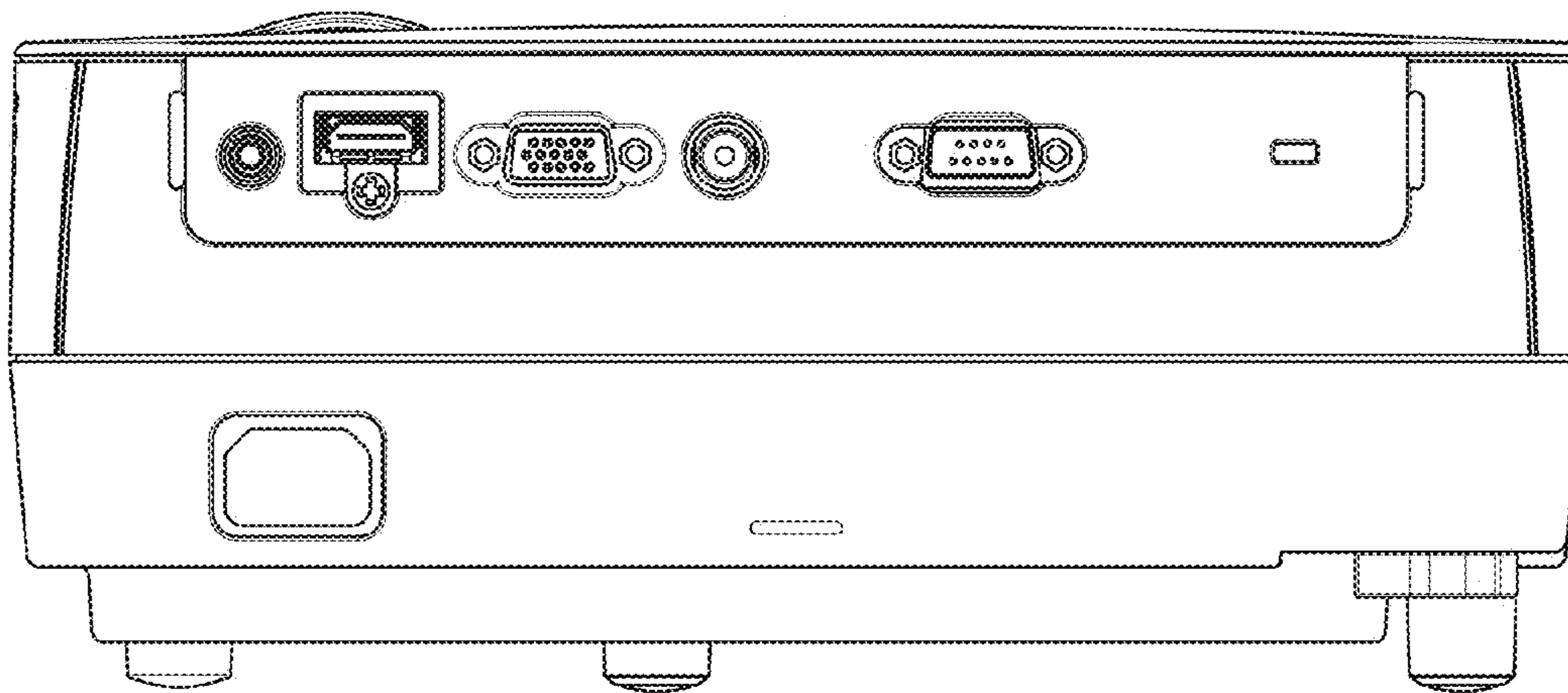


FIG. 17

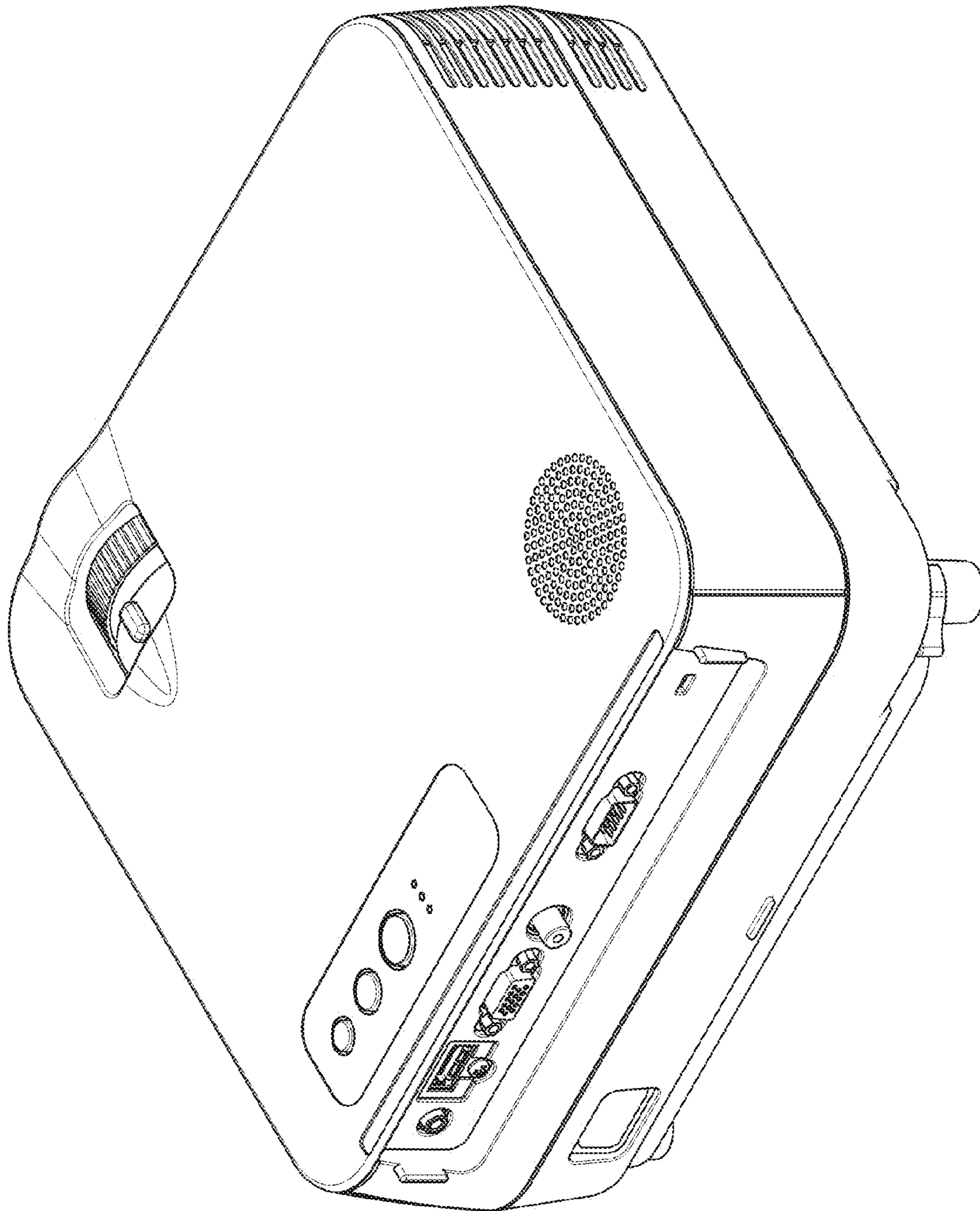


FIG. 18

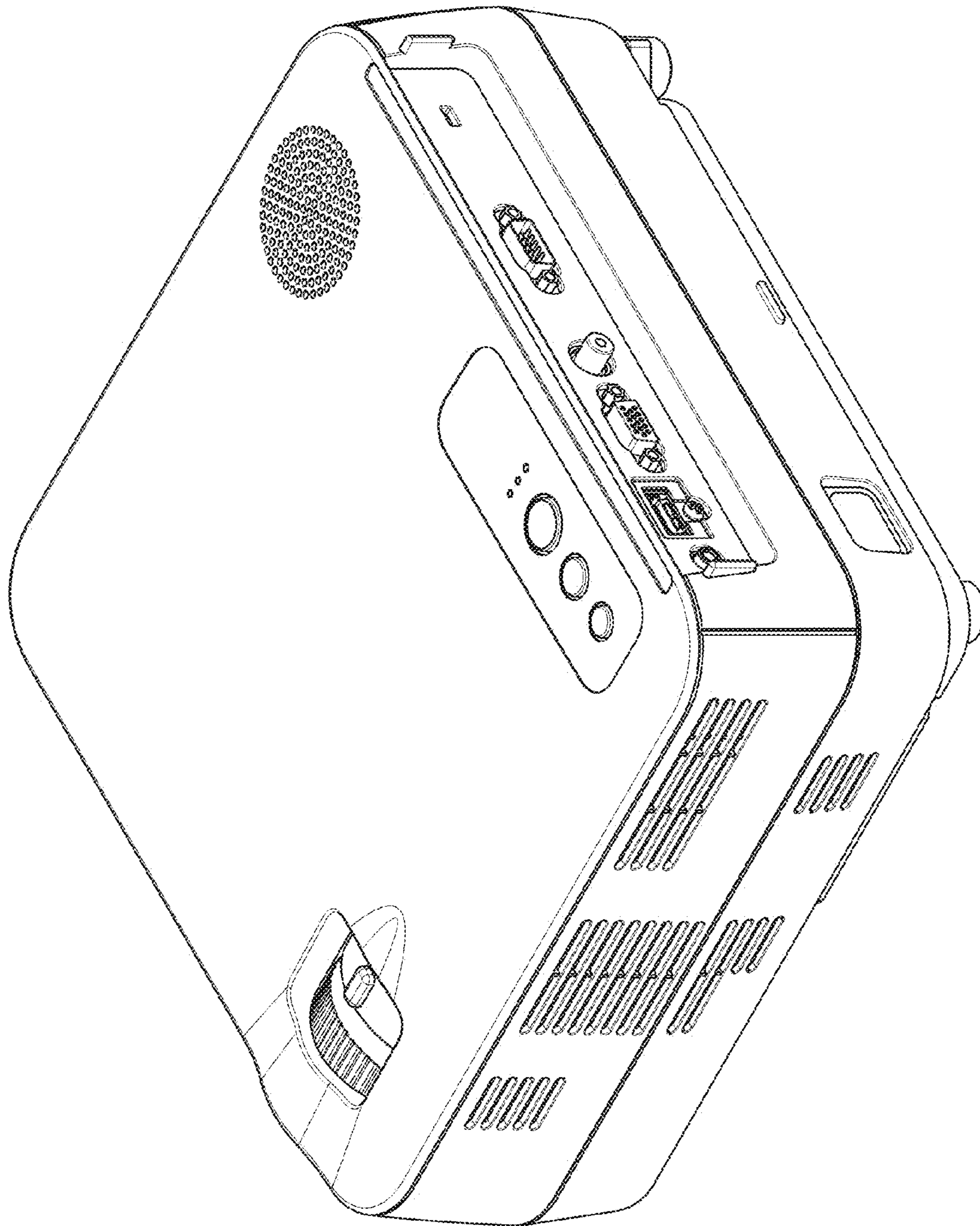


FIG. 19

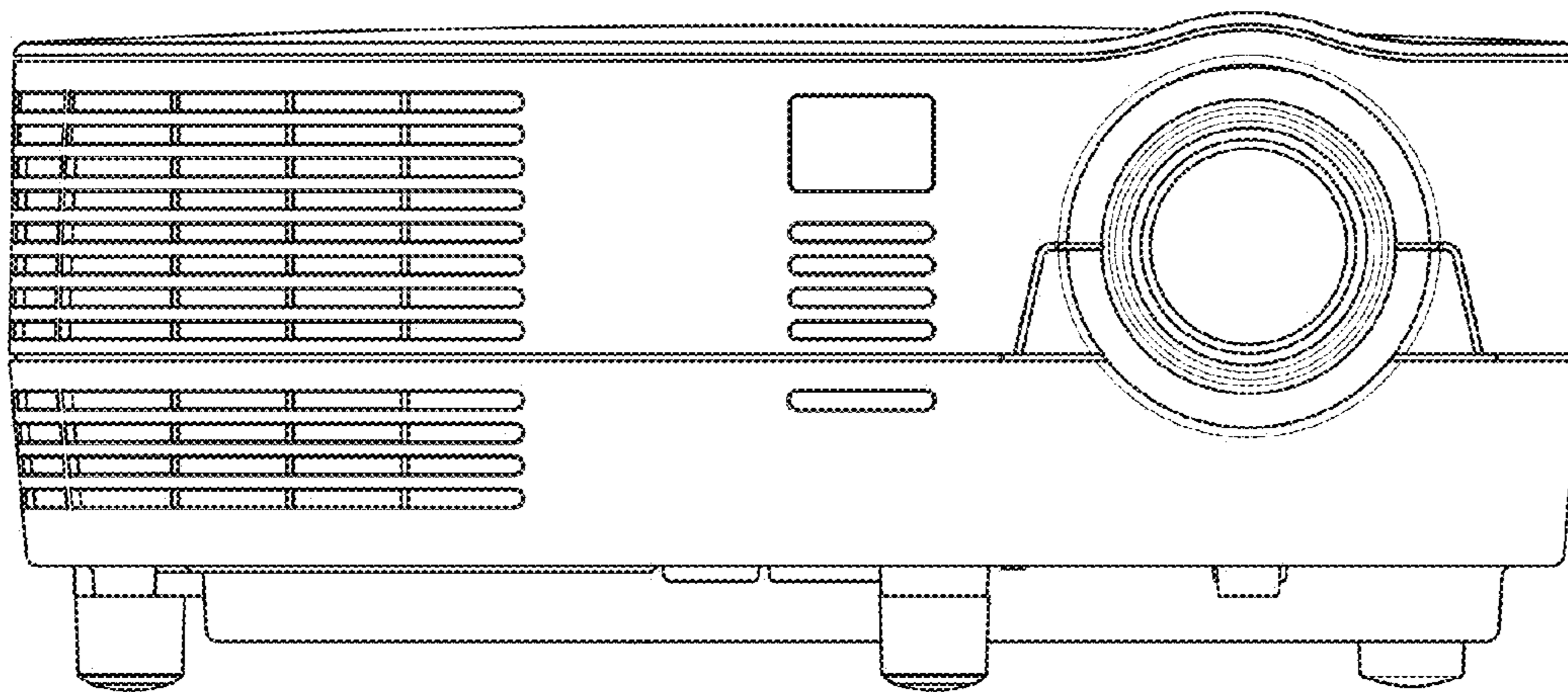
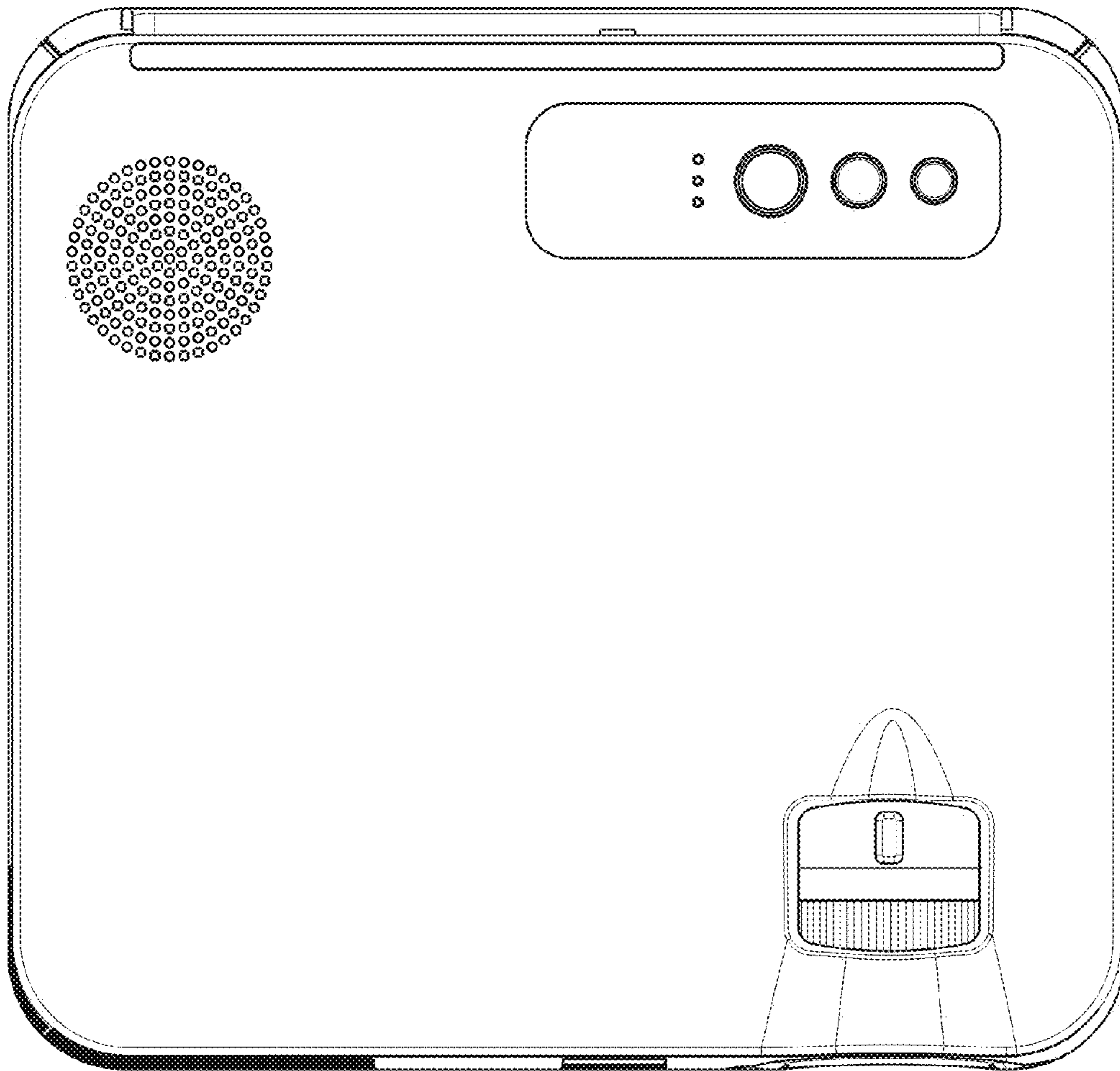


FIG. 20

FIG. 21

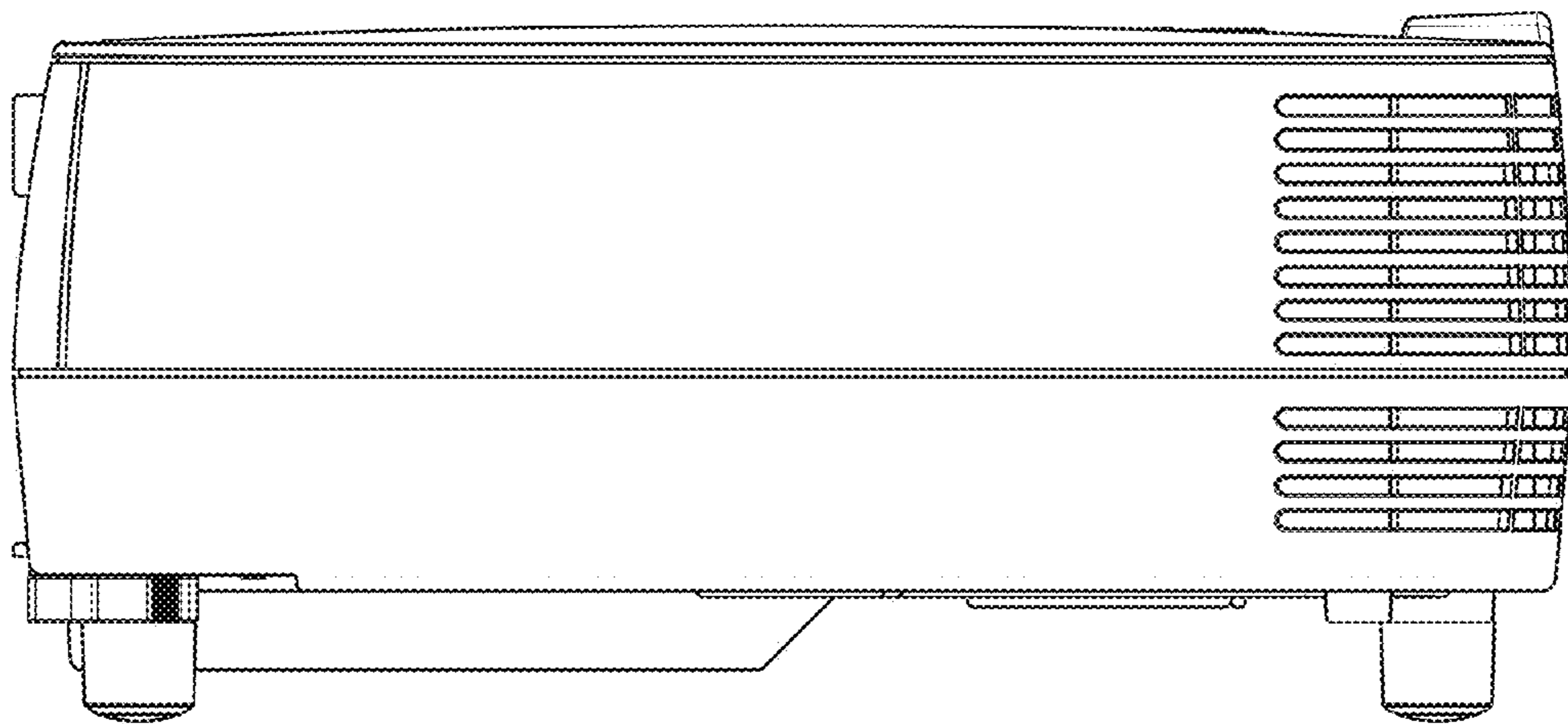
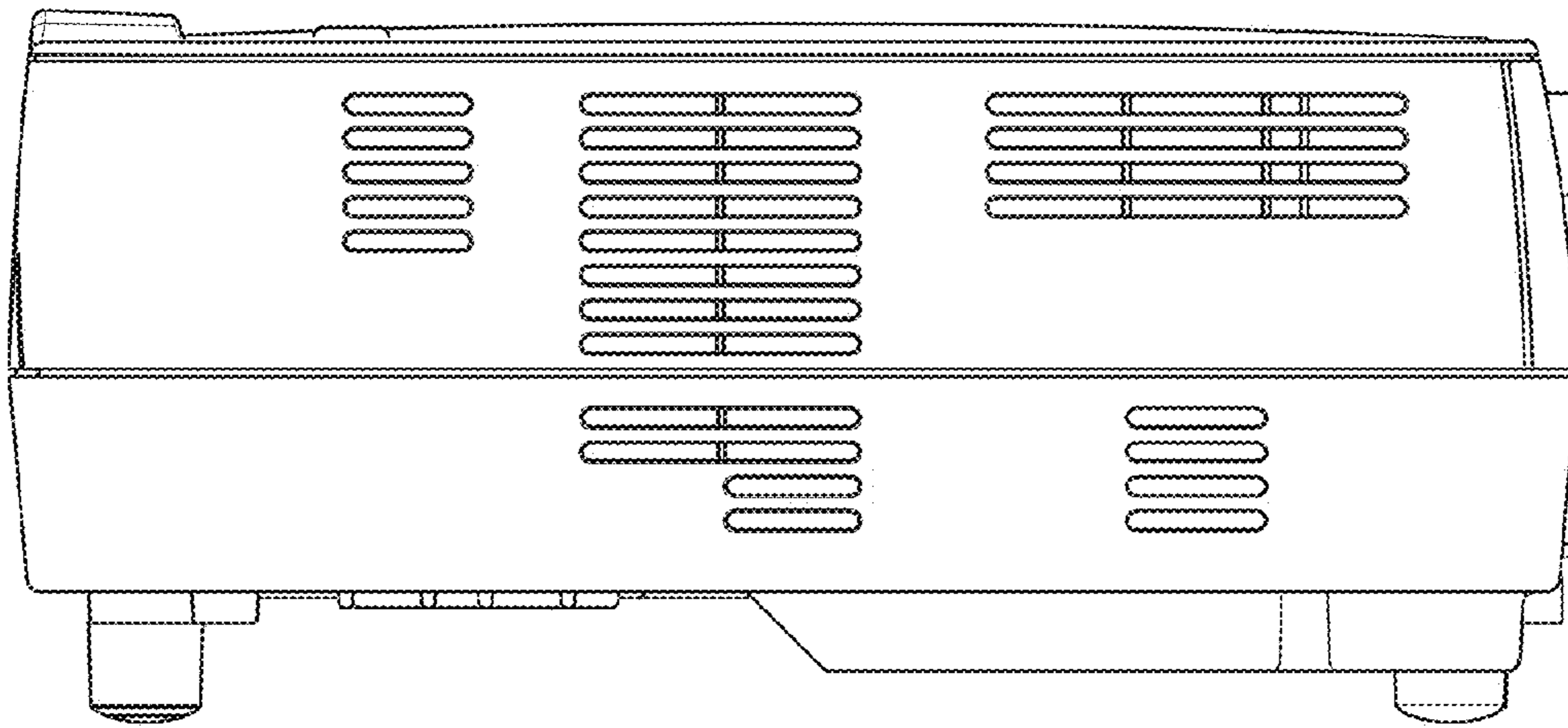


FIG. 22

FIG. 23

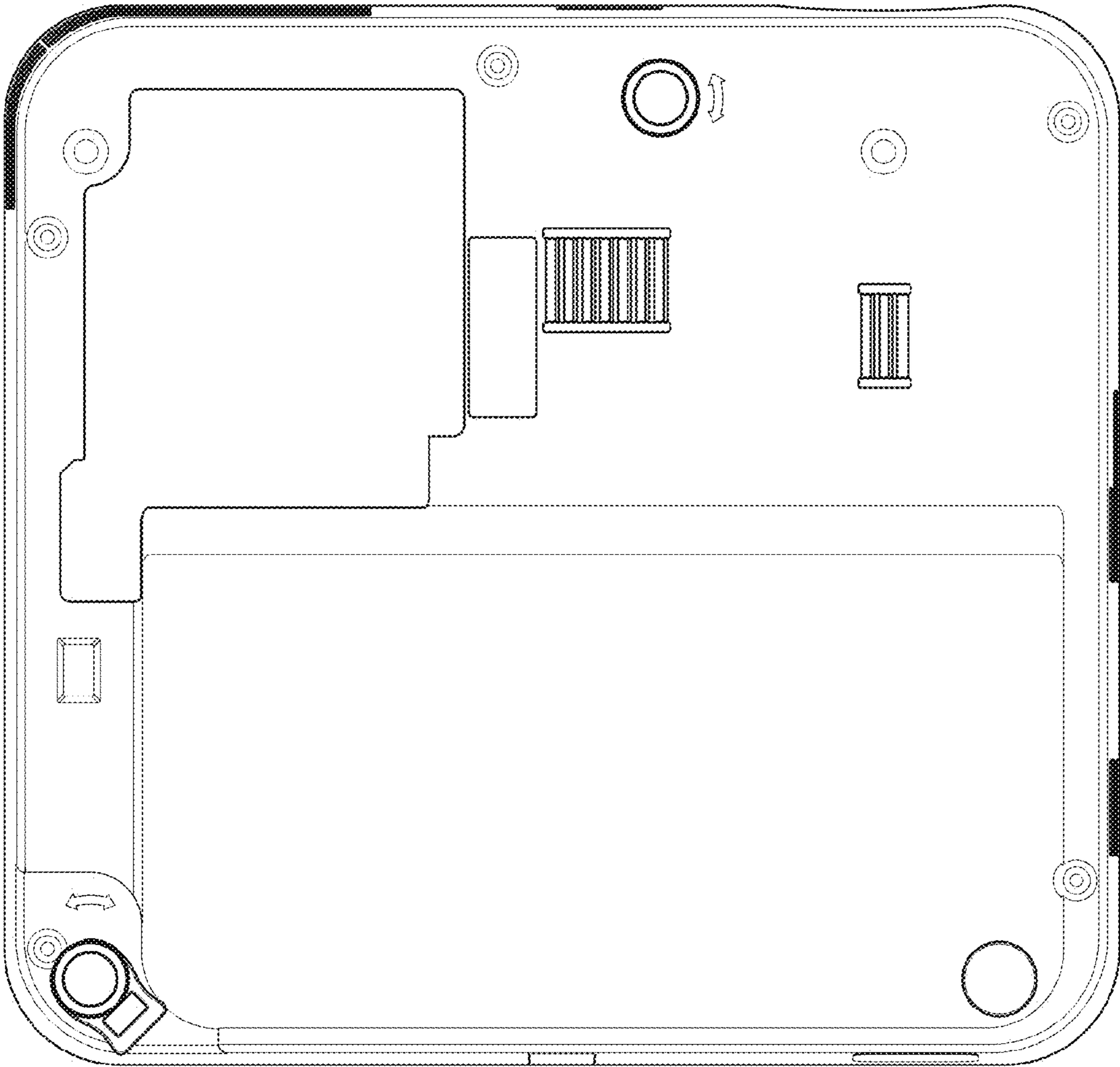


FIG. 24

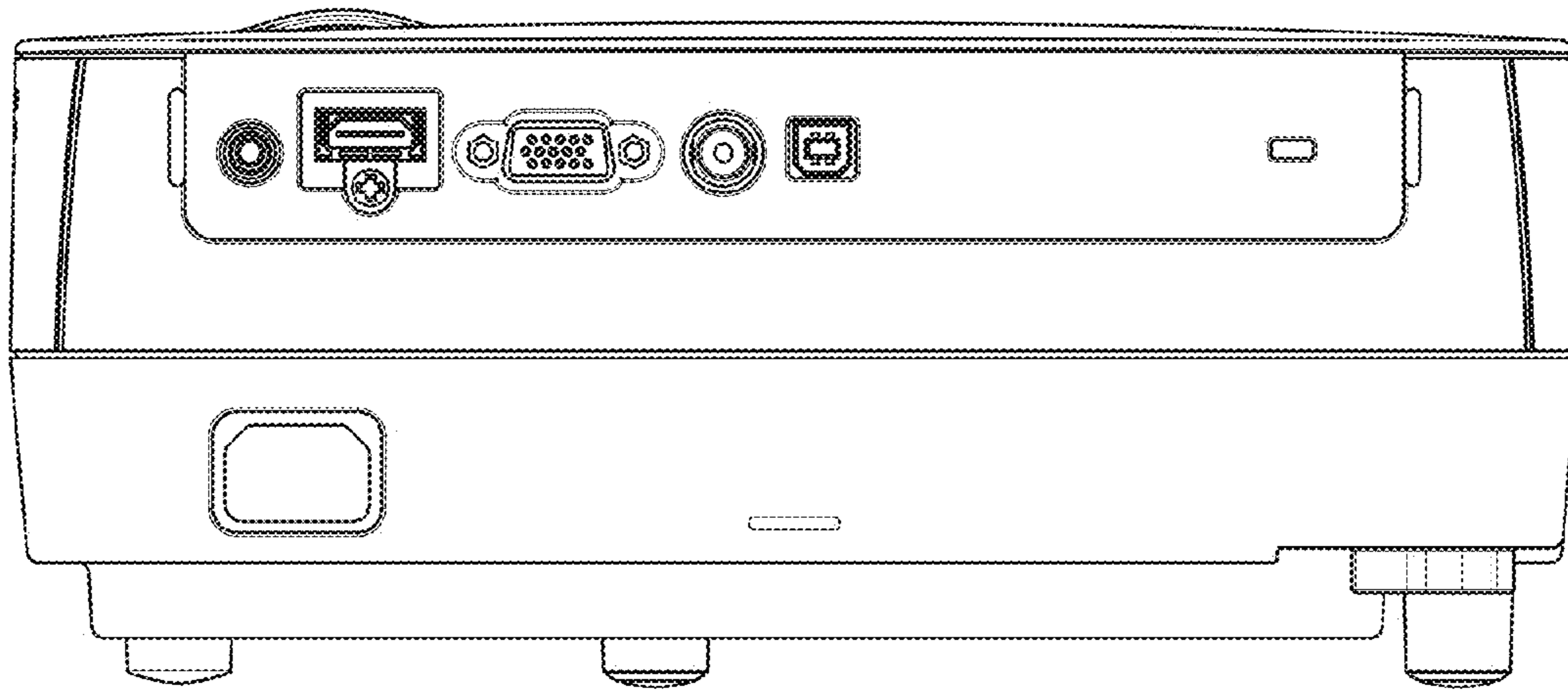


FIG. 26

