



US00D711451S

(12) **United States Design Patent**  
**Katsuyama**

(10) **Patent No.:** **US D711,451 S**  
(45) **Date of Patent:** **\*\* Aug. 19, 2014**

(54) **VEHICLE-MOUNTED STEREO CAMERA**

2010/0123819 A1\* 5/2010 Yu ..... 348/360  
2011/0199485 A1\* 8/2011 Nakamura ..... 348/148  
2013/0335568 A1\* 12/2013 Tang ..... 348/148

(71) Applicant: **Aisin Seiki Kabushiki Kaisha**, Kariya (JP)

FOREIGN PATENT DOCUMENTS

(72) Inventor: **Masayuki Katsuyama**, Biot (FR)

JP 1381628 S 3/2010  
JP 2012-032349 A 2/2012  
JP 1432888 S 2/2012

(73) Assignee: **Aisin Seiki Kabushiki Kaisha**, Kariya-Shi, Aichi-Ken (JP)

OTHER PUBLICATIONS

(\*\*) Term: **14 Years**

Sales Brochure of the Toyota Voxy, Published by Toyota Jidosha Kabushiki Kaisha contains information as of Mar. 2011.

(21) Appl. No.: **29/452,471**

(Continued)

(22) Filed: **Apr. 17, 2013**

*Primary Examiner* — Adir Aronovich

*Assistant Examiner* — Ramzi Almatrahi

(30) **Foreign Application Priority Data**

(74) *Attorney, Agent, or Firm* — Buchanan Ingersoll & Rooney PC

Oct. 19, 2012 (JP) ..... 2012-025453

(51) **LOC (10) CL.** ..... **16-01**

(52) **U.S. CL.**  
USPC ..... **D16/208**

(57) **CLAIM**

The ornamental design for a vehicle-mounted stereo camera, as shown and described.

(58) **Field of Classification Search**

CPC ..... G03B 15/03; G03B 17/02; G03B 17/04; G03B 17/48; G03B 17/56; G03B 19/04; G08G 1/0175; H04N 5/2251; H04N 5/2252; H04N 5/2253; H04N 5/2254; H04N 2101/00; B60R 1/00  
USPC ..... D16/200, 202–204, 207, 208, 210, 218, D16/219, 222; D12/400; 340/937; 348/143, 348/148, 151, 360, 373–376; 396/427, 429, 396/529, 535, 539–541

**DESCRIPTION**

FIG. 1 is a front perspective view of a vehicle-mounted stereo camera showing my new design;  
FIG. 2 is a rear perspective view thereof;  
FIG. 3 is a front elevational view thereof;  
FIG. 4 is a rear elevational view thereof;  
FIG. 5 is a top plan view thereof;  
FIG. 6 is a bottom plan view thereof;  
FIG. 7 is a right side elevational view thereof;  
FIG. 8 is a left side elevational view thereof; and,  
FIG. 9 is a front elevational view showing the article in use.  
The features shown in broken lines in the drawings depict environmental subject matter only and form no part of the claimed design.

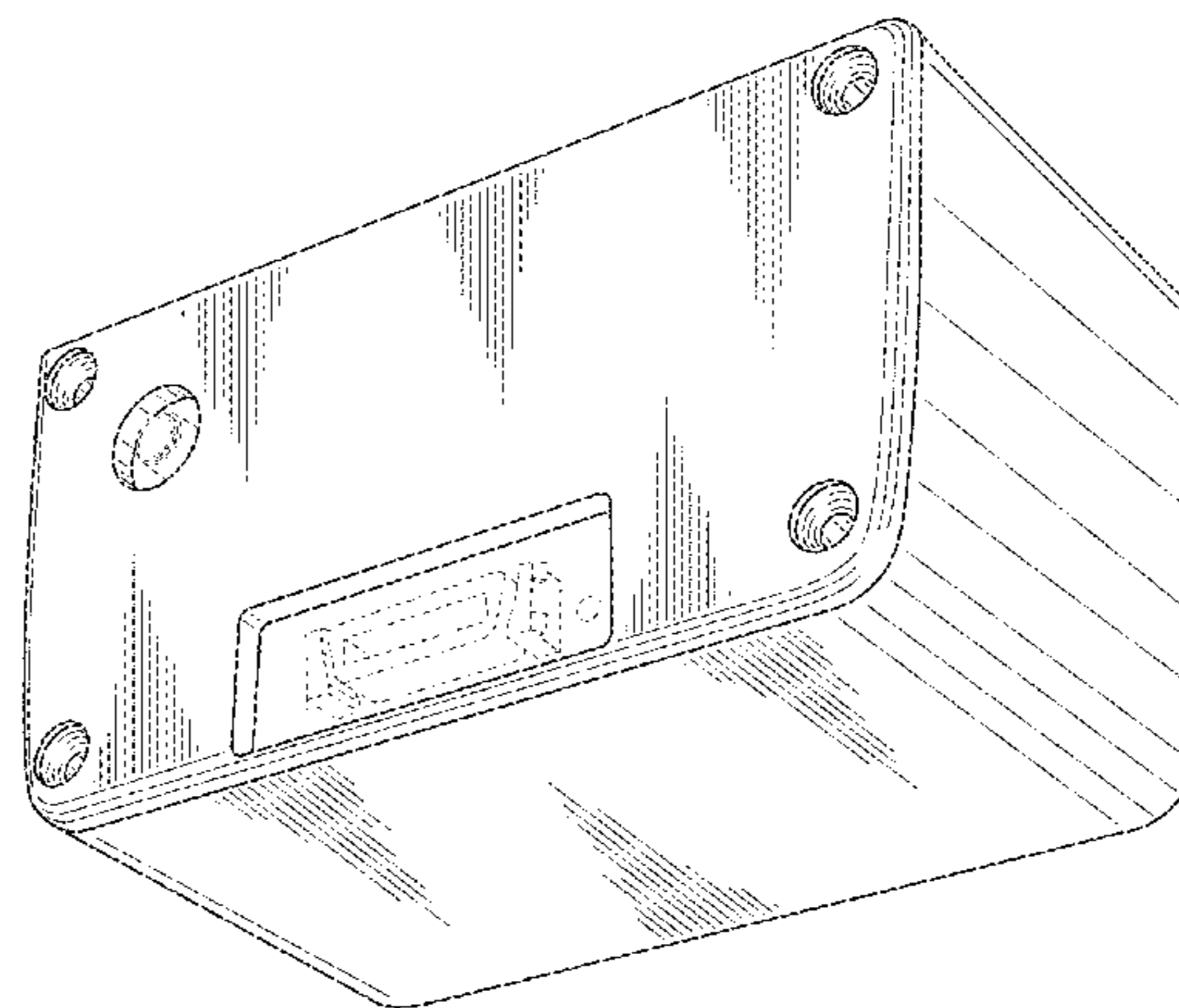
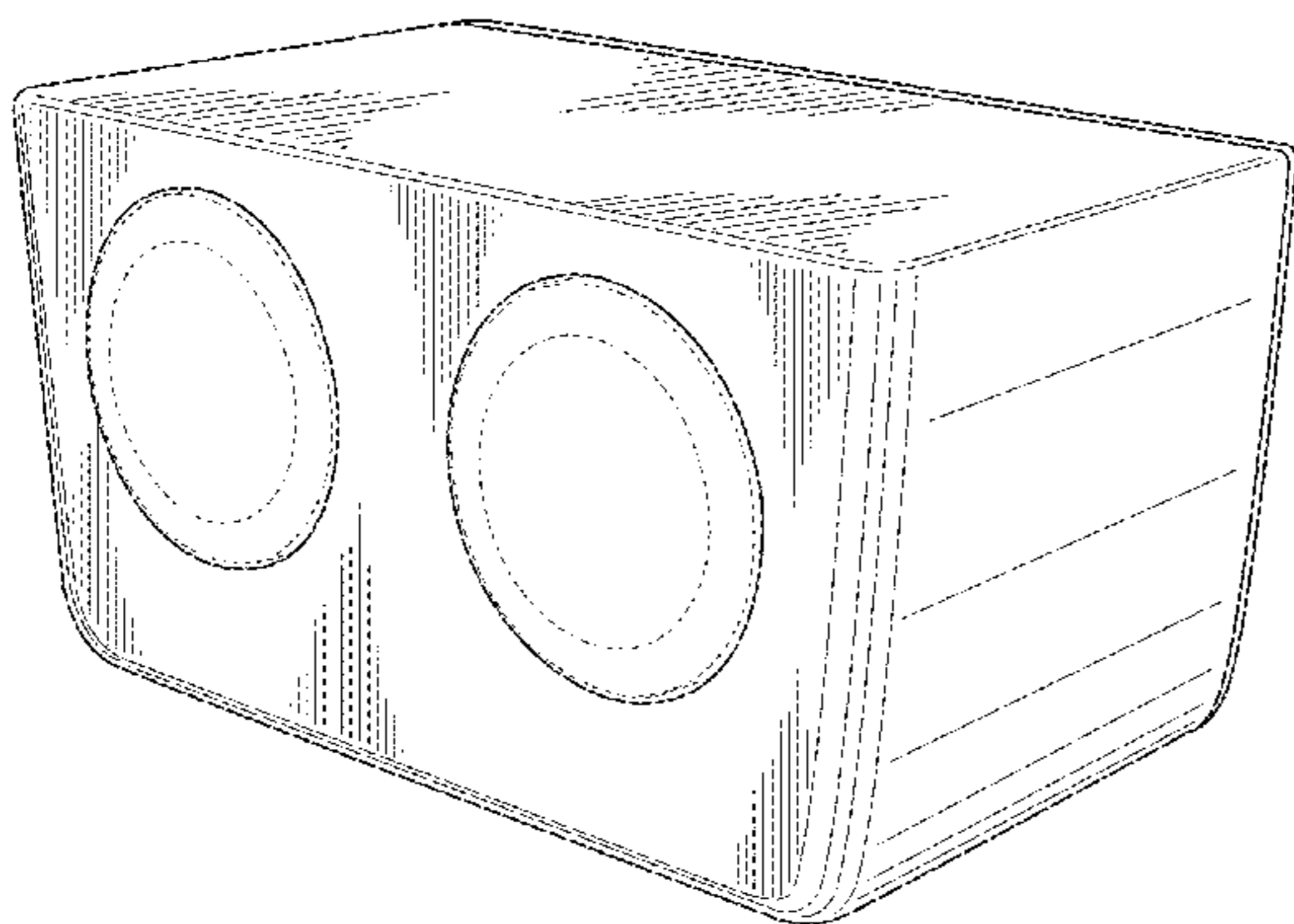
See application file for complete search history.

(56) **References Cited**

U.S. PATENT DOCUMENTS

7,520,686 B2\* 4/2009 Droege et al. .... 396/427  
7,604,423 B2\* 10/2009 Nagata et al. .... 396/529  
8,587,715 B2\* 11/2013 Takeda ..... 348/373

**1 Claim, 9 Drawing Sheets**



(56)

**References Cited**

OTHER PUBLICATIONS

Web page of Gulliver International Co., Ltd., <http://221616.com/corism/articles/0000082507/> Access Date: Mar. 28, 2012, Owner of the website: Gulliver International Co., Ltd., Title: The editor test-drives Subaru Legacy—Equipped with revolutionary safety system “EyeSight” (Article of Jun. 26, 2008).

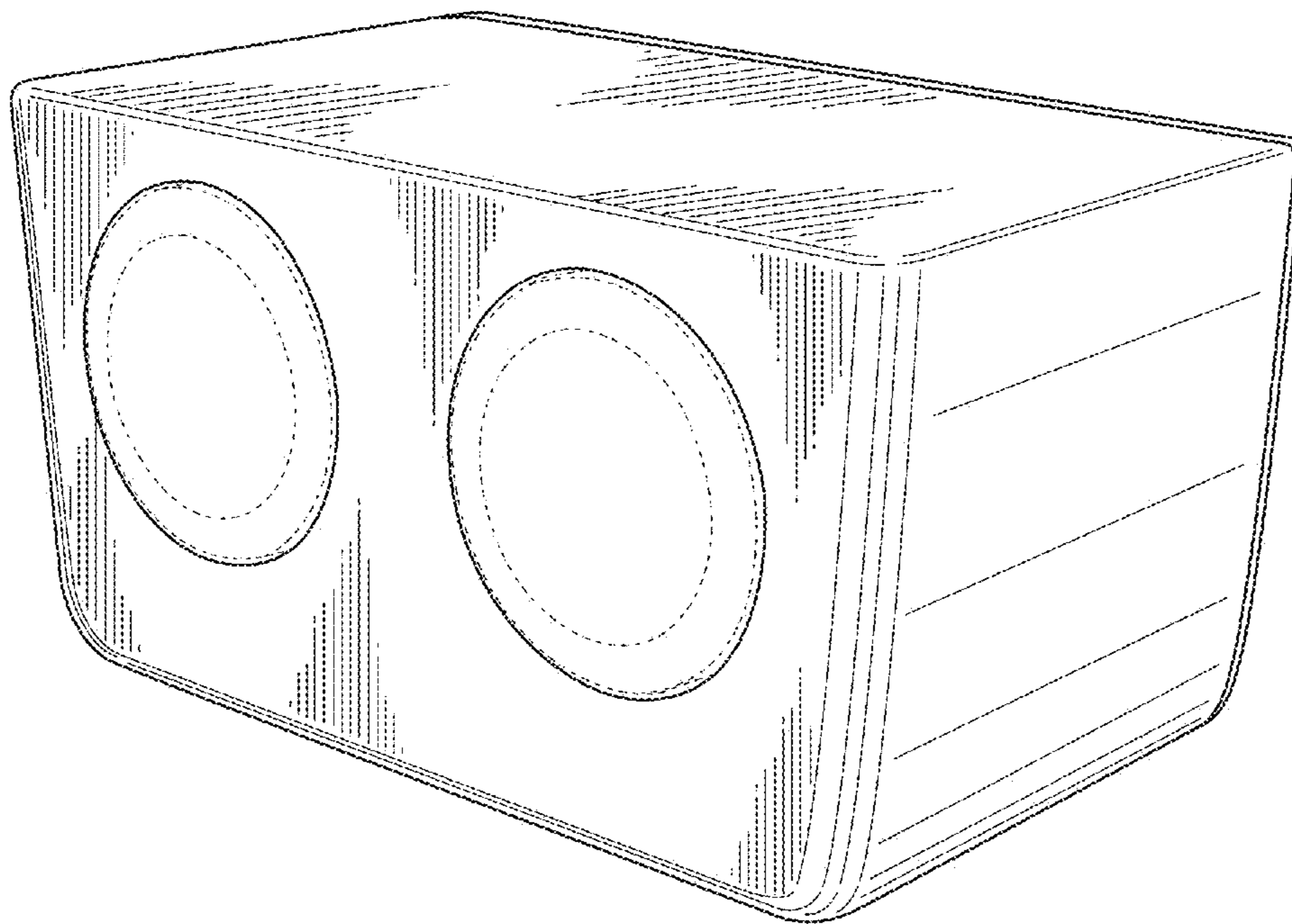
Web page of Gulliver International Co., Ltd., <http://221616.com/corism/articles/0000098766/> Access Date: Mar. 28, 2012, Owner of

the website: Gulliver International Co., Ltd., Title: Subaru Exiga—Great change after a year from the first release—NA car with CVT, eligible for a 78% tax credit for eco-friendly cars (Article of Sep. 2, 2009).

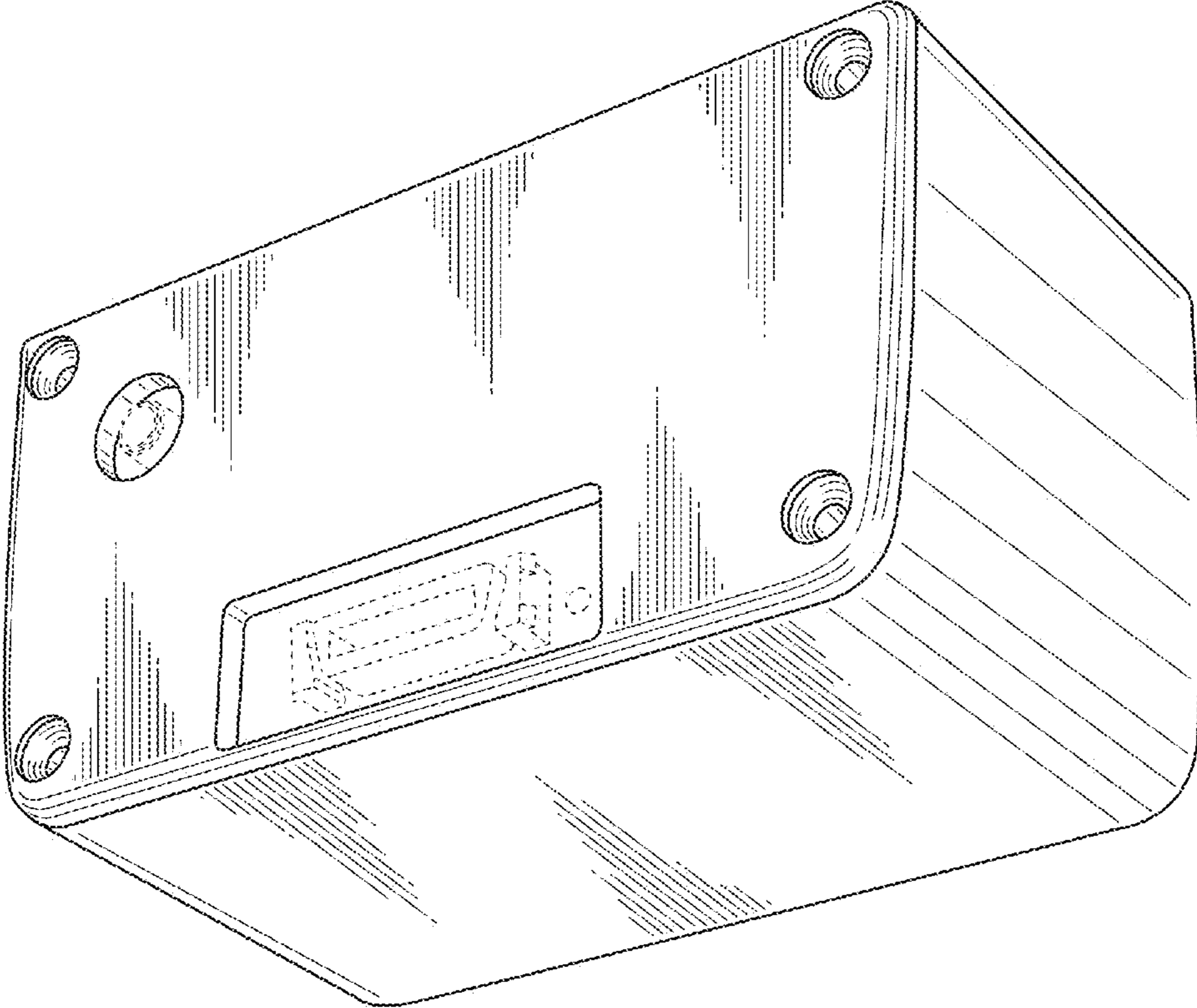
Web page of CarlifeNavi, <http://carlifenavi.com/article/detail/152721>, Access Date: Mar. 28, 2012, Owner of the website: IID, Inc., Title: Subaru Legacy equipped with EyeSight system sold 10,000 units (Article of Mar. 4, 2011).

\* cited by examiner

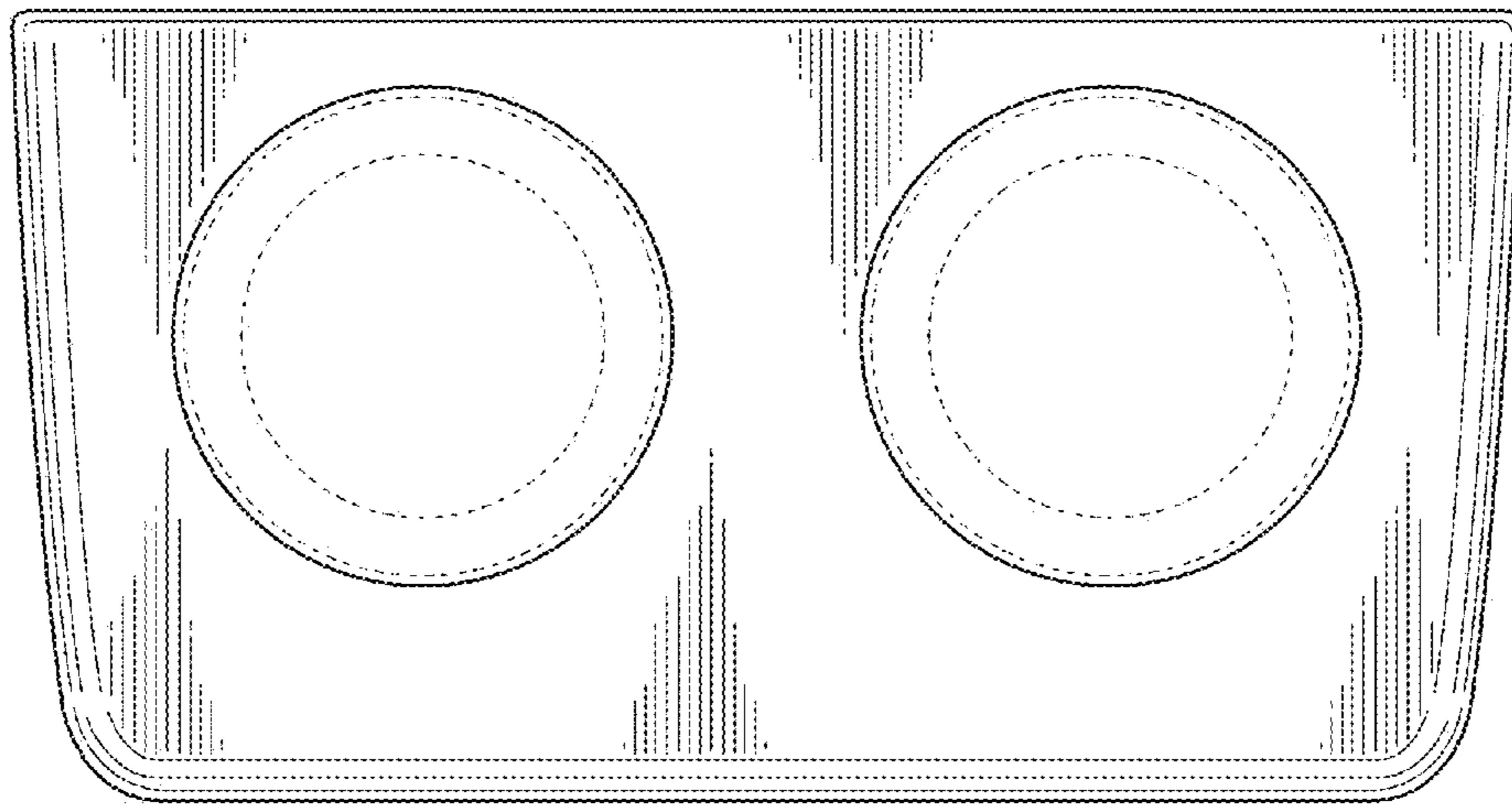
*FIG. 1*



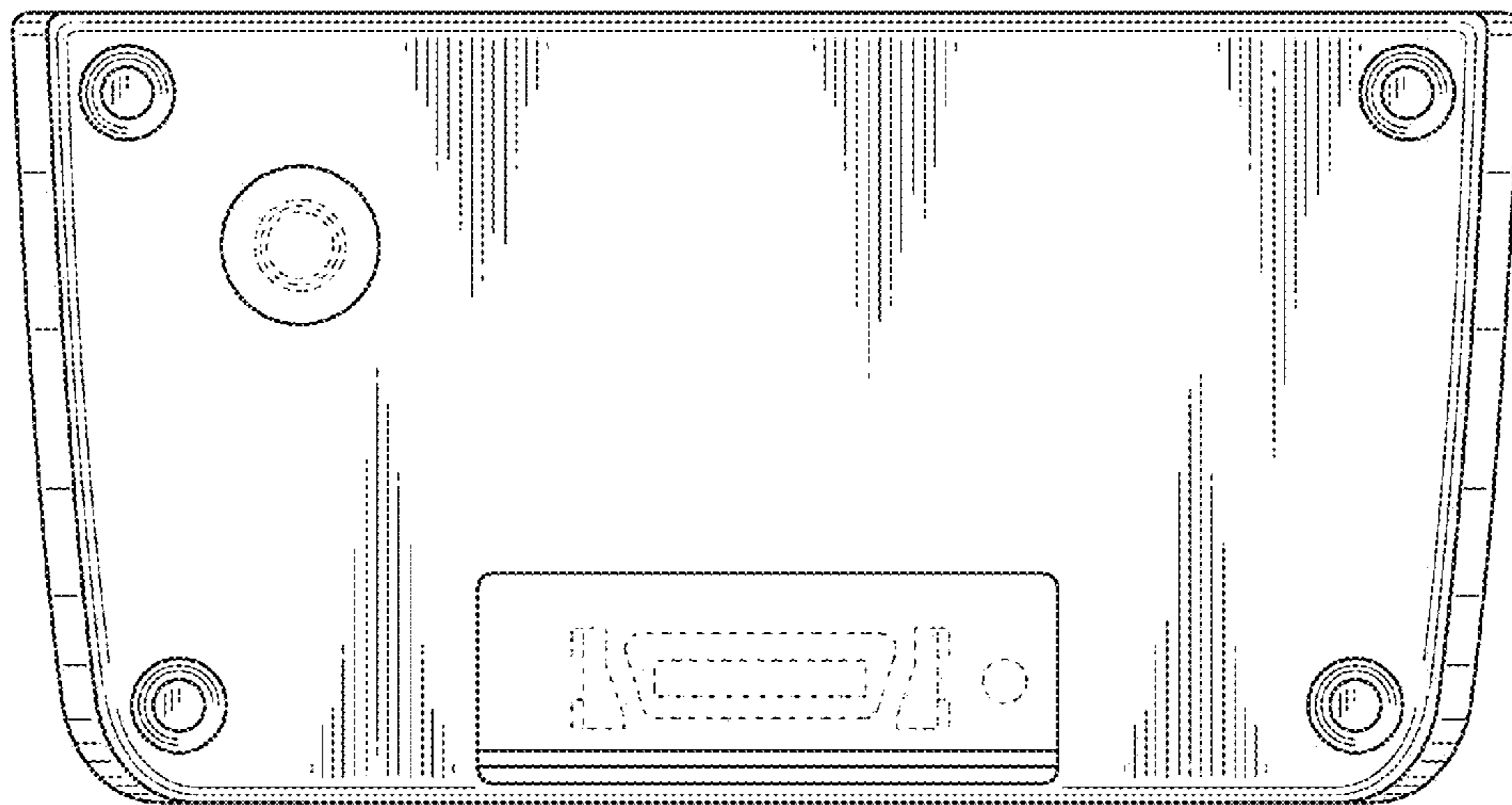
*FIG. 2*



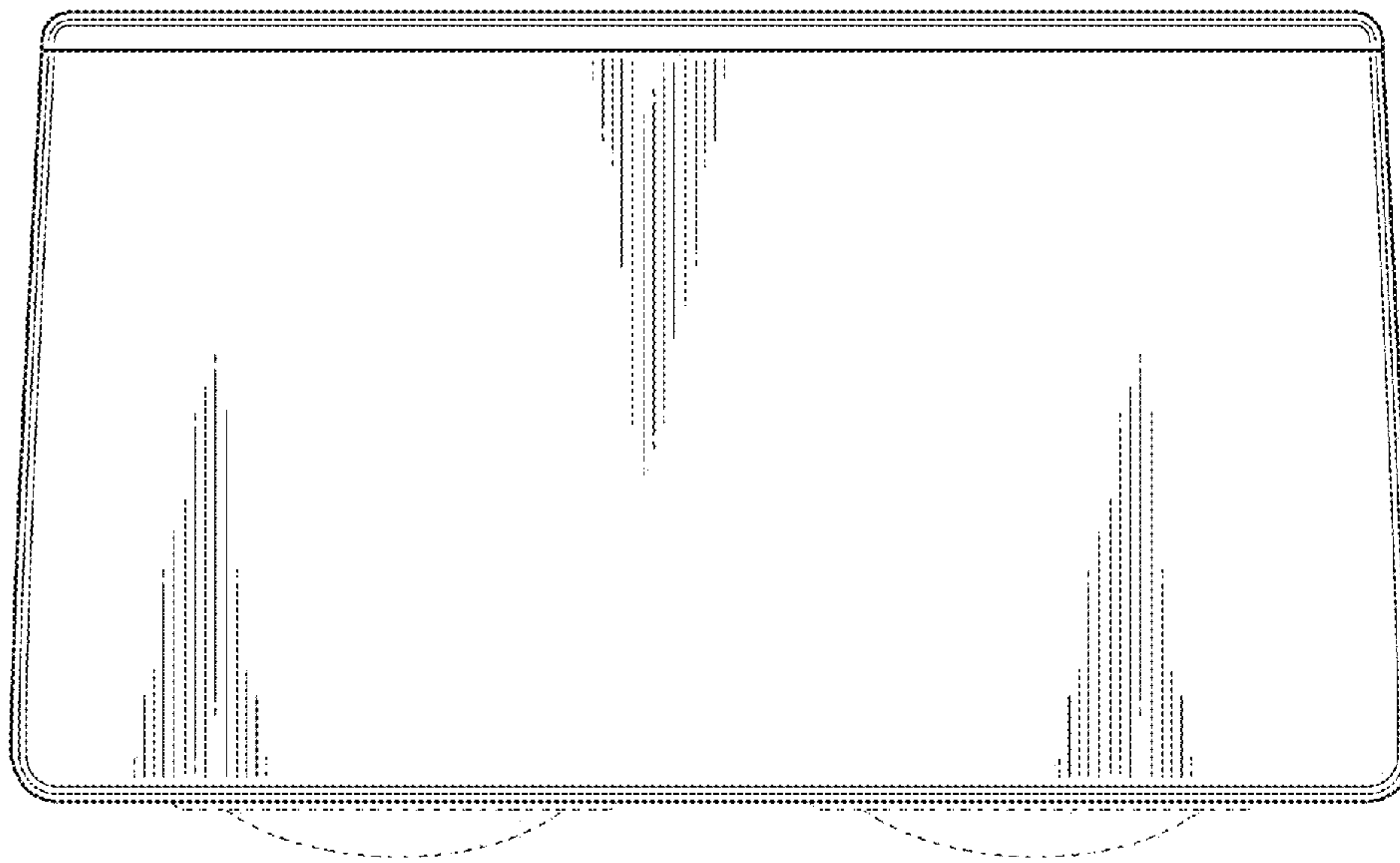
*FIG. 3*



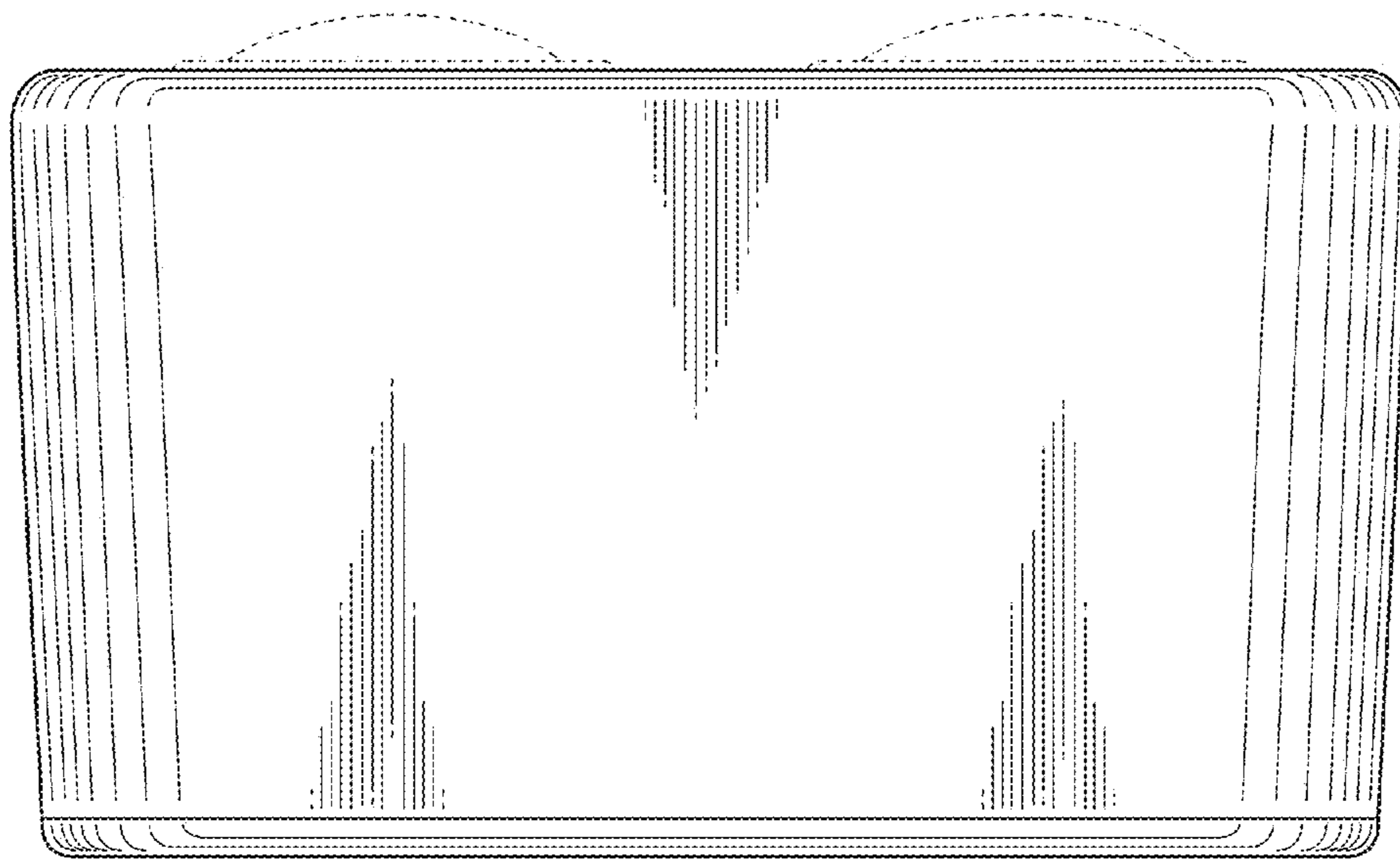
*FIG. 4*



*FIG. 5*

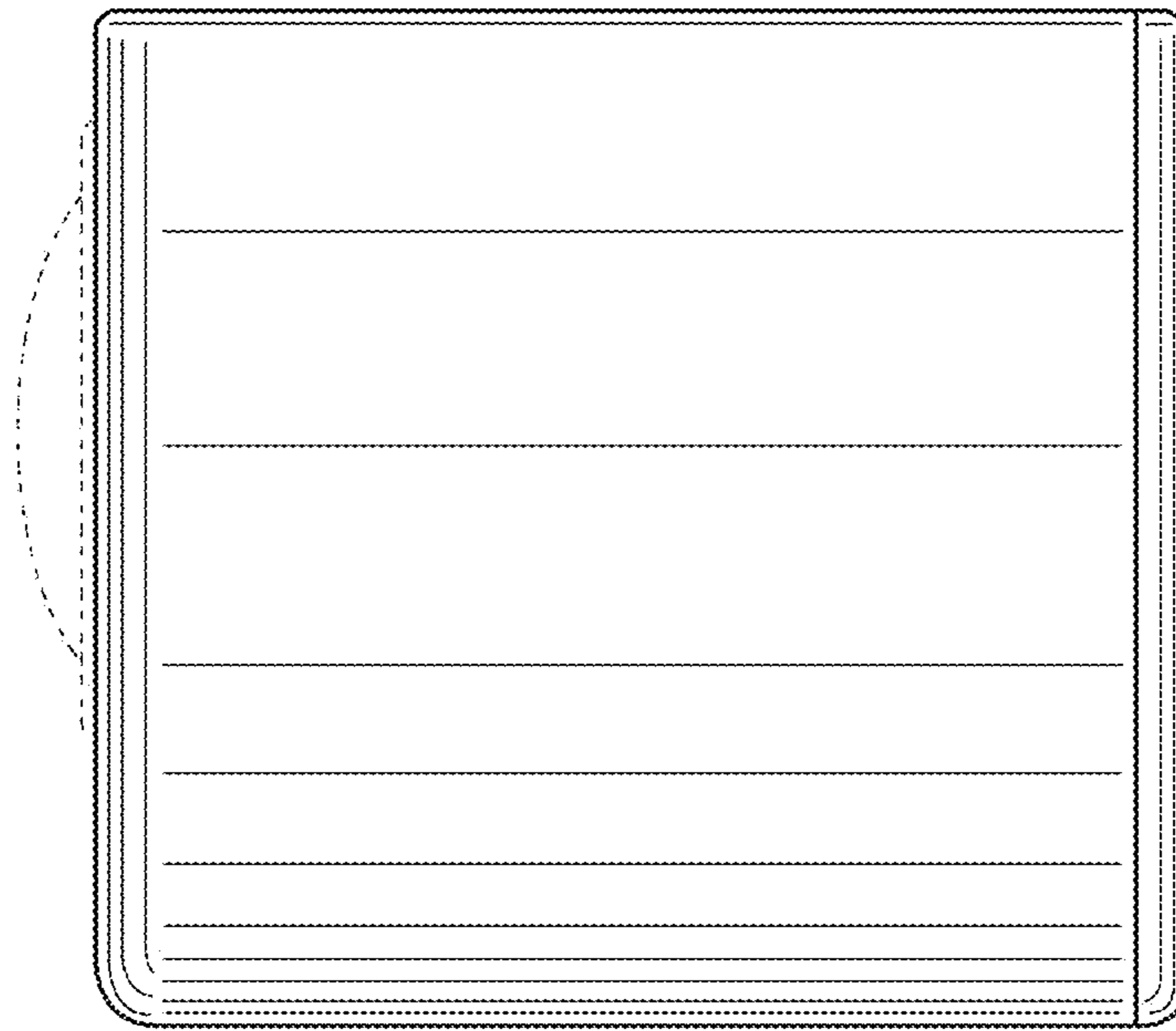


*FIG. 6*

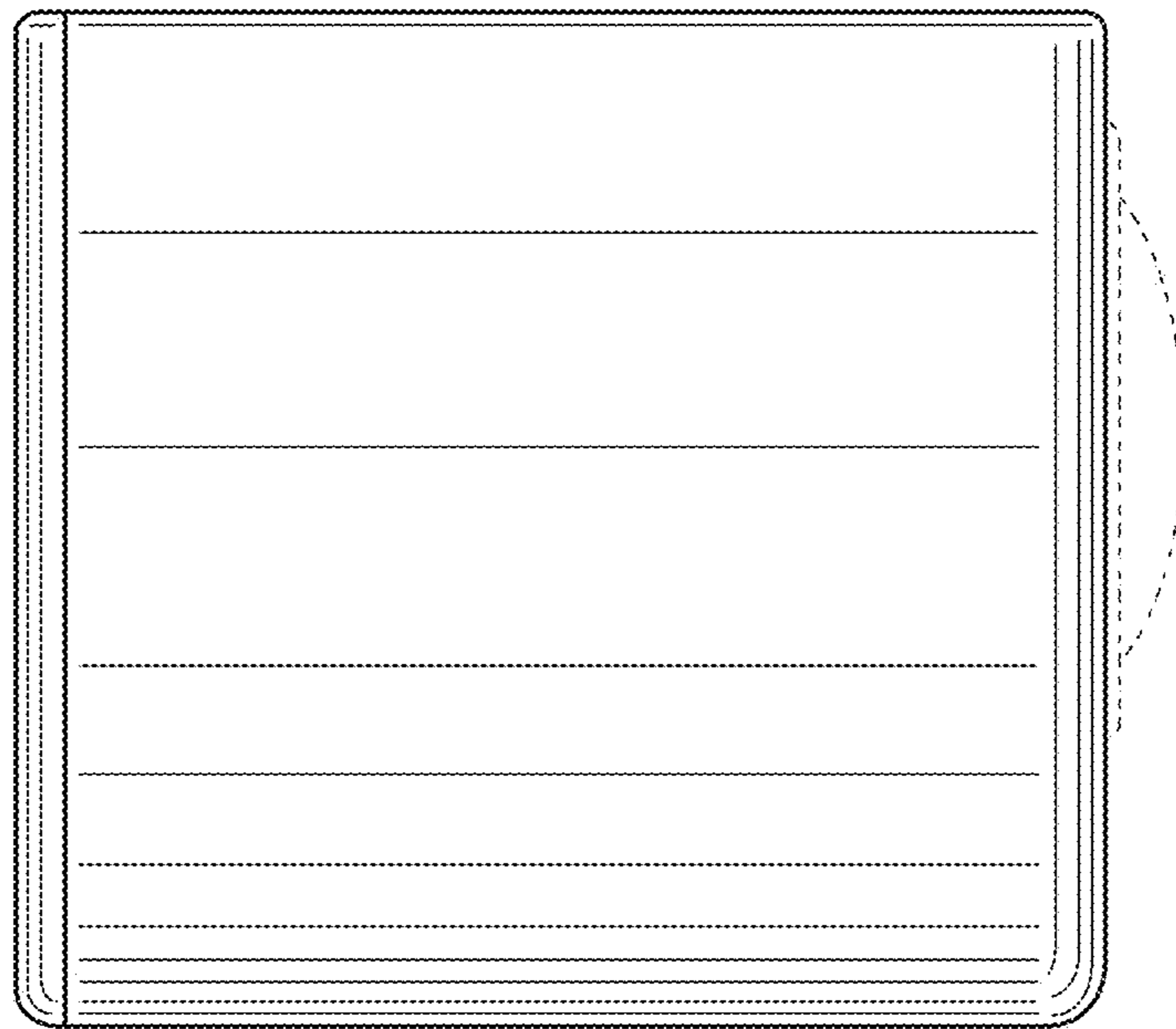




*FIG. 7*



*FIG. 8*



*FIG. 9*

