



US00D711446S

(12) **United States Design Patent**  
**McCormick**

(10) **Patent No.:** **US D711,446 S**

(45) **Date of Patent:** **\*\* Aug. 19, 2014**

(54) **PANEL FOR A FLUID TRANSFER APPARATUS**

(71) Applicant: **Sean C. McCormick**, Suffolk, VA (US)

(72) Inventor: **Sean C. McCormick**, Suffolk, VA (US)

(\*\*) Term: **14 Years**

(21) Appl. No.: **29/439,056**

(22) Filed: **Dec. 6, 2012**

(51) **LOC (10) Cl.** ..... **15-99**

(52) **U.S. Cl.**  
USPC ..... **D15/152**

(58) **Field of Classification Search**

CPC .... A61B 19/00; B67D 3/0003; B23K 3/0661;  
B23K 1/08; E01C 23/20  
USPC ..... D15/149, 150, 151, 152; D23/200, 223,  
D23/499

See application file for complete search history.

(56) **References Cited**

**U.S. PATENT DOCUMENTS**

1,990,524 A *	2/1935	Bystricky	.....	222/255
D152,015 S *	12/1948	Moore	.....	D15/152
D155,692 S *	10/1949	Fox et al.	.....	D15/151
D248,845 S *	8/1978	White et al.	.....	D34/17
D337,774 S *	7/1993	Schillinger	.....	D15/150
D367,661 S *	3/1996	Few	.....	D15/150
D412,713 S *	8/1999	Hill	.....	D15/150
D420,188 S *	2/2000	Betcher	.....	D34/23
D515,765 S *	2/2006	Toronjo, III	.....	D34/11

2002/0113098 A1 *	8/2002	Camacho et al.	.....	222/608
2005/0023681 A1 *	2/2005	Uchida et al.	.....	257/737
2009/0126825 A1 *	5/2009	Eliuk et al.	.....	141/1
2010/0000536 A1 *	1/2010	Rittner et al.	.....	128/205.24
2011/0295230 A1 *	12/2011	O'Dea et al.	.....	604/506
2012/0273215 A1 *	11/2012	Steele et al.	.....	166/345

\* cited by examiner

*Primary Examiner* — Patricia Palasik

(74) *Attorney, Agent, or Firm* — Maier & Maier, PLLC

(57) **CLAIM**

The ornamental design for a panel for a fluid transfer apparatus, as shown and described.

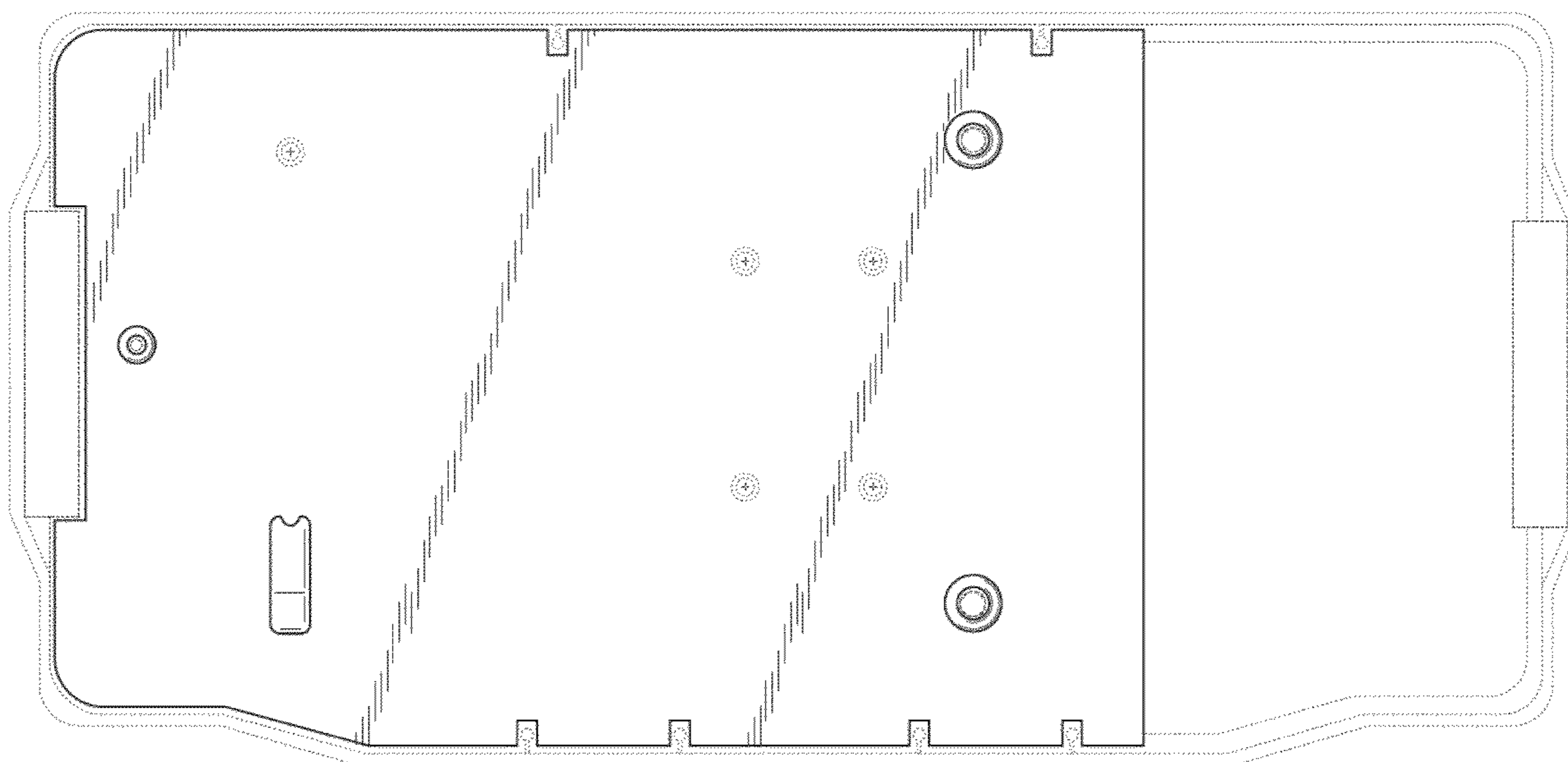
**DESCRIPTION**

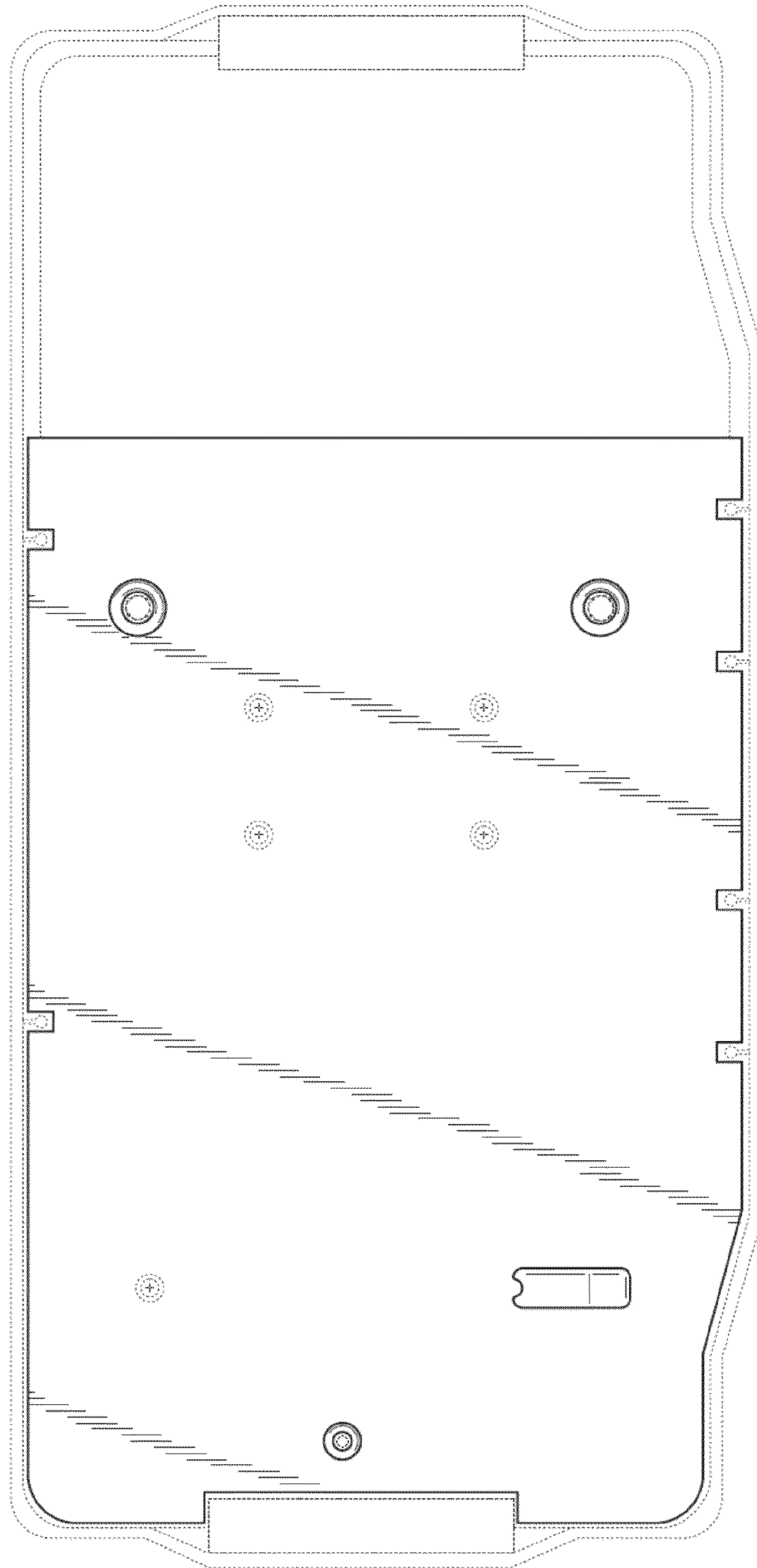
FIG. 1 is a top plan view of a first embodiment of a panel for a fluid transfer apparatus, showing my design; FIG. 2 is a front elevational view thereof; FIG. 3 is a rear elevational view thereof; FIG. 4 is a right side elevational view thereof; FIG. 5 is a left side elevational view thereof; FIG. 6 is a top plan view of a second embodiment of a transparent panel for a fluid transfer apparatus; FIG. 7 is a front elevational view thereof; FIG. 8 is a rear elevational view thereof; FIG. 9 is a right side elevational view thereof; and, FIG. 10 is a left side elevational view thereof.

The broken line showing of environment and portions of the Panels is for illustrative purposes only and forms no part of the claimed design.

The bottom views of the Panels are not shown and form no part of the claimed design.

**1 Claim, 4 Drawing Sheets**





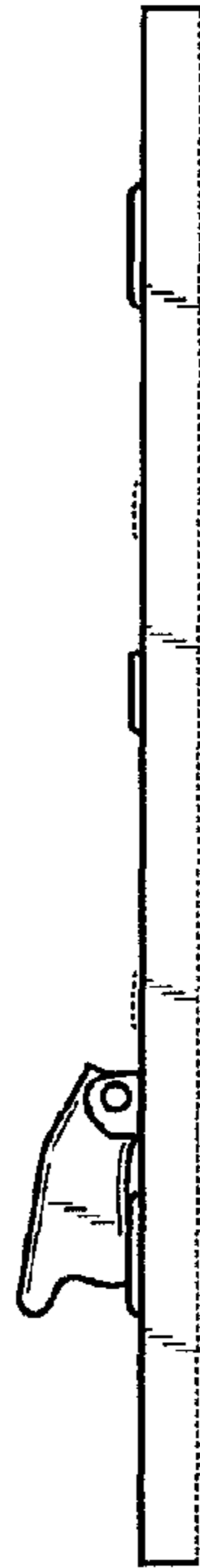
*Fig. 1*



*Fig. 2*



*Fig. 3*



*Fig. 4*



*Fig. 5*

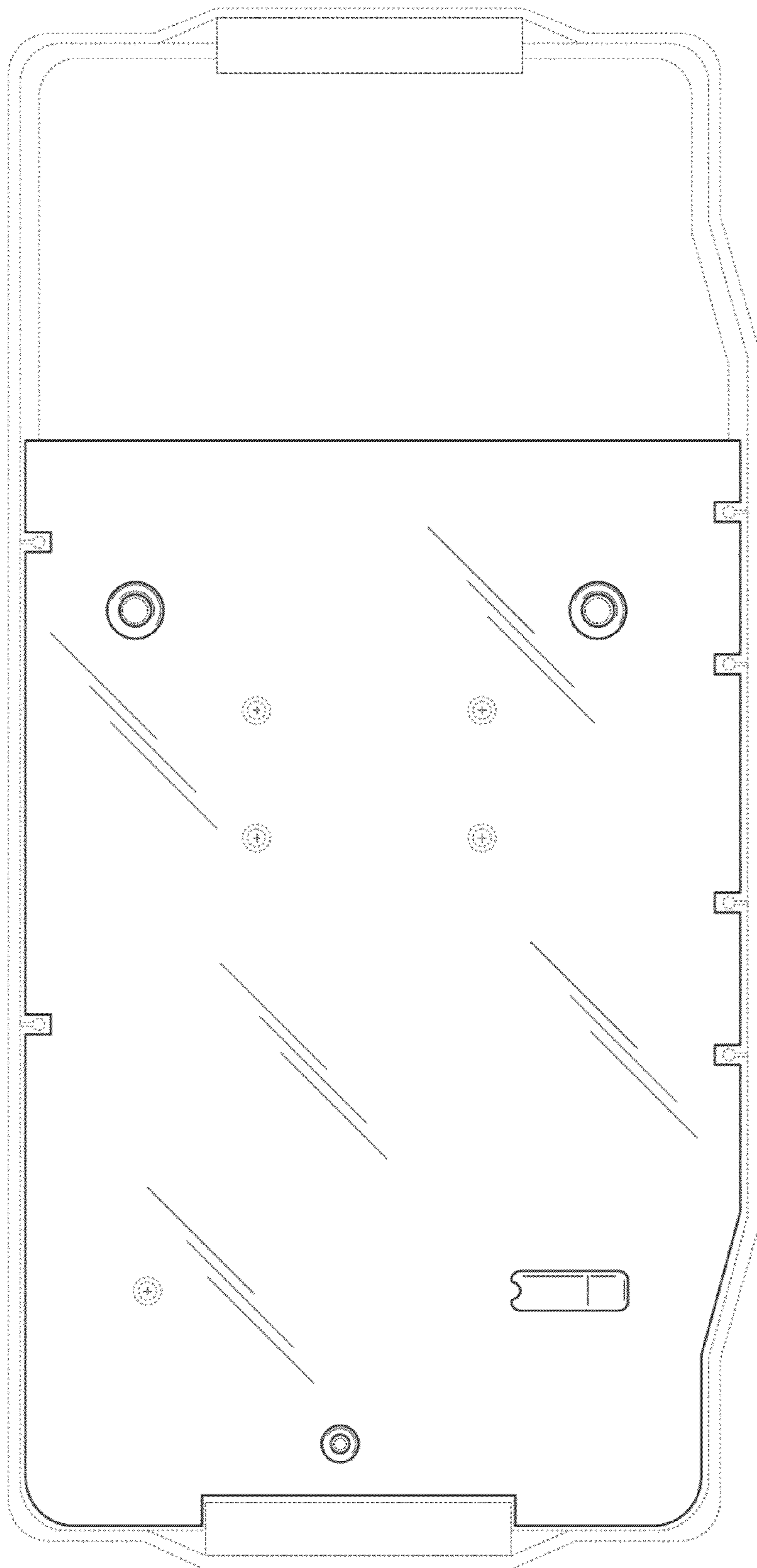
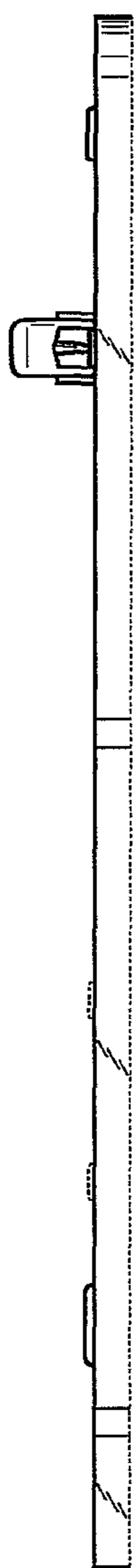


Fig. 6



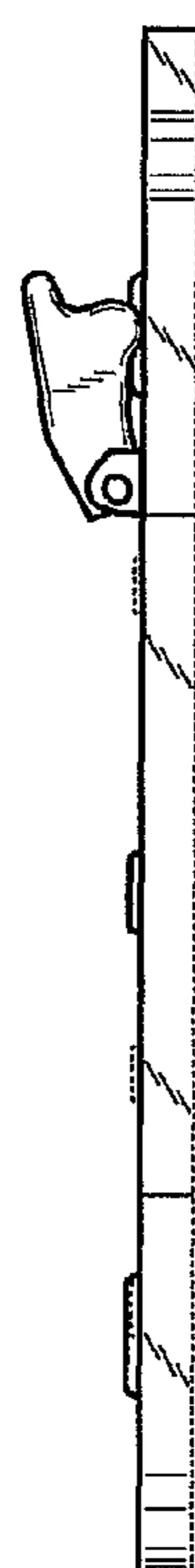
*Fig. 7*



*Fig. 8*



*Fig. 9*



*Fig. 10*