



US00D711445S

(12) **United States Design Patent**
Creager et al.

(10) **Patent No.:** **US D711,445 S**

(45) **Date of Patent:** **** Aug. 19, 2014**

(54) **HELICAL GEAR DIFFERENTIAL HOUSING**

(71) Applicant: **Eaton Corporation**, Cleveland, OH
(US)

(72) Inventors: **Christopher Wayne Creager**, Ypsilanti,
MI (US); **Michael David Green**, Clinton
Township, MI (US)

(73) Assignee: **Eaton Corporation**, Cleveland, OH
(US)

(**) Term: **14 Years**

(21) Appl. No.: **29/464,113**

(22) Filed: **Aug. 13, 2013**

(51) **LOC (10) Cl.** **15-09**

(52) **U.S. Cl.**
USPC **D15/148**

(58) **Field of Classification Search**
USPC D15/5, 148, 149, 199; 29/524.1;
74/395, 464, 489, 607; 280/5.5-5.24;
427/249.19; 428/408; 474/82, 144,
474/146; 475/83, 235, 240, 249, 331-335,
475/344, 345, 901; 476/42
See application file for complete search history.

(56) **References Cited**

U.S. PATENT DOCUMENTS

2,000,223	A	5/1935	Du Pras	
D402,354	S *	12/1998	Strong et al.	D23/259
6,053,838	A	4/2000	Gage	
7,022,041	B2	4/2006	Valente	
8,033,944	B2 *	10/2011	Weber et al.	475/235
D655,796	S *	3/2012	Dewitt et al.	D23/269

8,353,800	B2	1/2013	Kumar et al.	
D690,336	S *	9/2013	Gjertsen	D15/144
D690,339	S *	9/2013	Sigmund	D15/148
2002/0025878	A1	2/2002	Kam	
2006/0037828	A1 *	2/2006	Monahan et al.	192/35
2007/0191171	A1 *	8/2007	Pascoe et al.	475/230
2007/0249458	A1 *	10/2007	Veldman et al.	475/230
2008/0103010	A1 *	5/2008	Pontanari et al.	475/235
2009/0203488	A1 *	8/2009	Hultgren	475/249
2009/0211396	A1 *	8/2009	Gutmann et al.	74/607
2009/0215574	A1 *	8/2009	Weber et al.	475/230
2010/0151982	A1 *	6/2010	Waksmundzki	475/226

* cited by examiner

Primary Examiner — Patricia Palasik

(74) *Attorney, Agent, or Firm* — Remarck Law Group PLC

(57) **CLAIM**

The ornamental design for a helical gear differential housing,
as shown and described.

DESCRIPTION

FIG. 1 is a front perspective view of a first embodiment of a helical gear differential housing showing the new design.

FIG. 2 is a rear perspective view of the first embodiment of the helical gear differential housing of FIG. 1.

FIG. 3 is a front view of the first embodiment of the helical gear differential housing of FIG. 1.

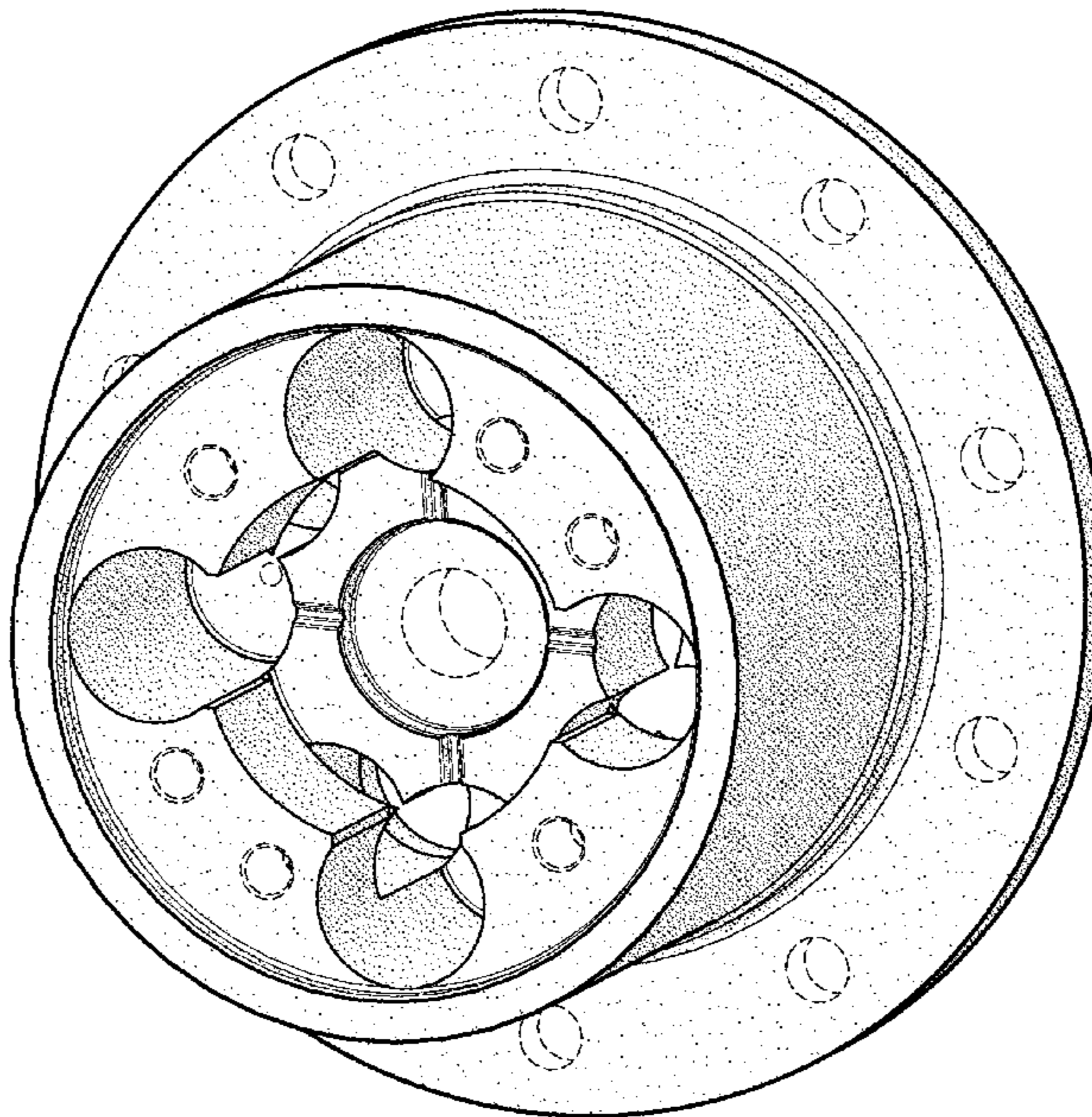
FIG. 4 is a rear view of the first embodiment of the helical gear differential housing of FIG. 1.

FIG. 5 is a first side view of the first embodiment of the helical gear differential housing of FIG. 1.

FIG. 6 is a second side view of the first embodiment of the helical gear differential housing of FIG. 1; and,

FIG. 7 is a third side view of the first embodiment of the helical gear differential housing of FIG. 1.

1 Claim, 7 Drawing Sheets



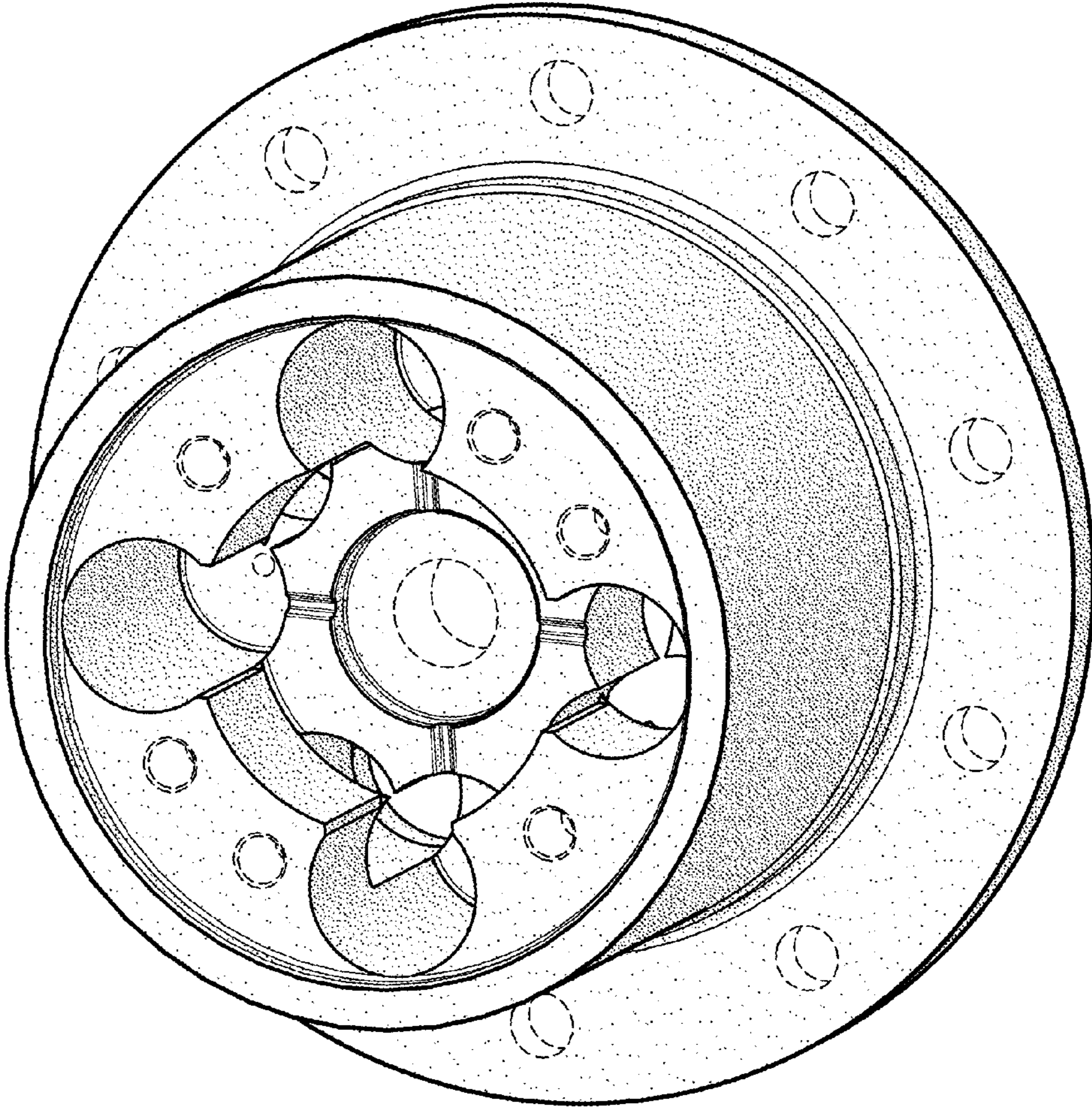


FIG.1

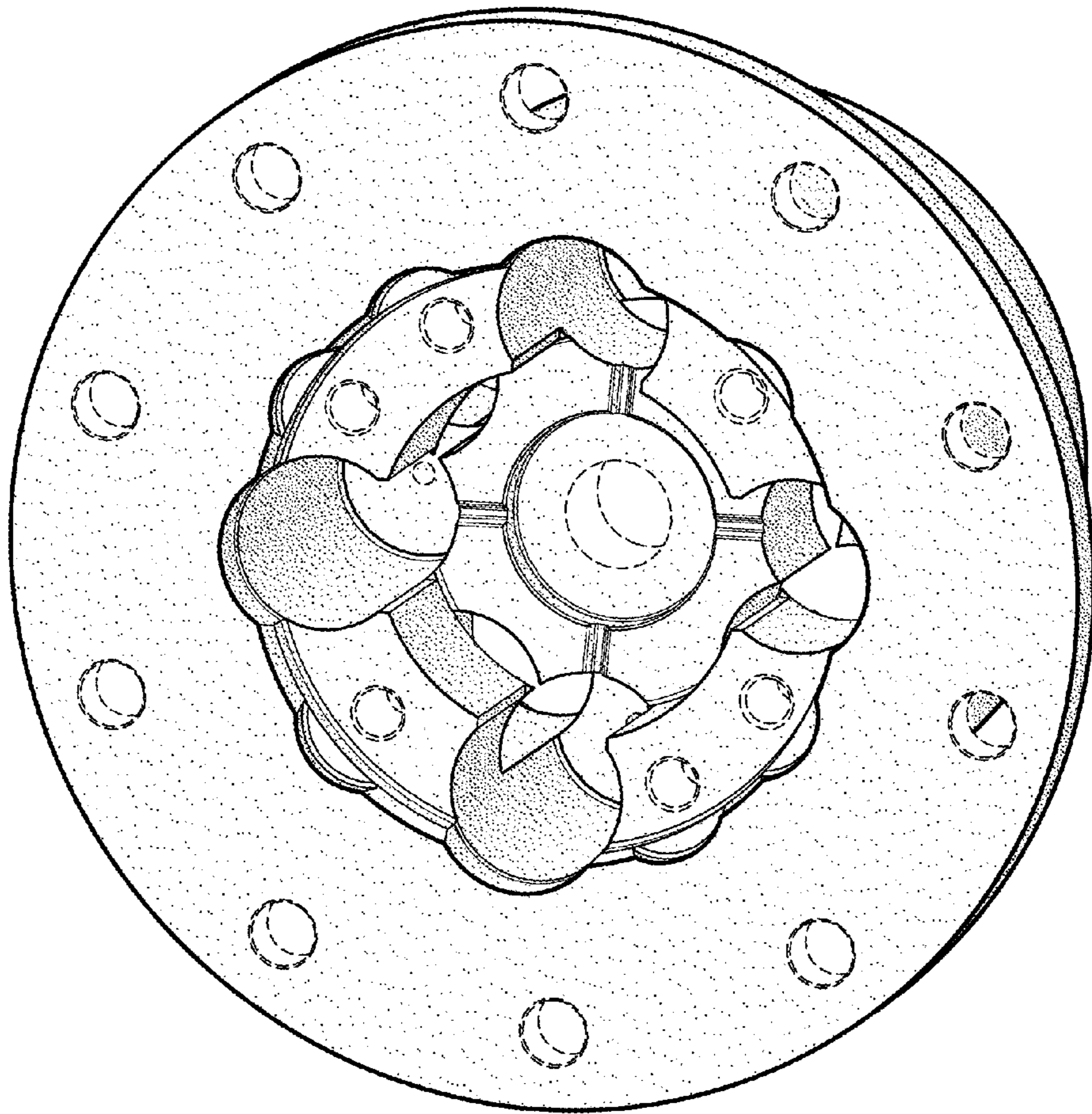


FIG. 2

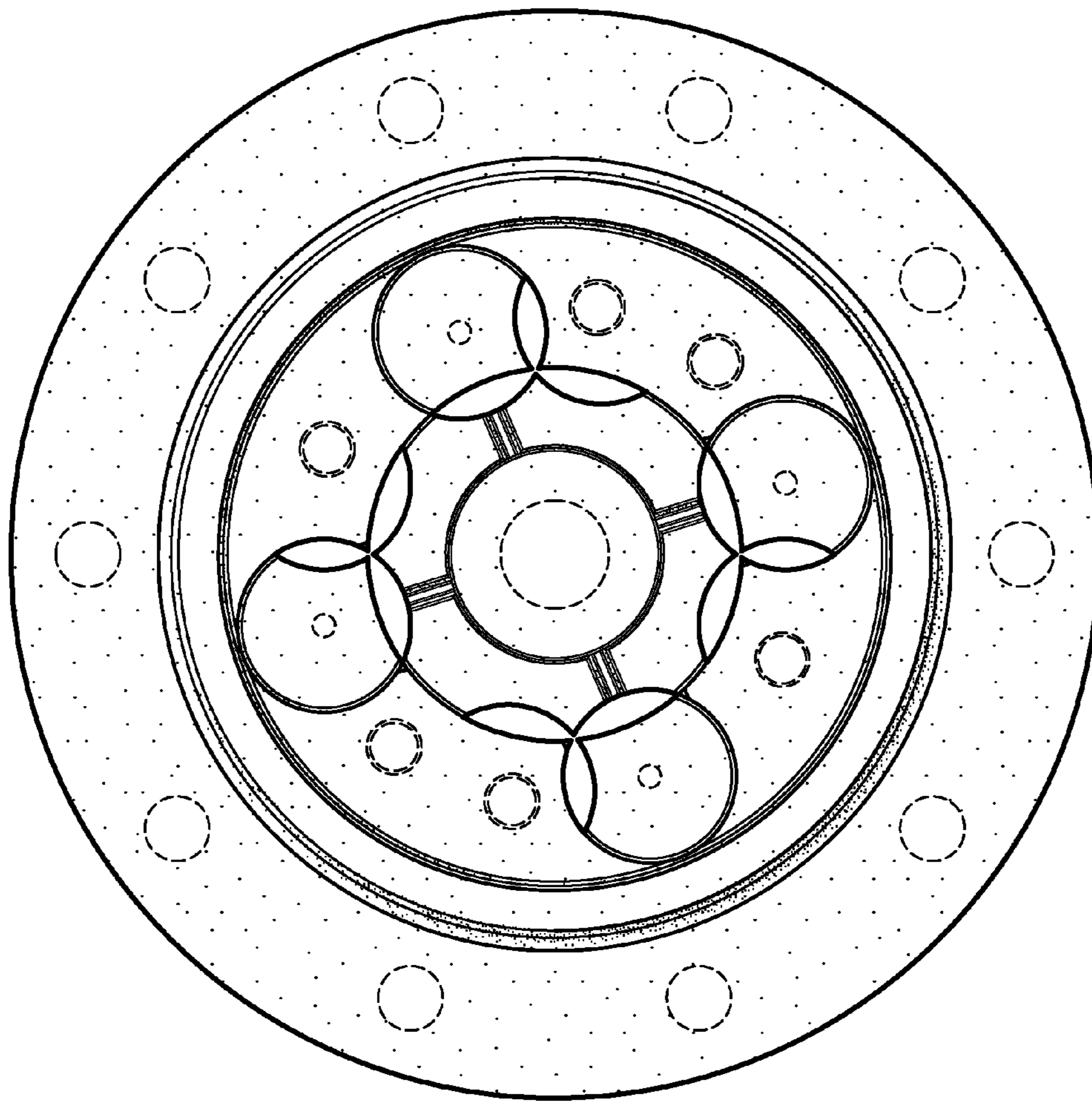


FIG. 3

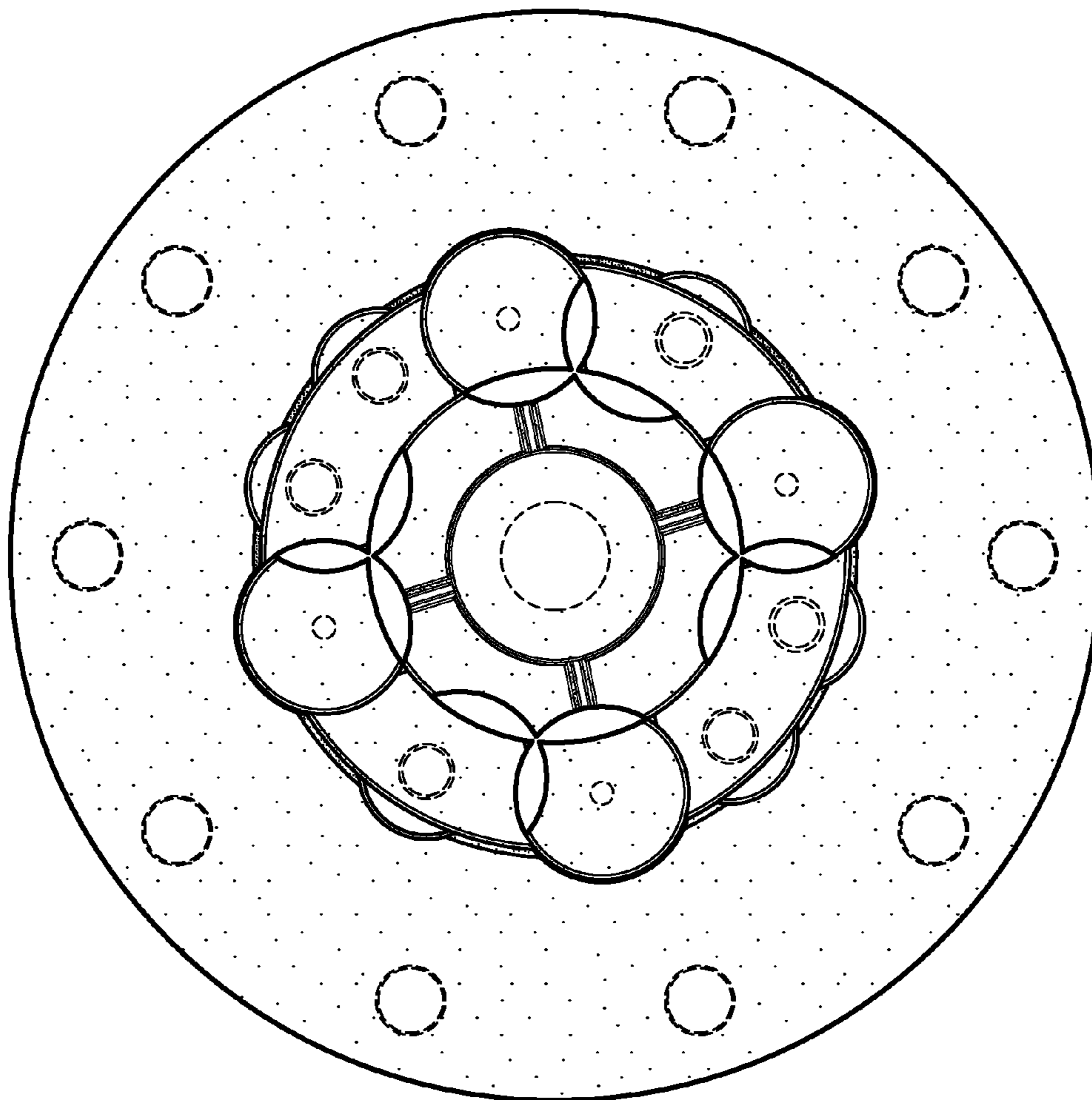


FIG.4

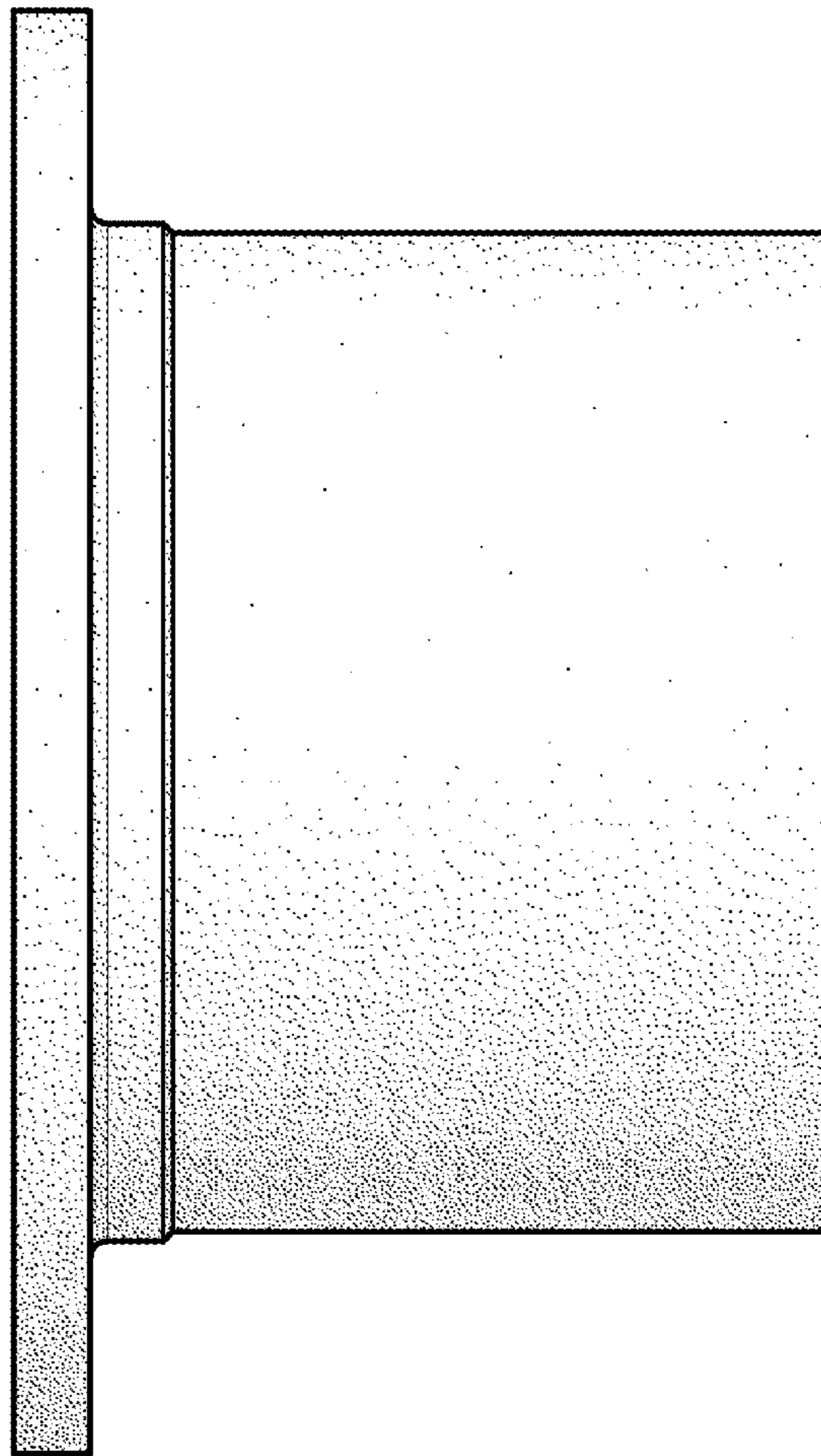


FIG. 5

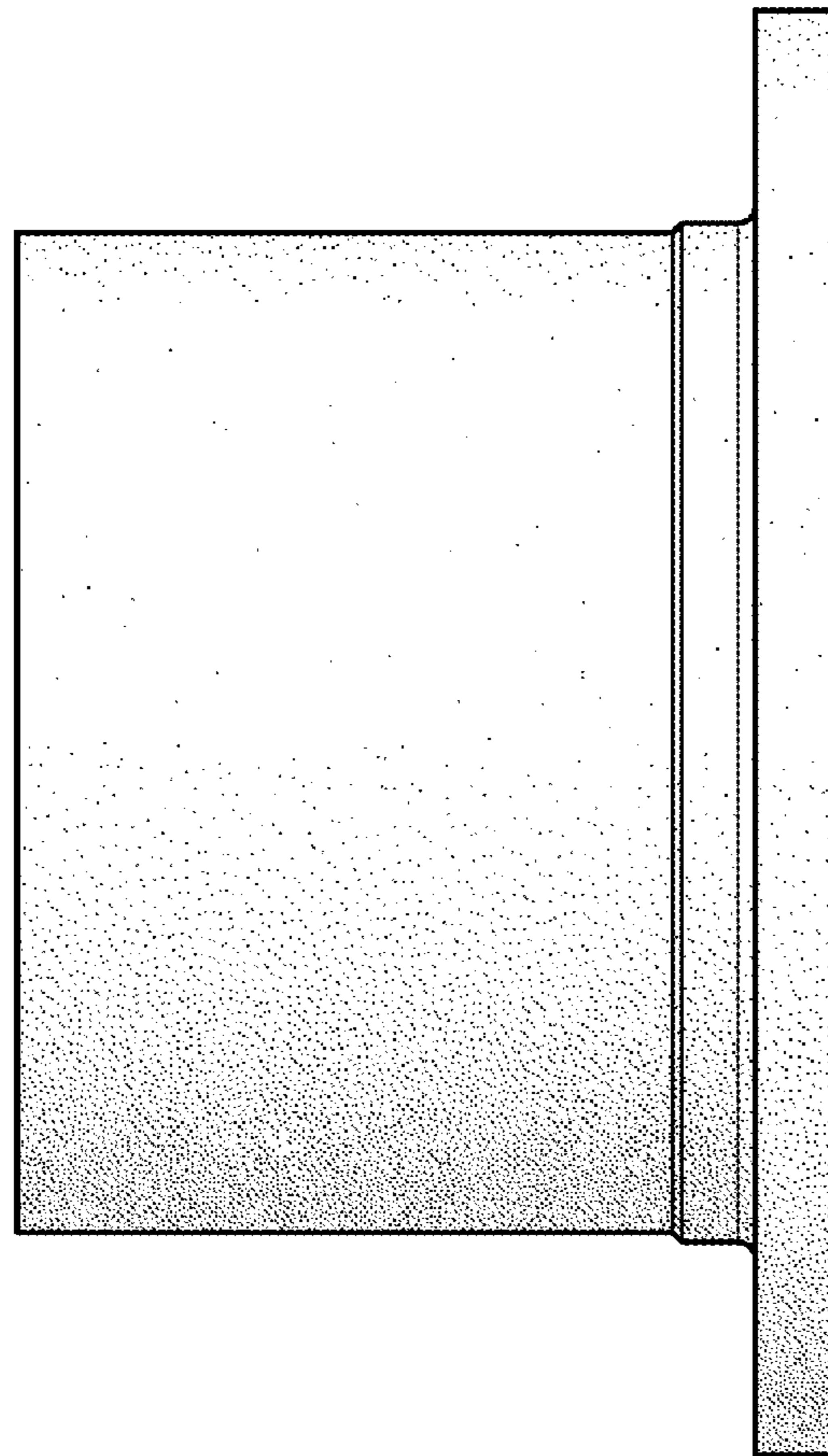


FIG. 6

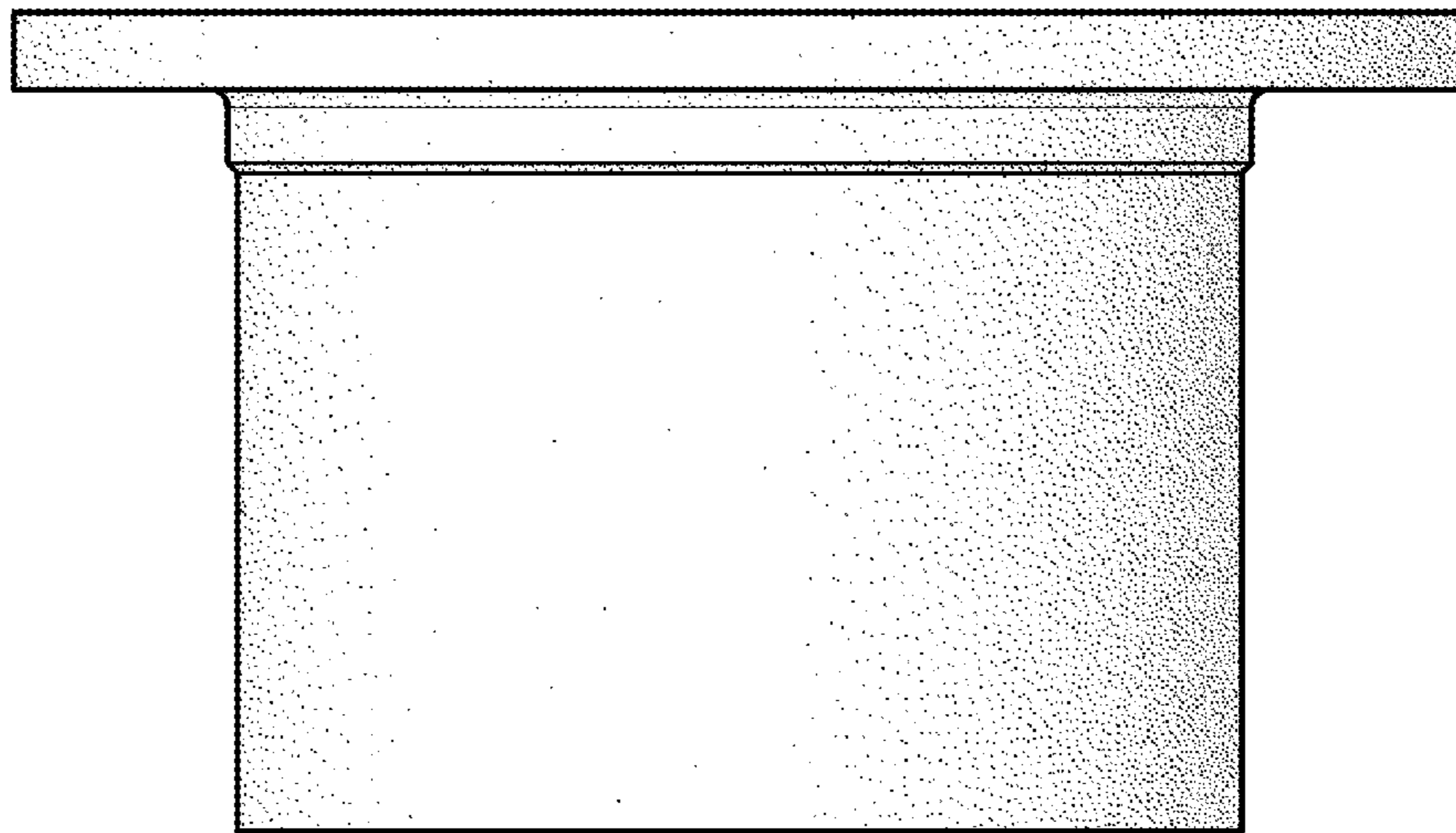


FIG. 7