



US00D711444S

(12) **United States Design Patent**  
**Sällström et al.**

(10) **Patent No.:** **US D711,444 S**  
(45) **Date of Patent:** **\*\* Aug. 19, 2014**

(54) **FLUID DISTRIBUTION FEEDER**

FOREIGN PATENT DOCUMENTS

(75) Inventors: **Jan Sällström**, Gunnarskog (SE); **Paul David Jeffs**, Warwickshire (GB)

DE	196 42 838	A1	7/1997
DE	201 12 425	U1	11/2001
DE	20 004009 367	U1	8/2004
DE	20 2004021109	U1	10/2006
EP	1 184 104	B1	12/2004
EP	1 567 294	B1	5/2006
EP	1 879 710	B1	3/2009
EP	1 732 719	B1	7/2009
EP	2 489 450	A1	8/2012
WO	WO 2005/051568	A1	6/2005
WO	WO 2007/141466	A1	12/2007

(73) Assignee: **Foseco International Limited**, Derbyshire (GB)

(\*\*) Term: **14 Years**

(21) Appl. No.: **29/430,164**

(22) Filed: **Aug. 22, 2012**

(30) **Foreign Application Priority Data**

Jul. 26, 2012 (EM) ..... 002079871-0001

(51) **LOC (10) Cl.** ..... **15-09**

(52) **U.S. Cl.**  
USPC ..... **D15/144.2**

(58) **Field of Classification Search**  
USPC ..... D15/135, 136, 144, 144.1, 144.2  
See application file for complete search history.

(56) **References Cited**

U.S. PATENT DOCUMENTS

4,779,669	A *	10/1988	Corbett et al. ....	164/359
D582,950	S *	12/2008	Yamaguchi et al. ....	D15/144
7,500,509	B2	3/2009	Powell et al.	
8,430,150	B2 *	4/2013	Sallstrom et al. ....	164/359
2005/0236132	A1 *	10/2005	Powell et al. ....	164/244
2006/0000574	A1 *	1/2006	Skerdi et al. ....	164/360
2008/0169080	A1 *	7/2008	Lellig et al. ....	164/155.2
2008/0230201	A1 *	9/2008	Skerdi .....	164/359
2008/0265129	A1 *	10/2008	Skerdi .....	249/204
2009/0014482	A1	1/2009	Tackaberry et al.	
2012/0211192	A1 *	8/2012	Sallstrom et al. ....	164/359
2013/0306685	A1 *	11/2013	Sallstrom et al. ....	222/591

OTHER PUBLICATIONS

Substitute Specification of Co-pending U.S. Appl. No. 13/705,352, filed Dec. 5, 2012 (30 pgs).  
Specification of Co-pending U.S. Appl. No. 13/309,700, filed Dec. 2, 2011 (36 pgs).  
Extended European Search Report; Appln. No. EP 12250107.5—2122, dated Oct. 16, 2012 (7 pgs).

\* cited by examiner

*Primary Examiner* — Patricia Palasik  
(74) *Attorney, Agent, or Firm* — Nixon & Vanderhye, P.C.

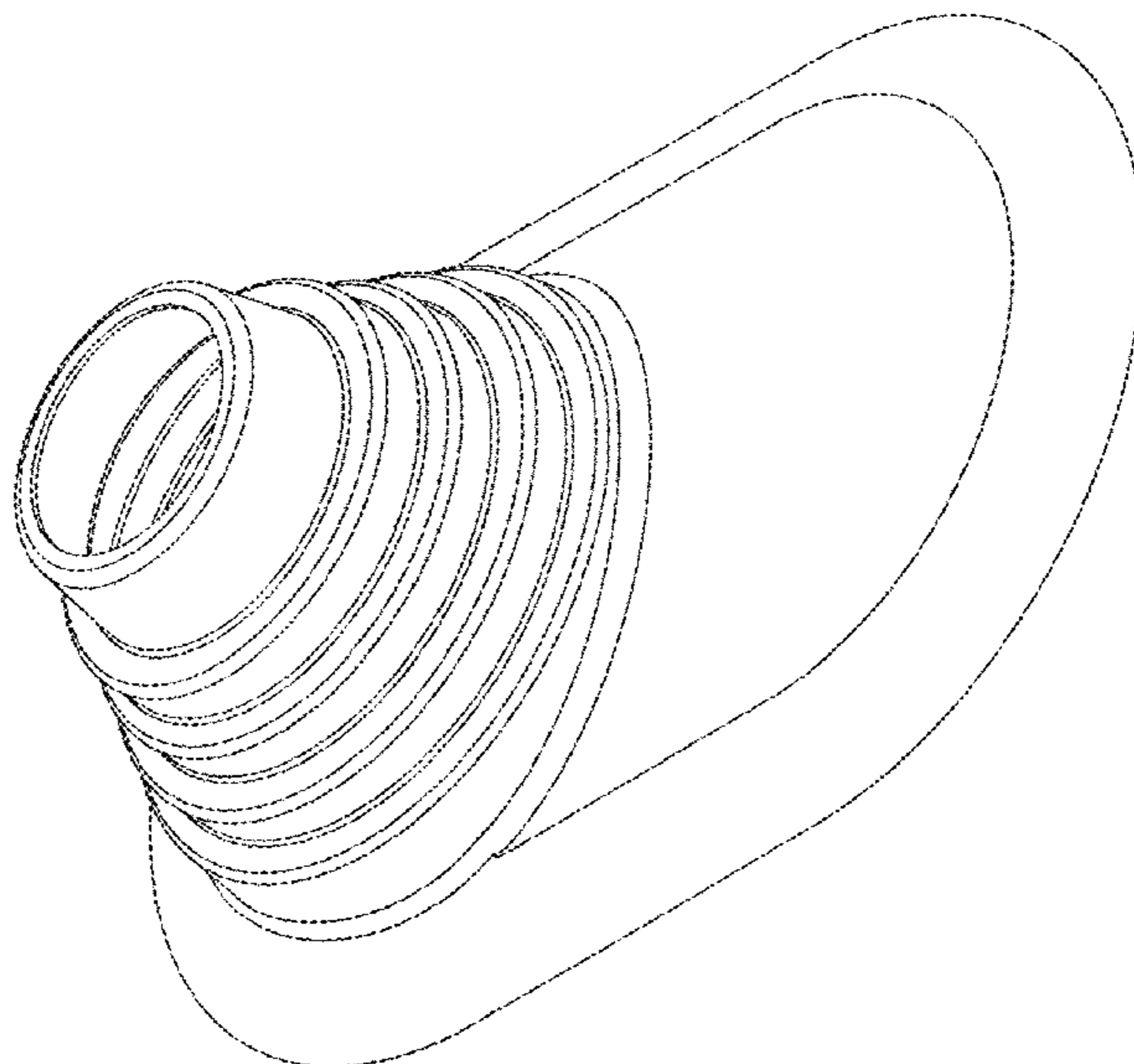
(57) **CLAIM**

The ornamental design for fluid distribution feeder, as shown and described.

**DESCRIPTION**

**1.1** is a top perspective view of the fluid distribution feeder  
**1.2** is a right side view of the fluid distribution feeder  
**1.3** is a left side view of the fluid distribution feeder  
**1.4** is a back view of the fluid distribution feeder  
**1.5** is a front view of the fluid distribution feeder  
**1.6** is a top plan view of the fluid distribution feeder; and,  
**1.7** is a bottom perspective view of the fluid distribution feeder.

**1 Claim, 7 Drawing Sheets**



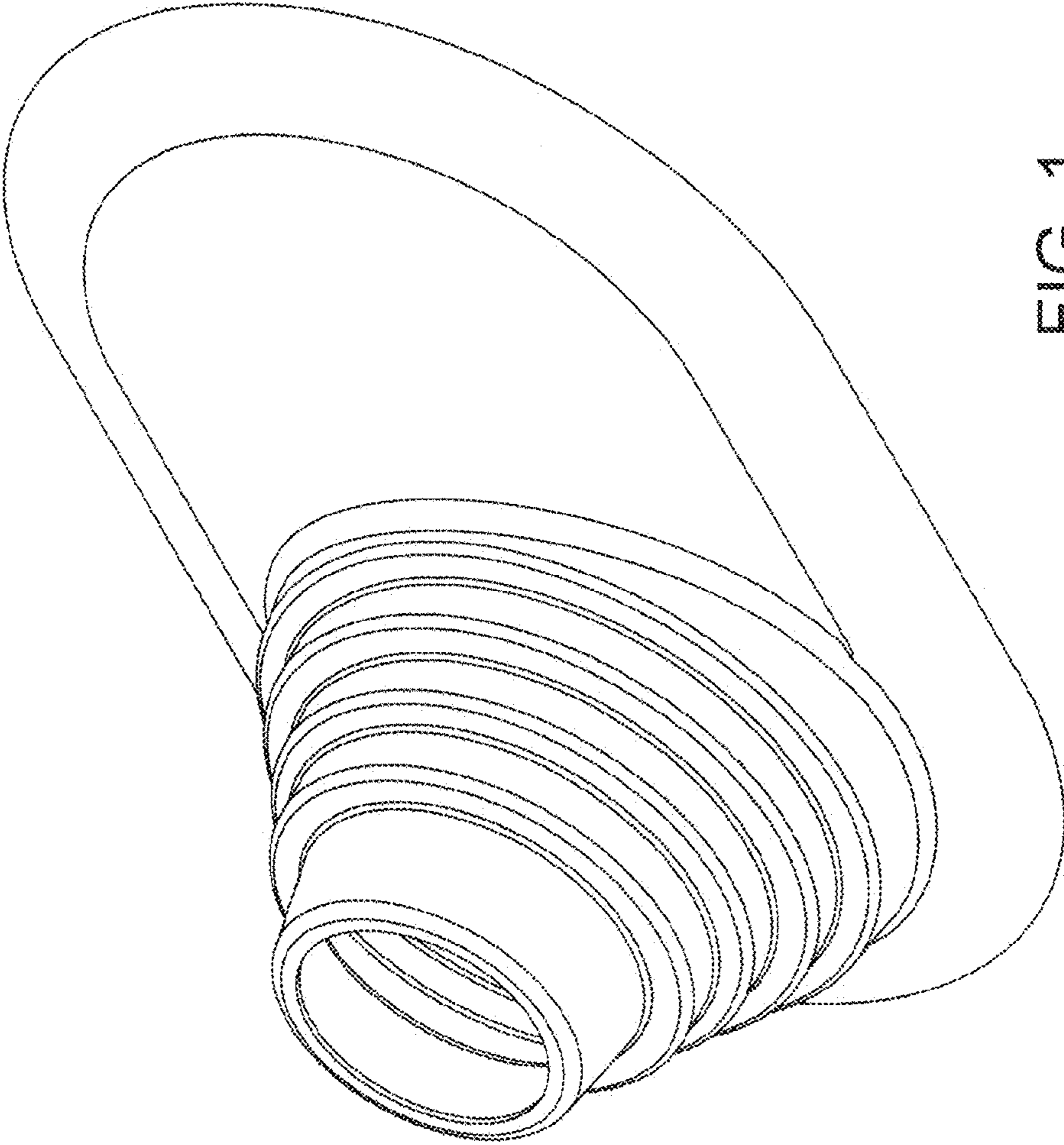


FIG. 1

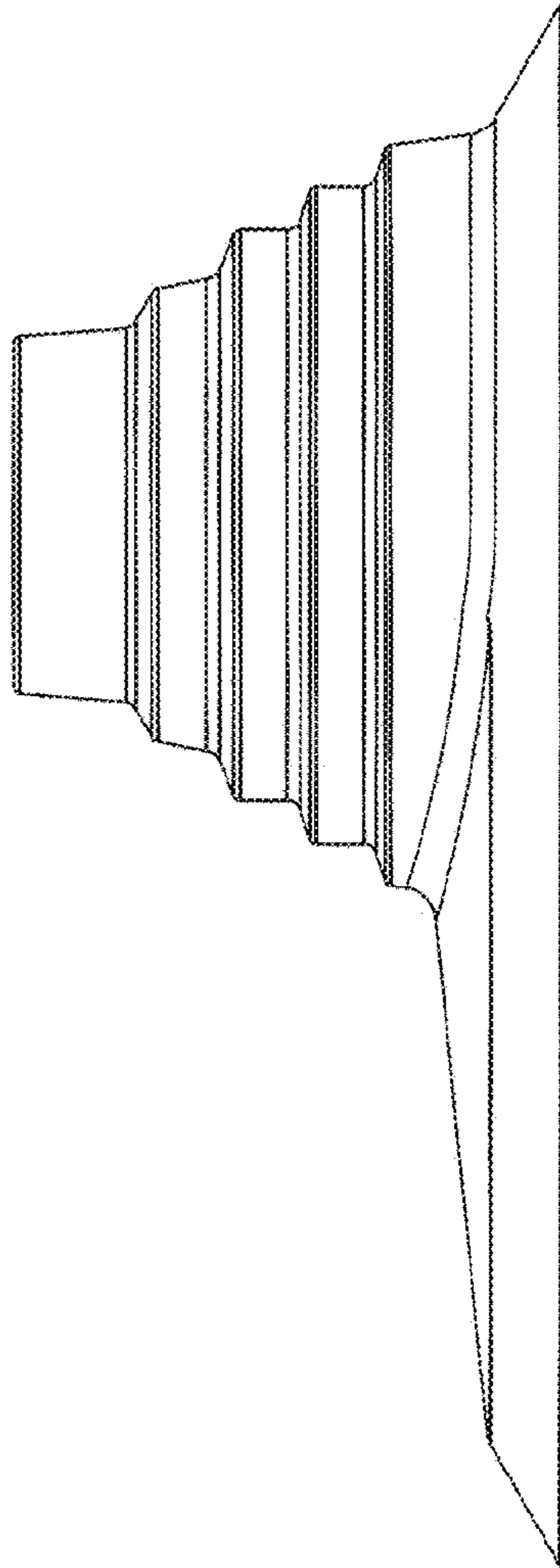


FIG. 2

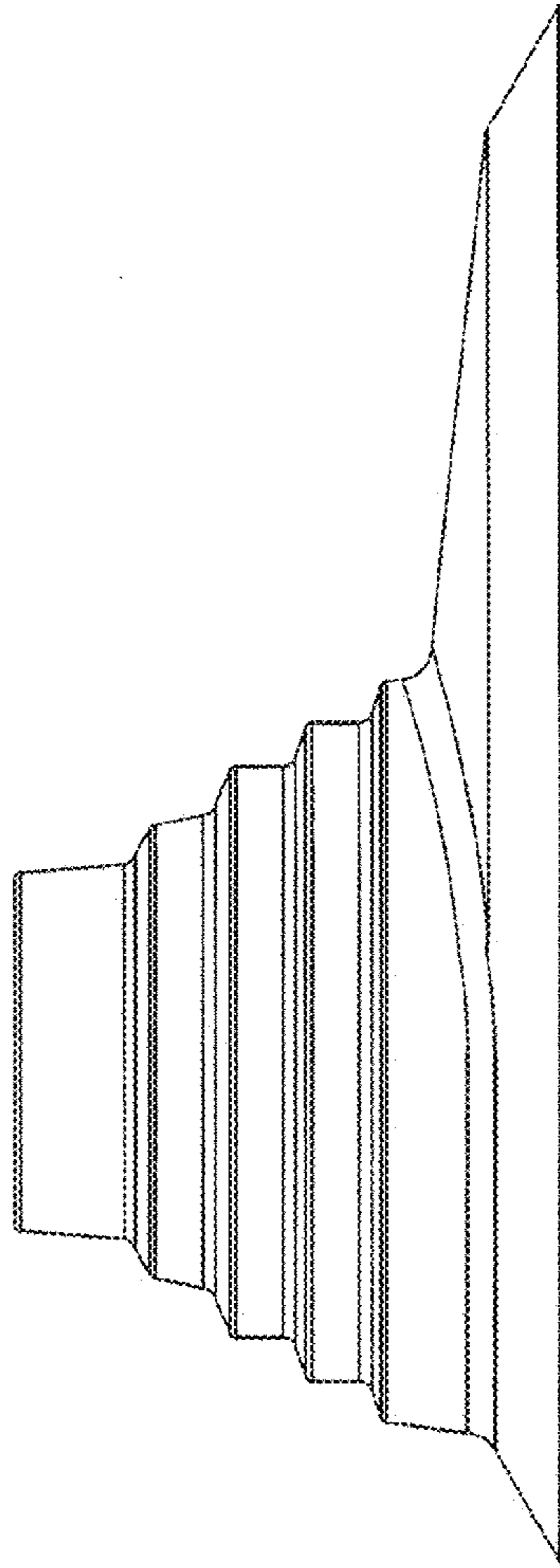


FIG. 3

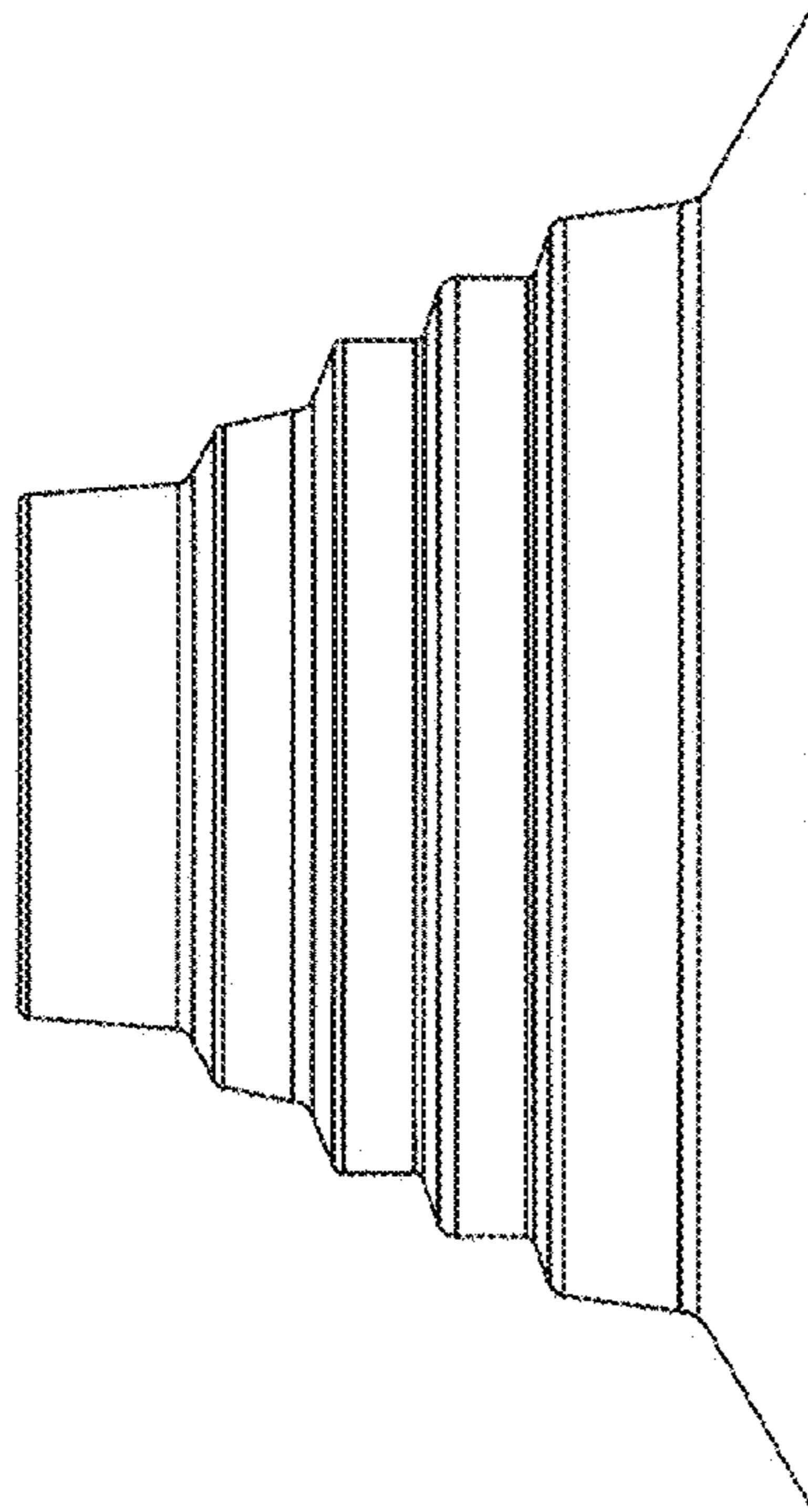


FIG. 4

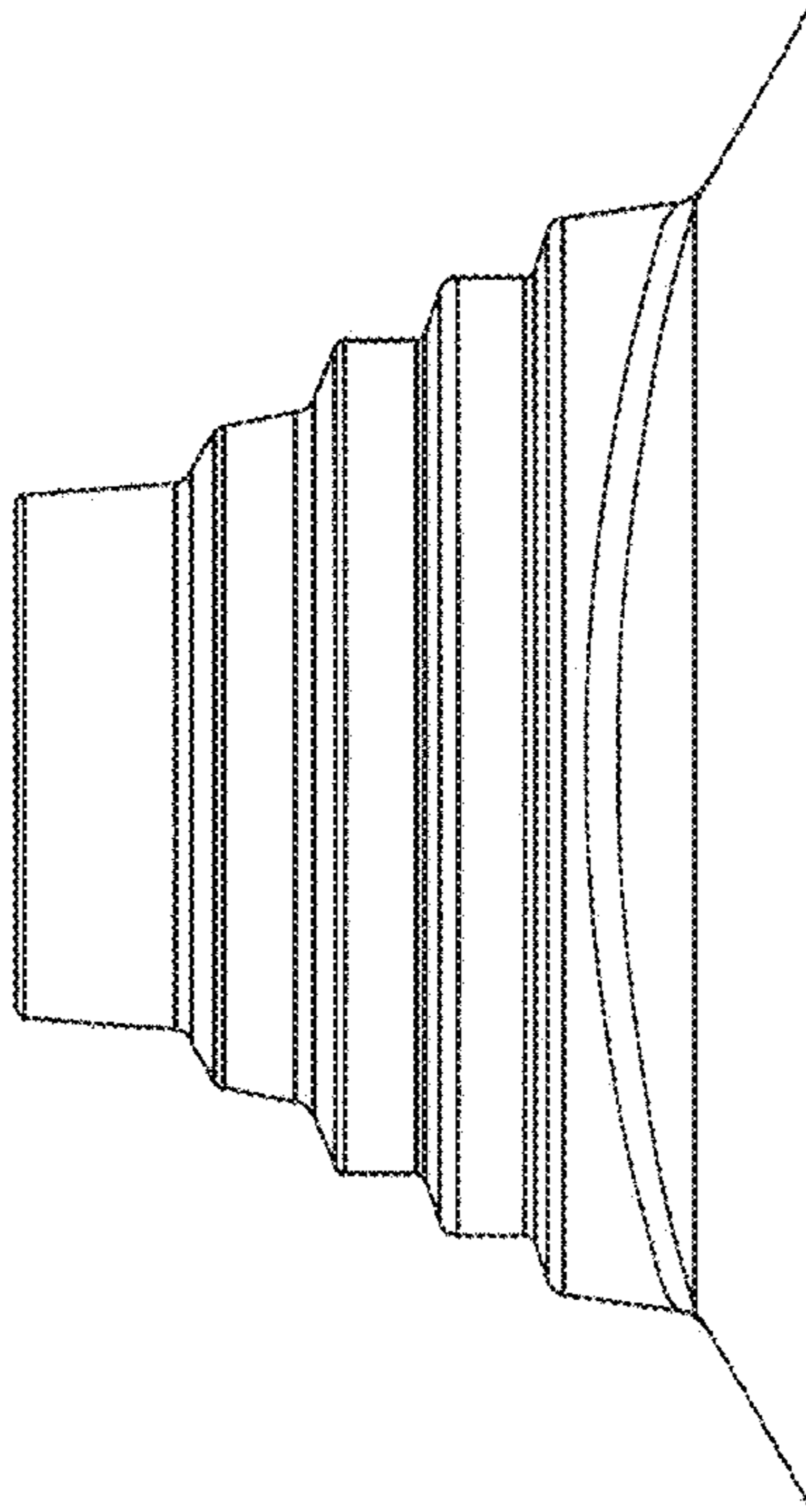


FIG. 5

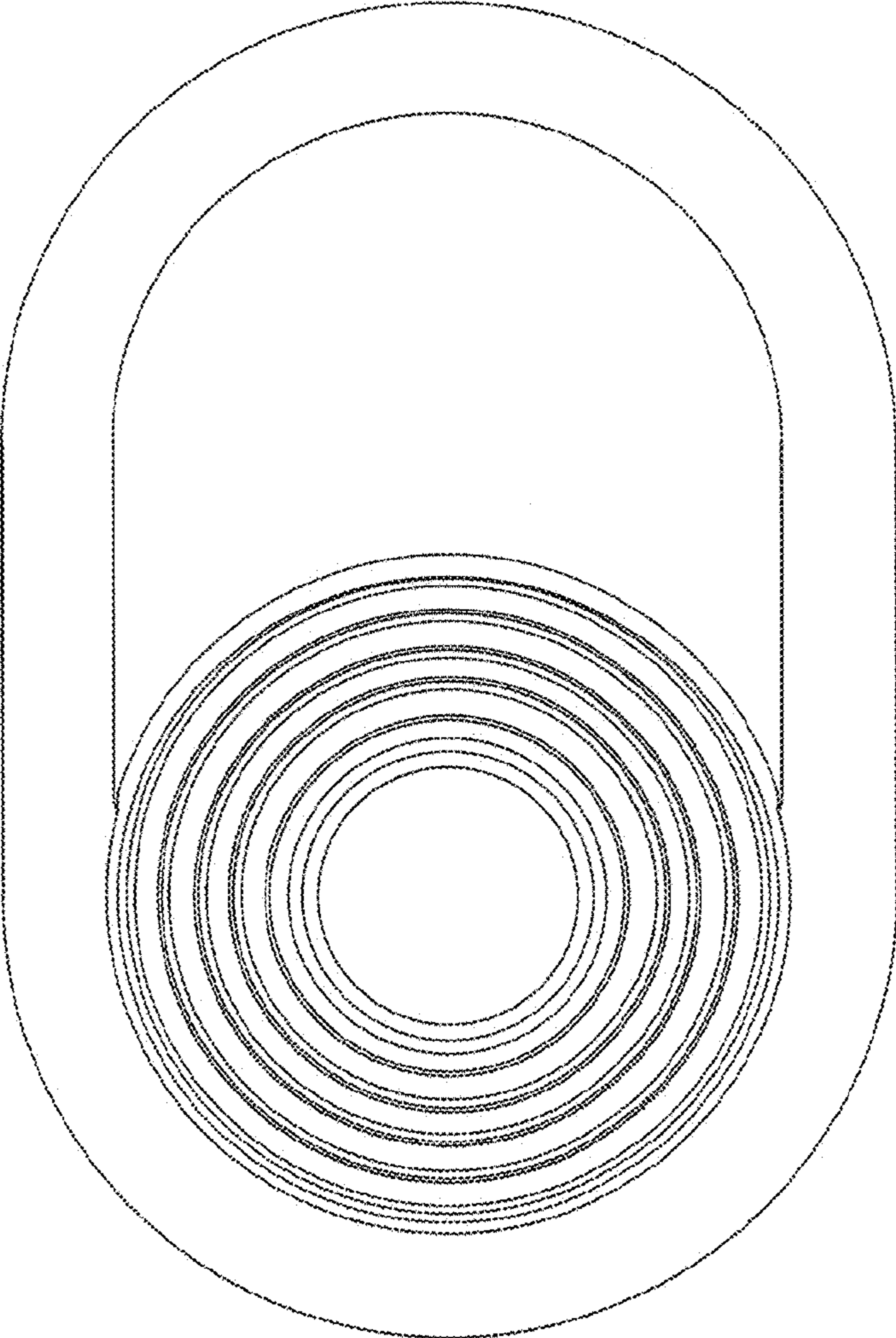


FIG. 6

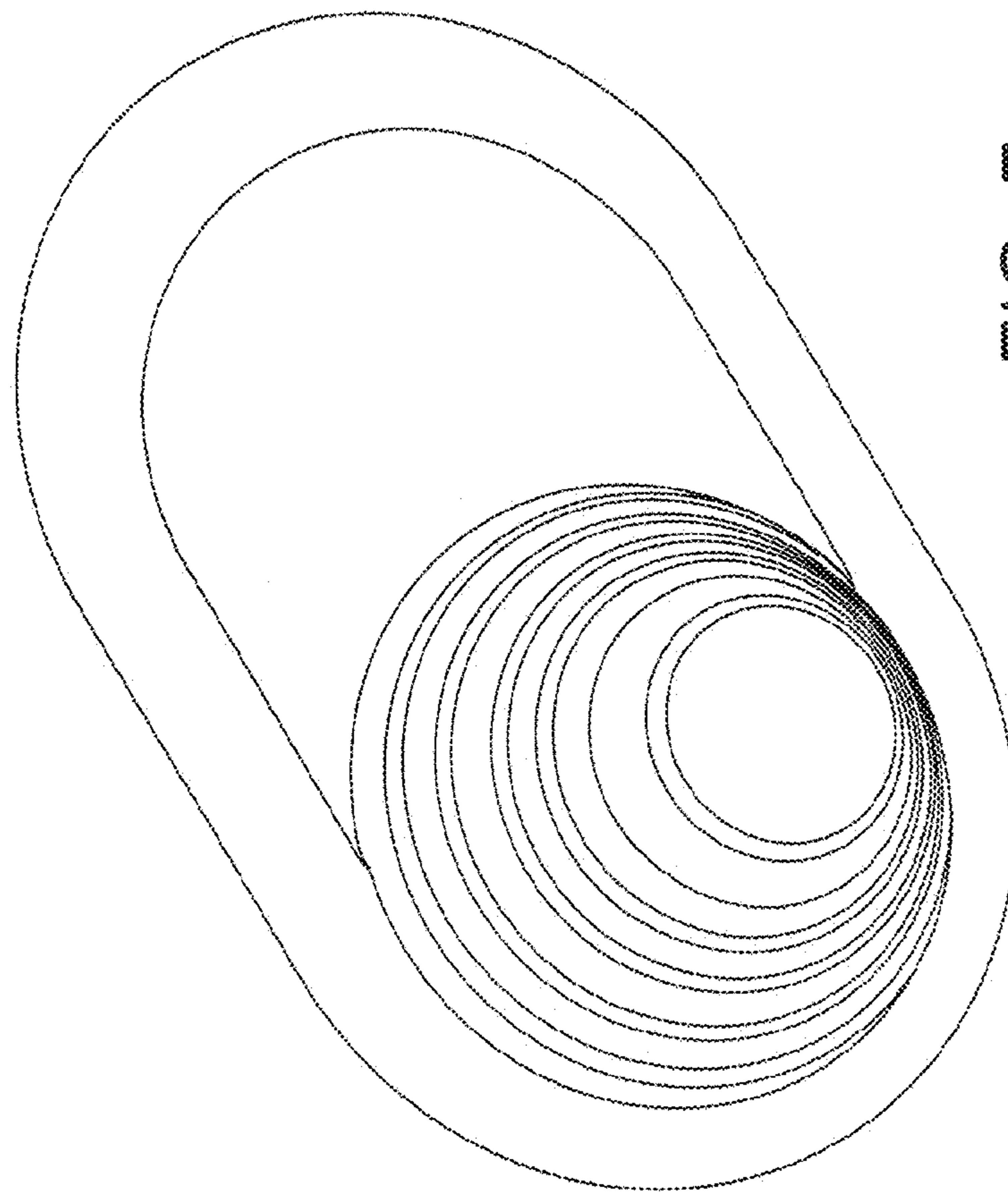


FIG. 7