



US00D711443S

(12) **United States Design Patent**
Brassel et al.

(10) **Patent No.:** **US D711,443 S**

(45) **Date of Patent:** **** *Aug. 19, 2014**

(54) **CHISEL HOLDER**

(71) Applicant: **Wirtgen GmbH**, Windhagen (DE)

(72) Inventors: **Dirk Brassel**, Windhagen (DE); **Thomas Lehnert**, Oberraden (DE); **Cyrus Barimani**, Koenigswinter (DE); **Günter Hähn**, Koenigswinter (DE)

(73) Assignee: **Wirtgen GmbH** (DE)

(*) Notice: This patent is subject to a terminal disclaimer.

(**) Term: **14 Years**

(21) Appl. No.: **29/479,230**

(22) Filed: **Jan. 14, 2014**

(30) **Foreign Application Priority Data**

Jul. 15, 2013 (EM) 002274407

(51) **LOC (10) Cl.** **15-09**

(52) **U.S. Cl.**
USPC **D15/140**

(58) **Field of Classification Search**
USPC D8/70-74; D15/131, 132, 138, 139,
D15/140; 206/349; 209/106; 299/102-103,
299/105, 106-110; 408/204; 411/82.2,
411/82.5, 257, 258, 901-903, 914, 916, 930
See application file for complete search history.

(56) **References Cited**

U.S. PATENT DOCUMENTS

7,300,115 B2 * 11/2007 Holl et al. 299/106
D574,689 S * 8/2008 Holl et al. D8/71

D575,610 S * 8/2008 Holl et al. D8/71
D585,259 S * 1/2009 Holl et al. D8/71
7,537,288 B2 * 5/2009 Chiang 299/102
D666,641 S * 9/2012 Buhr et al. D15/140
D666,643 S * 9/2012 Buhr et al. D15/140
D667,856 S * 9/2012 Kammerer et al. D15/140
D671,578 S * 11/2012 Buhr et al. D15/140
D692,037 S * 10/2013 Buhr et al. D15/140
D692,040 S * 10/2013 Buhr et al. D15/140
2006/0119165 A1 * 6/2006 Holl et al. 299/106
2014/0117741 A1 * 5/2014 Lehnert et al. 299/81.1

OTHER PUBLICATIONS

Design U.S. Appl. No. 29/479,229 for "Chisel Holder" filed Jan. 14, 2014, 8 pp (not prior art).

* cited by examiner

Primary Examiner — Patricia Palasik

(74) *Attorney, Agent, or Firm* — Waddey & Patterson, P.C.;
Lucian Wayne Beavers

(57) **CLAIM**

What is claimed is the ornamental design for a chisel holder, as shown and described.

DESCRIPTION

FIG. 1 is right side elevation view of the chisel holder.
FIG. 2 is top view of the chisel holder of FIG. 1.
FIG. 3 is a left side elevation view of the chisel holder of FIG. 1.
FIG. 4 is a front elevation view of the chisel holder of FIG. 1.
FIG. 5 is a rear elevation view of the chisel holder of FIG. 1; and,
FIG. 6 is a bottom view of the chisel holder of FIG. 1.

1 Claim, 6 Drawing Sheets

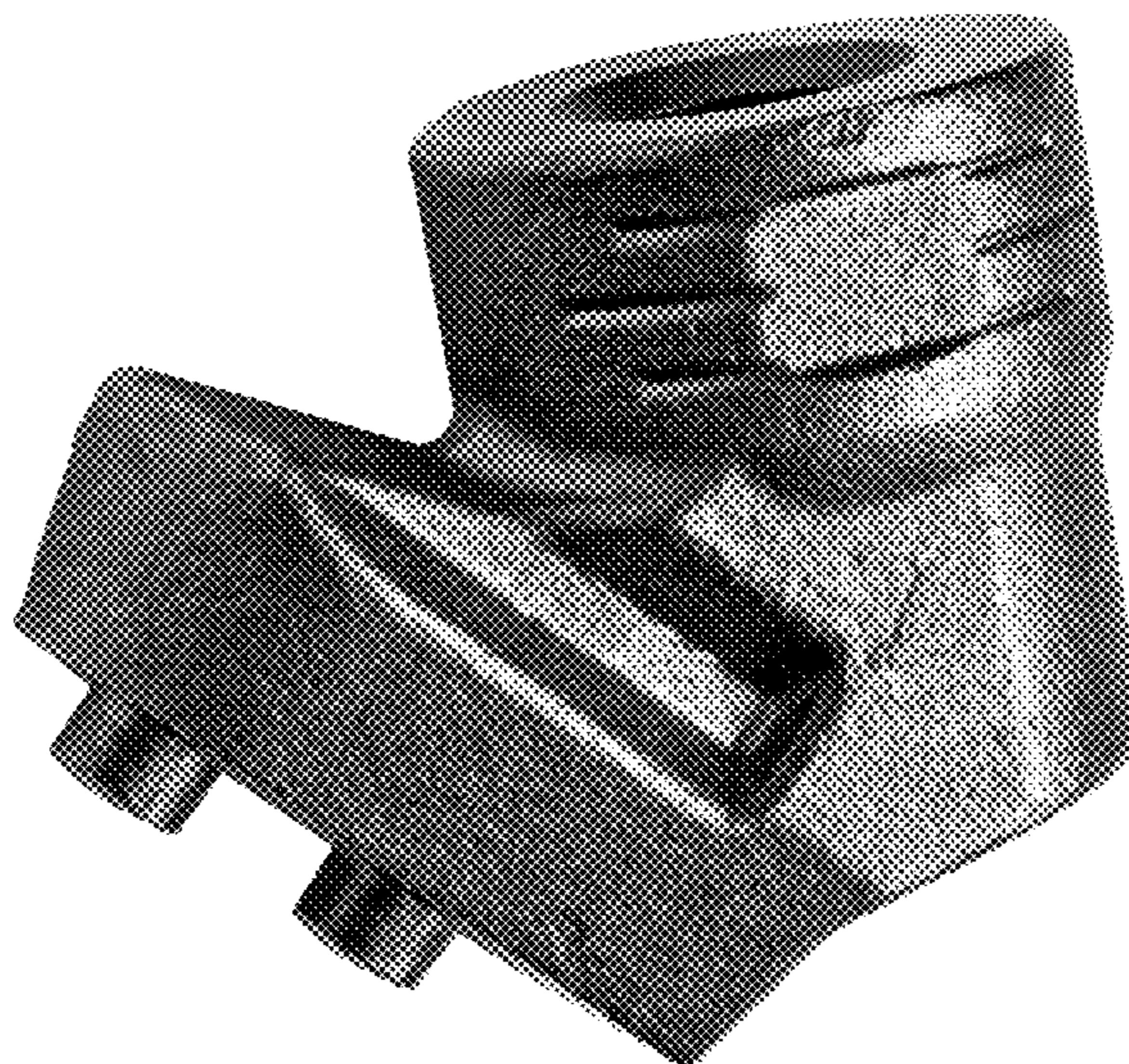




FIG. 1



FIG. 2

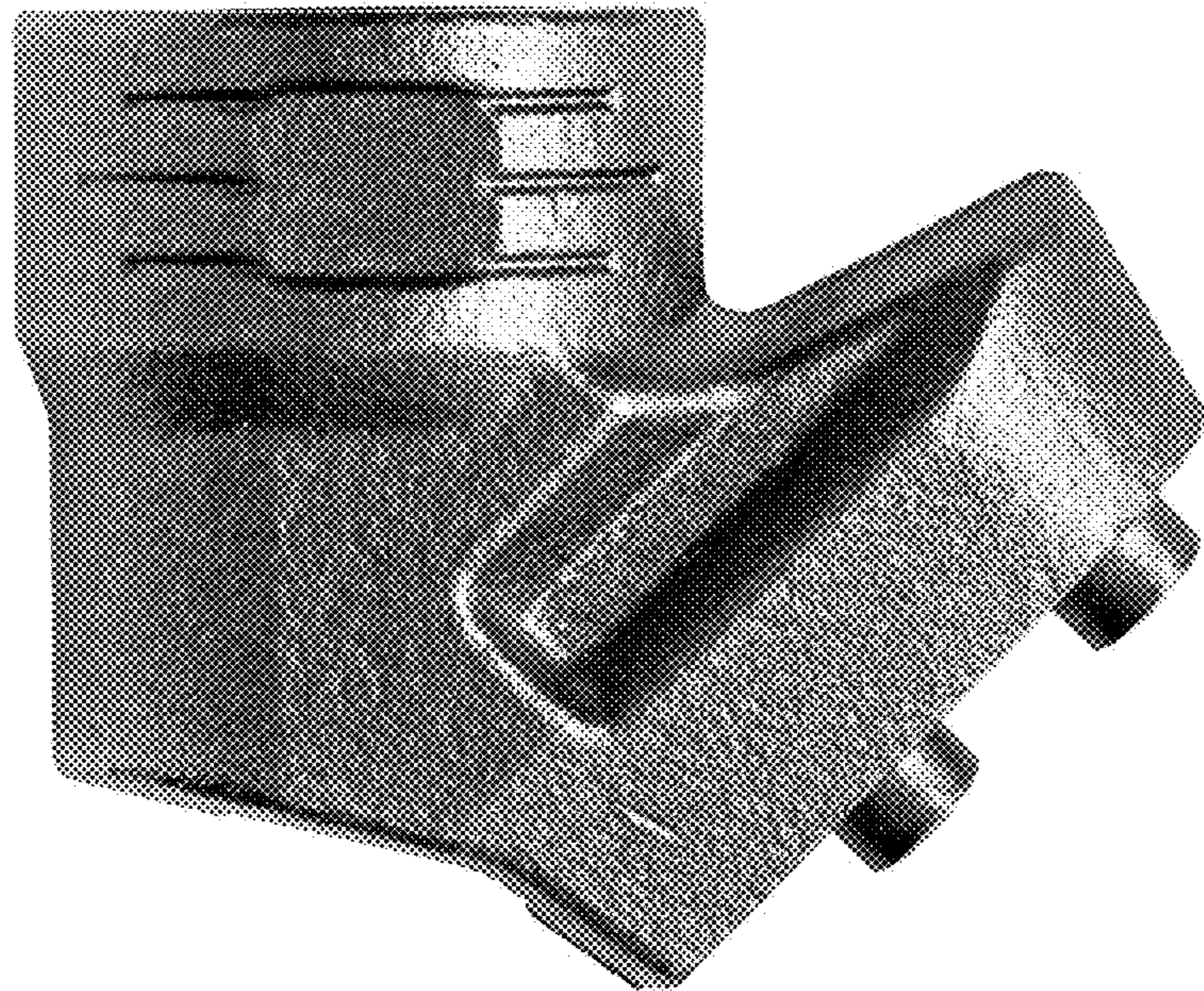


FIG. 3

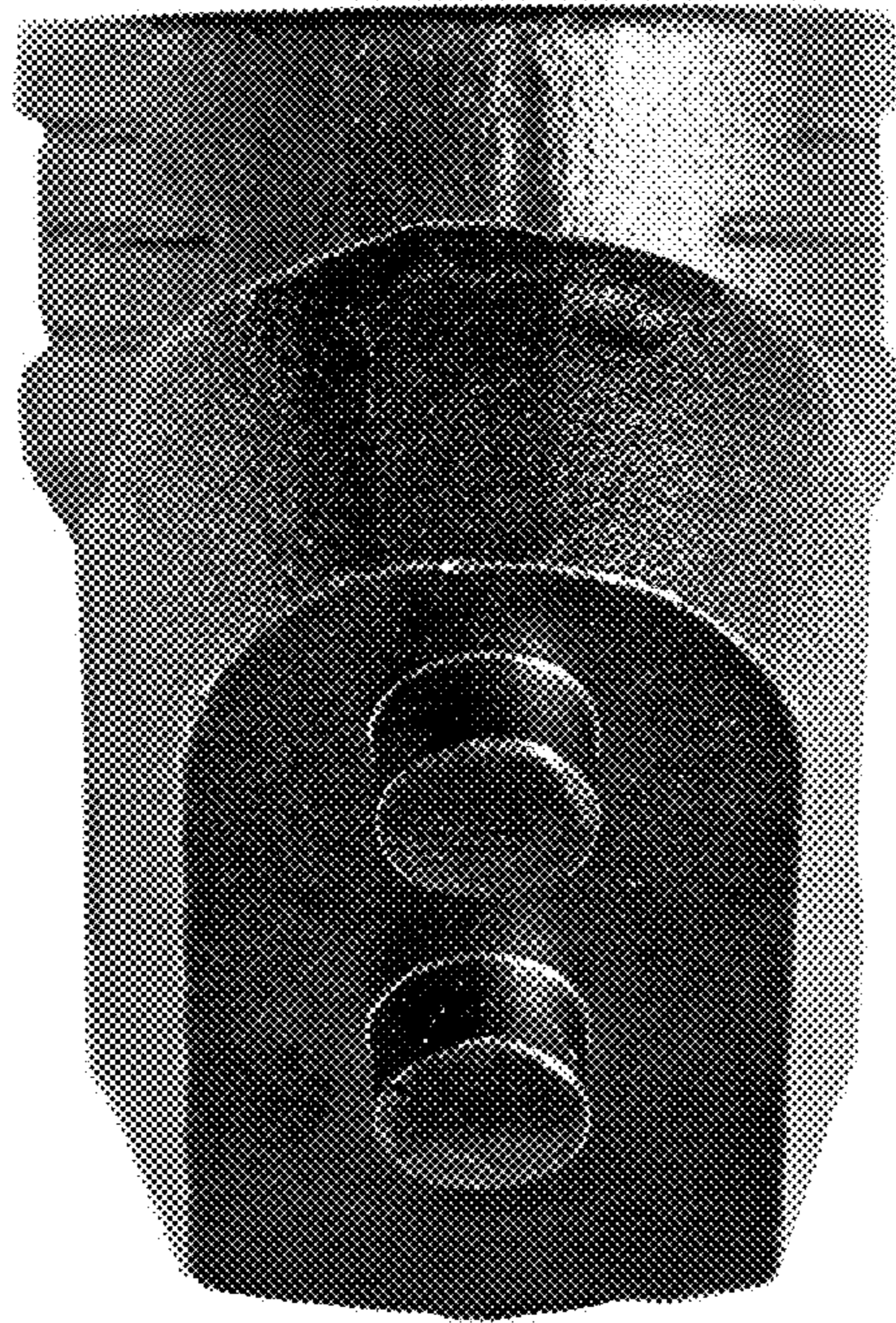


FIG. 4

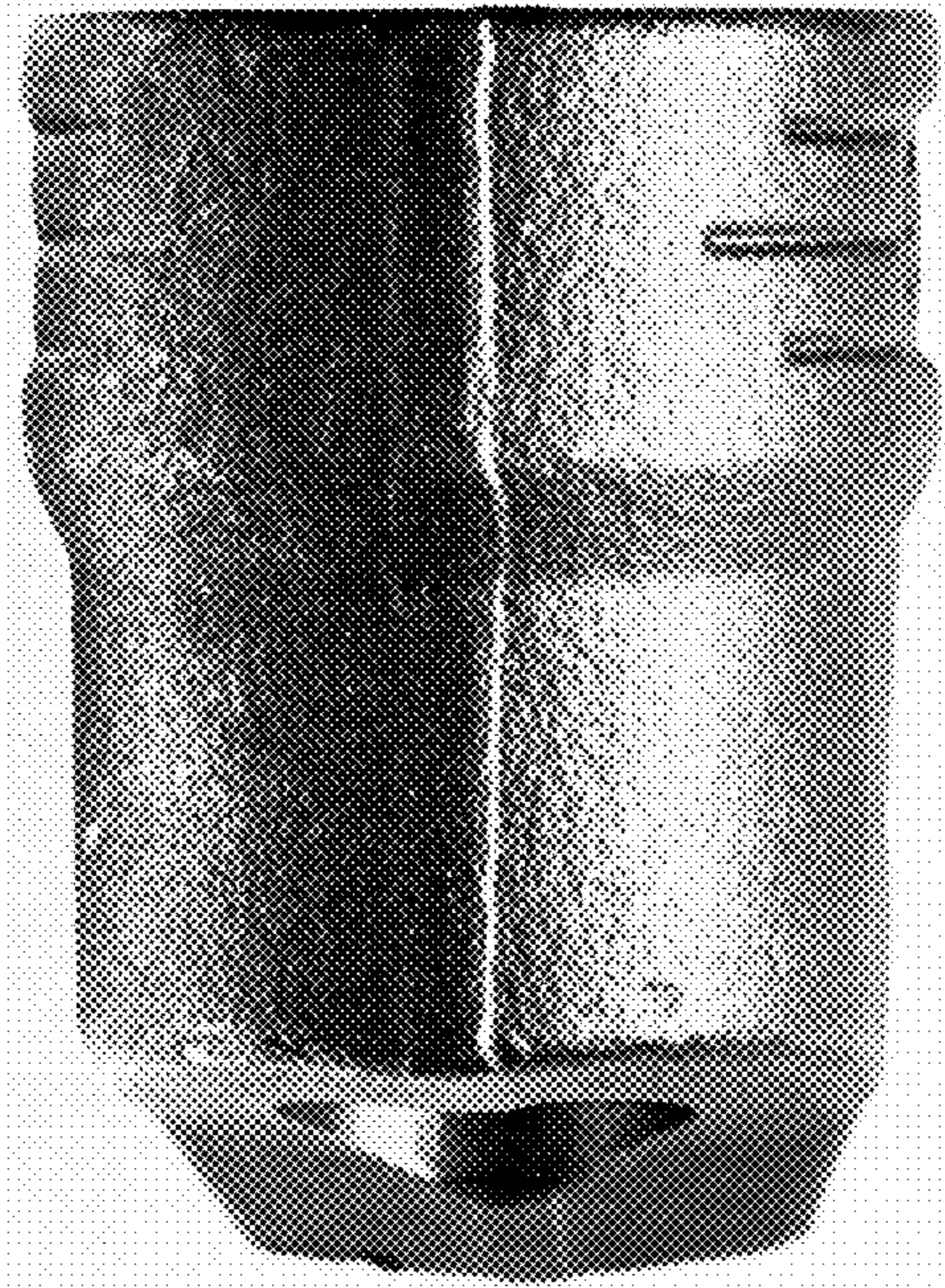


FIG. 5

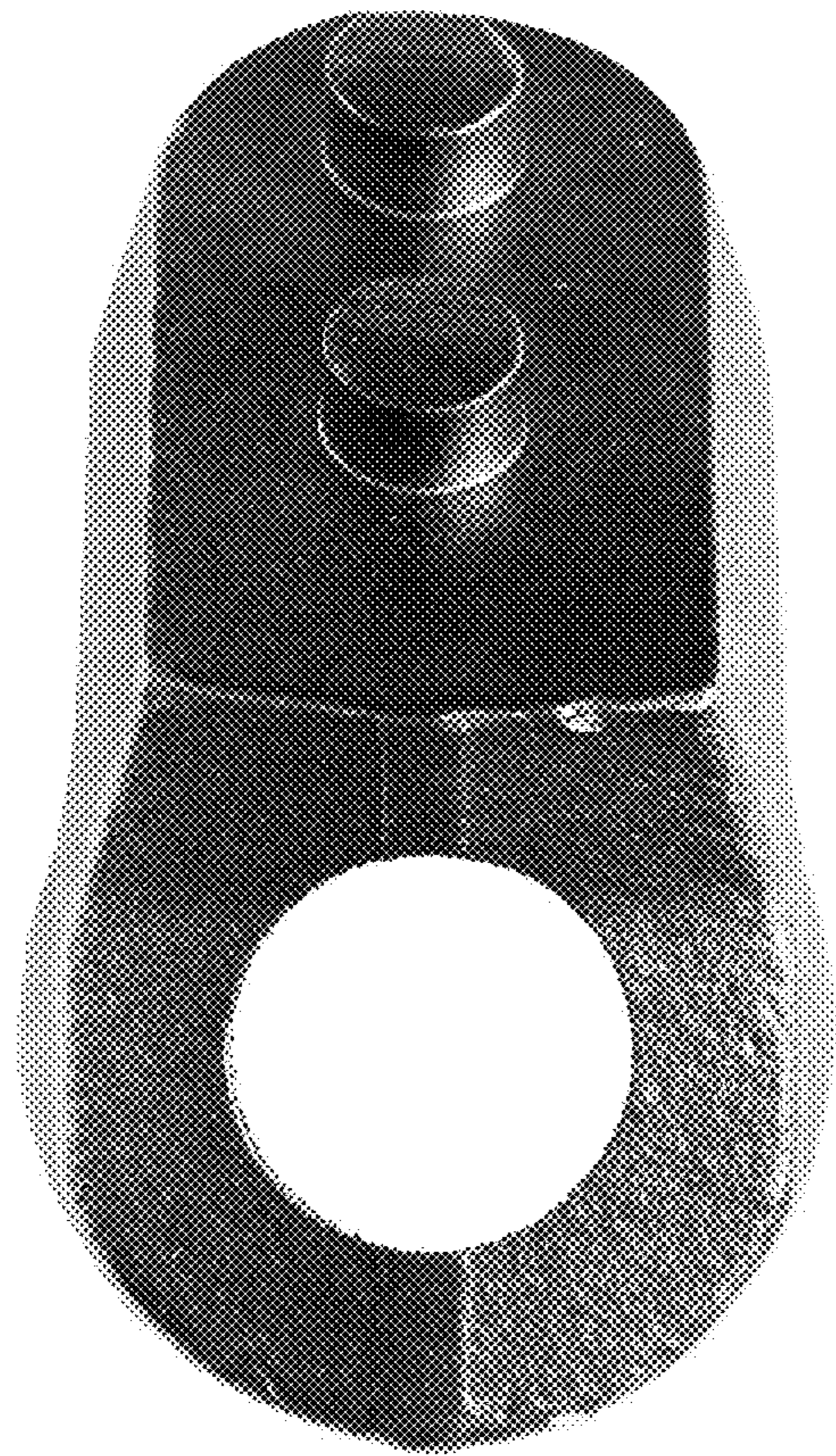


FIG. 6