



US00D711442S

(12) **United States Design Patent**  
**Brassel et al.**

(10) **Patent No.:** **US D711,442 S**

(45) **Date of Patent:** **\*\* Aug. 19, 2014**

(54) **CHISEL HOLDER**

(71) Applicant: **Wirtgen GmbH**, Windhagen (DE)

(72) Inventors: **Dirk Brassel**, Windhagen (DE); **Thomas Lehnert**, Oberraden (DE); **Cyrus Barimani**, Koenigswinter (DE); **Günter Hähn**, Koenigswinter (DE)

(73) Assignee: **Wirtgen GmbH** (DE)

(\*\*) Term: **14 Years**

(21) Appl. No.: **29/479,229**

(22) Filed: **Jan. 14, 2014**

(30) **Foreign Application Priority Data**

Jul. 15, 2013 (EM) ..... 002274407

(51) **LOC (10) Cl.** ..... **15-09**

(52) **U.S. Cl.**  
USPC ..... **D15/140**

(58) **Field of Classification Search**

USPC ..... D8/70-74; D15/131, 132, 138, 139,  
D15/140; 206/349; 209/106; 299/102-103,  
299/105, 106-110; 408/204; 411/82.2,  
411/82.5, 257, 258, 901-903, 914, 916, 930  
See application file for complete search history.

(56) **References Cited**

**U.S. PATENT DOCUMENTS**

7,300,115 B2 \* 11/2007 Holl et al. .... 299/106  
D574,689 S \* 8/2008 Holl et al. .... D8/71  
D575,610 S \* 8/2008 Holl et al. .... D8/71  
D585,259 S \* 1/2009 Holl et al. .... D8/71

7,537,288 B2 \* 5/2009 Chiang ..... 299/102  
D666,641 S \* 9/2012 Buhr et al. .... D15/140  
D666,643 S \* 9/2012 Buhr et al. .... D15/140  
D667,856 S \* 9/2012 Kammerer et al. .... D15/140  
D671,578 S \* 11/2012 Buhr et al. .... D15/140  
D692,037 S \* 10/2013 Buhr et al. .... D15/140  
D692,040 S \* 10/2013 Buhr et al. .... D15/140  
2006/0119165 A1 \* 6/2006 Holl et al. .... 299/106  
2014/0117741 A1 \* 5/2014 Lehnert et al. .... 299/81.1

**OTHER PUBLICATIONS**

Design U.S. Appl. No. 29/479,230 for "Chisel Holder", filed Jan. 14, 2014, 8 pages (not prior art).

\* cited by examiner

*Primary Examiner* — Patricia Palasik

(74) *Attorney, Agent, or Firm* — Waddey & Patterson, P.C.;  
Lucian Wayne Beavers

(57) **CLAIM**

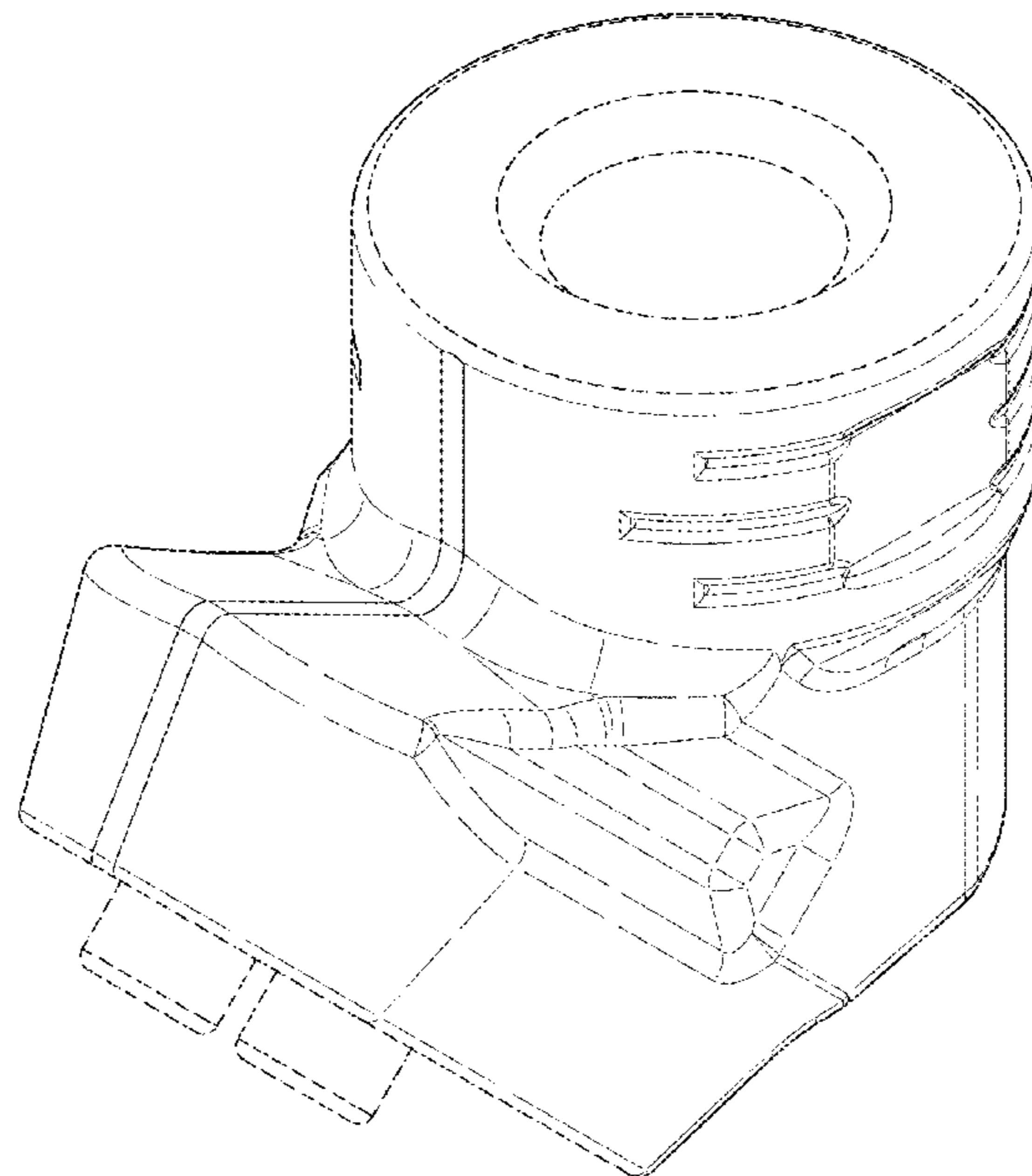
What is claimed is the ornamental design for a chisel holder, as shown and described.

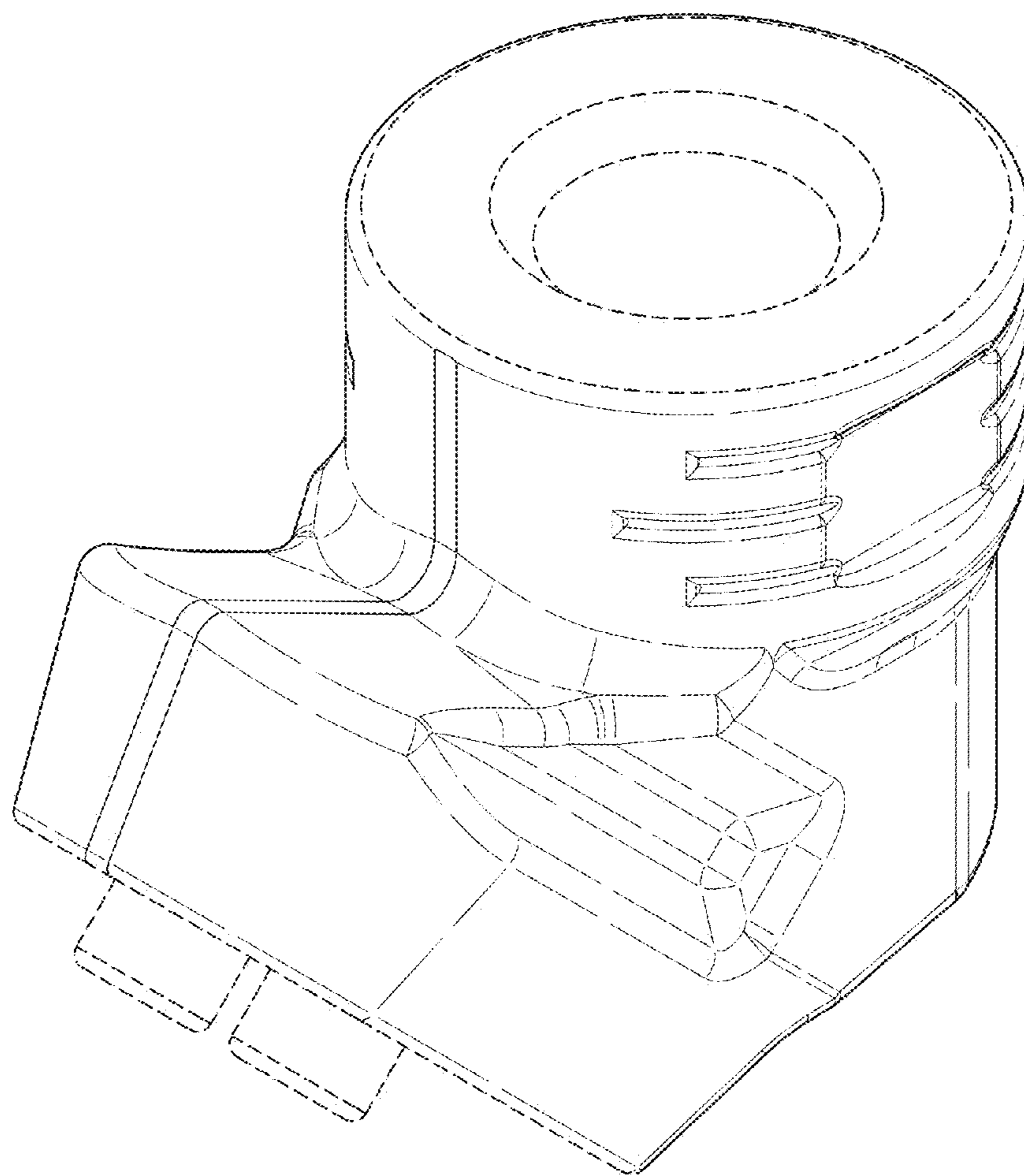
**DESCRIPTION**

FIG. 1 is right side perspective view of the chisel holder. FIG. 2 is front elevation view of the chisel holder of FIG. 1. FIG. 3 is a rear elevation view of the chisel holder of FIG. 1. FIG. 4 is a top view of the chisel holder of FIG. 1. FIG. 5 is a bottom view of the chisel holder of FIG. 1; and, FIG. 6 is a left side elevation view of the chisel holder of FIG. 1.

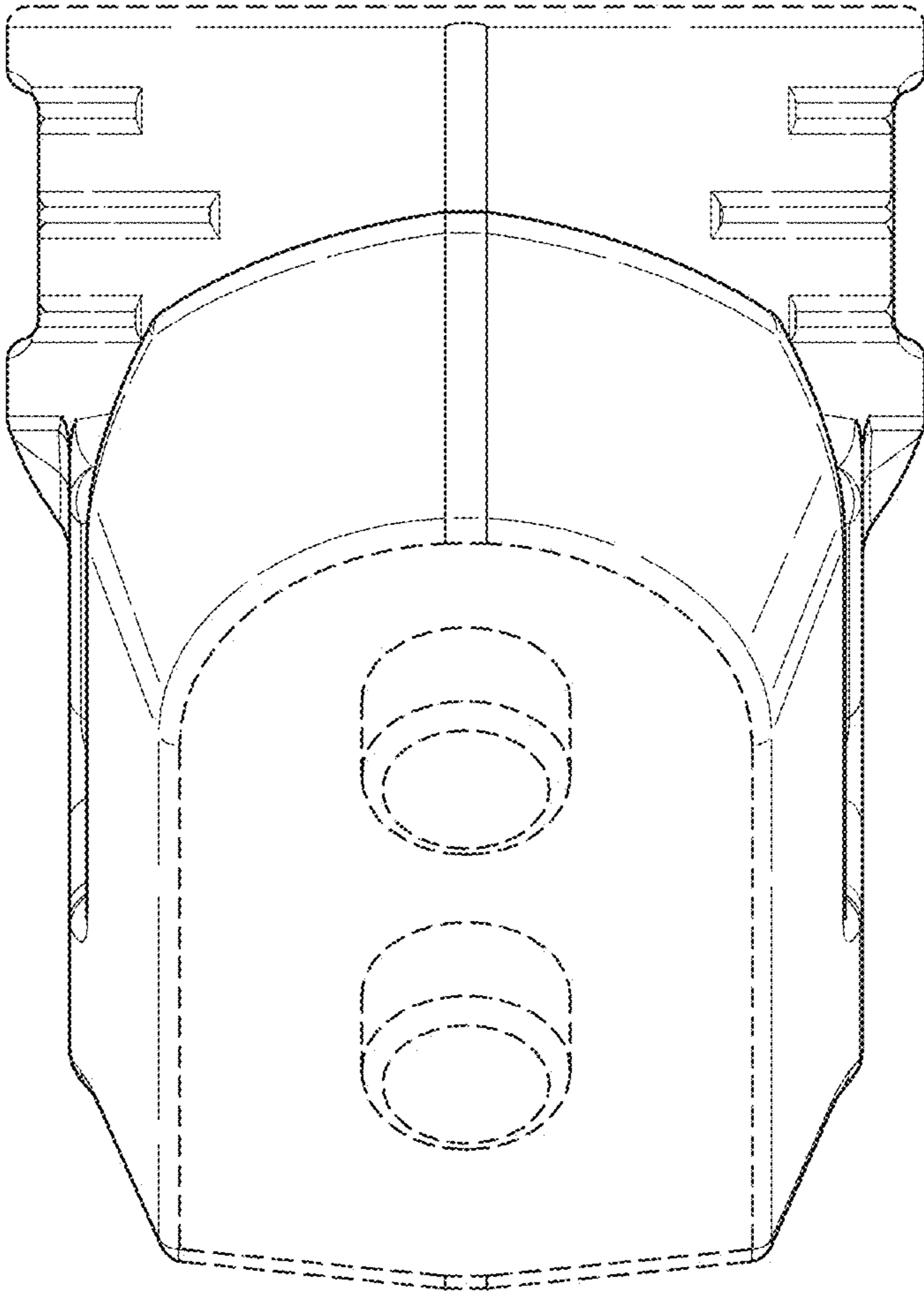
The dashed lines are shown for environmental purposes only and form no part of the claimed design.

**1 Claim, 6 Drawing Sheets**

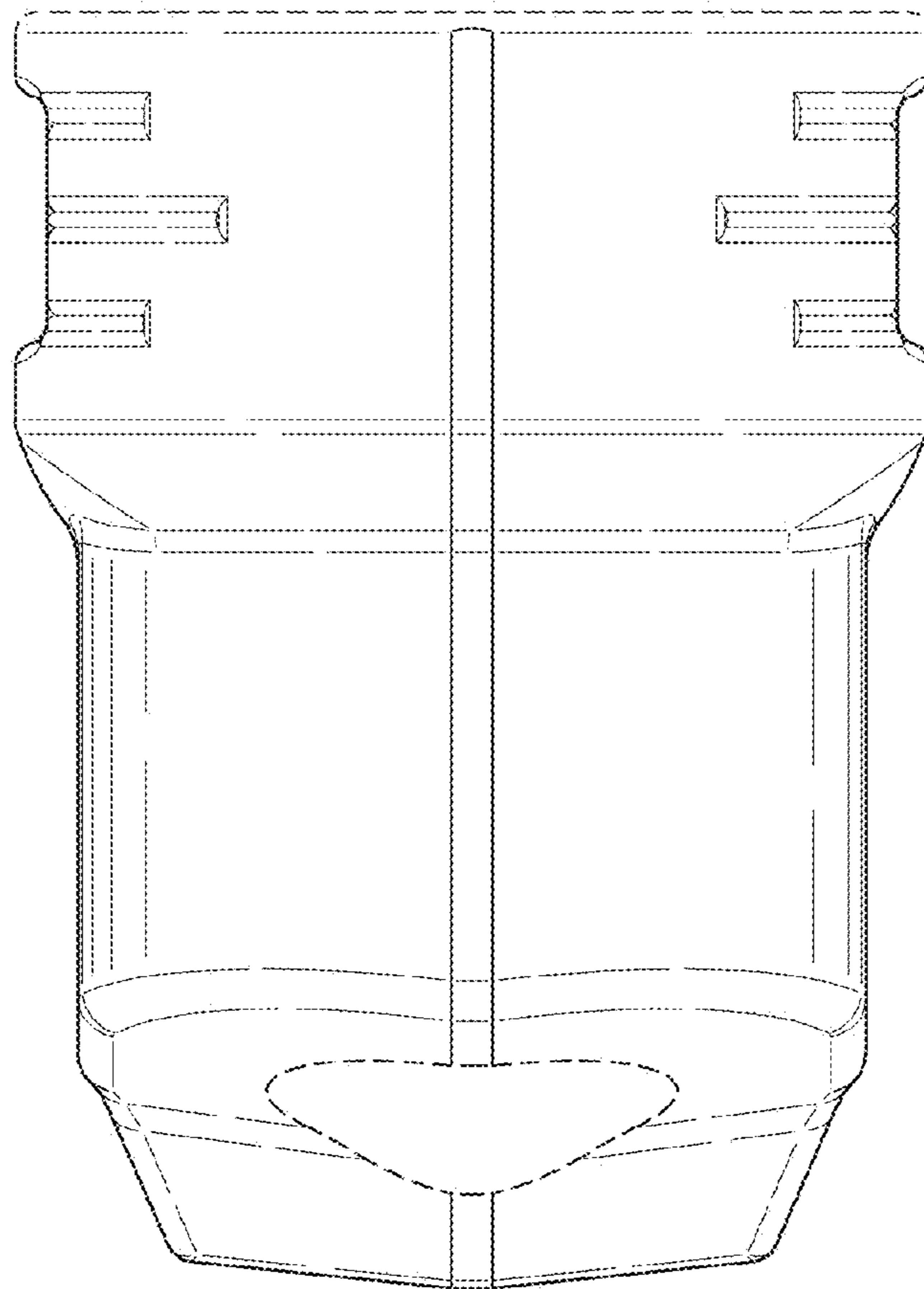




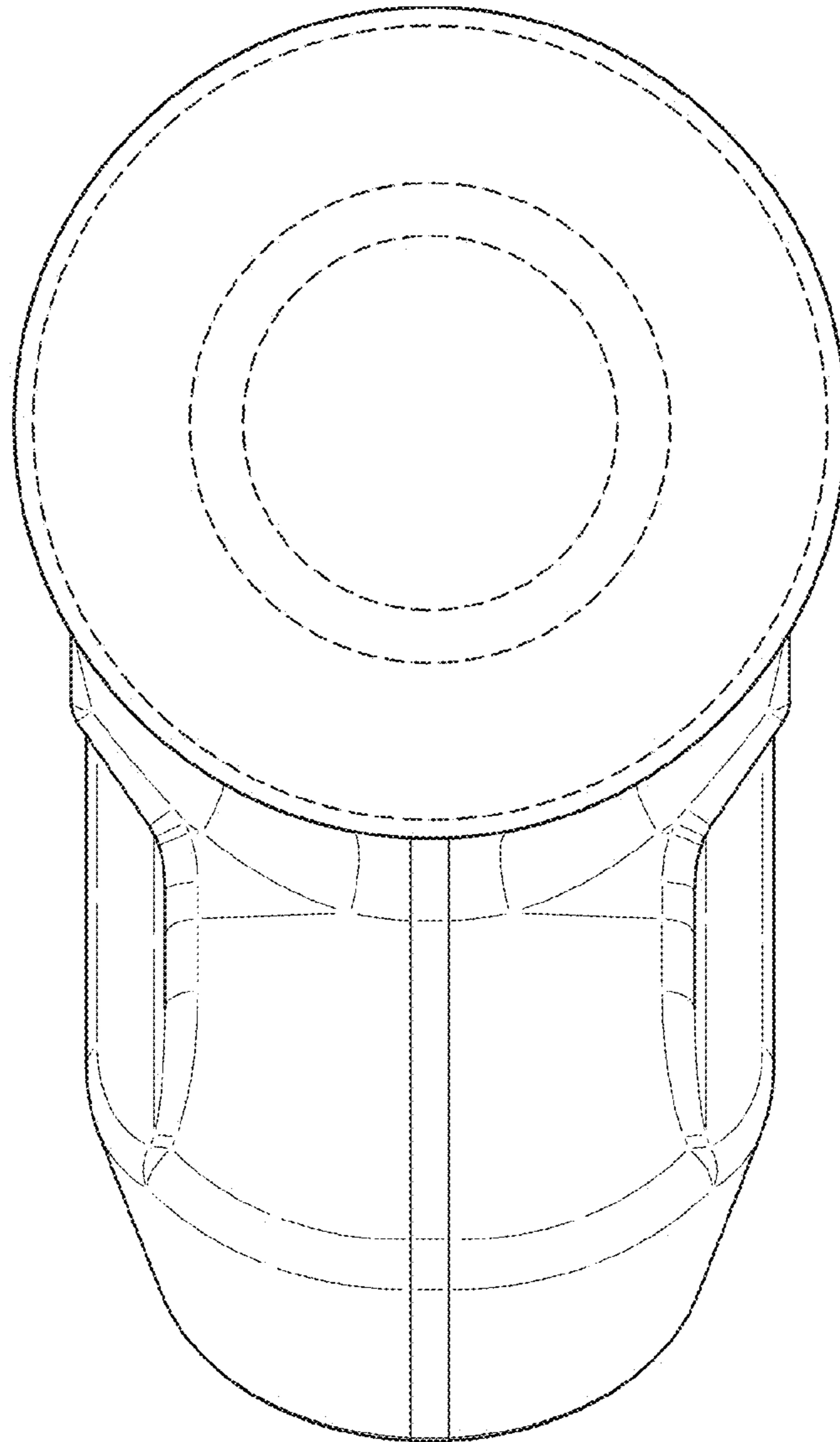
*FIG. 1*



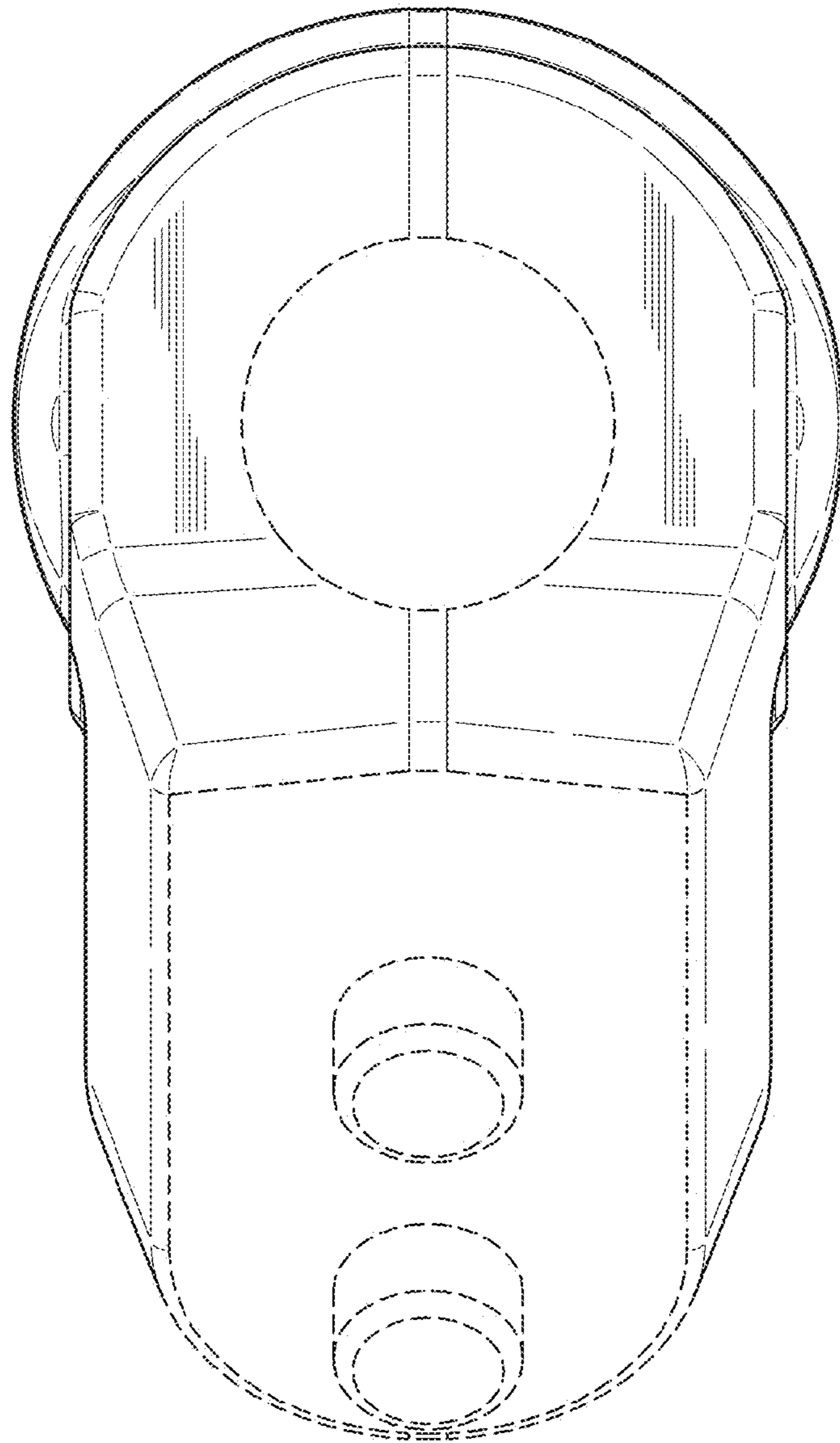
*FIG. 2*



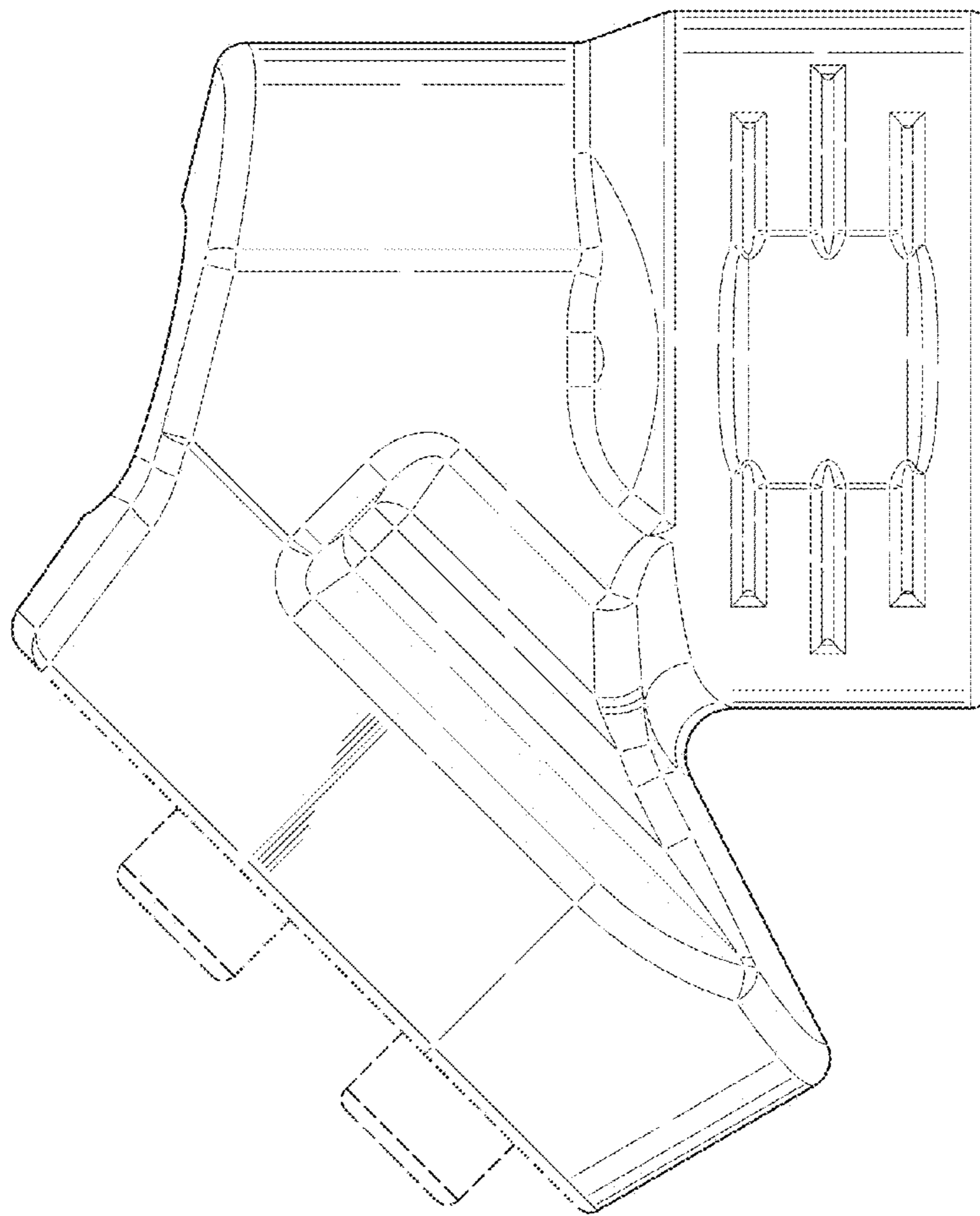
*FIG. 3*



*FIG. 4*



*FIG. 5*



*FIG. 6*