



US00D711438S

(12) **United States Design Patent**  
**Garg**

(10) **Patent No.:** **US D711,438 S**

(45) **Date of Patent:** **\*\* Aug. 19, 2014**

(54) **COLDNESS/HEAT PRESERVING CONTAINER**

(71) Applicant: **Innovation Thru Energy Co., Ltd,**  
Tokyo (JP)

(72) Inventor: **Pankaj Garg,** Tokyo (JP)

(73) Assignee: **Innovation Thru Energy Co., Ltd.,**  
Tokyo (JP)

(\*\*) Term: **14 Years**

(21) Appl. No.: **29/459,868**

(22) Filed: **Jul. 3, 2013**

(30) **Foreign Application Priority Data**

Jan. 10, 2013 (JP) ..... 2013-000341

(51) **LOC (10) Cl.** ..... **15-07**

(52) **U.S. Cl.**  
USPC ..... **D15/90**

(58) **Field of Classification Search**  
USPC ..... D15/90; 62/125, 457.1-457.9; 249/119,  
249/121; D7/605-607  
See application file for complete search history.

(56) **References Cited**

**U.S. PATENT DOCUMENTS**

4,804,083 A \* 2/1989 Weeks ..... 206/216  
D322,383 S \* 12/1991 Jones ..... D15/90

D336,595 S \* 6/1993 Jones ..... D15/90  
D351,532 S \* 10/1994 Wolfenden ..... D7/605  
D473,572 S \* 4/2003 Linberg et al. .... D15/90  
D537,850 S \* 3/2007 Moore et al. .... D15/90  
D537,851 S \* 3/2007 Mount ..... D15/90  
D538,309 S \* 3/2007 Mount ..... D15/90  
D700,636 S \* 3/2014 Maggioni ..... D15/90  
D700,637 S \* 3/2014 Maggioni ..... D15/90

\* cited by examiner

*Primary Examiner* — Mitchell Siegel

(74) *Attorney, Agent, or Firm* — Muncy, Geissler, Olds & Lowe, P.C.

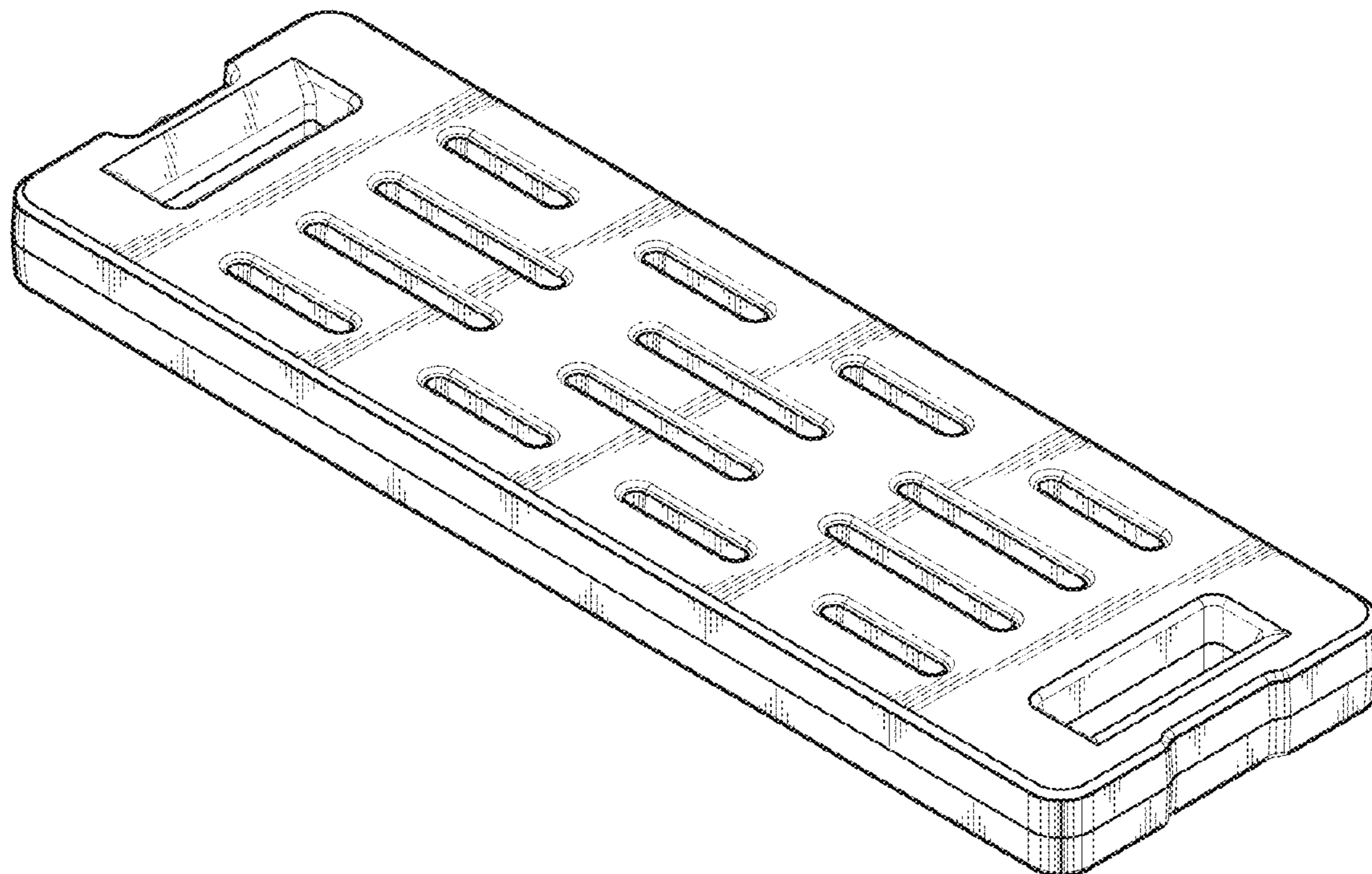
(57) **CLAIM**

The ornamental design for a coldness/heat preserving container, as shown and described.

**DESCRIPTION**

FIG. 1 is a perspective view of the coldness/heat preserving container showing my design;  
FIG. 2 is a front elevational view thereof, the rear view being identical thereto;  
FIG. 3 is a top plan view thereof, the bottom view being identical thereof;  
FIG. 4 is a right side view thereof;  
FIG. 5 is a left side view thereof;  
FIG. 6 is a cross-section taken across line A-A of FIG. 3; and,  
FIG. 7 is a cross-section taken across line B-B of FIG. 3.

**1 Claim, 4 Drawing Sheets**



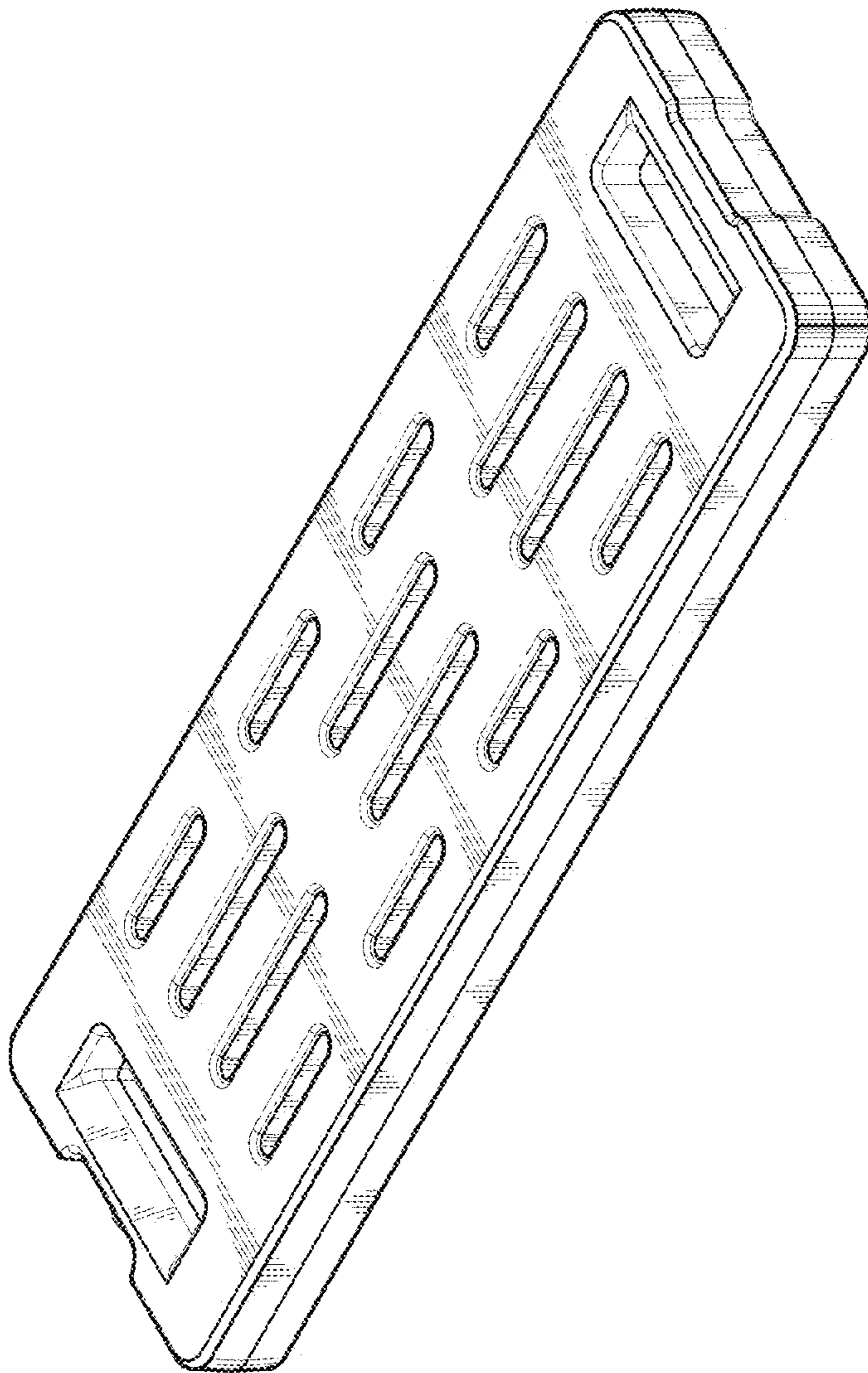


FIG. 1

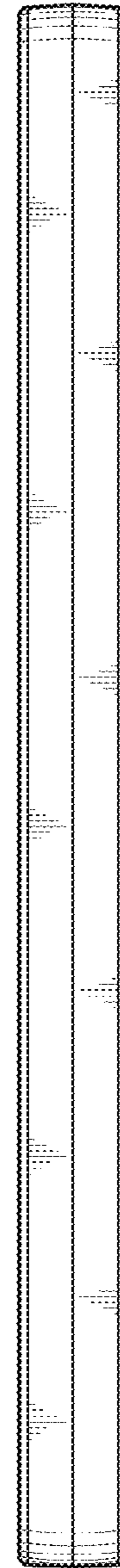


FIG. 2

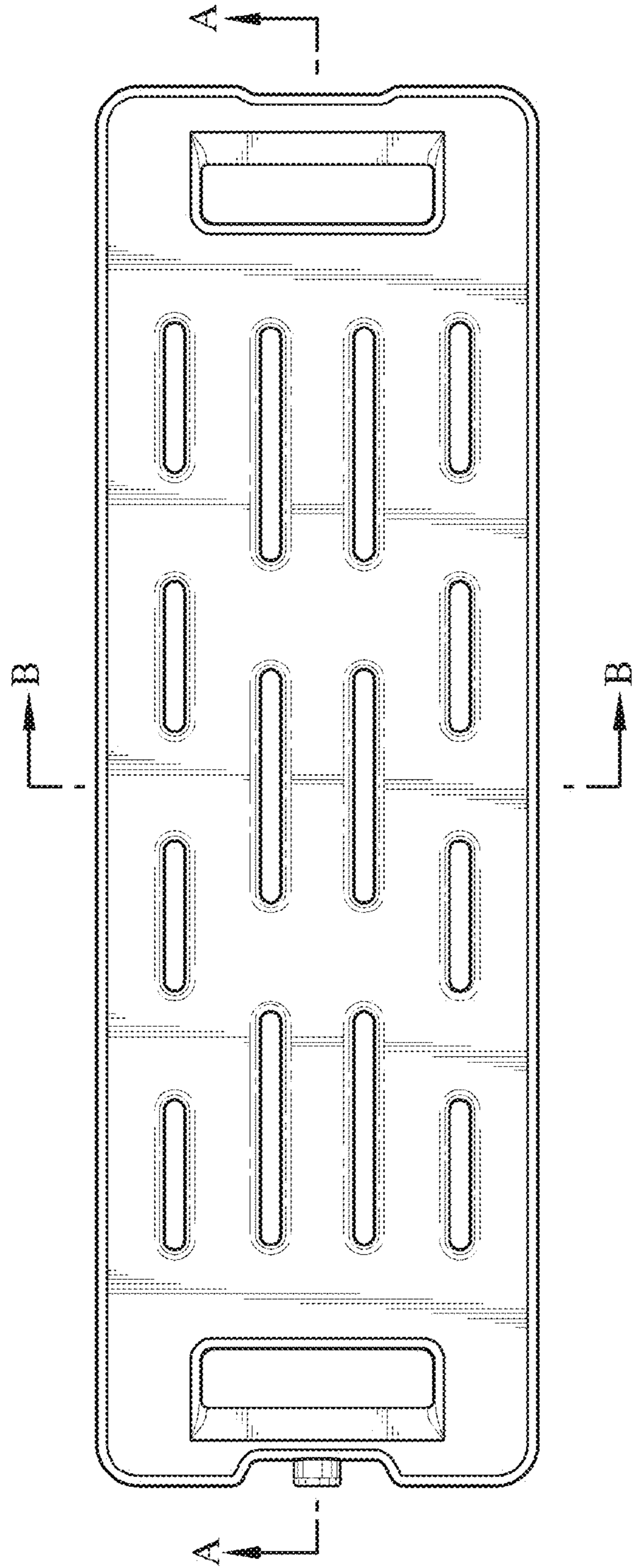


FIG. 3

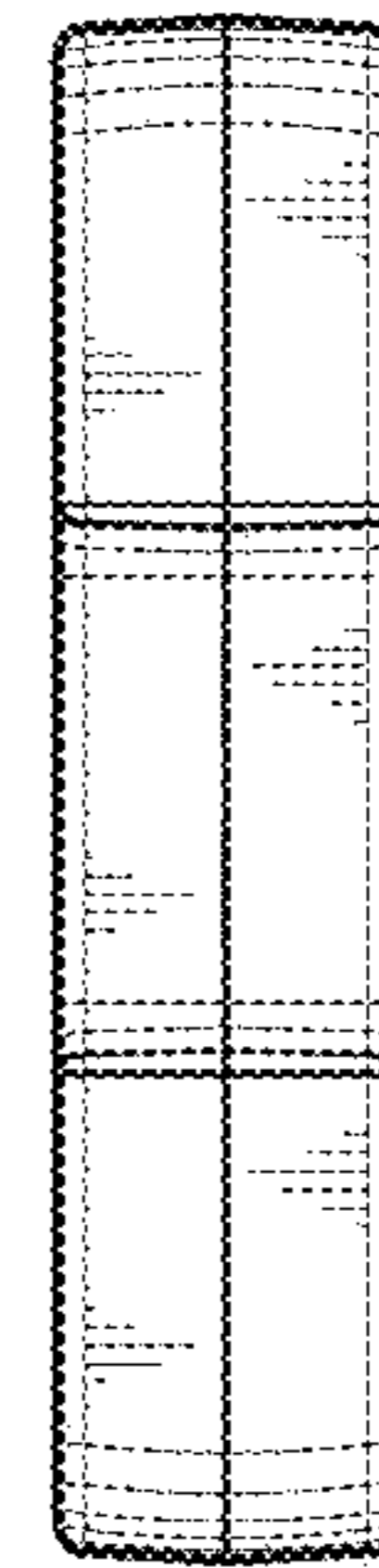


FIG. 4



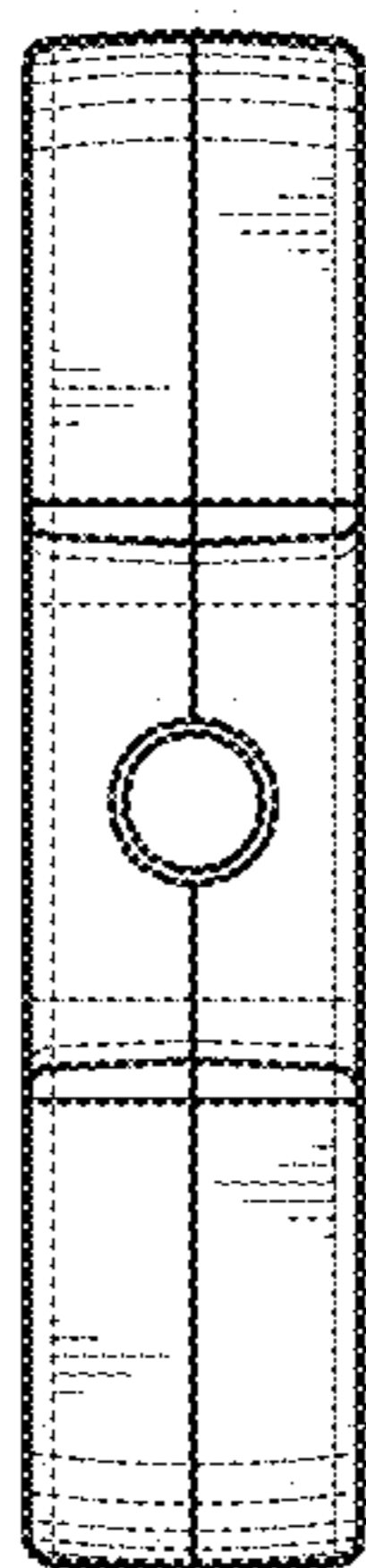


FIG. 5

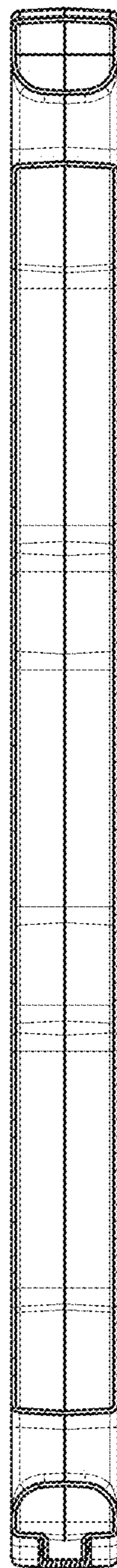


FIG. 6

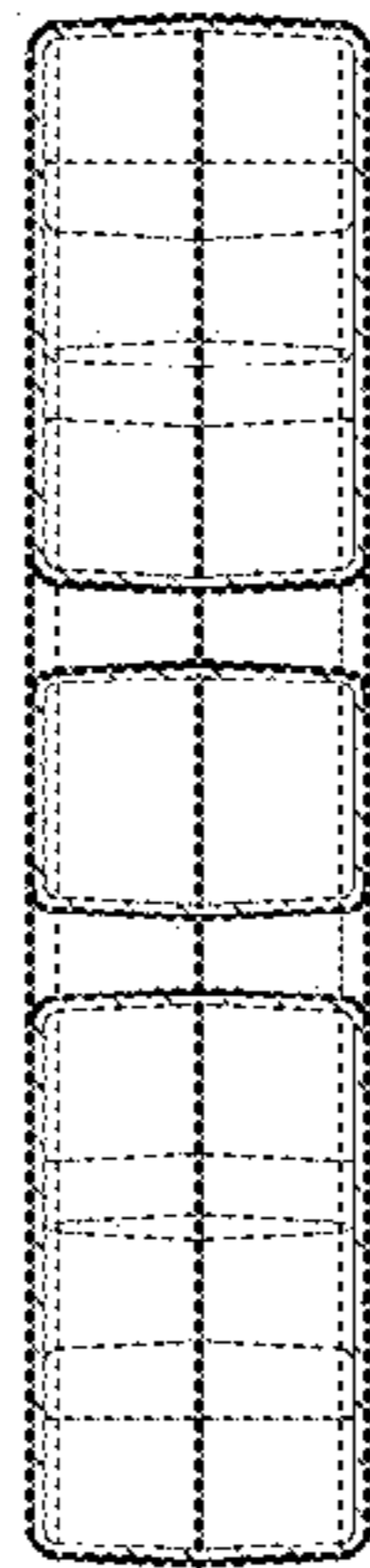


FIG. 7