



US00D711436S

(12) **United States Design Patent**  
**Park et al.**

(10) **Patent No.:** **US D711,436 S**

(45) **Date of Patent:** **\*\* Aug. 19, 2014**

(54) **BASKET**

(71) Applicant: **Samsung Electronics Co., Ltd.**,  
Suwon-Si (KR)

(72) Inventors: **Seojin Park**, Seoul (KR); **Dajeong Kim**,  
Seoul (KR)

(73) Assignee: **Samsung Electronics Co., Ltd.**,  
Gyeonggi-do (KR)

(\*\*) Term: **14 Years**

(21) Appl. No.: **29/453,757**

(22) Filed: **May 2, 2013**

(30) **Foreign Application Priority Data**

Nov. 5, 2012 (KR) ..... 30-2012-0052715

(51) **LOC (10) Cl.** ..... **15-07**

(52) **U.S. Cl.**  
USPC ..... **D15/89**

(58) **Field of Classification Search**

USPC ..... D15/79-89, 91; 62/3.6, 125, 126, 187,  
62/246-255, 441-445; 312/116, 138.1,  
312/236, 321.5, 330.1, 400-409, 351,  
312/139.2, 128.3; 211/153, 90.02; D7/328,  
D7/339-349, 351; D25/48.7; D12/183;  
49/90.1; 52/204.5

See application file for complete search history.

(56) **References Cited**

**U.S. PATENT DOCUMENTS**

D349,268 S \* 8/1994 Jones ..... D12/183  
5,461,828 A \* 10/1995 Jordal ..... 49/90.1

5,567,029 A \* 10/1996 Haenisch et al. .... 312/405.1  
6,908,163 B1 \* 6/2005 Hebler et al. .... 312/405.1  
D525,368 S \* 7/2006 Clark ..... D25/48.7  
D603,883 S \* 11/2009 Placke et al. .... D15/89  
D618,363 S \* 6/2010 Card ..... D25/48.7  
D650,399 S \* 12/2011 Kim ..... D15/91  
D654,314 S \* 2/2012 Benold ..... D7/405  
D675,235 S \* 1/2013 Covert ..... D15/89  
D700,358 S \* 2/2014 Myles ..... D25/48.7  
2005/0072075 A1 \* 4/2005 Maier ..... 52/204.5

\* cited by examiner

*Primary Examiner* — Thomas Johannes

*Assistant Examiner* — Khawaja Anwar

(74) *Attorney, Agent, or Firm* — Harness, Dickey & Pierce,  
P.L.C.

(57) **CLAIM**

The ornamental design for a basket, as shown and described.

**DESCRIPTION**

FIG. 1 is the front/right-side/top perspective view of a basket showing our new design;

FIG. 2 is the front-side elevation view thereof;

FIG. 3 is the rear-side elevation view thereof;

FIG. 4 is the left-side elevation view thereof;

FIG. 5 is the right-side elevation view thereof;

FIG. 6 is the top-side elevation view thereof;

FIG. 7 is the bottom-side elevation view thereof;

FIG. 8 shows the basket in a usage position; and,

FIG. 9 shows the basket installed in an unclaimed environment.

The broken lines in the drawing show unclaimed environment only and form no part of the claimed design.

**1 Claim, 6 Drawing Sheets**

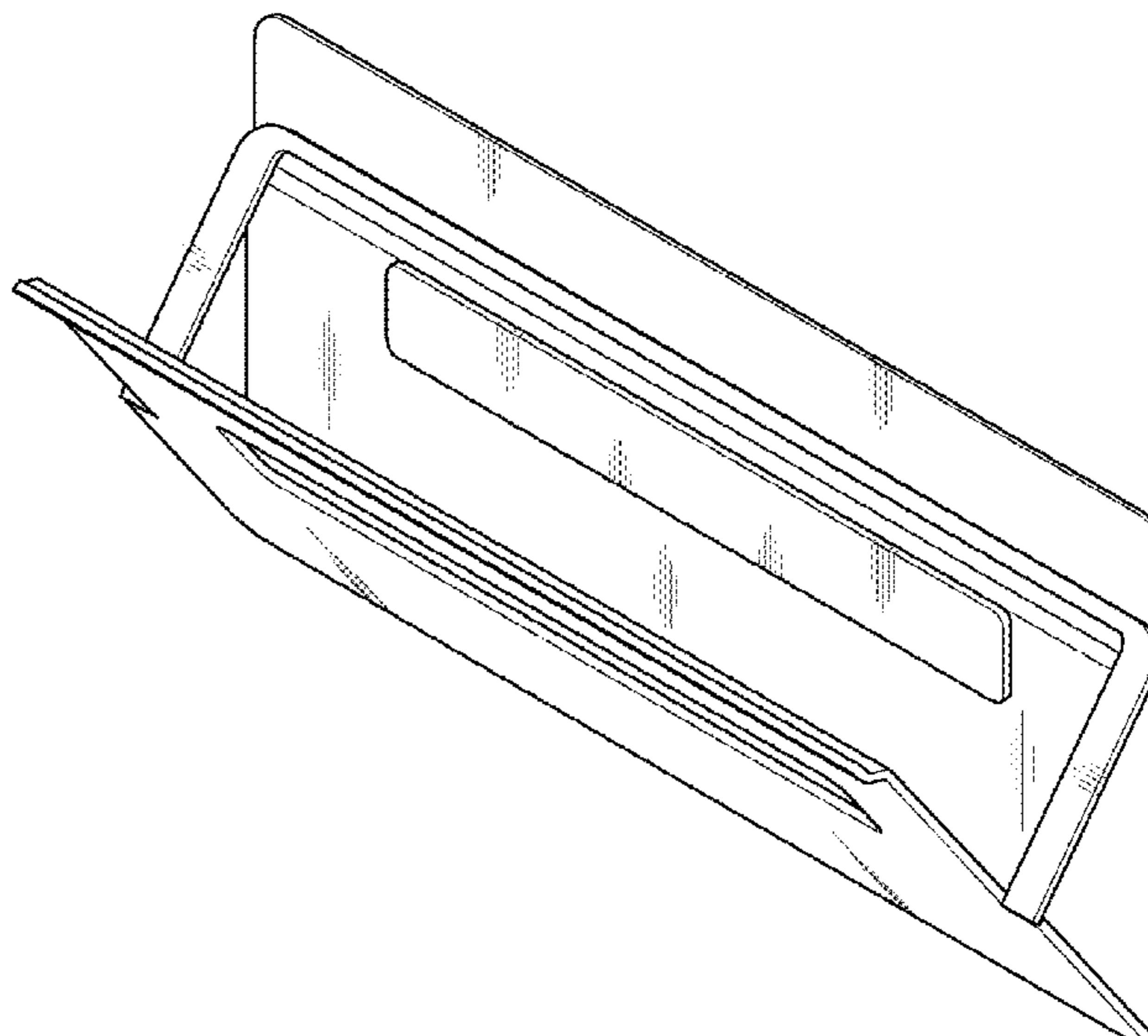
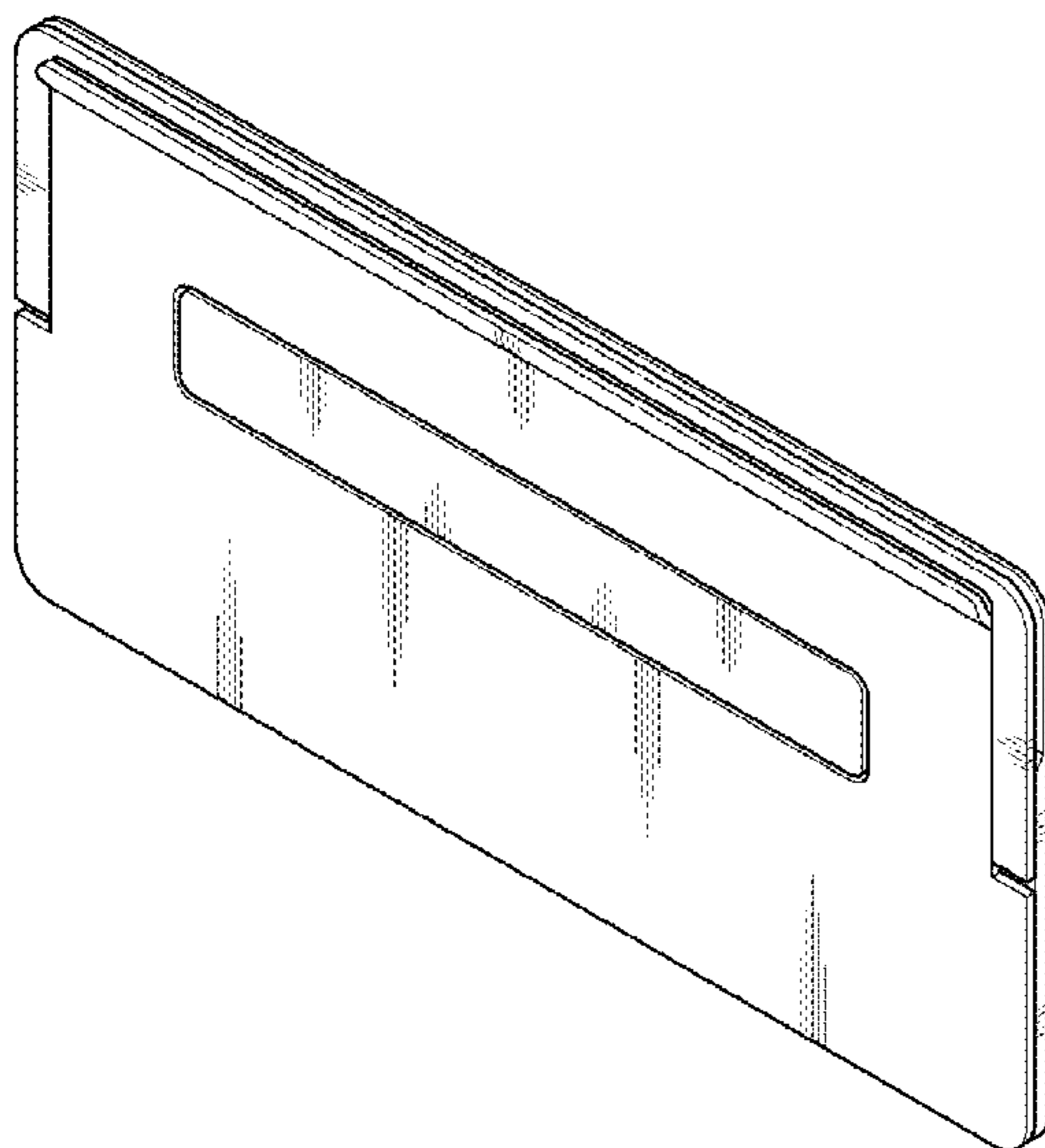


FIG. 1

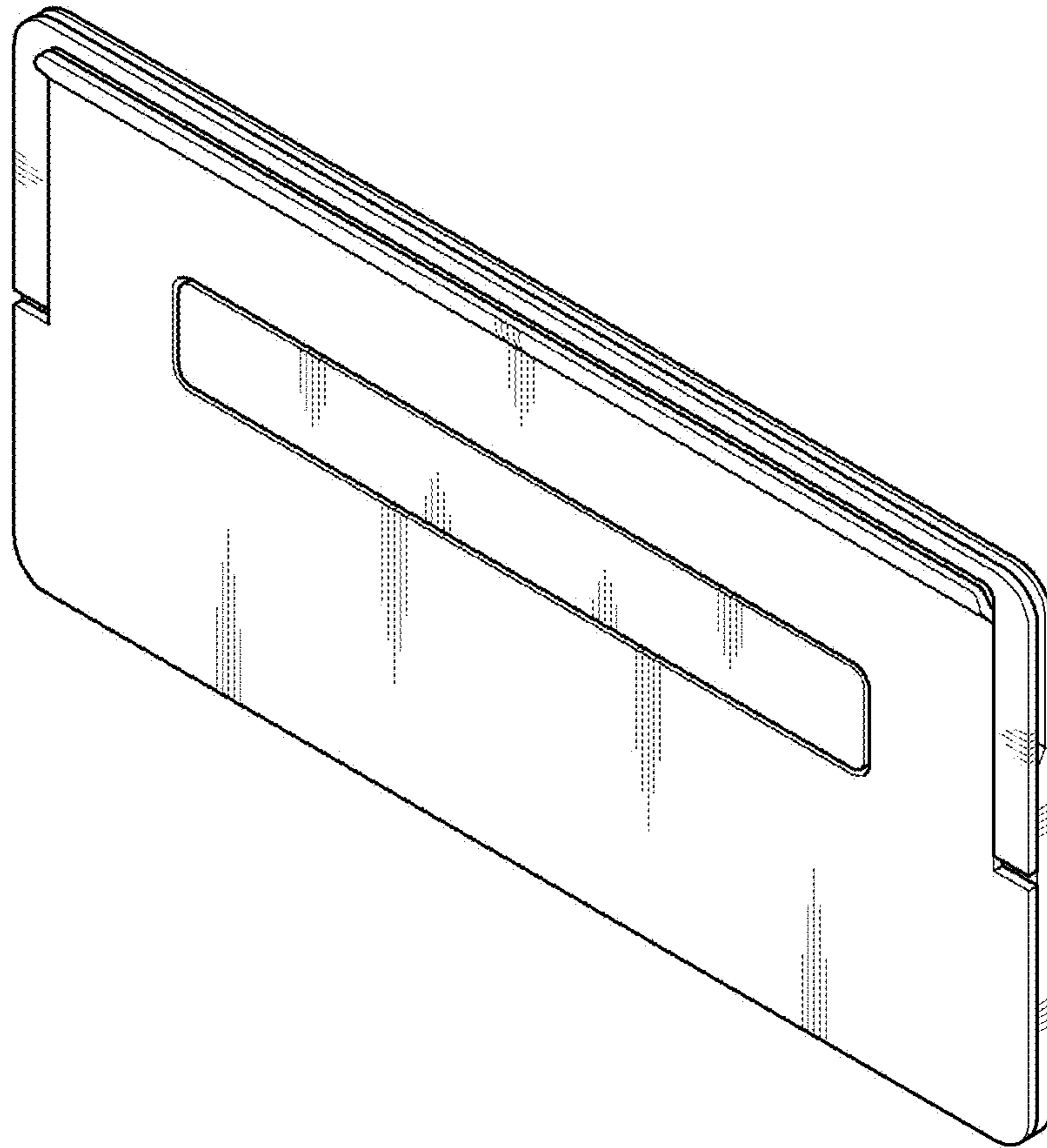


FIG. 2

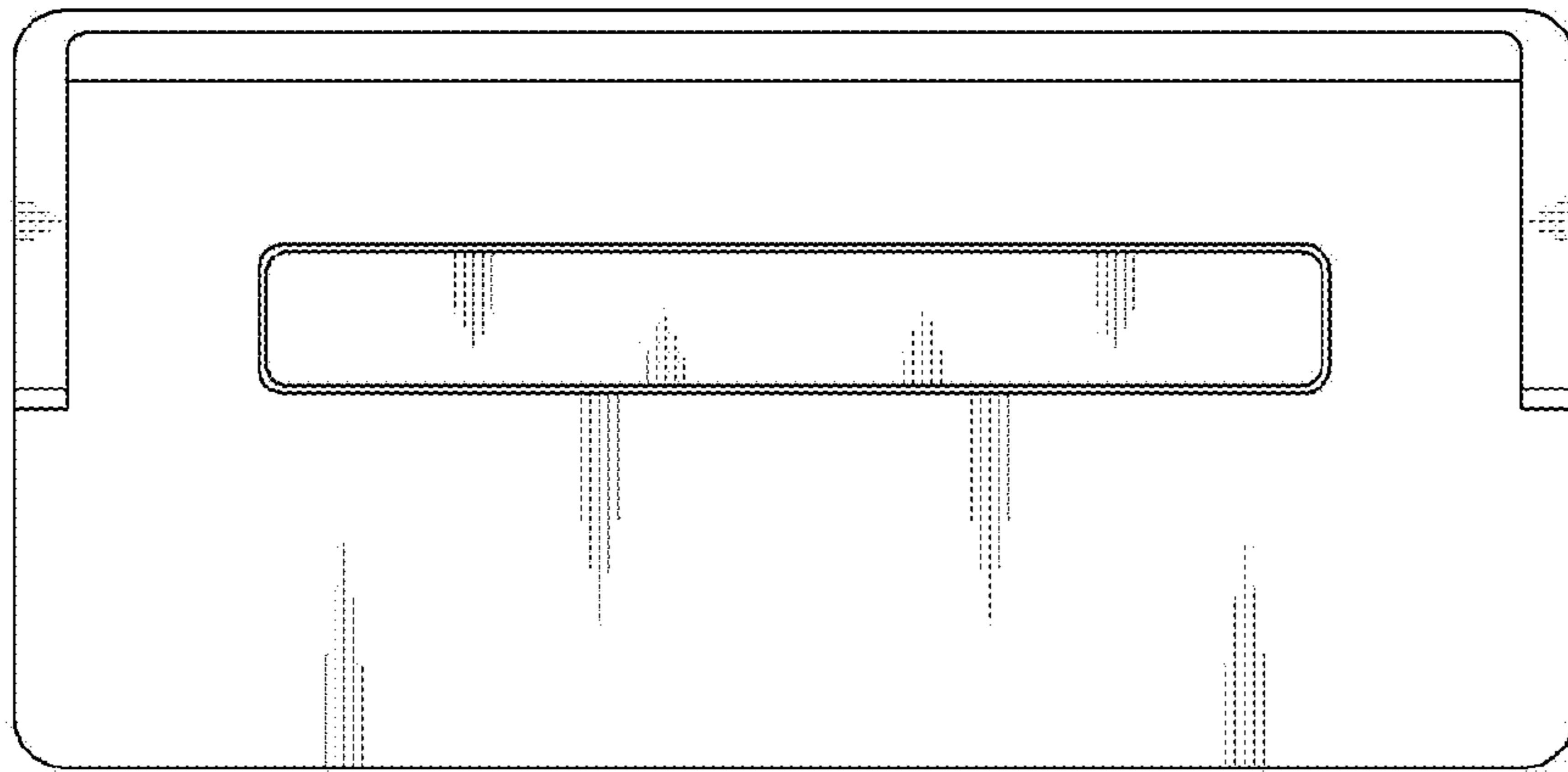


FIG. 3

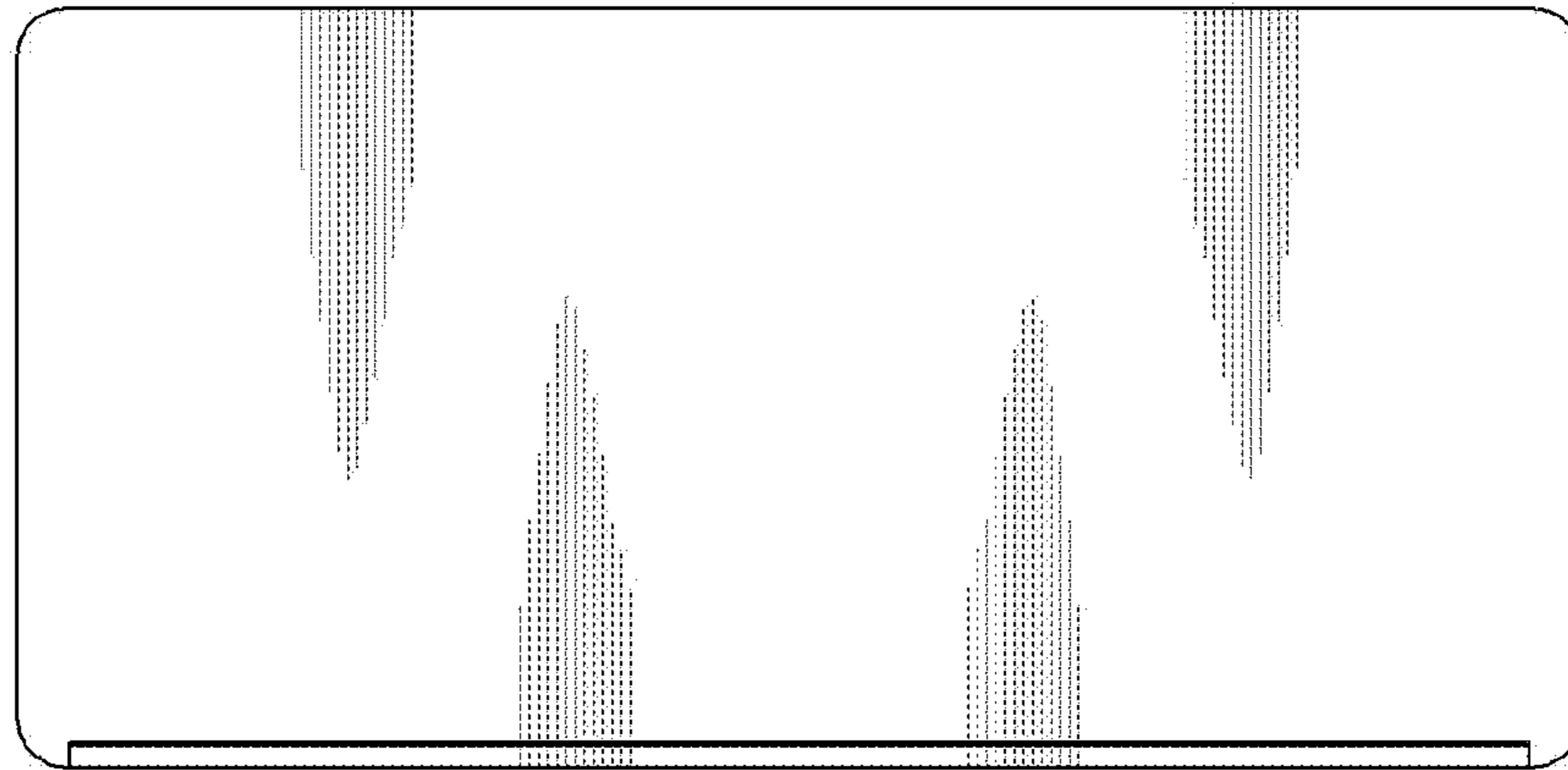


FIG. 4



FIG. 5



**FIG. 6**



**FIG. 7**

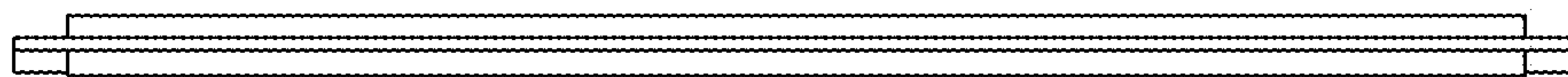


FIG. 8

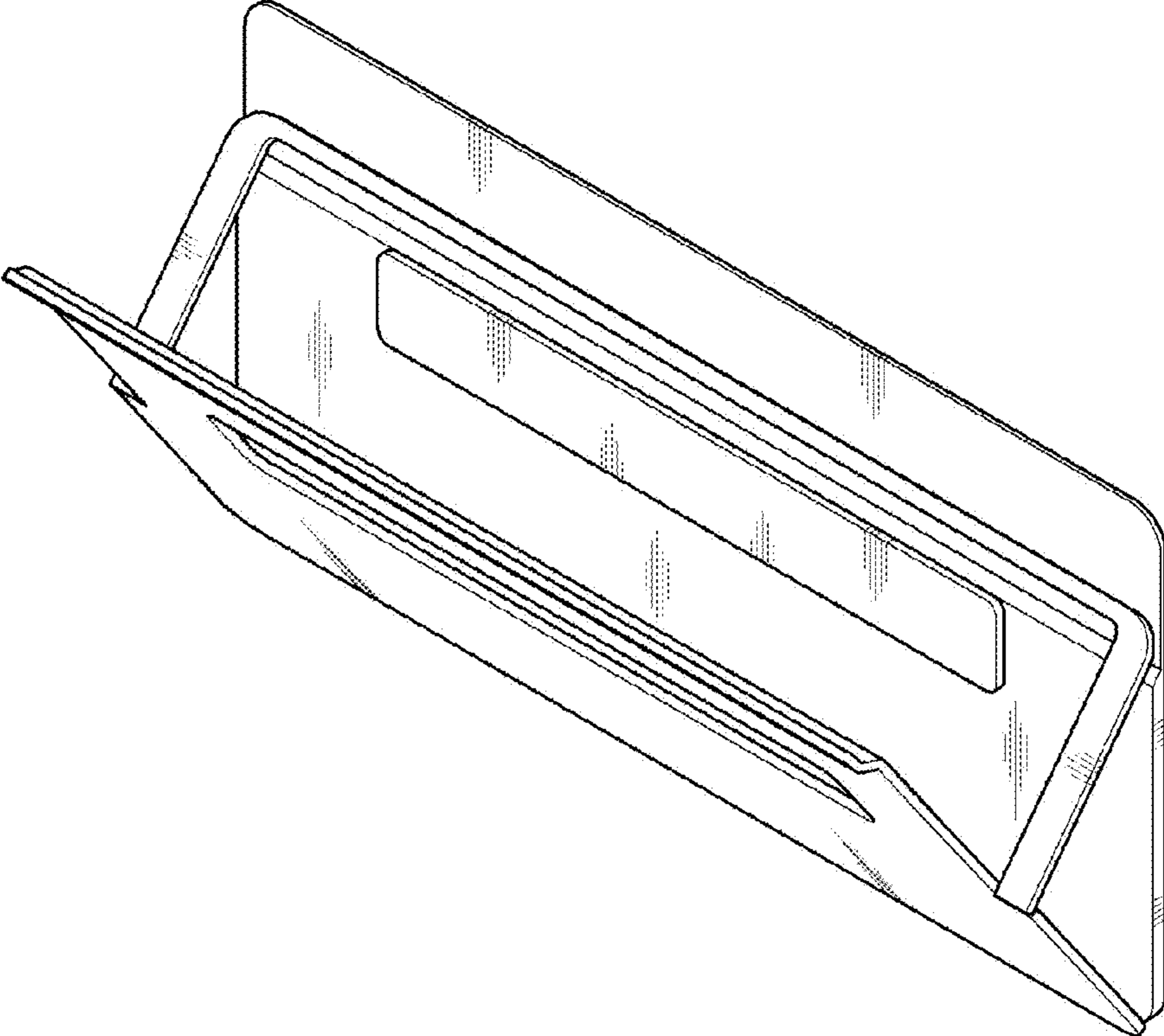


FIG. 9

