



US00D711434S

(12) **United States Design Patent**
Aglassinger

(10) **Patent No.:** **US D711,434 S**

(45) **Date of Patent:** **** Aug. 19, 2014**

(54) **CHECKING DEVICE**

(75) Inventor: **Hans-Peter Aglassinger**, Esslingen (DE)

(73) Assignee: **Robert Bosch GmbH**, Stuttgart (DE)

(**) Term: **14 Years**

(21) Appl. No.: **29/387,058**

(22) Filed: **Mar. 8, 2011**

(30) **Foreign Application Priority Data**

Sep. 10, 2010 (EM) 001753161

(51) **LOC (10) Cl.** **15-07**

(52) **U.S. Cl.**
USPC **D15/79; D24/186**

(58) **Field of Classification Search**
USPC D24/185-186; D15/5, 79; D10/46, 75;
D32/21, 332, 335, 207, 209; 74/50;
312/3.6, 116, 138.1, 236, 400-409;
62/125, 126, 77, 292, 298, 336
See application file for complete search history.

(56) **References Cited**

U.S. PATENT DOCUMENTS

D337,592 S *	7/1993	Hider et al.	D23/332
D359,055 S *	6/1995	Drago et al.	D23/207
D433,346 S *	11/2000	Evans et al.	D10/75
D445,116 S *	7/2001	Evans et al.	D15/79
D445,117 S *	7/2001	Heber et al.	D15/79
D500,508 S *	1/2005	Chiu	D15/79

D603,048 S *	10/2009	Fleck et al.	D24/185
D609,349 S *	2/2010	Pelissier et al.	D24/186
D621,513 S *	8/2010	Cinquabre	D24/185
D626,236 S *	10/2010	Ninomiya et al.	D24/185
D655,723 S *	3/2012	Wurts	D15/5
D666,224 S *	8/2012	Pruszynski et al.	D15/79
D684,737 S *	6/2013	Wolfe et al.	D32/21
D696,783 S *	12/2013	Chung et al.	D24/185

* cited by examiner

Primary Examiner — T. Chase Nelson

Assistant Examiner — Mark Cavanna

(74) *Attorney, Agent, or Firm* — Maginot, Moore & Beck

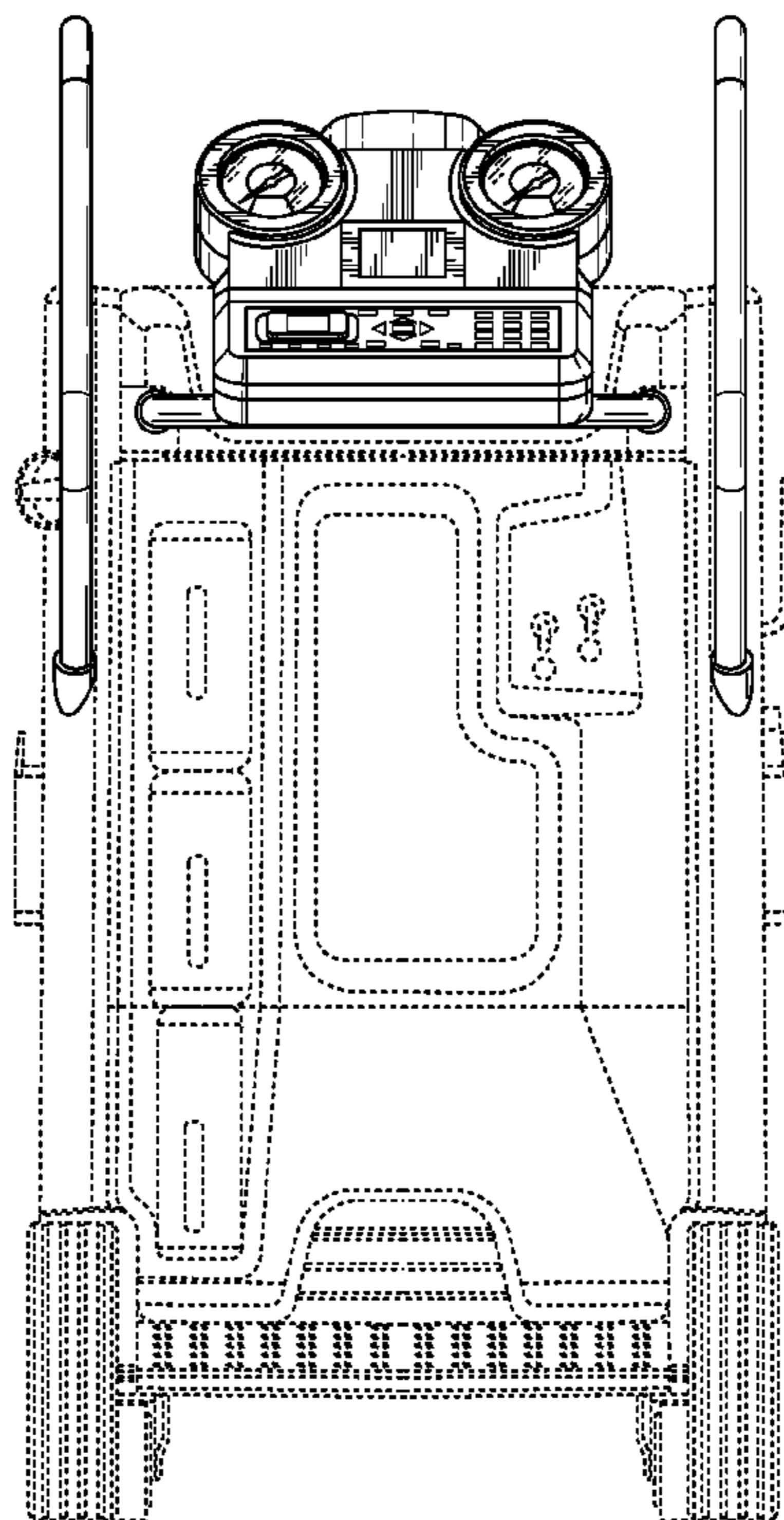
(57) **CLAIM**

The ornamental design for a checking device, as shown and described.

DESCRIPTION

FIG. 1 is a left side elevational view of a checking device showing my new design;
FIG. 2 is right side elevational view showing the design for the checking device of FIG. 1;
FIG. 3 is a rear elevational view showing the design for the checking device of FIG. 1;
FIG. 4 is a front elevational view showing the design for the checking device of FIG. 1; and,
FIG. 5 is a top elevational view showing the design for the checking device of FIG. 1.
The broken lines shown in the drawings are included for the purpose of illustrating unclaimed portions of the checking device and form no part of the claimed design.

1 Claim, 5 Drawing Sheets



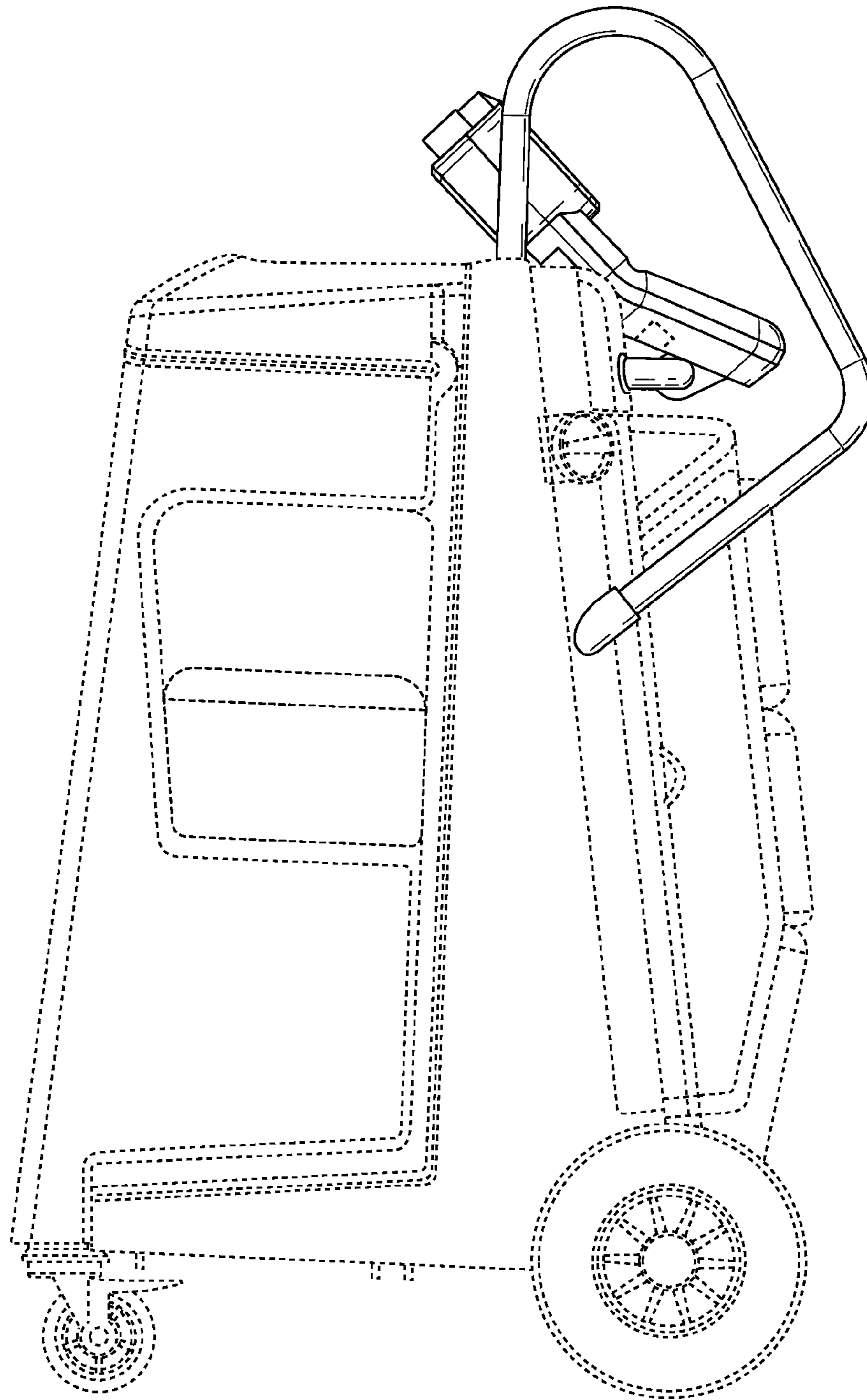


FIG. 1

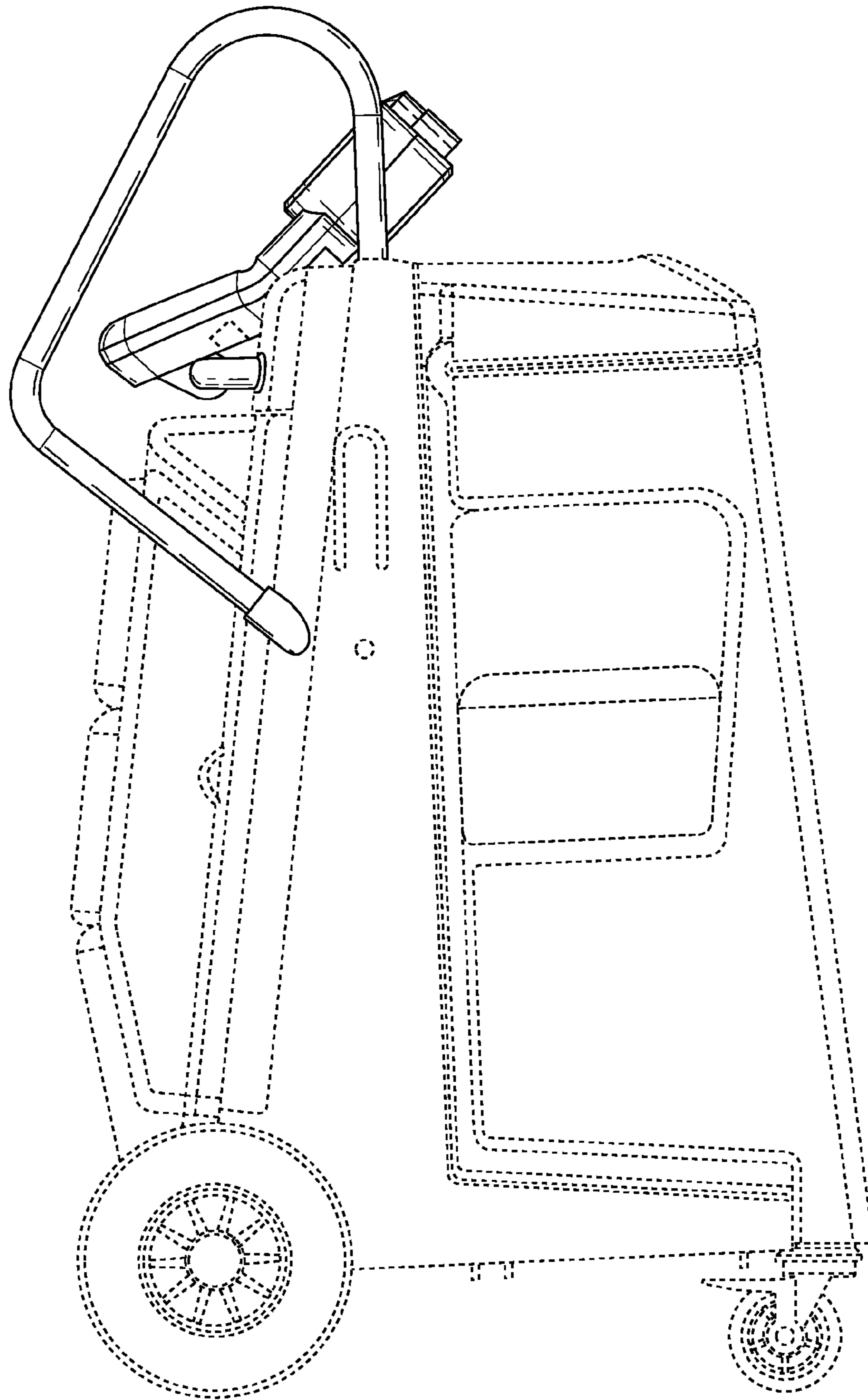


FIG. 2

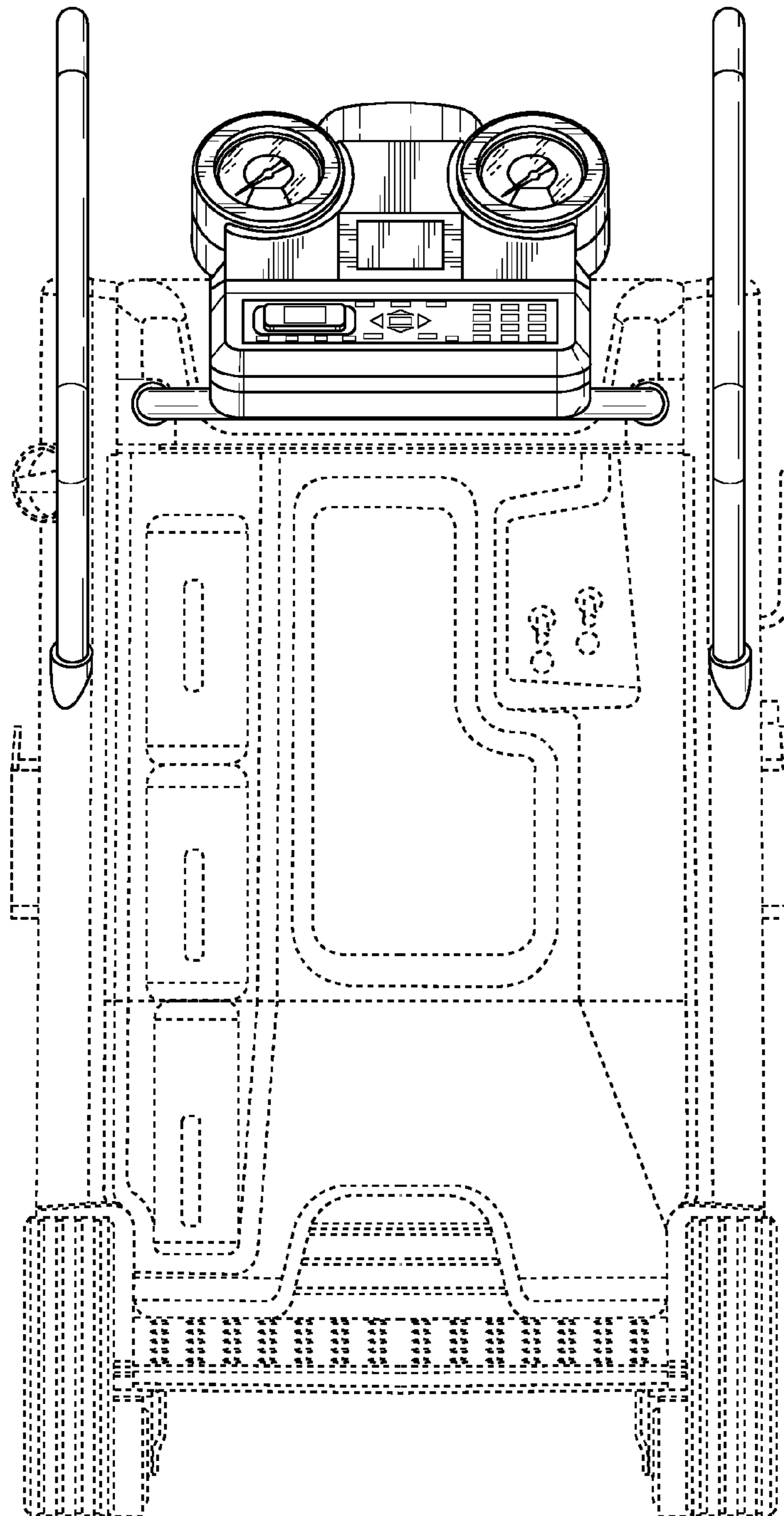


FIG. 3

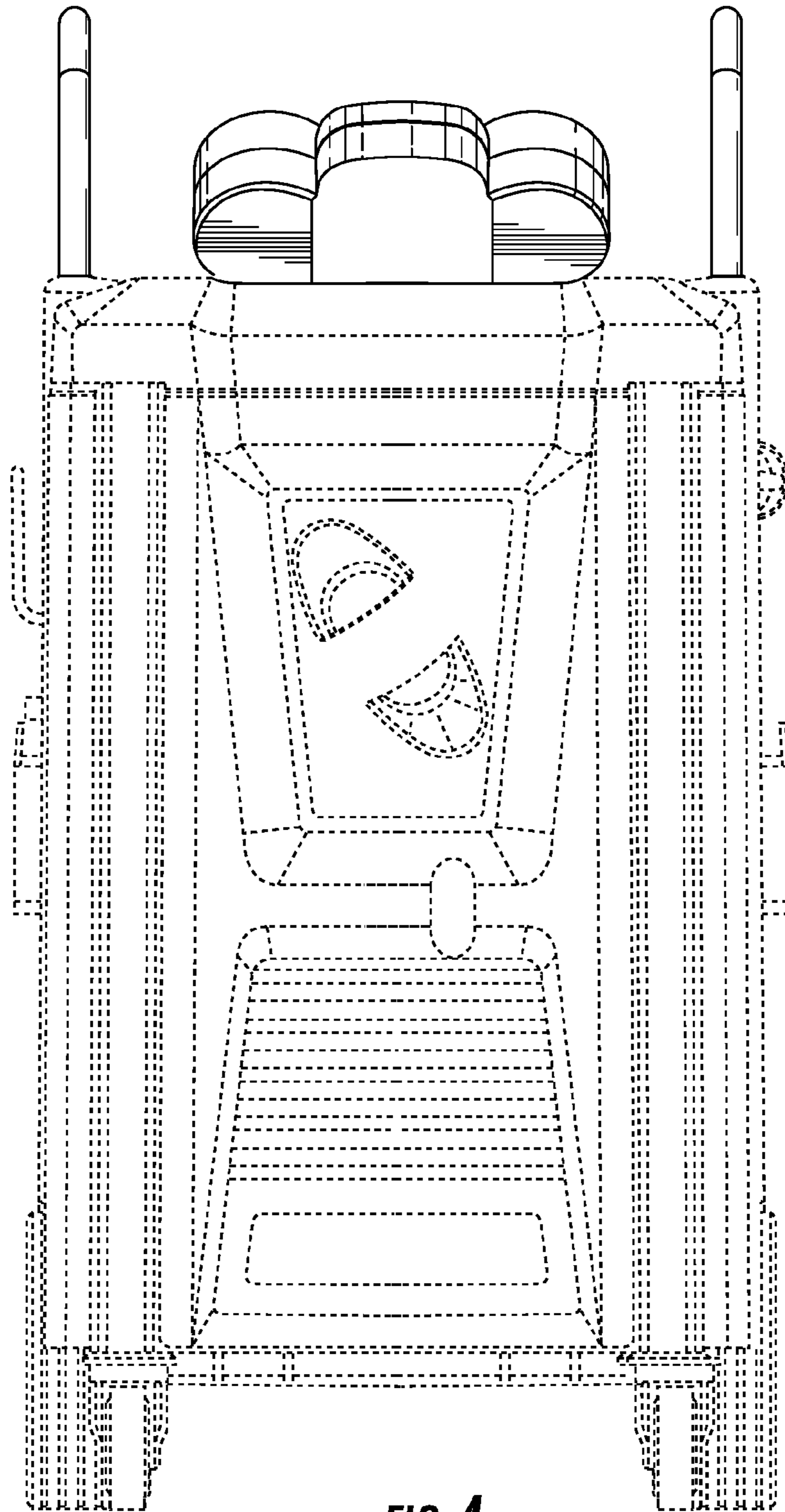


FIG. 4

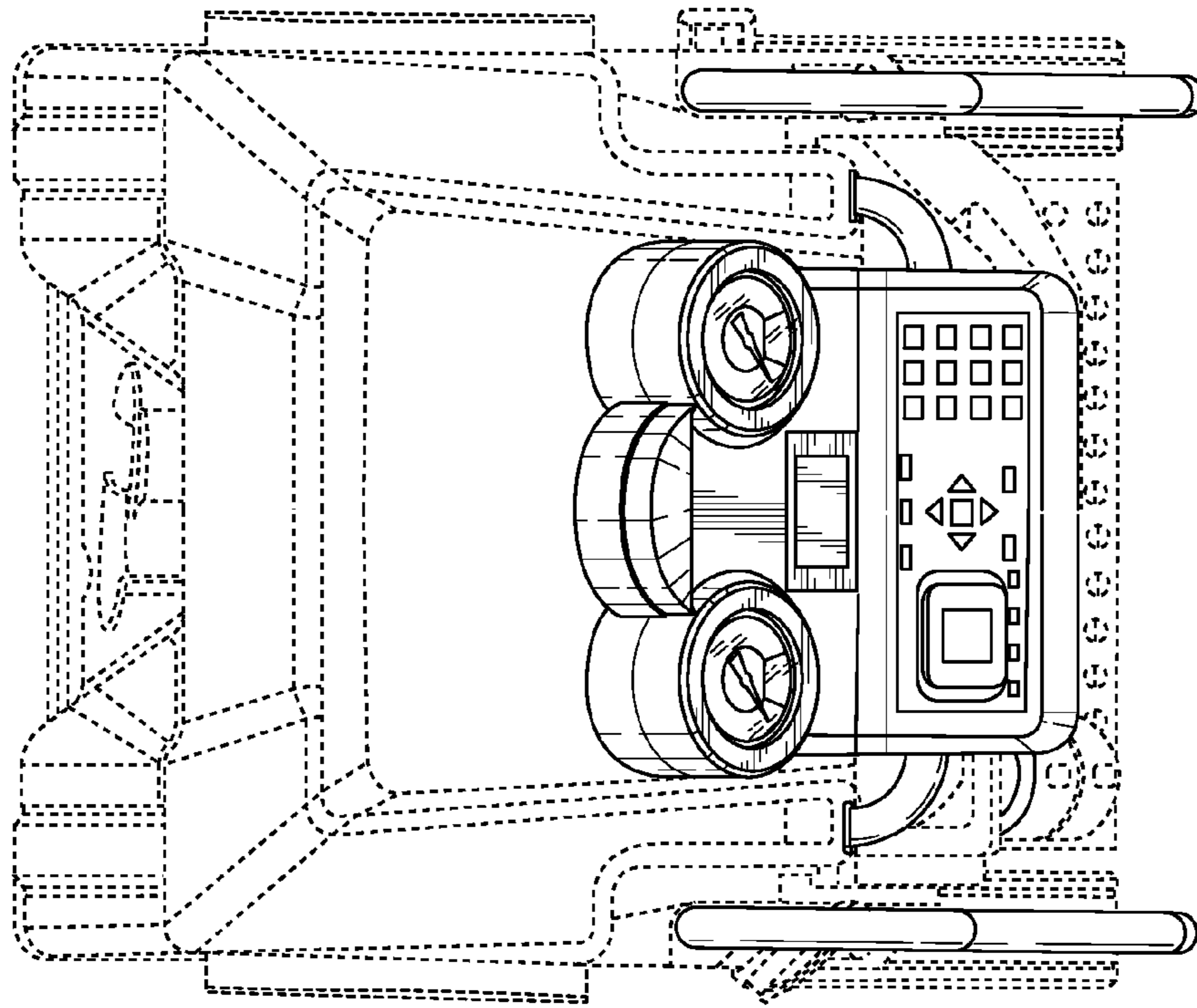


FIG. 5