



US00D711432S

(12) **United States Design Patent**
Holt

(10) **Patent No.:** **US D711,432 S**

(45) **Date of Patent:** **** Aug. 19, 2014**

(54) **LINE MARKING APPARATUS**

(71) Applicant: **Linemark (UK) Ltd**, Rawtenstall (GB)

(72) Inventor: **Tony Holt**, Bury (GB)

(73) Assignee: **Linemark (UK) Ltd.**, Rawtenstall (GB)

(**) Term: **14 Years**

(21) Appl. No.: **29/469,697**

(22) Filed: **Oct. 14, 2013**

(30) **Foreign Application Priority Data**

Jul. 1, 2013 (EM) 002265876-0002

(51) **LOC (10) Cl.** **15-03**

(52) **U.S. Cl.**
USPC **D15/13**

(58) **Field of Classification Search**
USPC D15/10-13; D23/213, 225; 118/305;
427/137; 239/150, 146, 147, 172, 155,
239/159, 164, 165, 176, 683-687; 404/93,
404/94
See application file for complete search history.

(56) **References Cited**

U.S. PATENT DOCUMENTS

3,239,147 A * 3/1966 Sweet 239/150
3,940,065 A * 2/1976 Ware et al. 239/146
4,624,602 A * 11/1986 Kieffer et al. 404/94
4,848,659 A * 7/1989 Tadych 239/127

4,893,751 A * 1/1990 Armstrong 239/150
D307,590 S * 5/1990 Ridgeon D15/13
D324,053 S * 2/1992 Smrt D15/13
D349,711 S * 8/1994 Torntore et al. D15/13
D354,288 S * 1/1995 Pena D15/13
D402,669 S * 12/1998 Chapman et al. D15/13
5,842,649 A * 12/1998 Beck et al. 239/677
D565,603 S * 4/2008 Viner et al. D15/13
7,673,815 B2 * 3/2010 Schroeder et al. 239/332
D619,312 S * 7/2010 Rodenkirch et al. D32/15
D619,625 S * 7/2010 Schroeder et al. D15/13
D655,467 S * 3/2012 Hawkins D32/25
D665,822 S * 8/2012 Holt D15/10
2010/0072717 A1 * 3/2010 Liska 280/47.371
2010/0127100 A1 * 5/2010 Walmer 239/304

* cited by examiner

Primary Examiner — Mark Goodwin

(74) *Attorney, Agent, or Firm* — Woodard, Emhardt,
Moriarty, McNett & Henry LLP

(57) **CLAIM**

The ornamental design for a line marking apparatus, as shown
and described.

DESCRIPTION

FIG. 1 is a right side view of the line marking apparatus.
FIG. 2 is a top view of the line marking apparatus.
FIG. 3 is a left side view of the line marking apparatus.
FIG. 4 is a front view of the line marking apparatus.
FIG. 5 is a left side perspective view of the line marking
apparatus; and,
FIG. 6 is a rear view of the line marking apparatus.

1 Claim, 6 Drawing Sheets

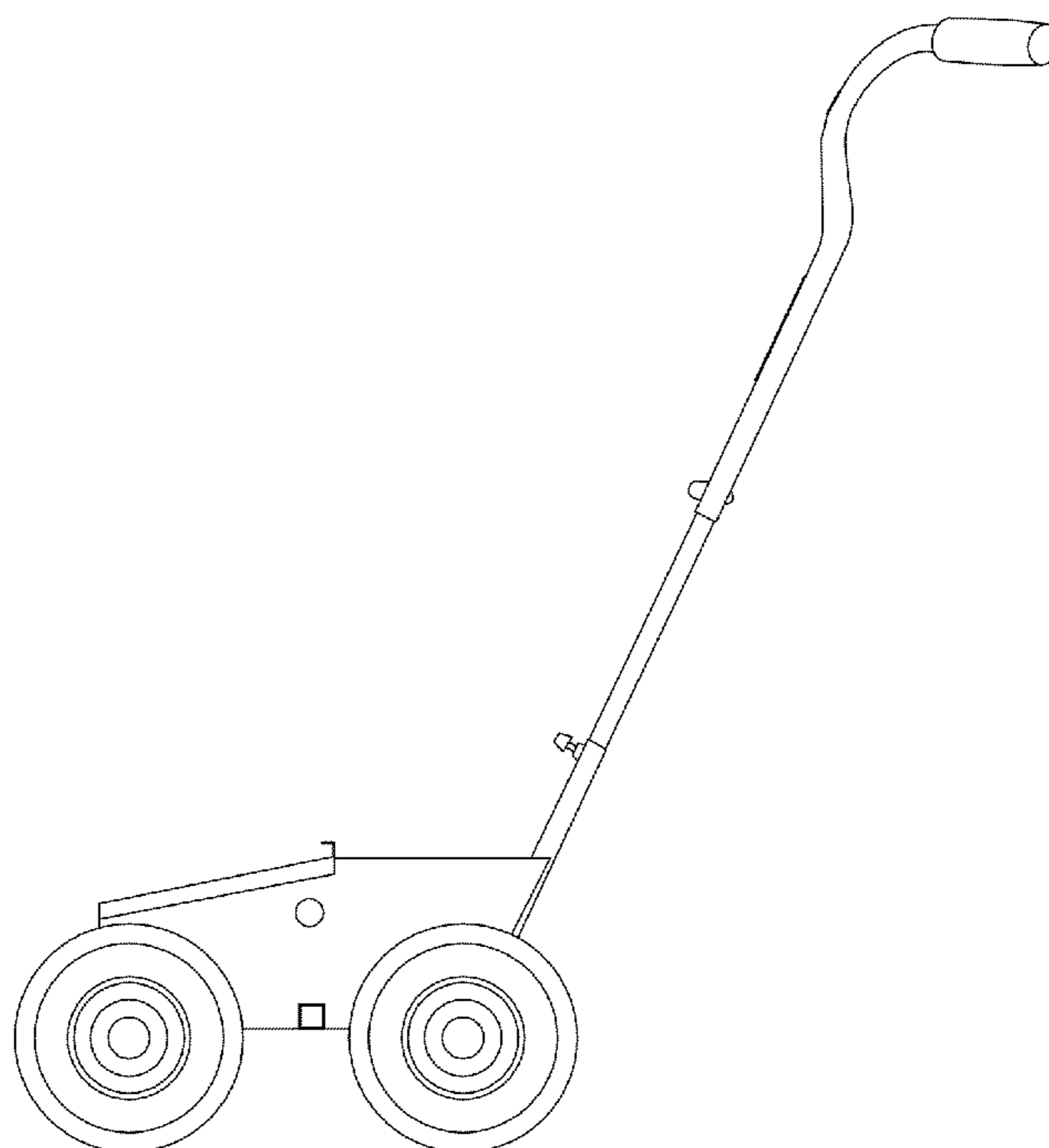


FIGURE 1

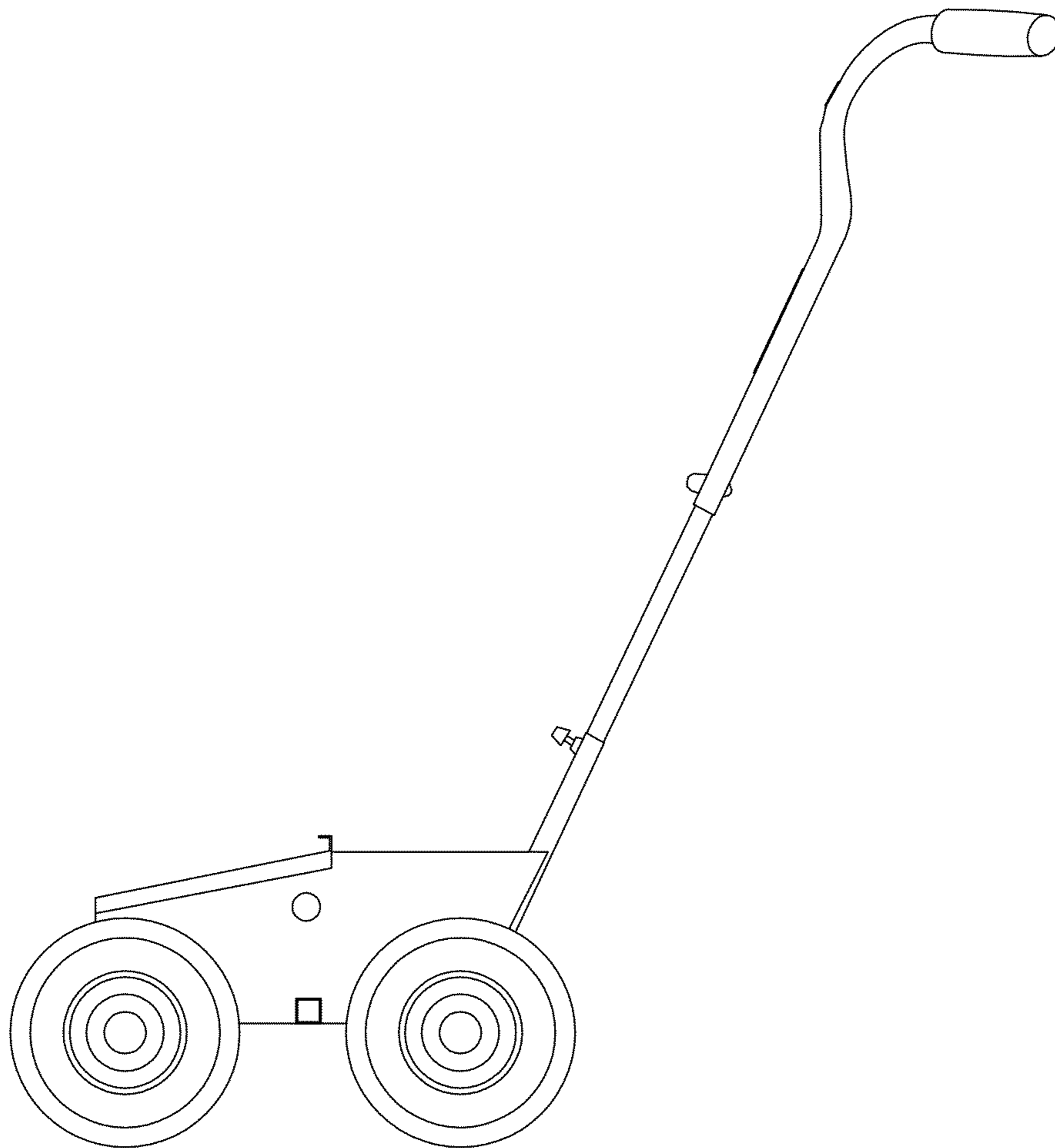


FIGURE 2

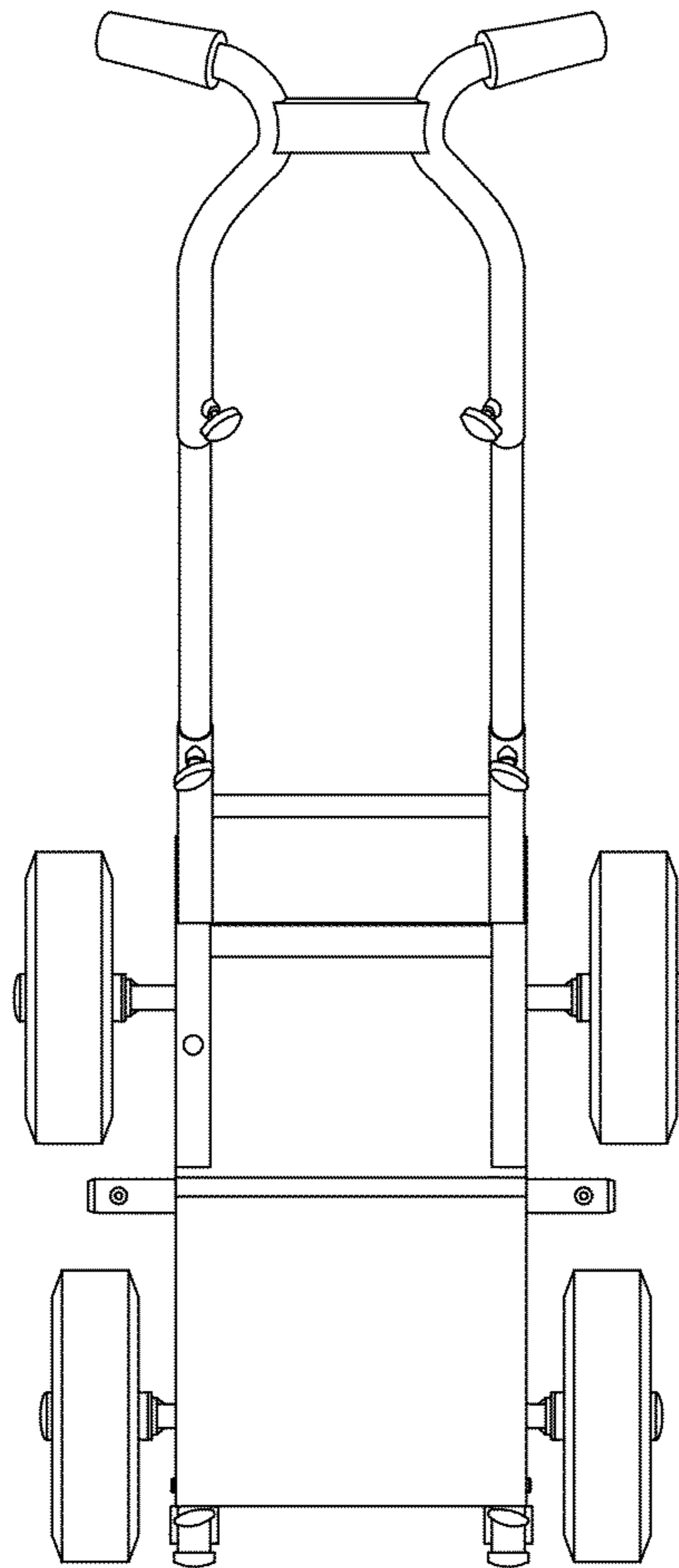


FIGURE 3

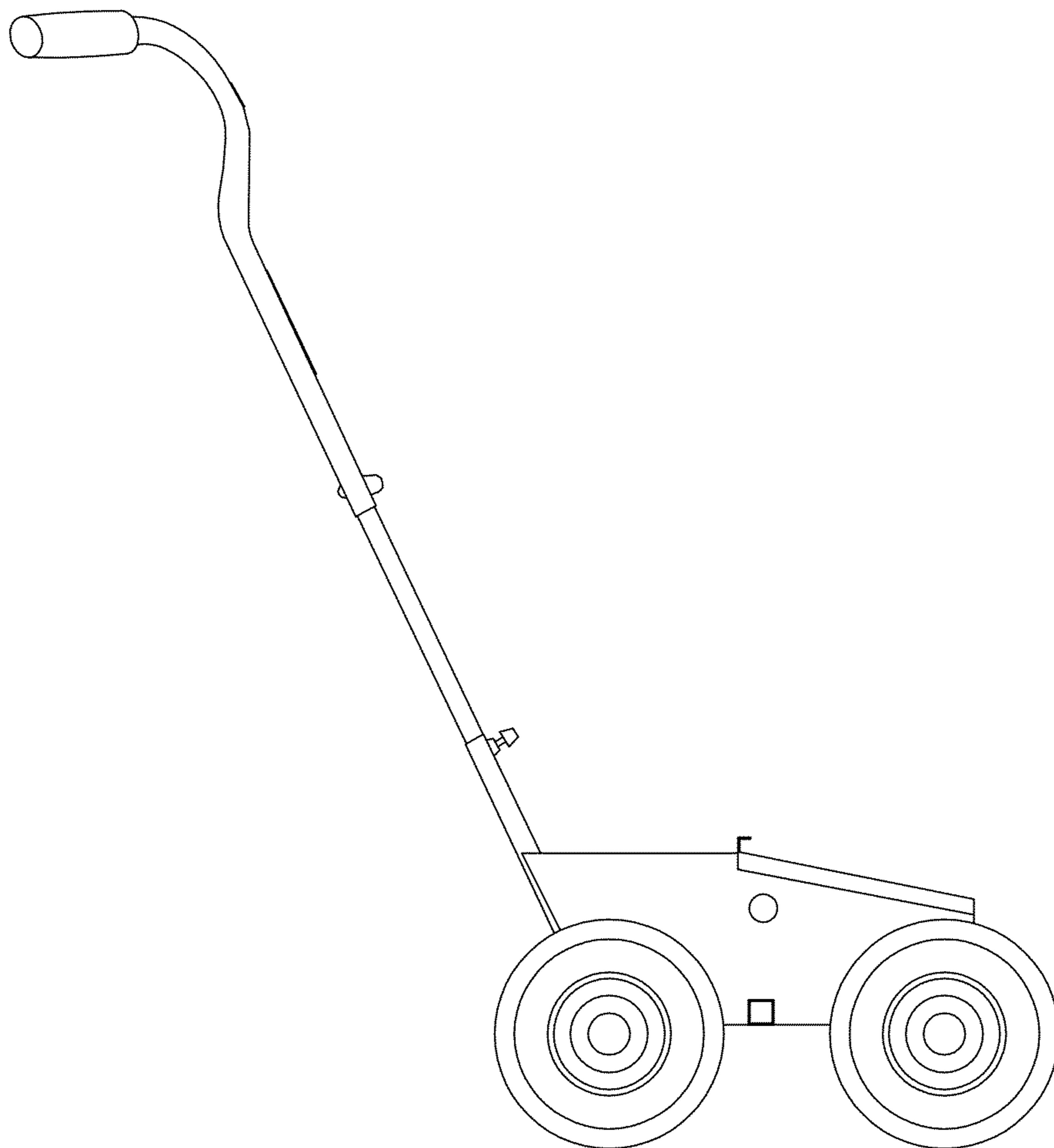


FIGURE 4

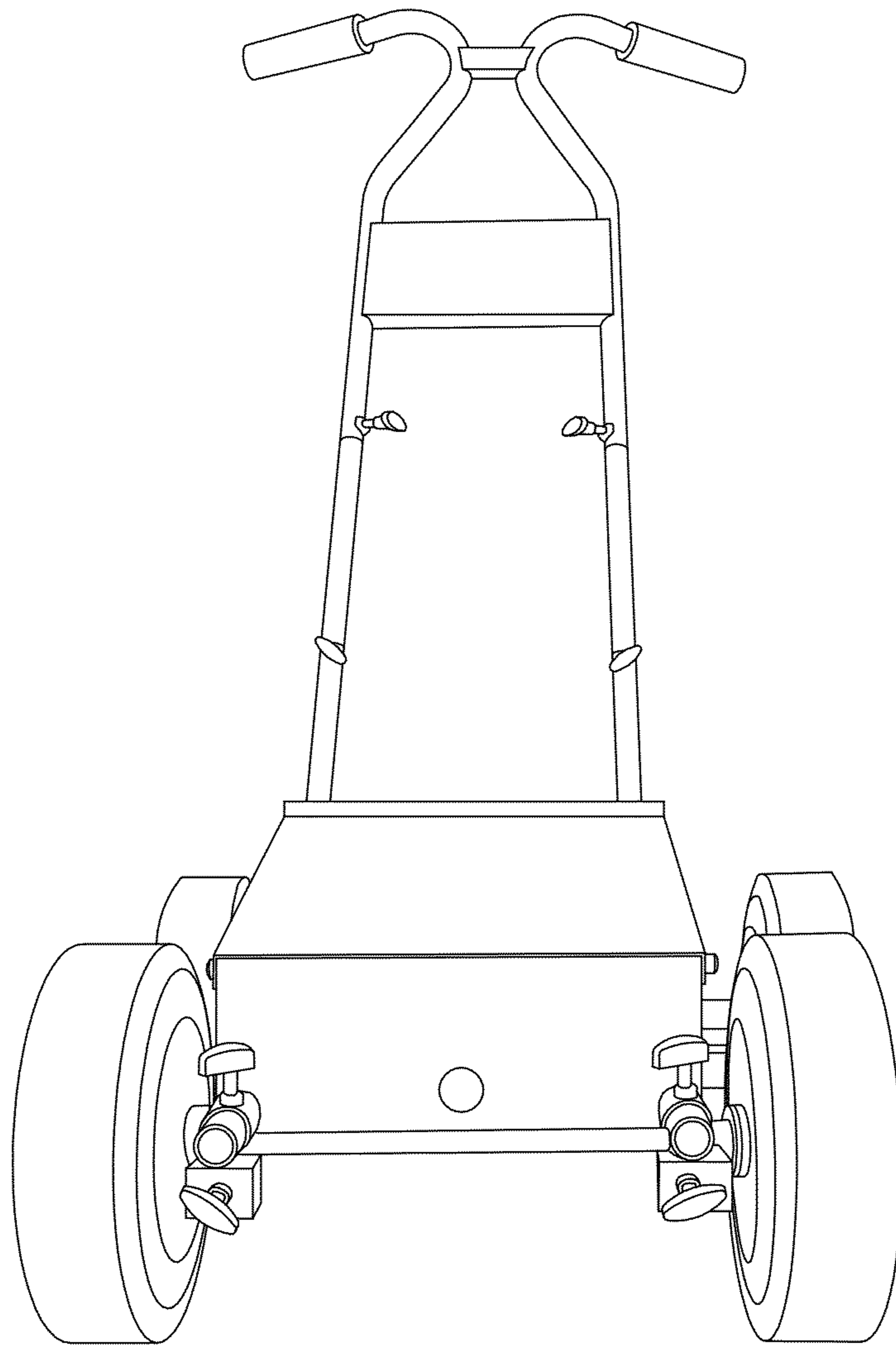


FIGURE 5

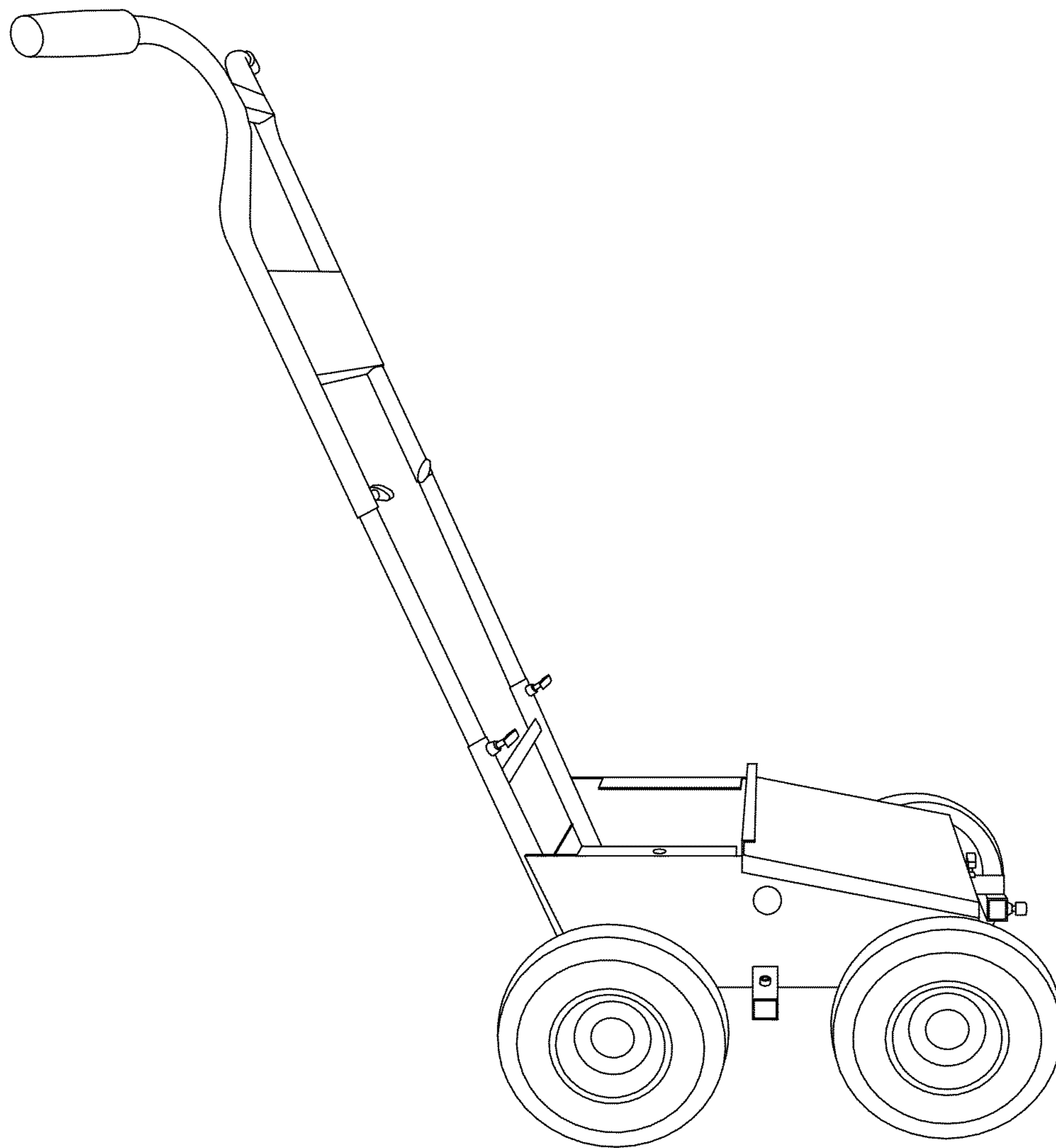


FIGURE 6

