



US00D711429S

(12) **United States Design Patent**
Shin et al.

(10) **Patent No.:** **US D711,429 S**

(45) **Date of Patent:** **** Aug. 19, 2014**

(54) **BLU-RAY DISK PLAYER**

(75) Inventors: **Bong-Kun Shin**, Seoul (KR); **Chae-Joo Son**, Kyunggi-do (KR)

(73) Assignee: **Samsung Electronics Co., Ltd.**, Suwon-si, Gyeonggi-do (KR)

(**) Term: **14 Years**

(21) Appl. No.: **29/427,956**

(22) Filed: **Jul. 24, 2012**

(30) **Foreign Application Priority Data**

Feb. 2, 2012 (KR) 30-2012-0004840

(51) **LOC (10) Cl.** **14-03**

(52) **U.S. Cl.**
USPC **D14/499**

(58) **Field of Classification Search**
USPC D13/103; D14/135, 168, 172, 188, 204,
D14/207, 211-216, 498, 499; 360/99.02,
360/99.07; 369/75.11, 75.21, 77.11, 77.21;
455/344, 347-351
See application file for complete search history.

(56) **References Cited**

U.S. PATENT DOCUMENTS

D460,435 S * 7/2002 Carbone D14/188
D464,045 S * 10/2002 Bohne D14/240
D534,166 S * 12/2006 Kutaragi et al. D14/356

D539,262 S * 3/2007 Hyodo D14/507
D583,366 S * 12/2008 Chen D14/240
D587,281 S 2/2009 Kim et al.
D587,282 S 2/2009 Kim et al.
D611,061 S * 3/2010 Nam et al. D14/510
D615,101 S * 5/2010 Nam et al. D14/499
D626,554 S * 11/2010 Sogabe D14/356
D633,098 S 2/2011 Kim et al.
2008/0310082 A1* 12/2008 Kutaragi et al. 361/679

* cited by examiner

Primary Examiner — Stella Reid

Assistant Examiner — Janice Lim

(74) *Attorney, Agent, or Firm* — Flynn, Thiel, Boutell & Tanis, P.C.

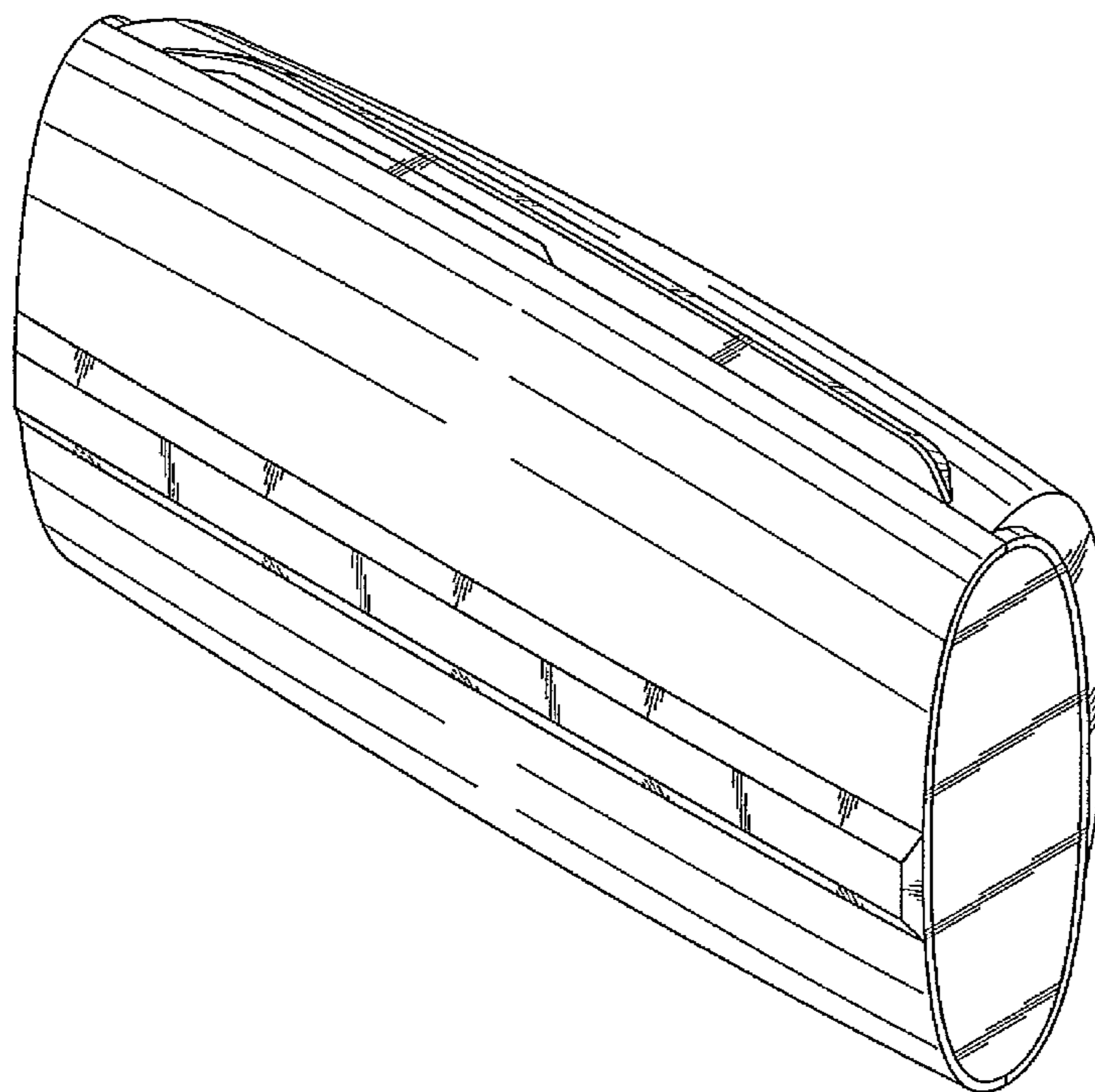
(57) **CLAIM**

The ornamental design for a blu-ray disk player, as shown and described.

DESCRIPTION

FIG. 1 is a top front perspective view of a blu-ray disk player showing our new design;
FIG. 2 is a front elevational view thereof;
FIG. 3 is a rear elevational view thereof;
FIG. 4 is a left side elevational view thereof;
FIG. 5 is a right side elevational view thereof;
FIG. 6 is a top plan view thereof; and,
FIG. 7 is a bottom plan view thereof.
The broken lines illustrating portions of the blu-ray disk player show unclaimed subject matter only and form no part of the claimed design.

1 Claim, 4 Drawing Sheets



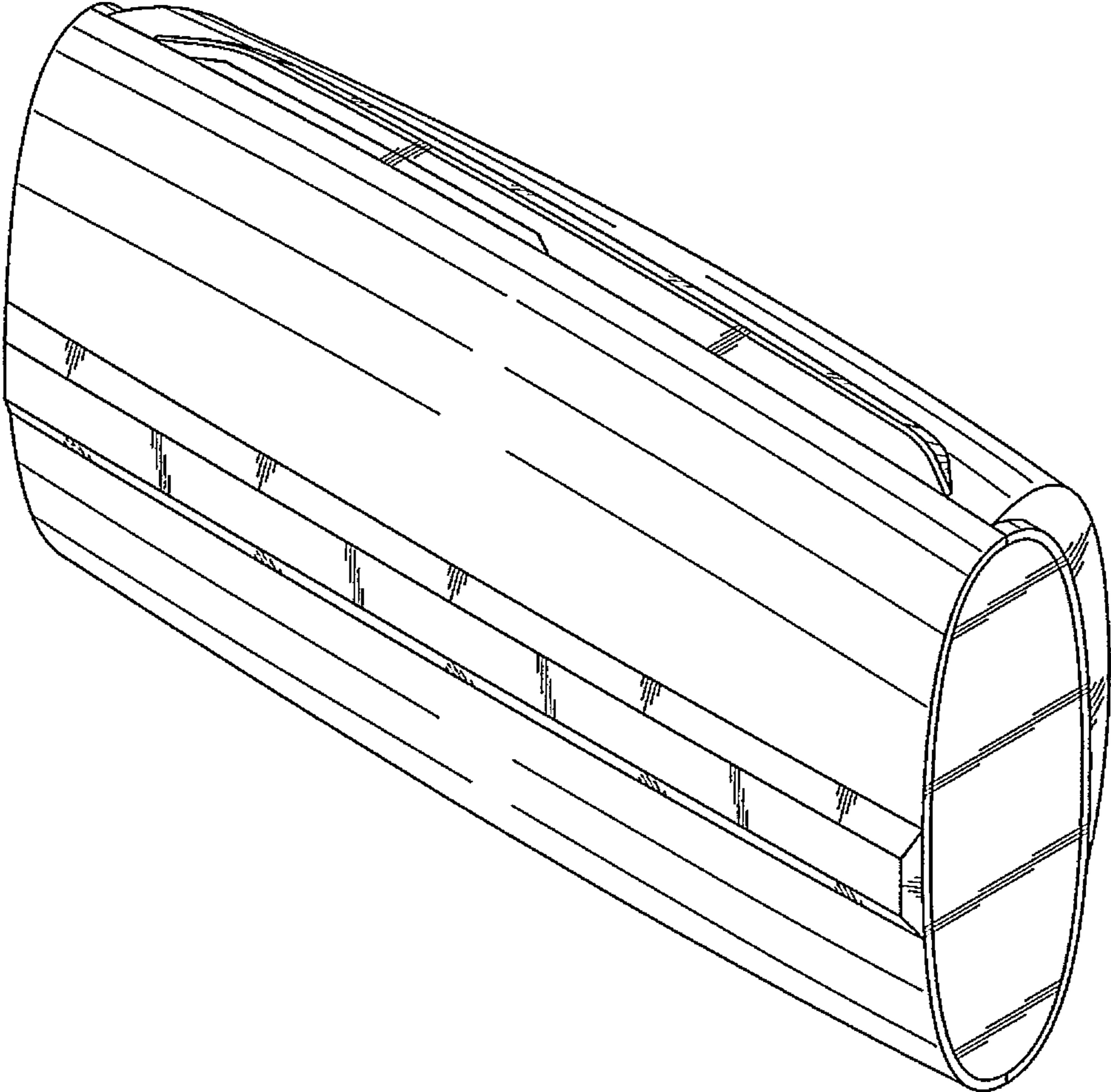


FIG. 1

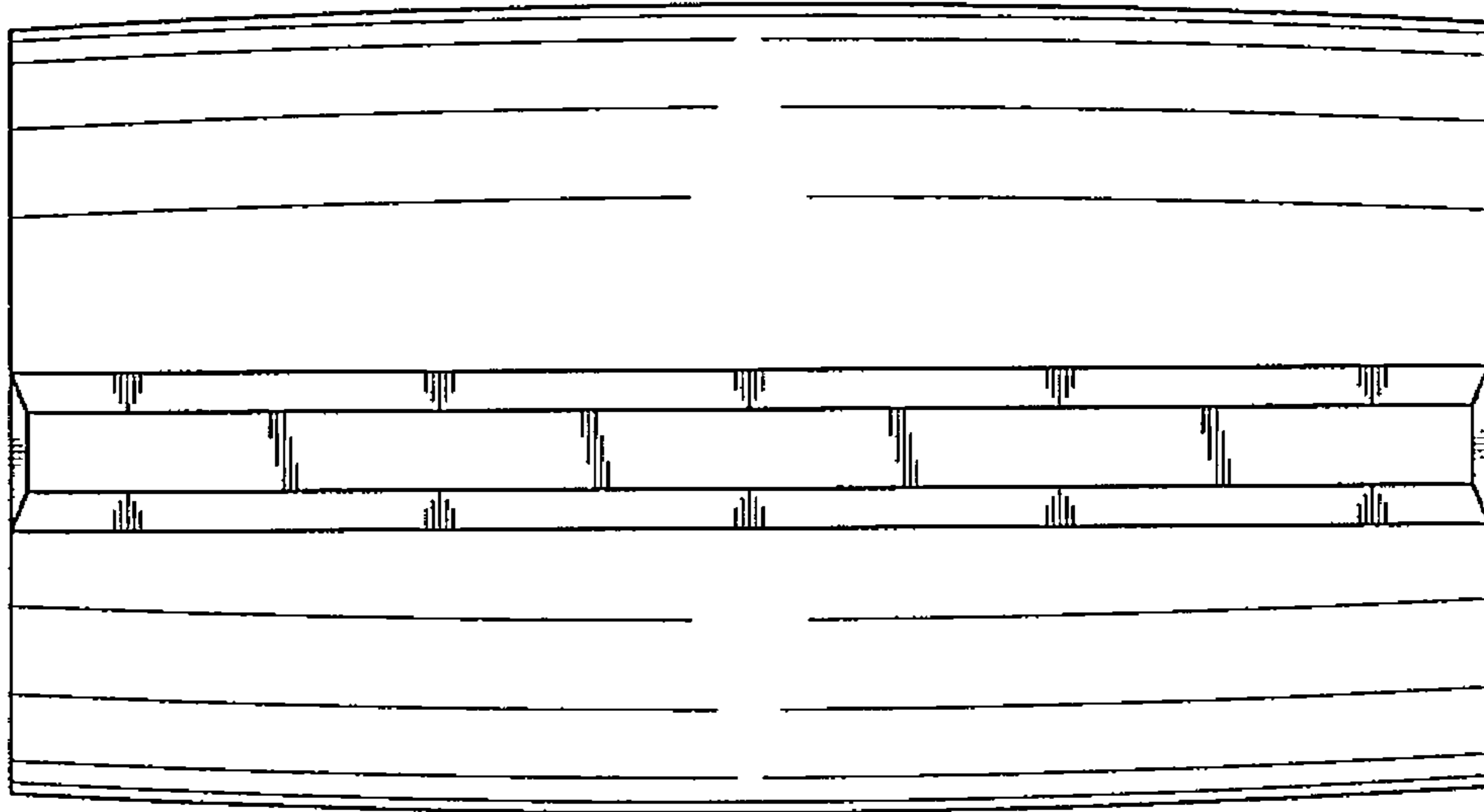


FIG. 2

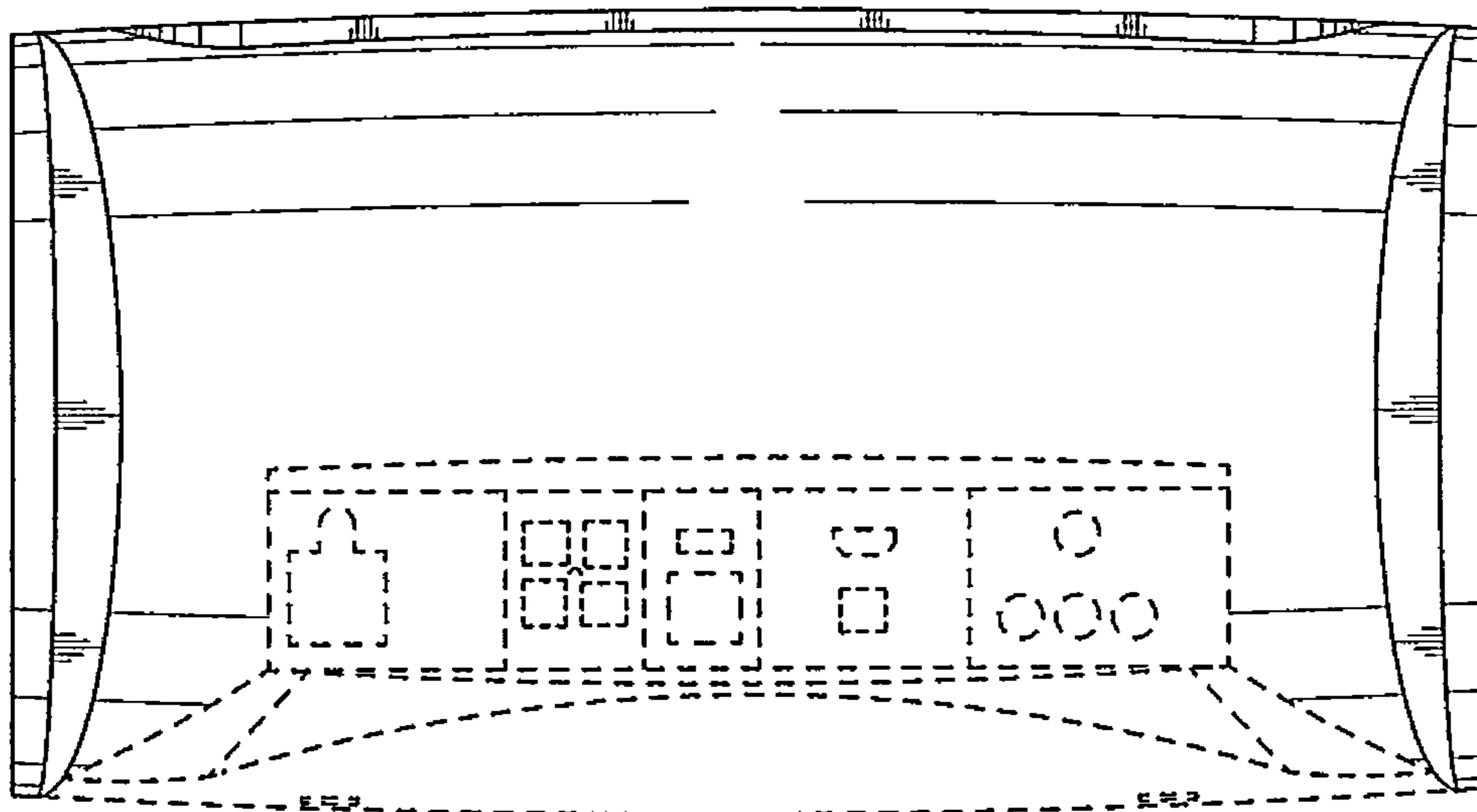


FIG. 3

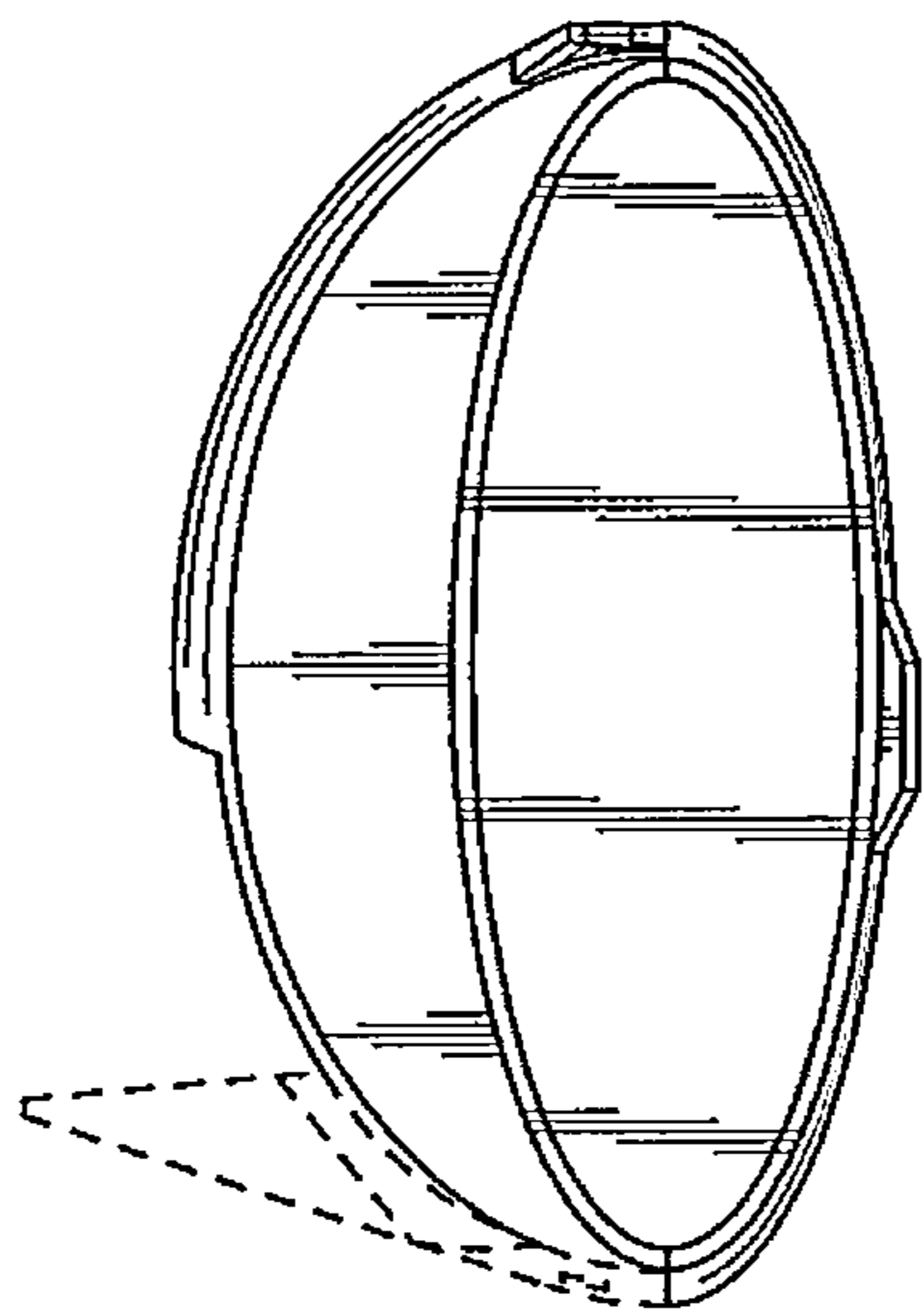


FIG. 4

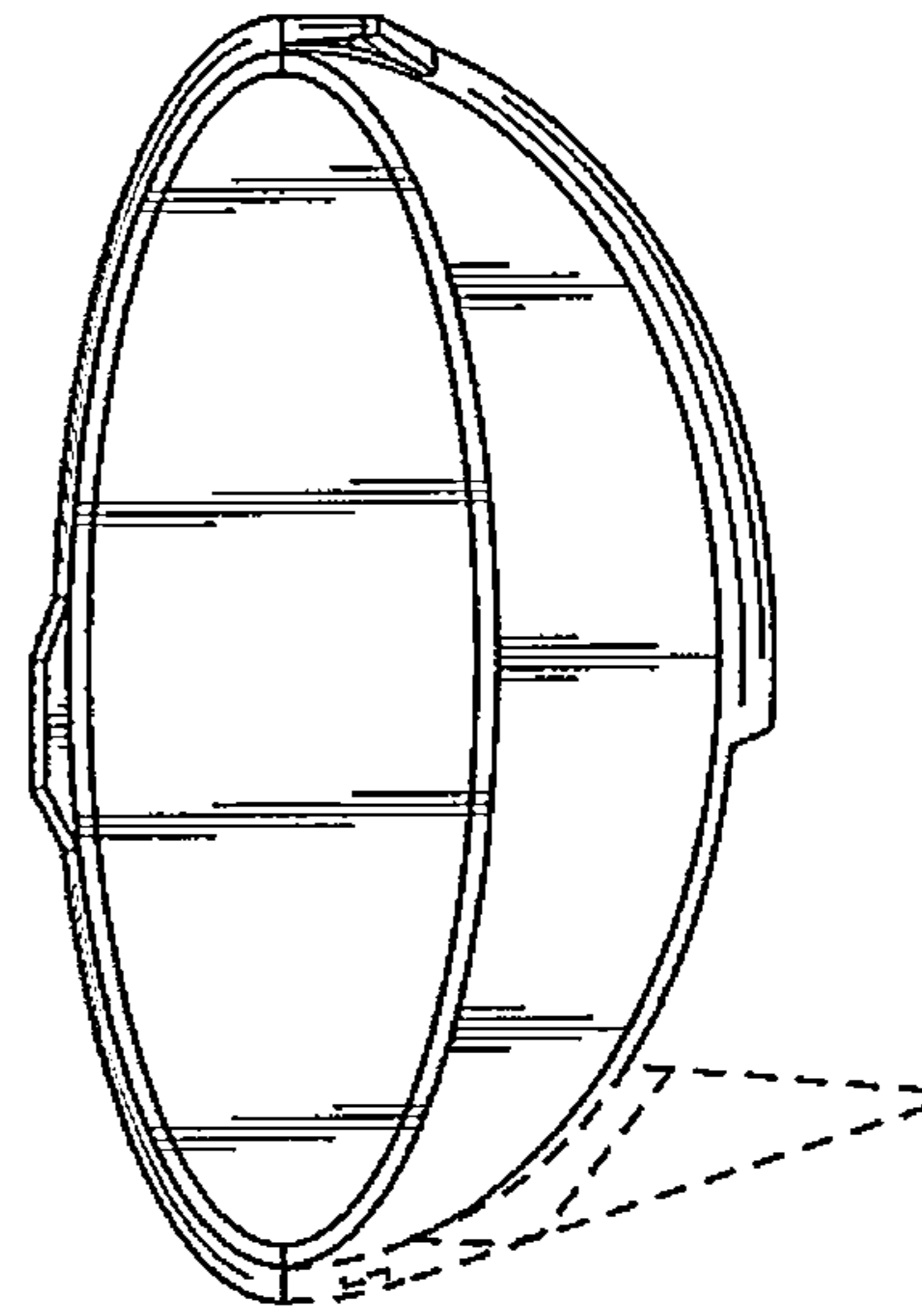


FIG. 5

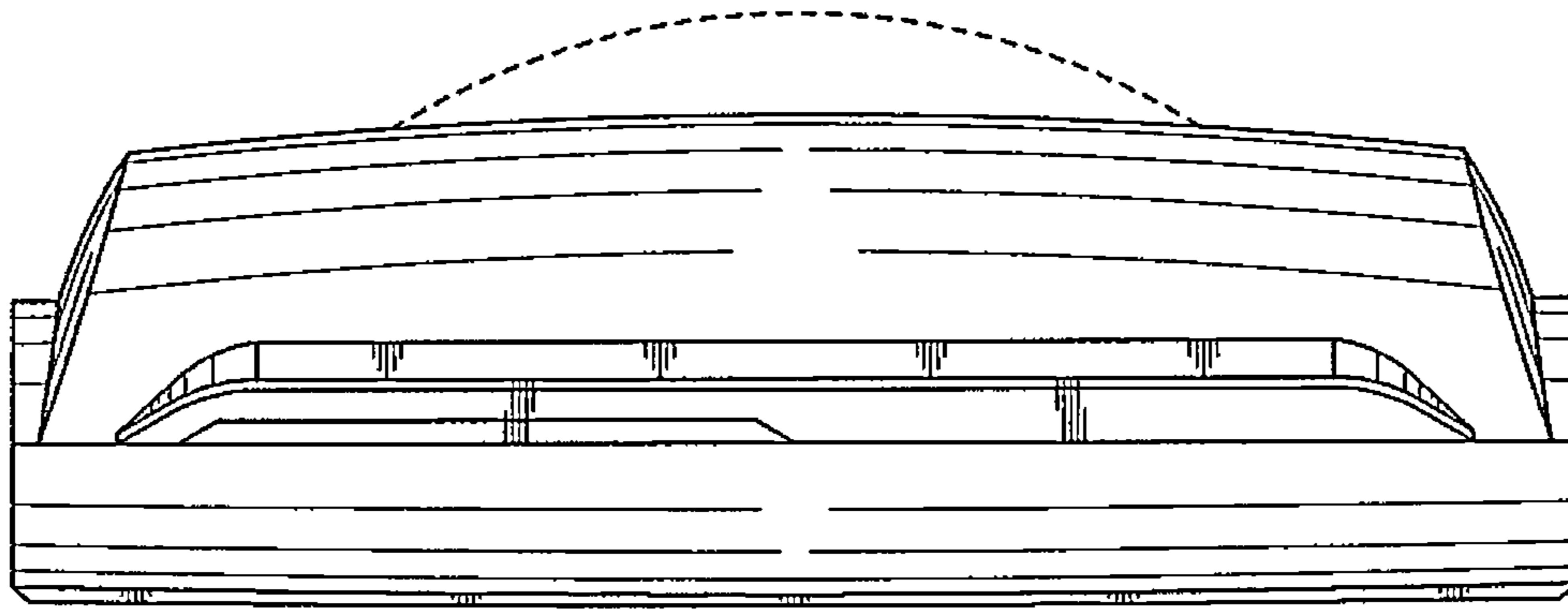


FIG. 6

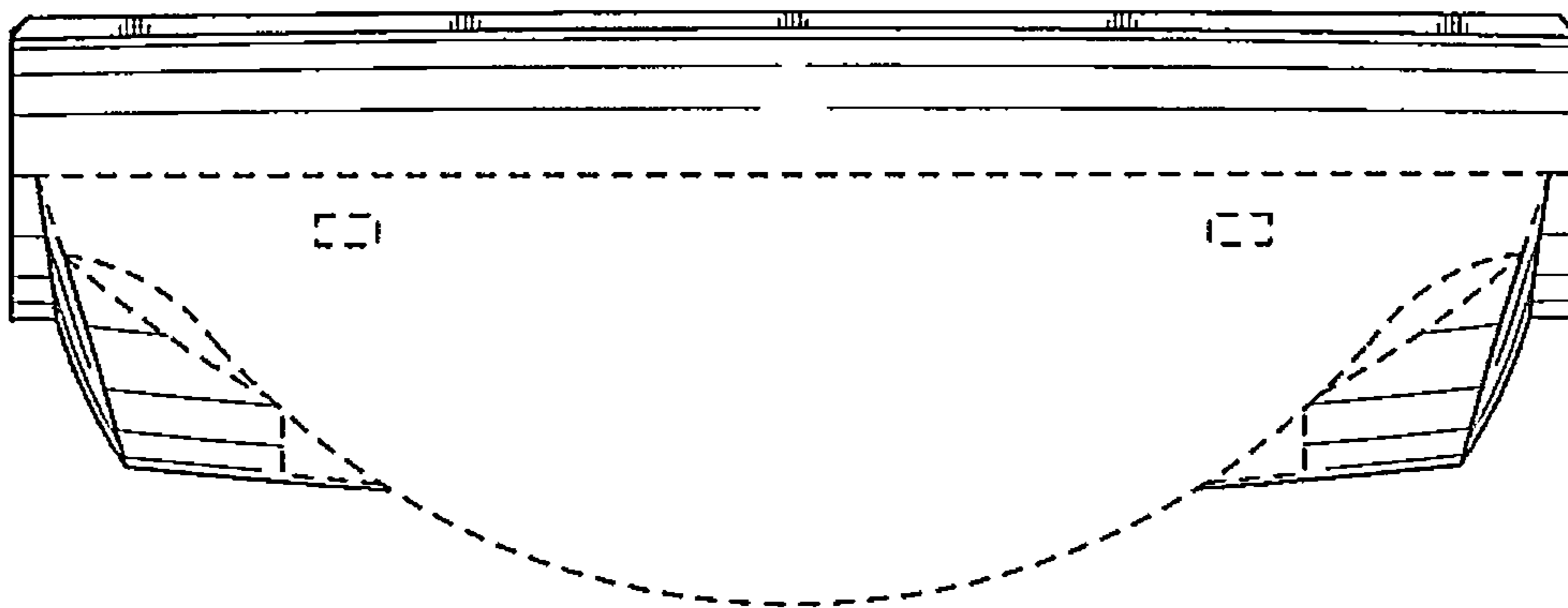


FIG. 7