



US00D711428S

(12) **United States Design Patent**
Bang et al.

(10) **Patent No.:** **US D711,428 S**

(45) **Date of Patent:** **** Aug. 19, 2014**

(54) **AV PLAYER**

(56) **References Cited**

(71) Applicant: **Samsung Electronics Co., Ltd.**,
Suwon-si (KR)

U.S. PATENT DOCUMENTS

(72) Inventors: **Sung-II Bang**, Seoul (KR); **Chae-Joo Son**, Seoul (KR); **Byung-Min Woo**,
Bucheon-Si (KR)

5,812,594	A *	9/1998	Rakib	375/219
5,914,707	A *	6/1999	Kono	345/173
6,052,472	A *	4/2000	Lo	381/123
6,483,428	B1 *	11/2002	Fish et al.	340/425.5
7,090,582	B2 *	8/2006	Danieli et al.	463/35
D541,811	S *	5/2007	Park	D14/496
D556,777	S *	12/2007	Hussaini et al.	D14/496
D560,689	S *	1/2008	Cho	D14/496
D620,028	S *	7/2010	Kim	D14/496
D626,564	S *	11/2010	Kim	D14/496
D630,228	S *	1/2011	Kim	D14/496
D650,394	S *	12/2011	Seoc et al.	D14/496
D693,369	S *	11/2013	Moon	D14/496

(73) Assignee: **Samsung Electronics Co., Ltd.**,
Suwon-si (KR)

(**) Term: **14 Years**

* cited by examiner

(21) Appl. No.: **29/457,638**

Primary Examiner — Prabhakar Deshmukh

(22) Filed: **Jun. 12, 2013**

(74) *Attorney, Agent, or Firm* — NSIP Law

(30) **Foreign Application Priority Data**

(57) **CLAIM**

The ornamental design for an AV player, as shown and described.

Dec. 13, 2012 (KR) 30-2012-0060281

DESCRIPTION

(51) **LOC (10) Cl.** **14-03**

FIG. 1 is a perspective view of an AV player, showing our new design;

(52) **U.S. Cl.**

FIG. 2 is a front view thereof;

USPC **D14/496**

FIG. 3 is a rear view thereof;

(58) **Field of Classification Search**

USPC D14/496, 401, 435, 474, 483, 217, 137,
D14/138, 160, 168, 356, 203.1-203.8, 507;
345/156, 169, 173-179, 905;
715/727-729, 864; 710/1, 5, 8; 713/1,
713/600; 455/1.1, 1.7, 73, 344-347, 93, 95,
455/3.01-3.06, 550.1, 573.1; 370/342-344;
369/1, 2, 6-12; 463/43-47; 273/148 B

FIG. 4 is a left-side view thereof;

FIG. 5 is a right-side view thereof;

FIG. 6 is a top plan view thereof; and,

FIG. 7 is a bottom plan view thereof.

The broken lines are for environmental purposes only and form no part of the claimed design. The shade lines in the figures show contour and not surface ornamentation. The diagonal lines in FIGS. 1-2 and 4-7 show a reflective surface. The dot-dash lines define unclaimed boundary of the claimed design and form no part of claimed design.

See application file for complete search history.

1 Claim, 5 Drawing Sheets

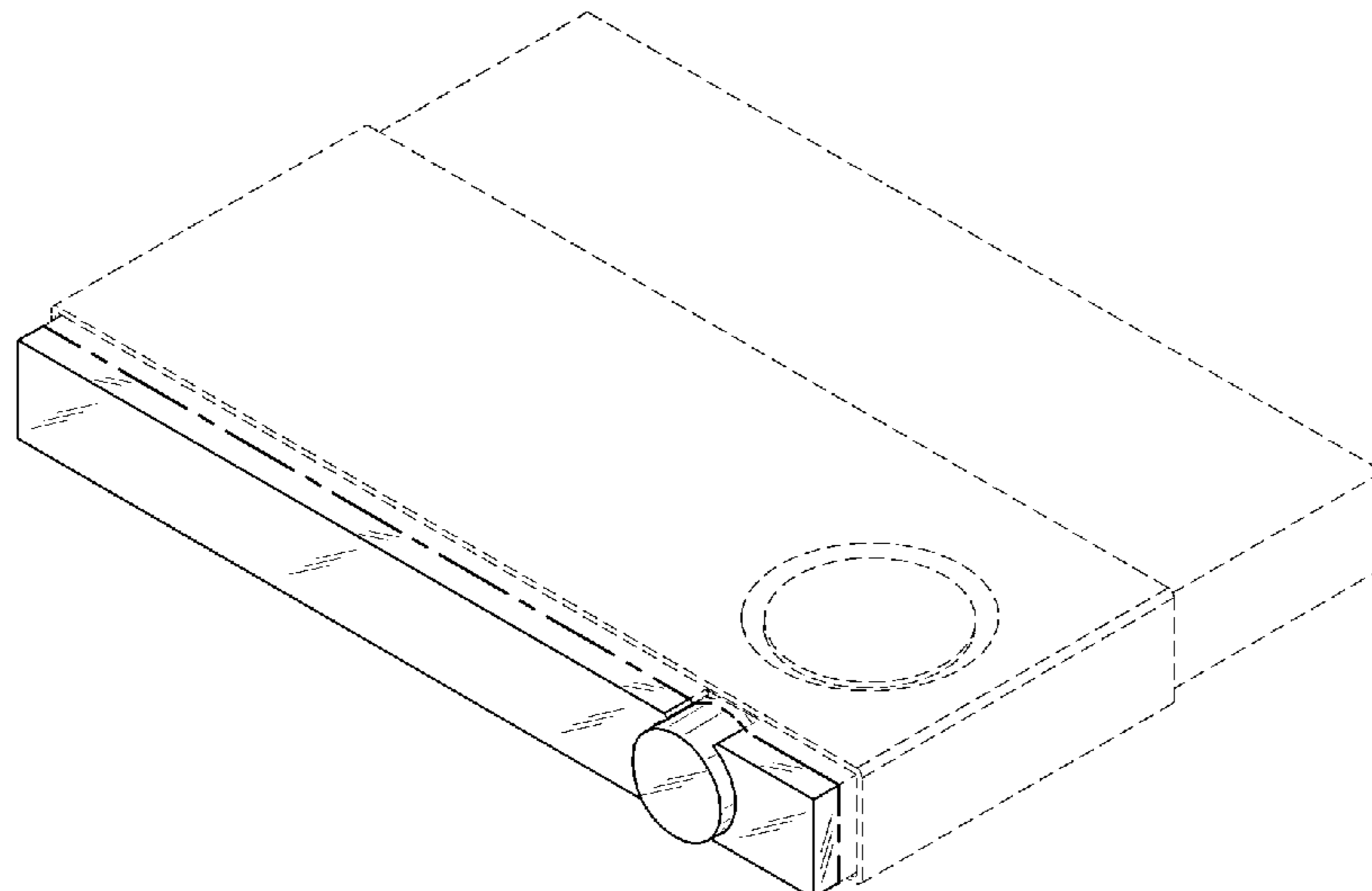


FIG. 1

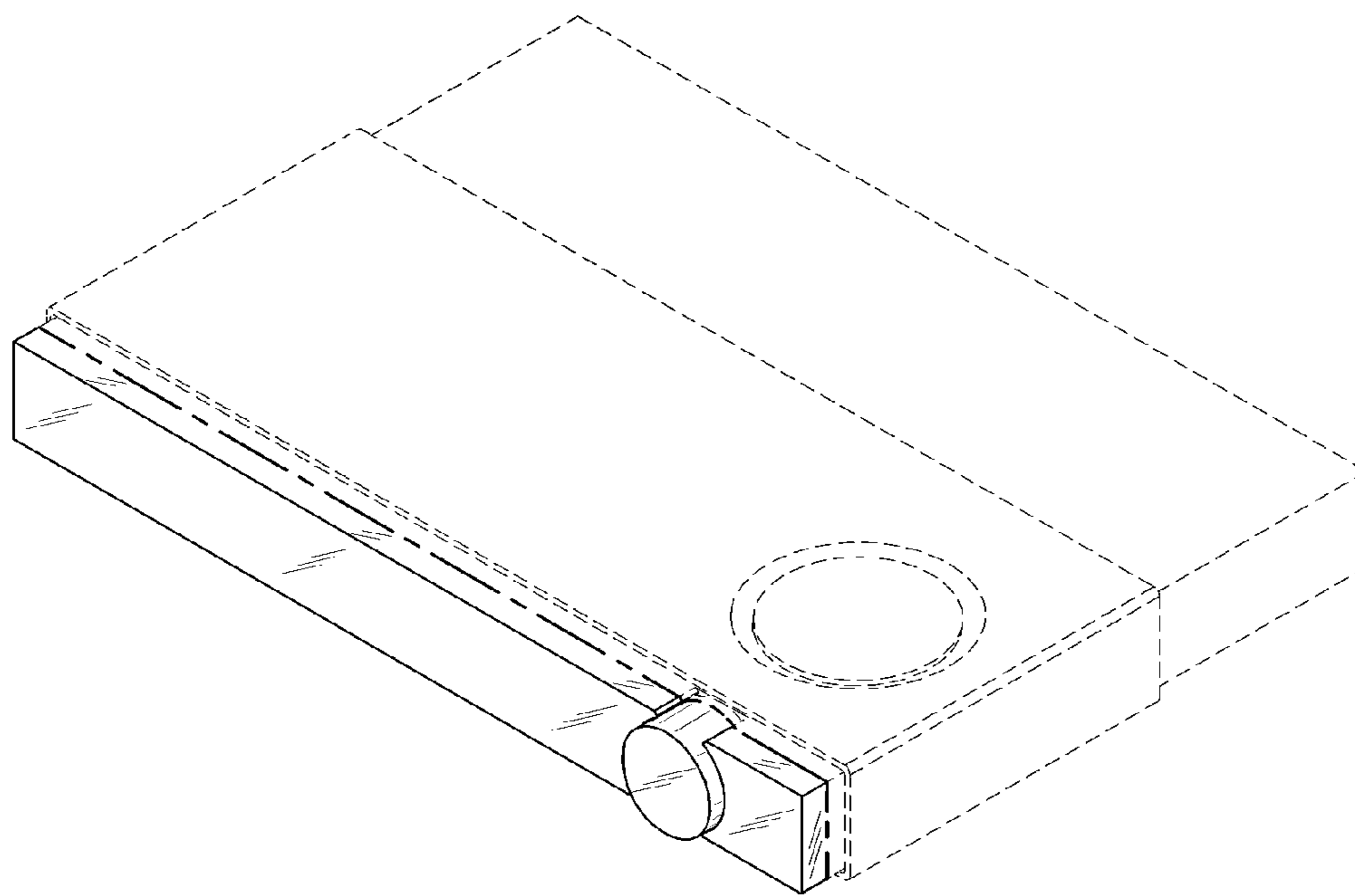


FIG.2

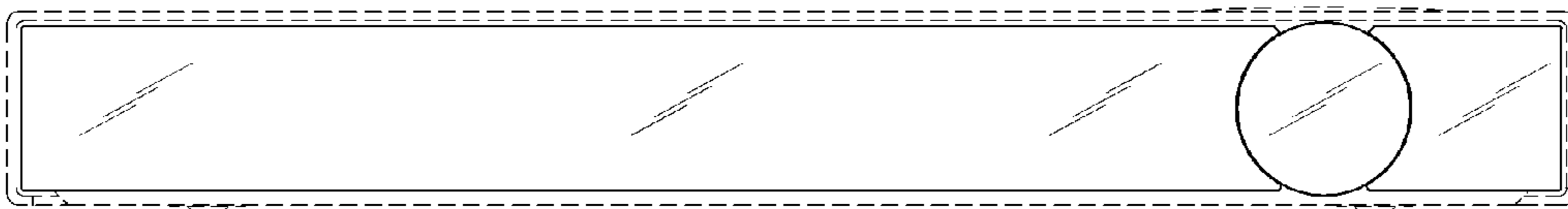


FIG.3



FIG. 4



FIG. 5



FIG.6

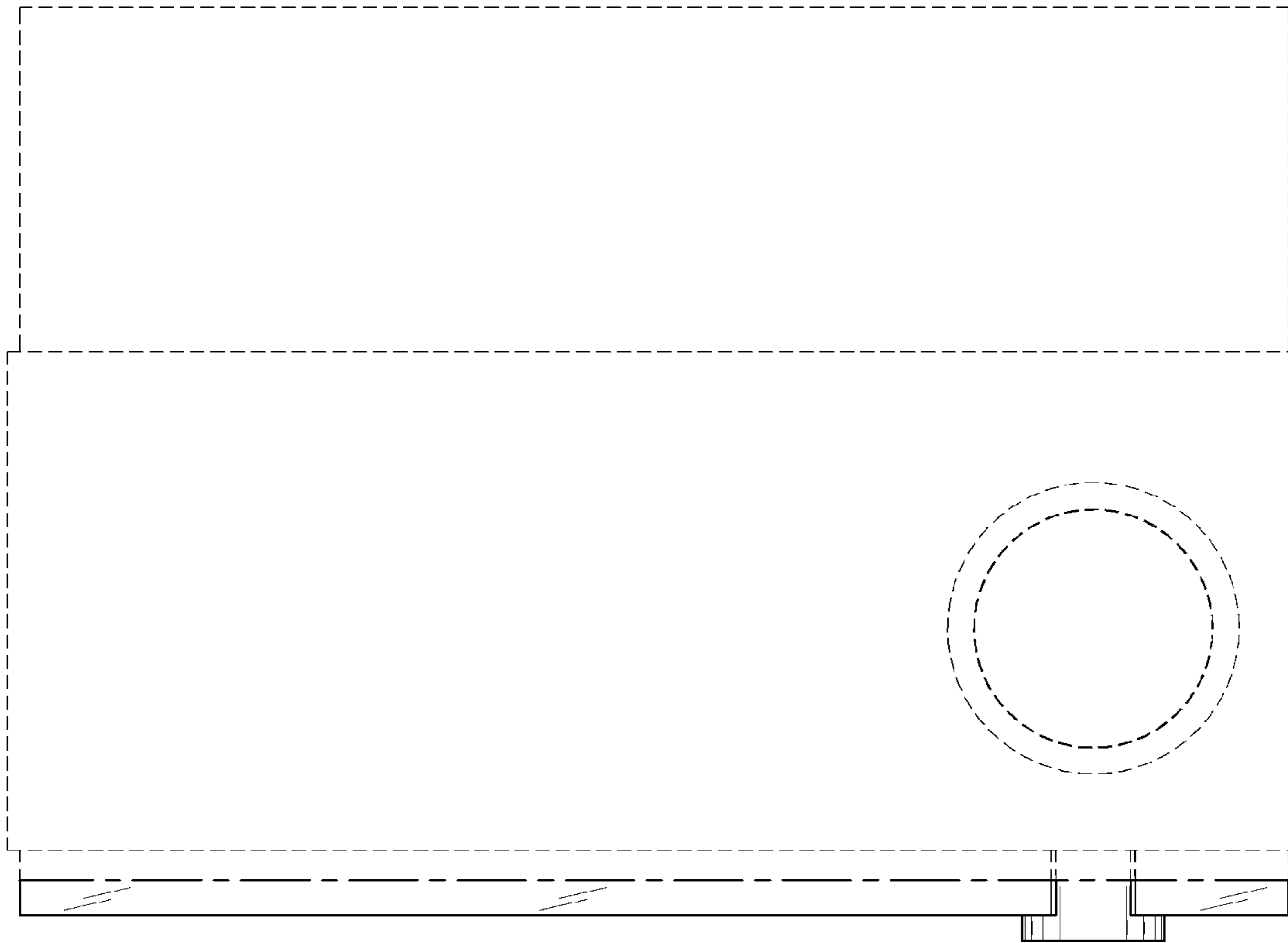


FIG. 7

