



US00D711407S

(12) **United States Design Patent**
Holz et al.

(10) **Patent No.:** **US D711,407 S**

(45) **Date of Patent:** **** Aug. 19, 2014**

(54) **DISPLAY SCREEN WITH GRAPHICAL USER INTERFACE**

(75) Inventors: **Elizabeth Ann Holz**, Seattle, WA (US);
Choon-mun Hooi, Seattle, WA (US);
Nelson Siu, Kirkland, WA (US)

(73) Assignee: **Microsoft Corporation**, Redmond, WA (US)

(**) Term: **14 Years**

(21) Appl. No.: **29/423,876**

(22) Filed: **Jun. 6, 2012**

(51) **LOC (10) Cl.** **14-04**

(52) **U.S. Cl.**
USPC **D14/486**

(58) **Field of Classification Search**
CPC G06F 3/048
USPC D14/485–495; 715/700–867, 961–978
See application file for complete search history.

(56) **References Cited**

U.S. PATENT DOCUMENTS

| | | | | |
|-----------|------|---------|------------------------|---------|
| 6,512,530 | B1 * | 1/2003 | Rzepkowski et al. | 715/833 |
| 6,522,342 | B1 * | 2/2003 | Gagnon et al. | 715/716 |
| D501,214 | S | 1/2005 | McLander et al. | |
| 6,925,606 | B2 * | 8/2005 | Shaw et al. | 715/749 |
| D604,313 | S * | 11/2009 | Hoefnagels et al. | D14/487 |
| D604,315 | S * | 11/2009 | Hoefnagels et al. | D14/487 |
| D616,450 | S * | 5/2010 | Simons et al. | D14/486 |
| 7,930,635 | B2 * | 4/2011 | Mann et al. | 715/700 |
| D659,706 | S * | 5/2012 | David et al. | D14/487 |
| D665,402 | S | 8/2012 | Williams et al. | |

OTHER PUBLICATIONS

Screenshot portion from Microsoft Outlook 2010. Original disclosure date unknown but prior to the filing of the present application.

* cited by examiner

Primary Examiner — Ian Simmons

Assistant Examiner — Richelle G Shelton

(74) *Attorney, Agent, or Firm* — Banner & Witcoff, Ltd.

(57) **CLAIM**

The ornamental design for a display screen with graphical user interface, as shown and described.

DESCRIPTION

FIG. 1 is a front view of a display screen with graphical user interface showing our new design;

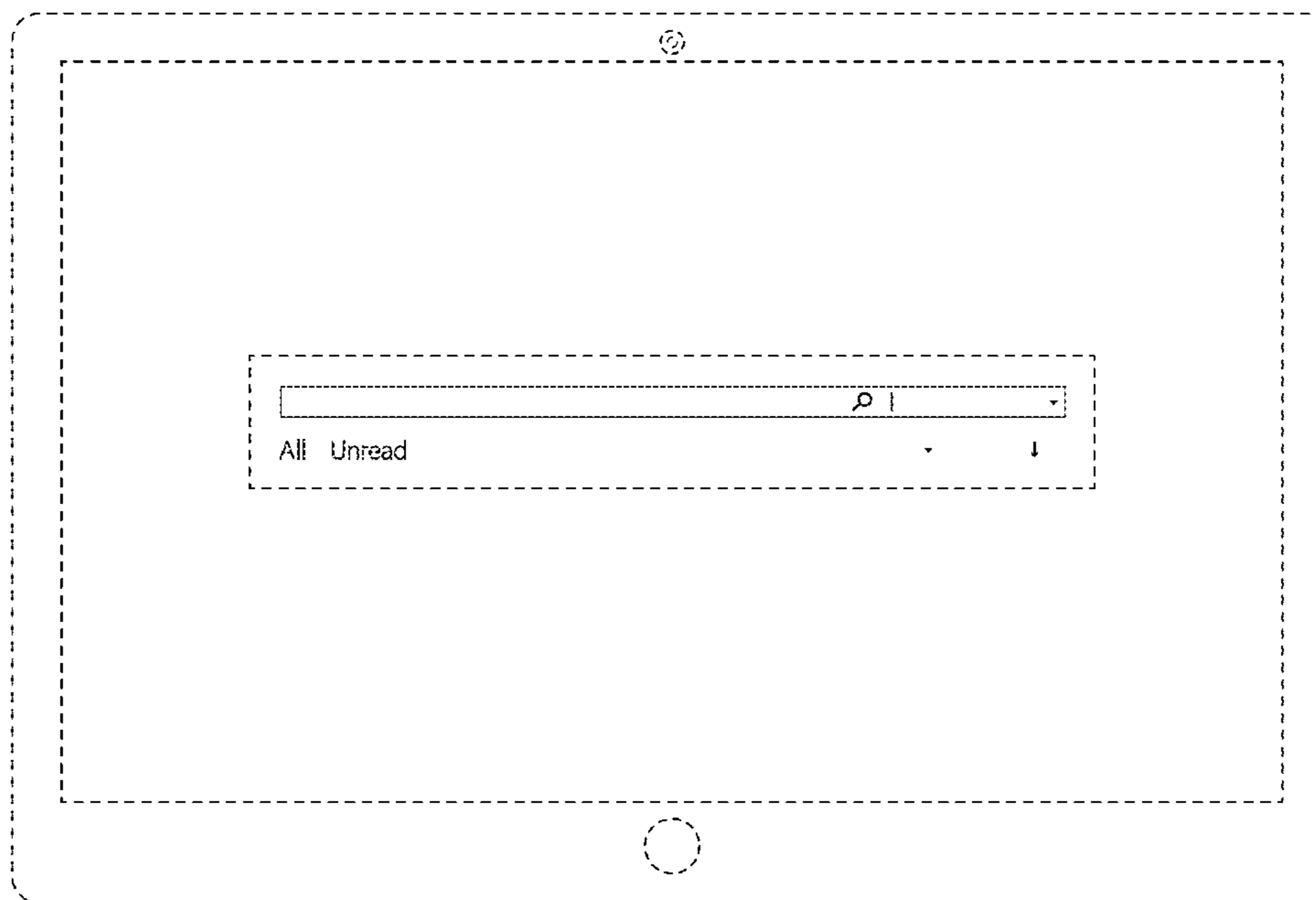
FIG. 2 is a front view of a display screen with graphical user interface of FIG. 1 with a region for enlargement indicated by broken-line indicia;

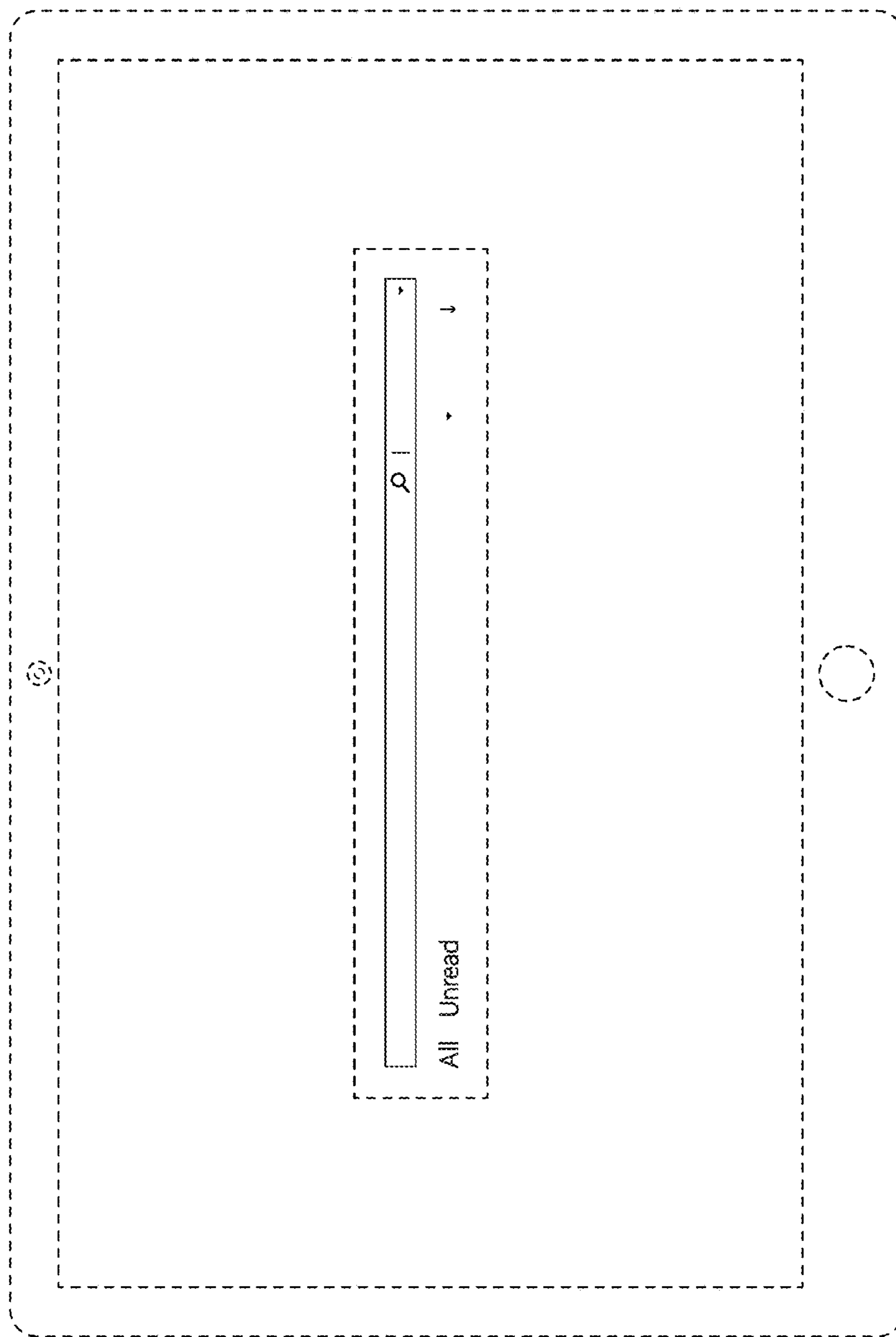
FIG. 3 is an enlarged view of the region indicated by the broken-line indicia in FIG. 2; and,

FIG. 4 is an enlarged view of another region indicated by the broken-line indicia in FIG. 2.

The “FIG. 3” and “FIG. 4” indicia shown in FIG. 2, as well as the rectangles both identifying and displaying the enlarged regions of the graphical user interface form no part of the claimed design. The broken line showing of the remainder of the graphical user interface and display screen is for environmental purposes only and forms no part of the claimed design.

1 Claim, 4 Drawing Sheets





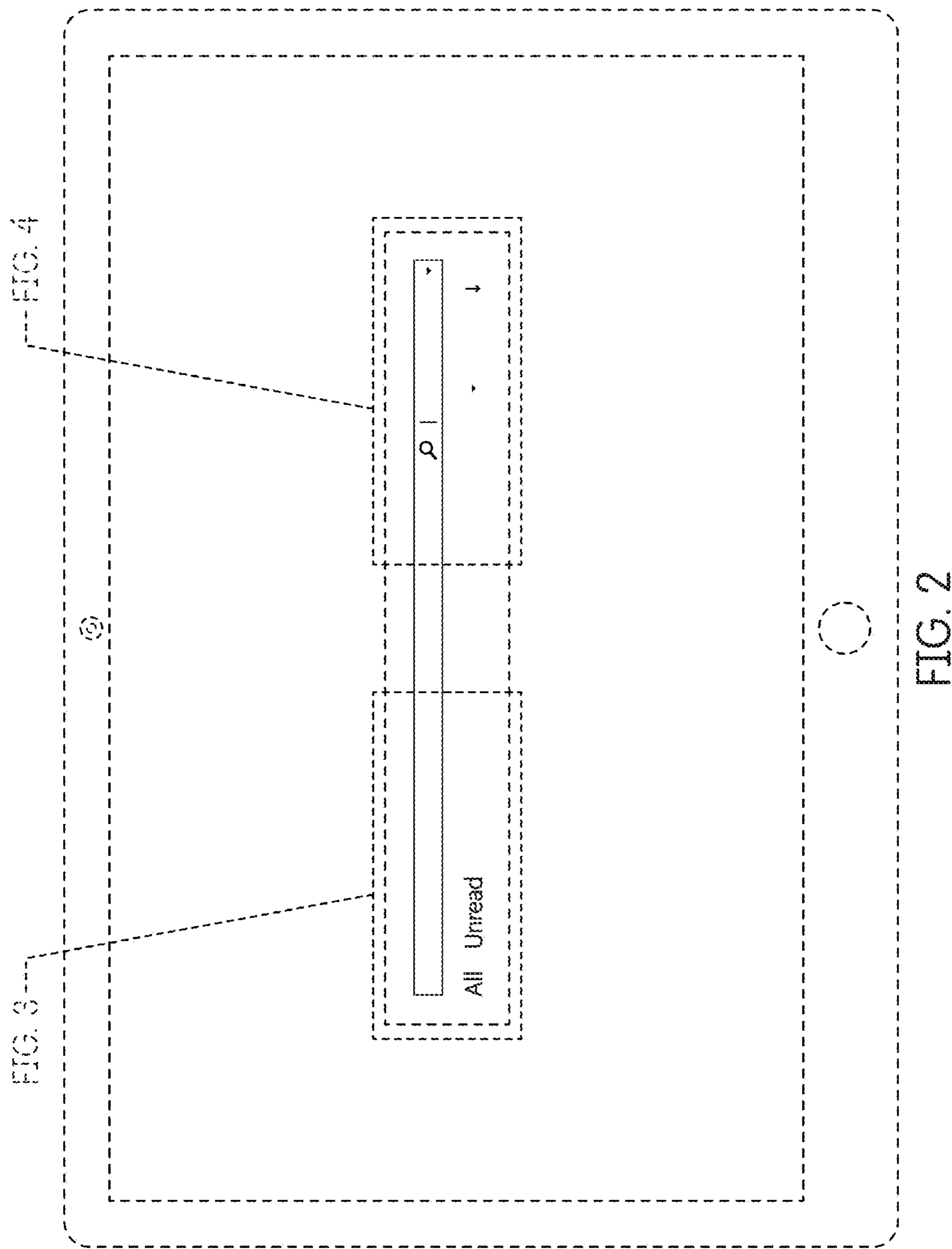




FIG. 3

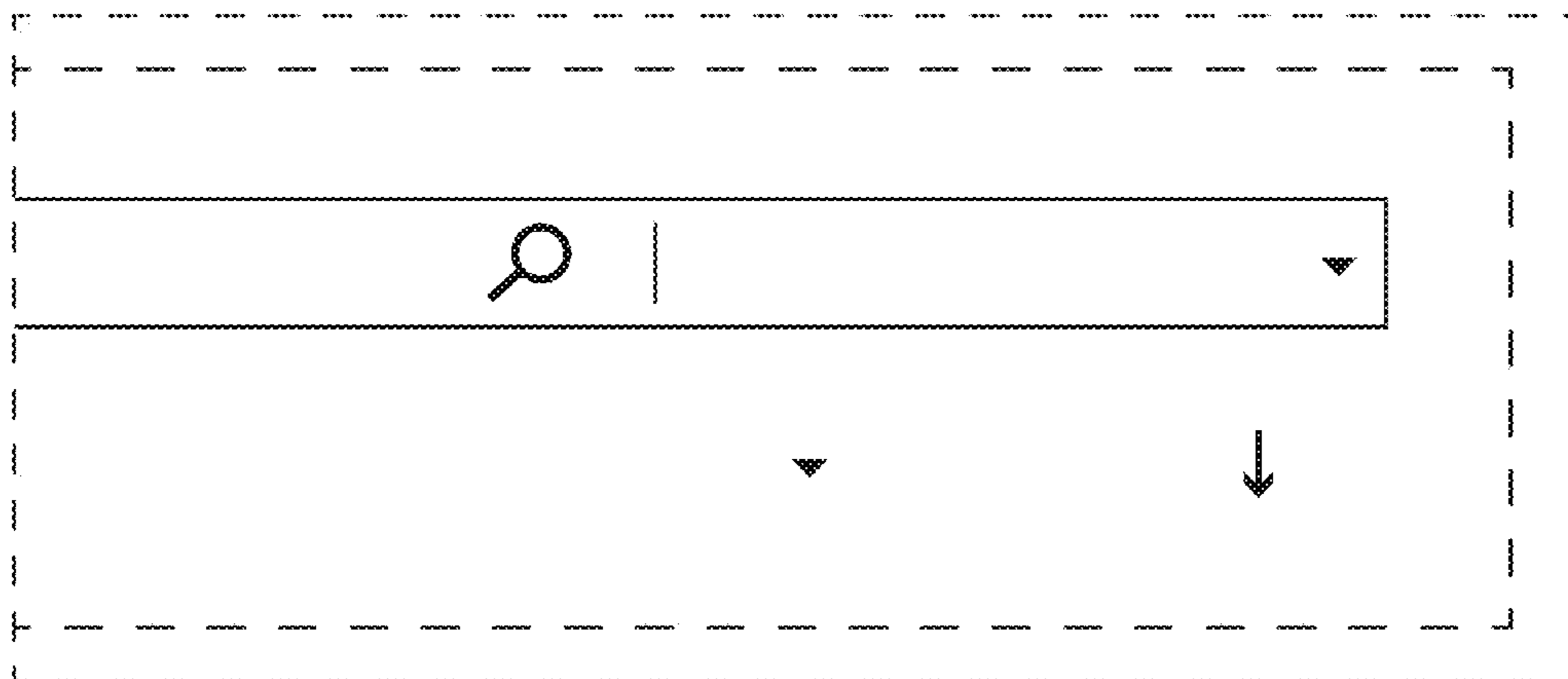


FIG. 4